

Installation Instruction



Product name

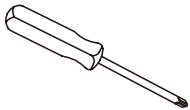
End Table

Assembling

What you need

- Use the packaging carton as a working surface to prevent product damage during assembly

- Phillips head screwdriver



What's included

Code	Description	Qty
A	Screw M4X14MM	2
B	Nylon Strap	2
C	Screw M4X35MM	2
D	Anchor M6X30MM	2

Weight Limitation

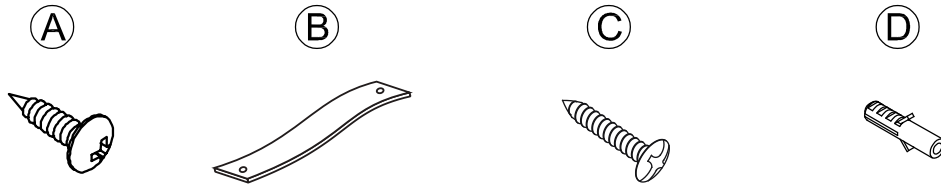


44 | 44 | 11
lbs table top | lbs per Shelf | lbs per drawer



2 PERSONS

The Hardware



IMPORTANT:

1. Do not tighten bolts / screws completely until all bolts / screws are lined up and inserted into holes.
2. Do not over tighten screws and bolts to avoid stripping.
3. Please use hand tools to assemble this product. Do not use power tools.
4. Must need 2 people to assemble this product.

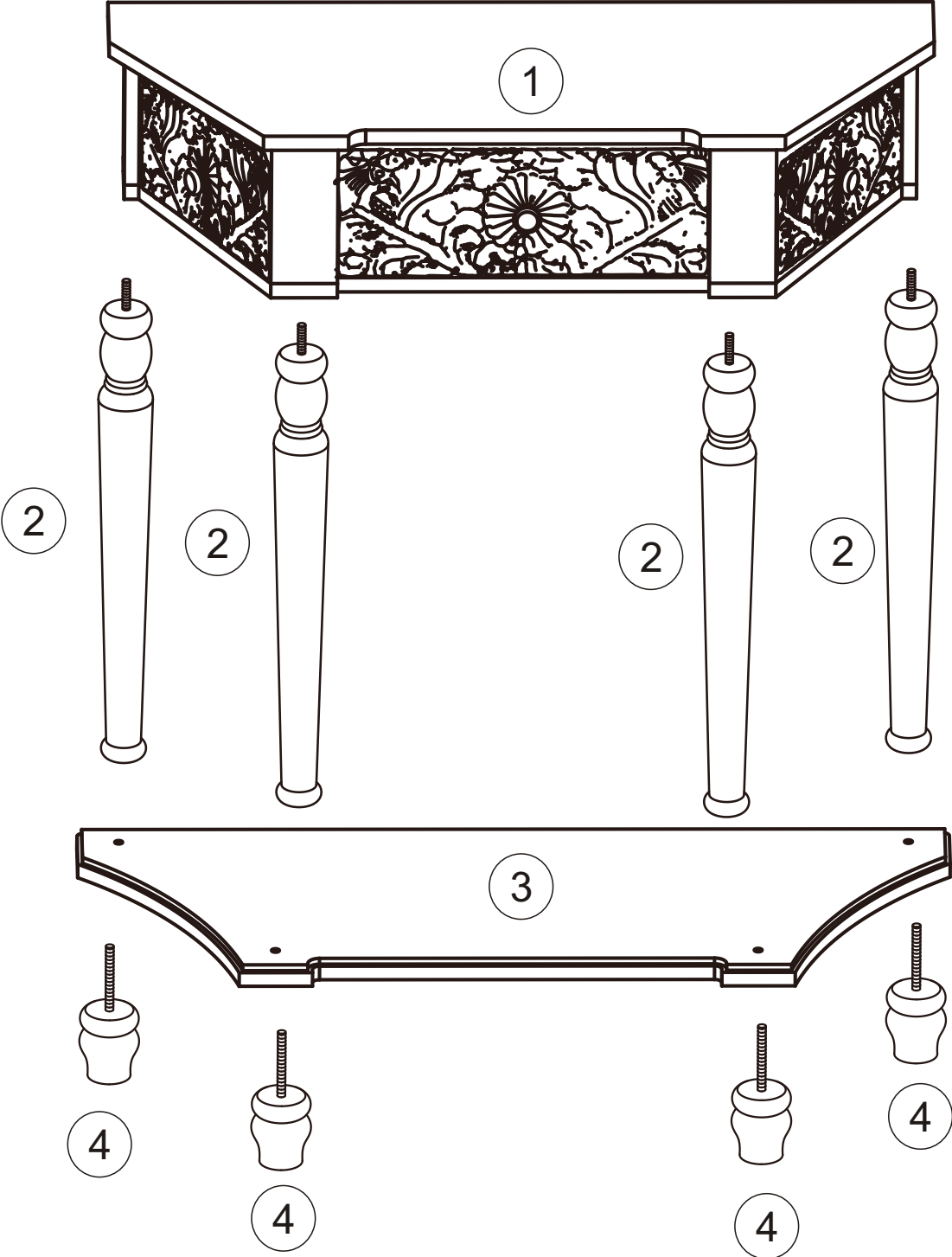


2 PERSONS

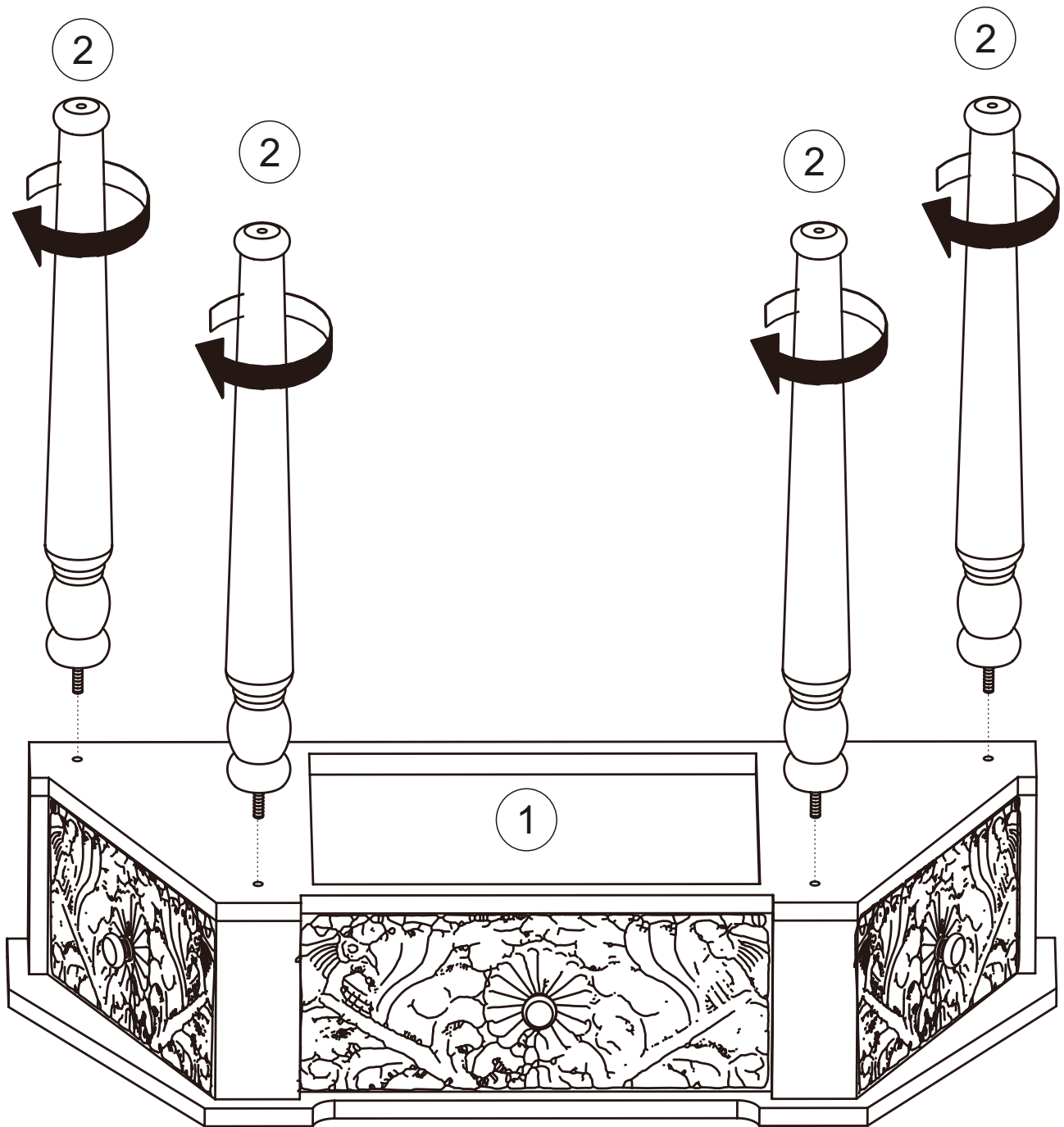
Included Accessories

Code	Description	Qty
1	Cabinet Top	1
2	Long Wood Feet	4
3	Shelf Panel	1
4	Small Wood Feet	4

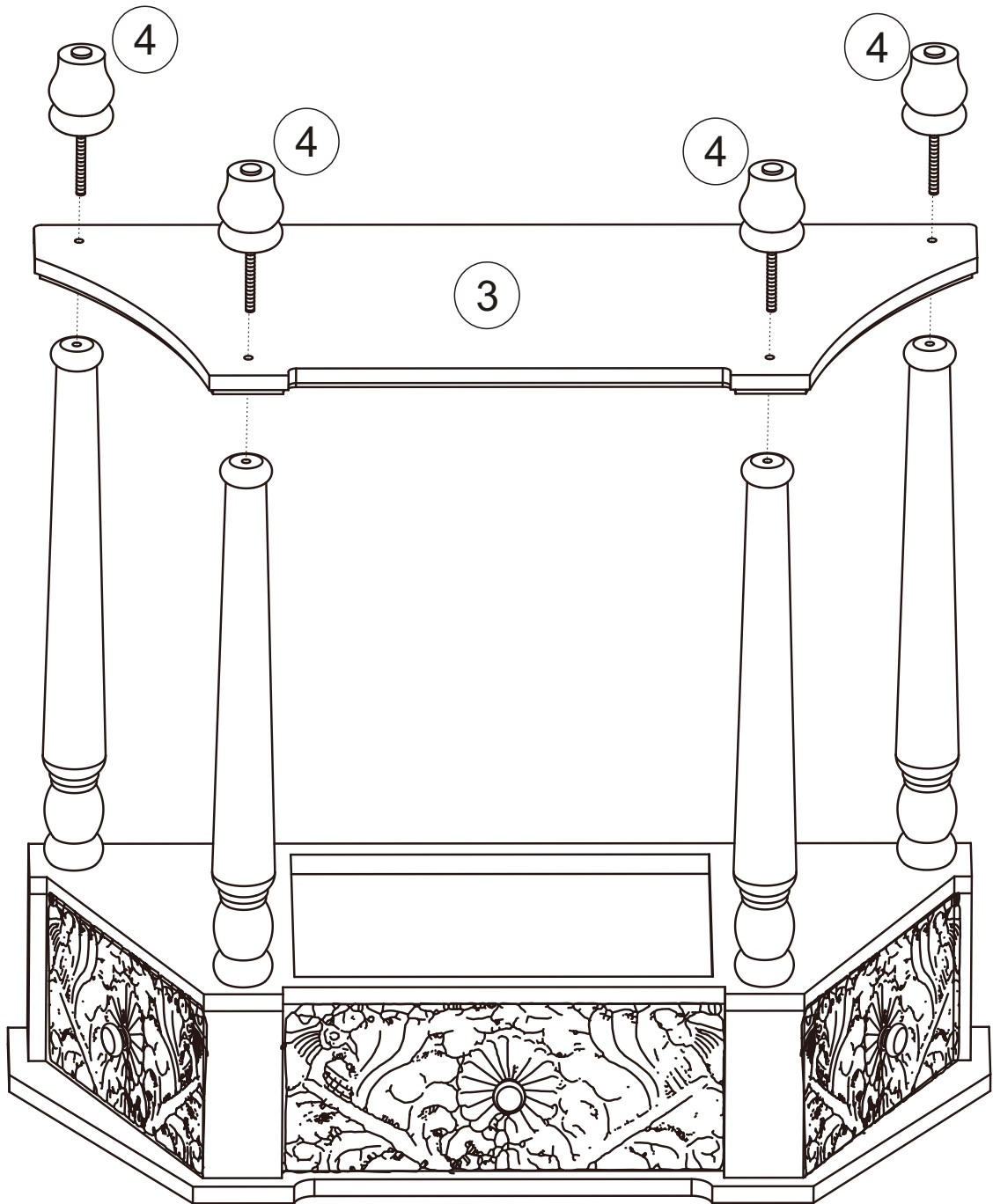
The Accessoriess



STEP 1



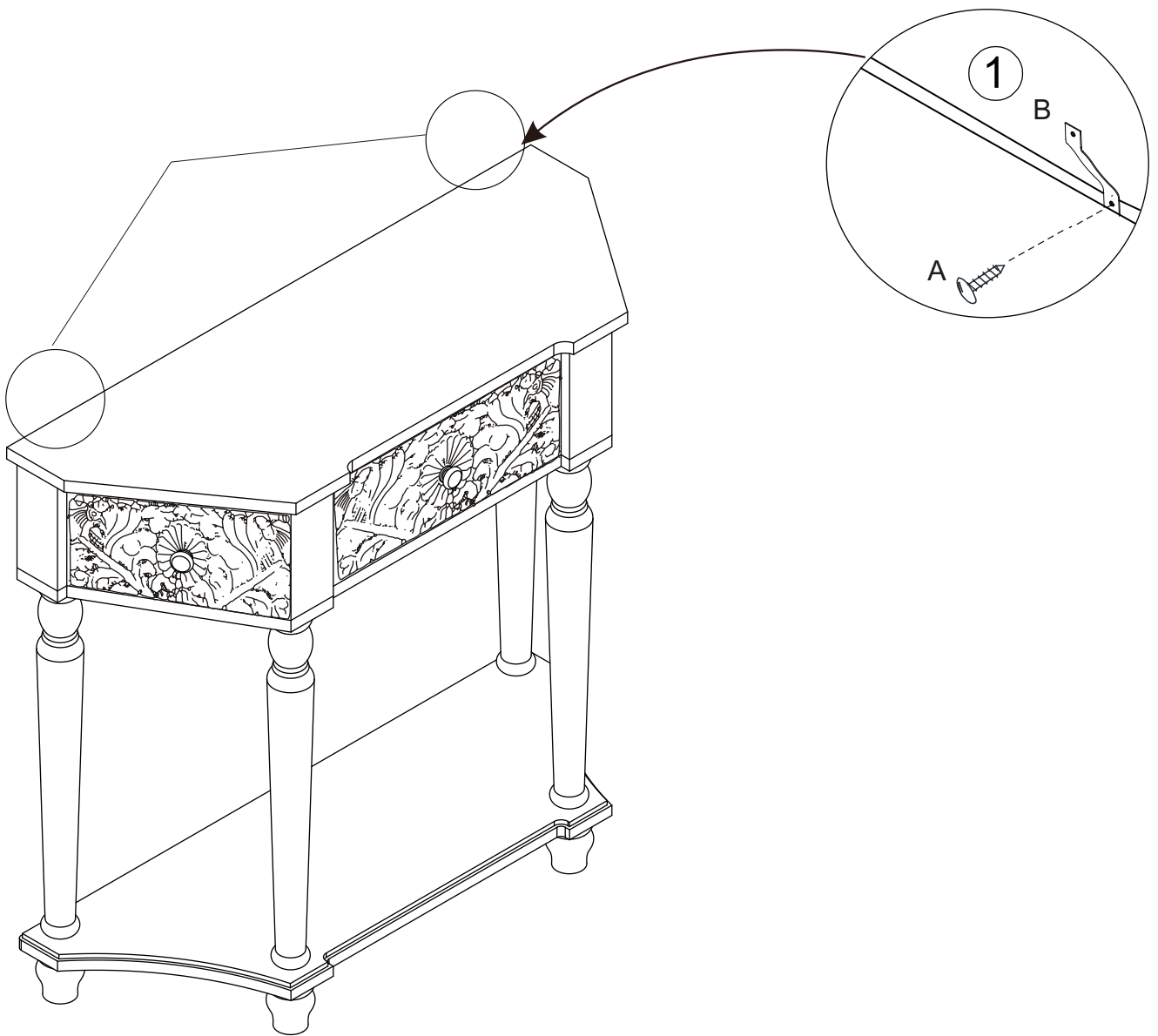
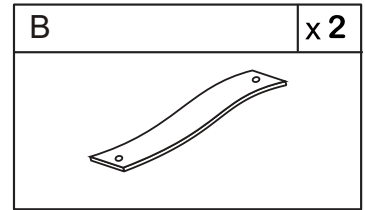
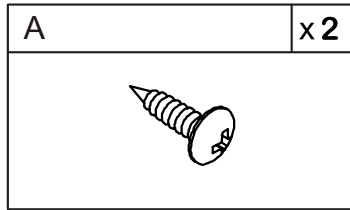
STEP 2



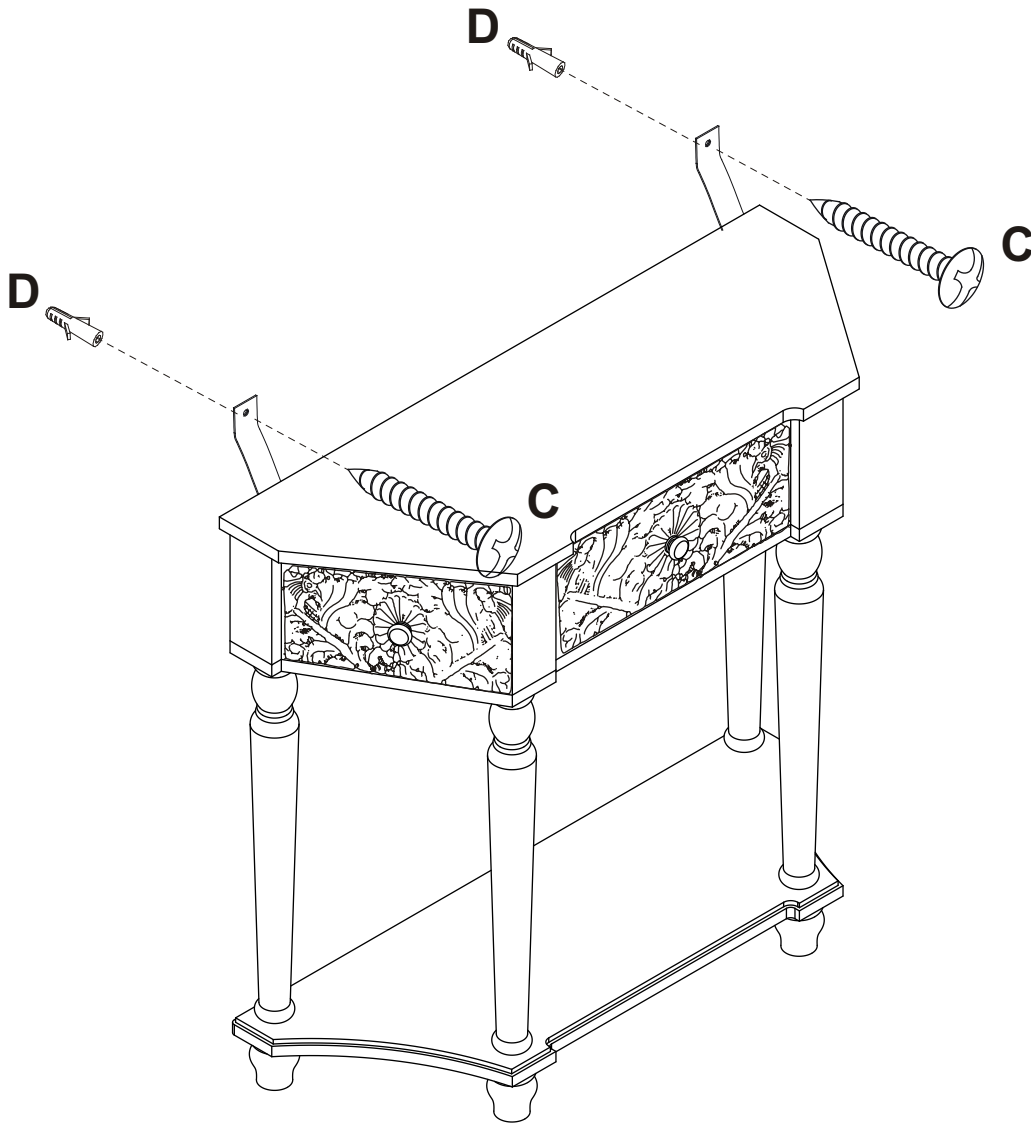
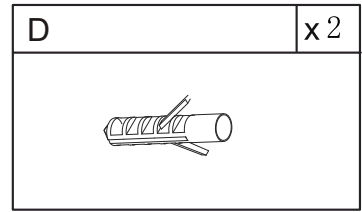
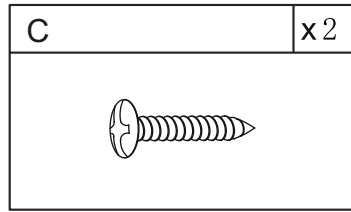
STEP 3



STEP 4



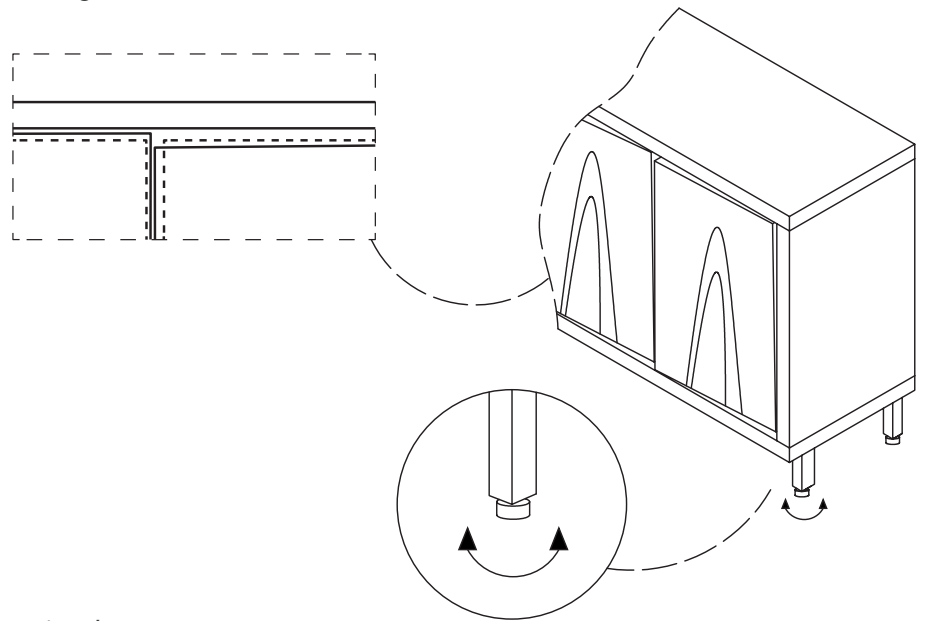
STEP 5



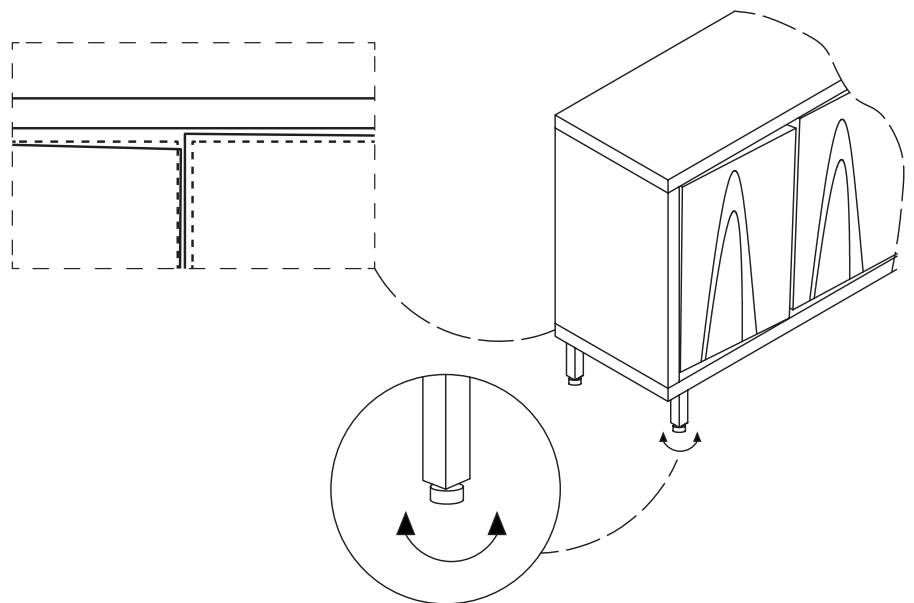
Is your cabinet door looking crooked or unevenly spaced? (Cont.)

If you're still having trouble lining everything up, your next step should be to try to adjust the feet slightly to square up the cabinet & doors. Follow the illustrations below:

If the right door appears to be hanging low, you can adjust the adjustable leveler on the front right until the door is better aligned.



If the left door appears to be hanging low, you can adjust the adjustable leveler on the front left until the door is better aligned.



Proper Use

- DO NOT** use for commercial purposes
- DO NOT** use as a step stool or stand on table
- DO NOT** put hot serving liquid directly on the table top
- DO NOT** leave spilled liquid on the table top
- DO NOT** use table if damaged
- DO NOT** exceed weight limit
- DO NOT** make temporary repairs
- DO NOT** use outdoor

Dear Customer:

Thank you for purchasing our product,we wish you satisfy our service,if you have any further questions or any quality issues,please show the belows number and don't hesitate to contact our Customer Service People: