


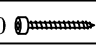

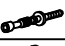


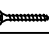
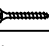






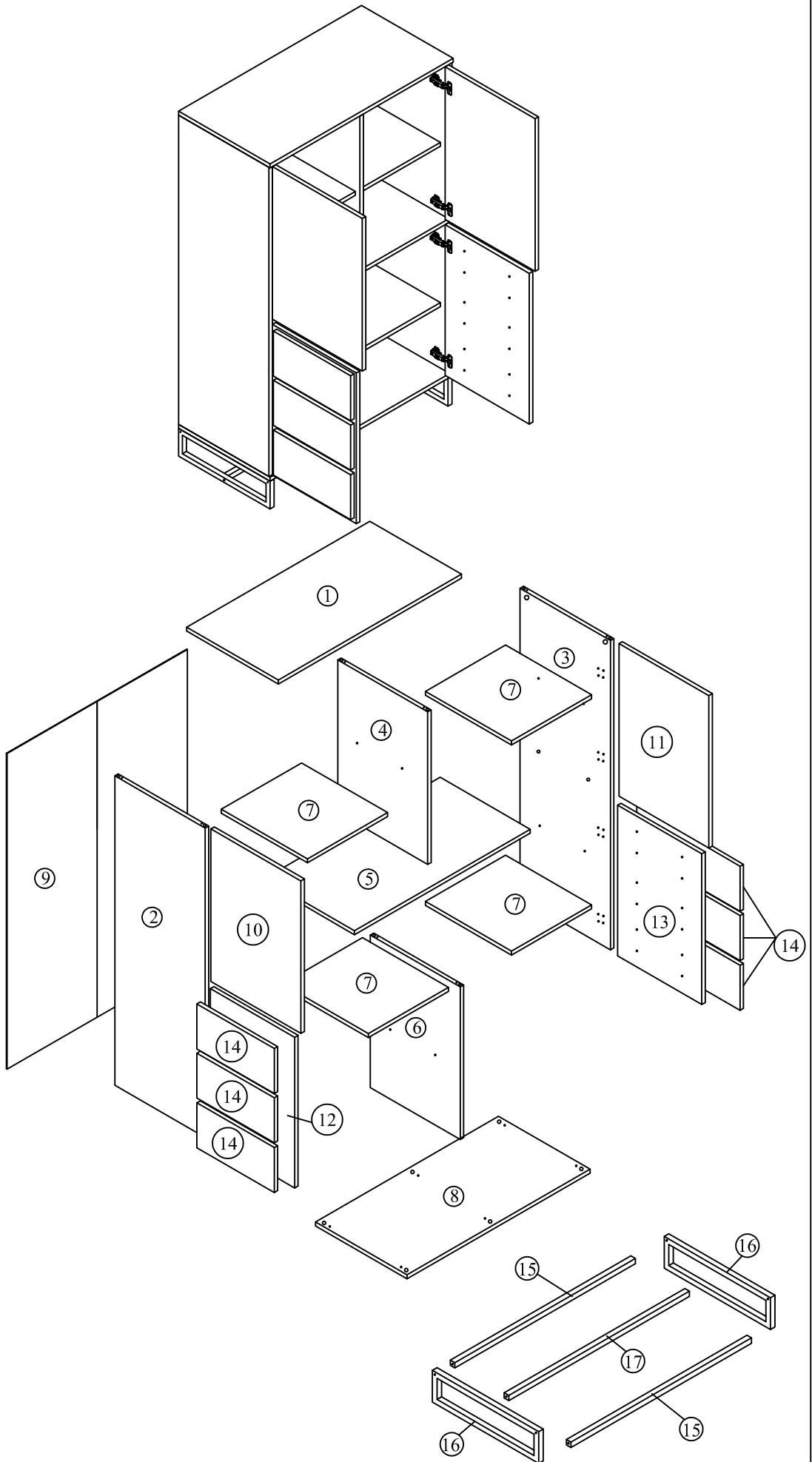


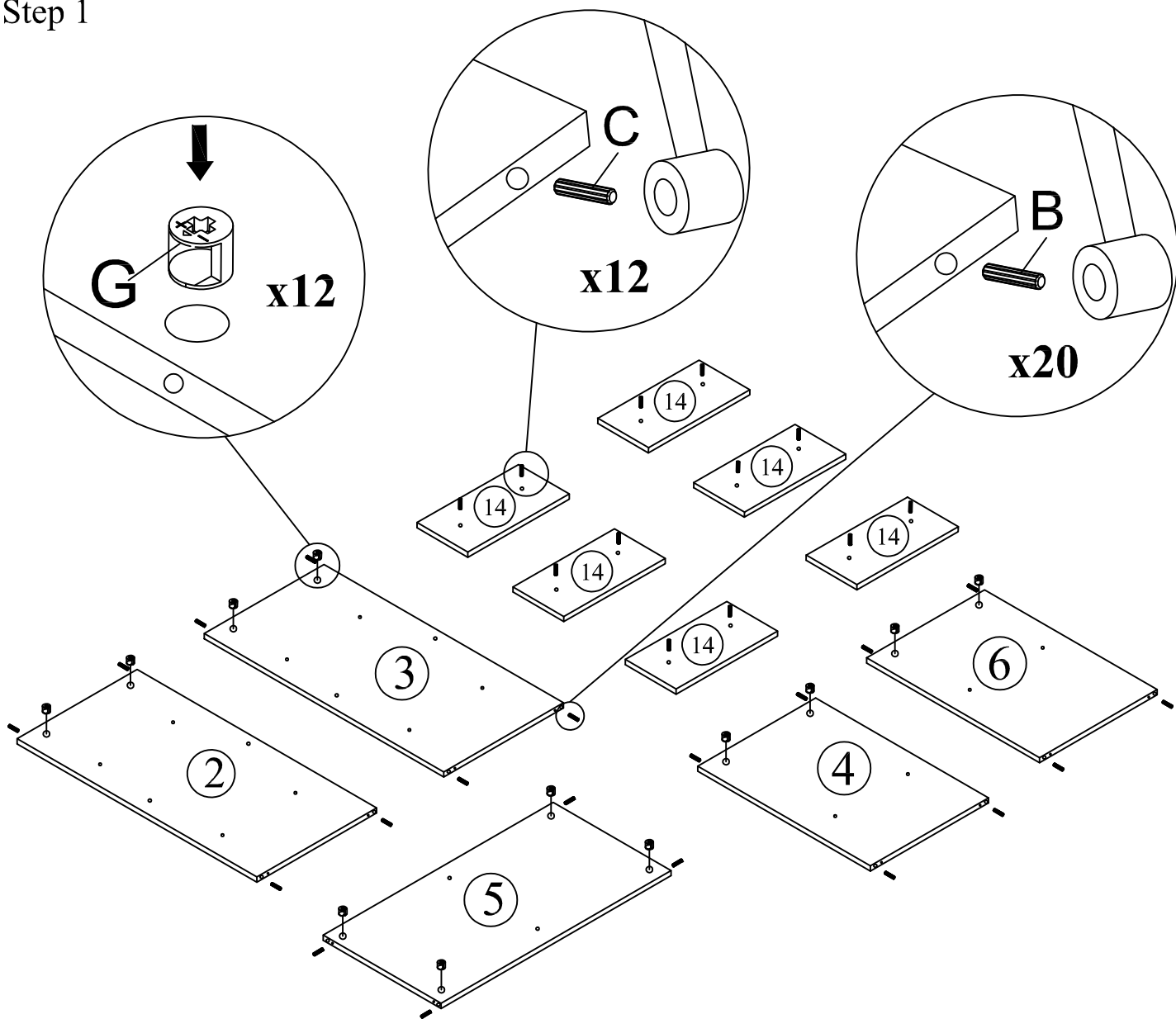
Assembly Instructions

Part List		QTY
1	Top Panel	1
2	Left Side Panel	1
3	Right Side Panel	1
4	Upper Center Panel	1
5	Middle Panel	1
6	Lower Center Panel	1
7	Middle Support Panel	4
8	Bottom Panel	1
9	Back Panel	2
10	Upper Left Door Panel	1
11	Upper Right Door Panel	1
12	Lower Left Door Panel	1
13	Lower Right Door Panel	1
14	Door Support Panel	6
15	Metal Support Legs	2
16	Metal Frame Legs	2
17	Metal Center Legs	1

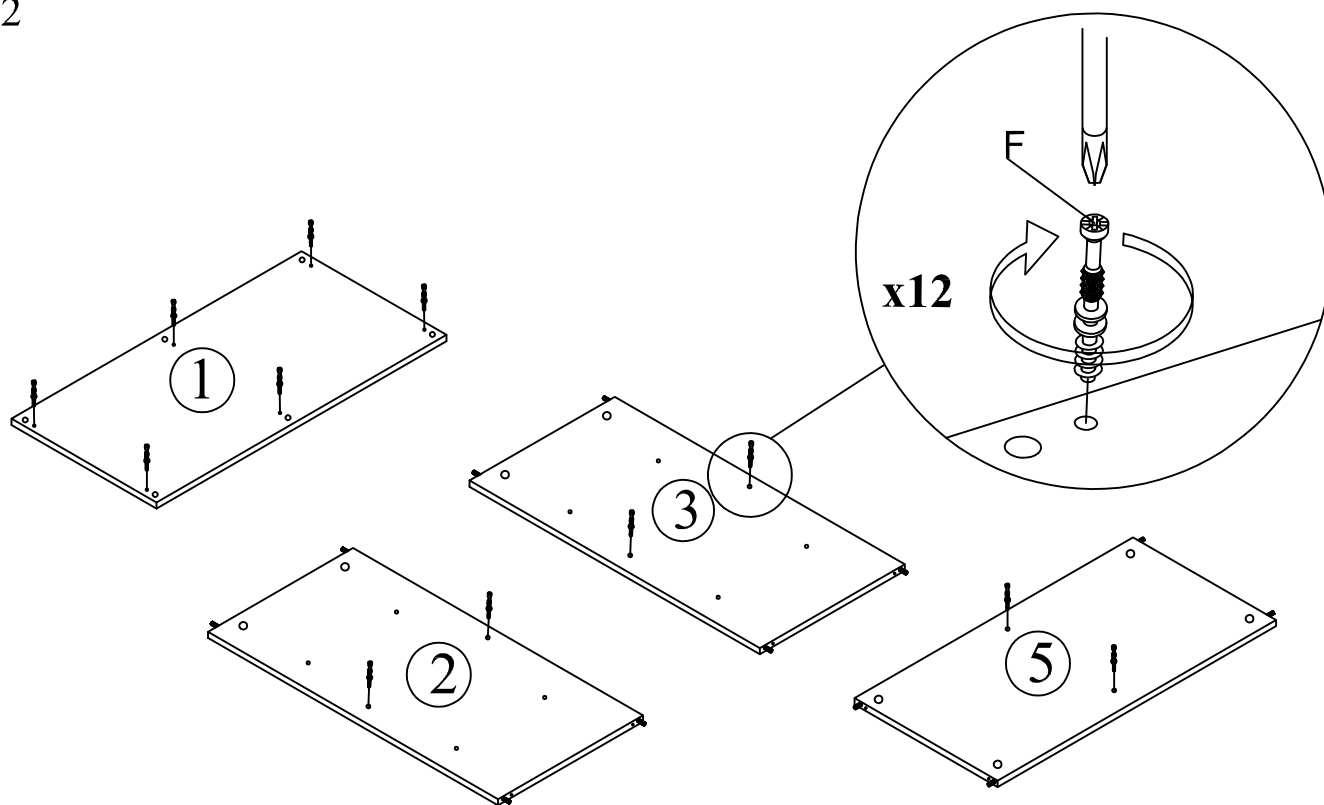
Hardware		QTY
A	Allen Key M4 	1
B	Plastic Dowel 	20
C	Wood Dowel 	12
D	JCBC W Screw M6x40 	8
E	JCBC Screw M6 X 50 Flat & Spring Washer 	6
F	Mini Fix Bolt 	12
G	Mini Fix Housing 	12
H	Mini Fix Cap 	12
I	CSK Screw M4x28mm 	24
J	CSK Screw M3.5x16mm 	64
K	CSK Screw M4x32mm 	6
L	Shell Support Metal 	16
M	Power Nail ½ 	72
N	5/8 Hinge 	8
O	Door Spring 	4
P	Magnet Spring 	4



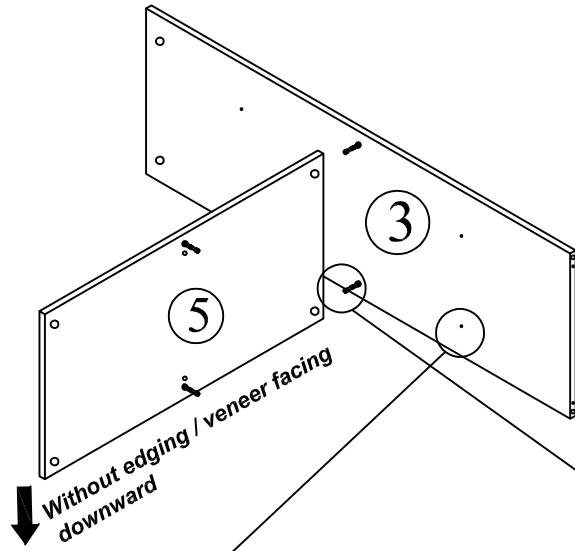
Step 1



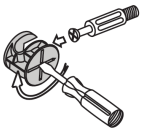
Step 2



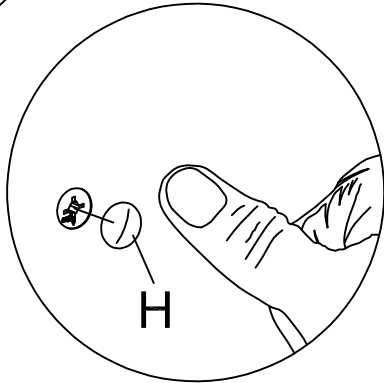
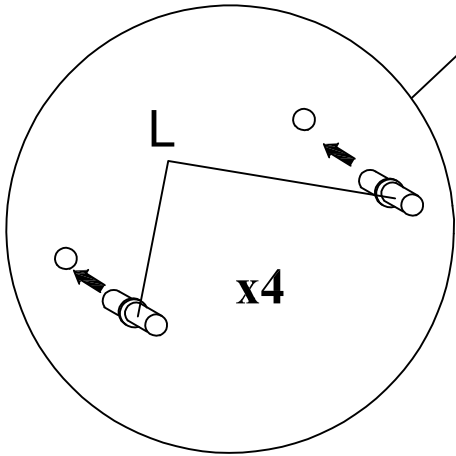
Step 3



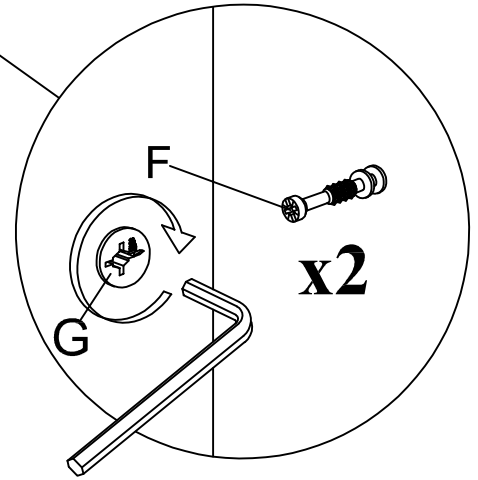
This is how a mini fix works...



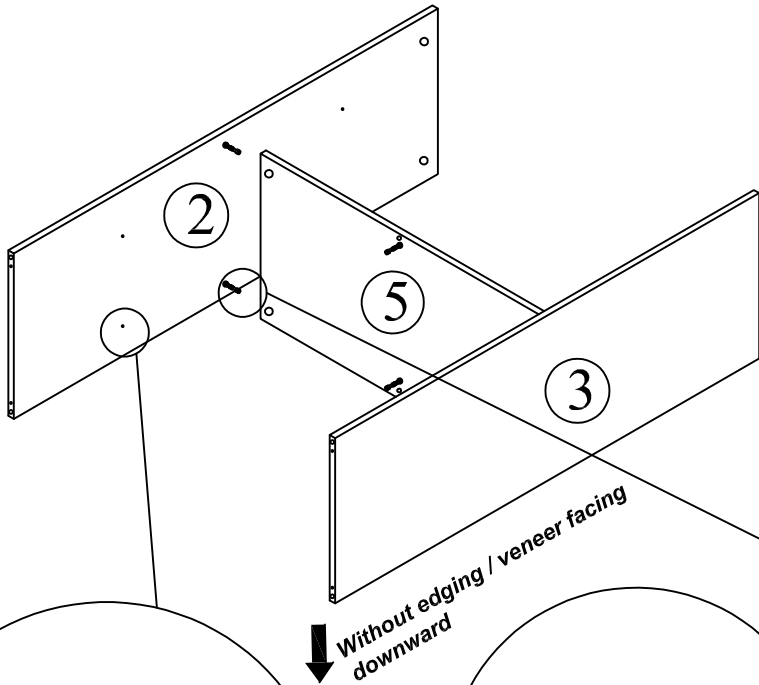
The head of the mini fix housing goes into the open mouth of the mini fix bolt. You then turn the mini fix housing so it tightens over the mini fix bolt.



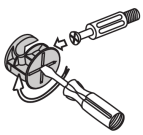
**Attach Minifix Cap as shown.*



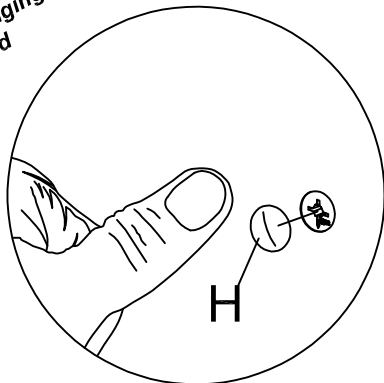
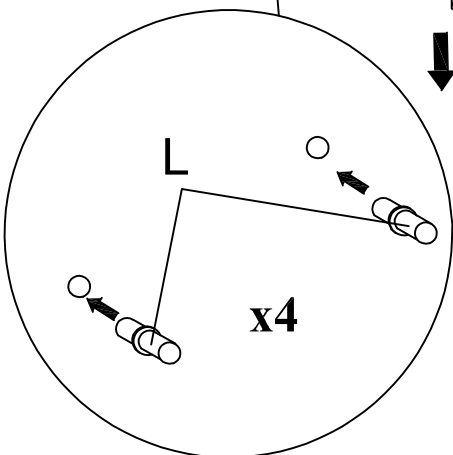
Step 4



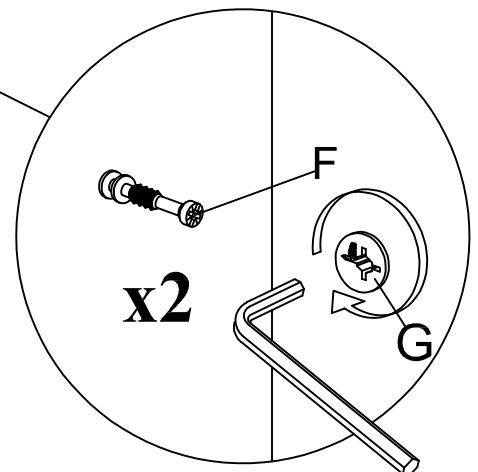
This is how a mini fix works...



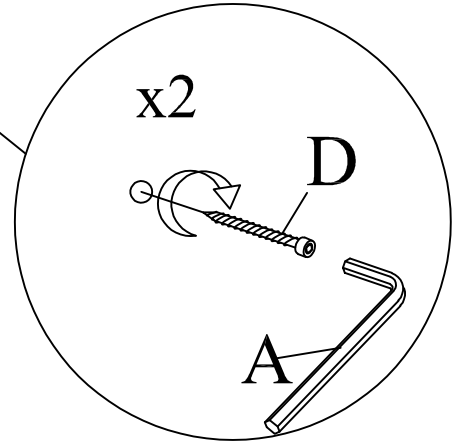
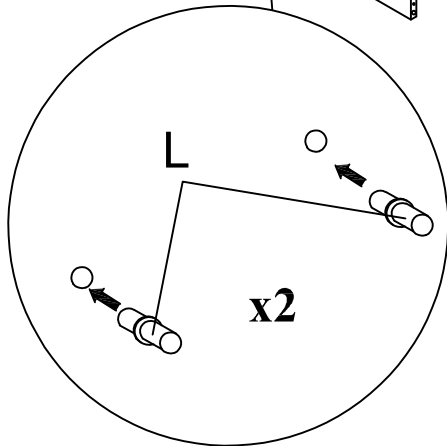
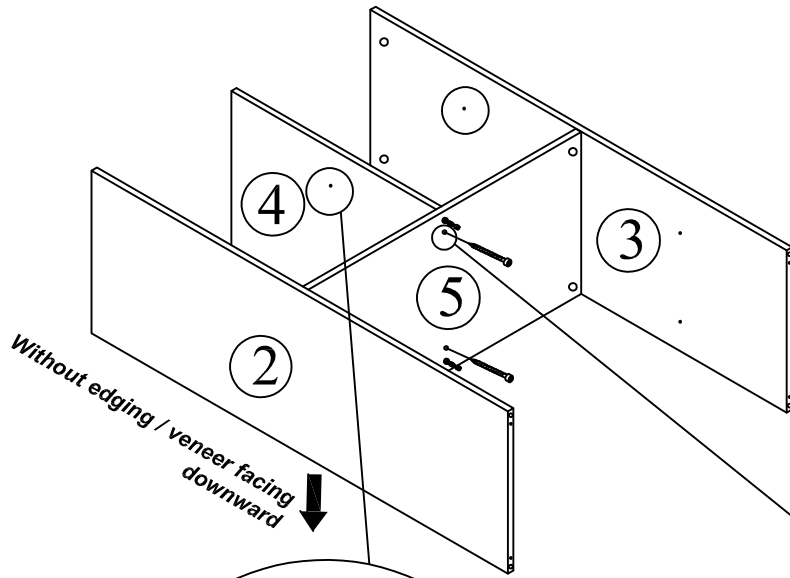
The head of the mini fix housing goes into the open mouth of the mini fix bolt. You then turn the mini fix housing so it tightens over the mini fix bolt.



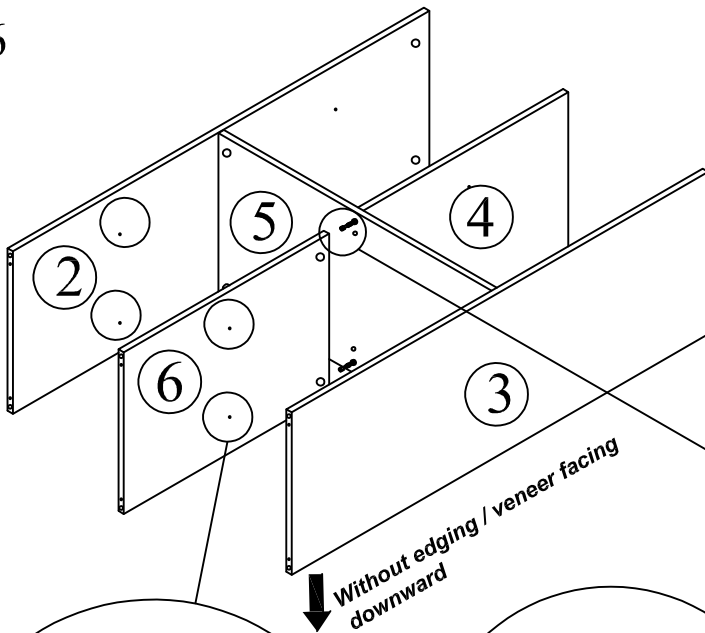
**Attach Minifix Cap as shown.*



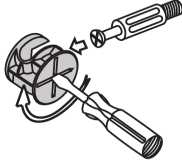
Step 5



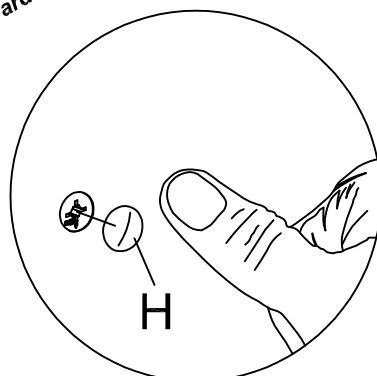
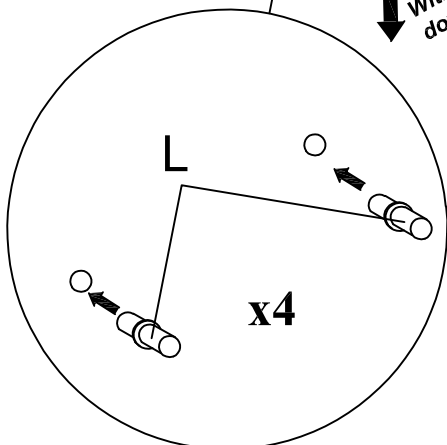
Step 6



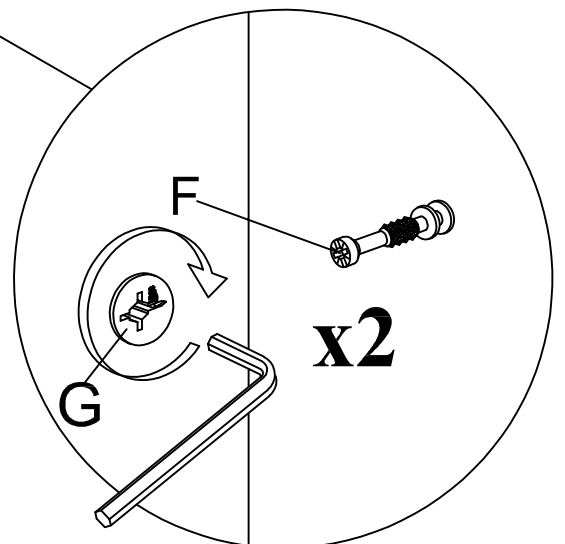
This is how a mini fix works...



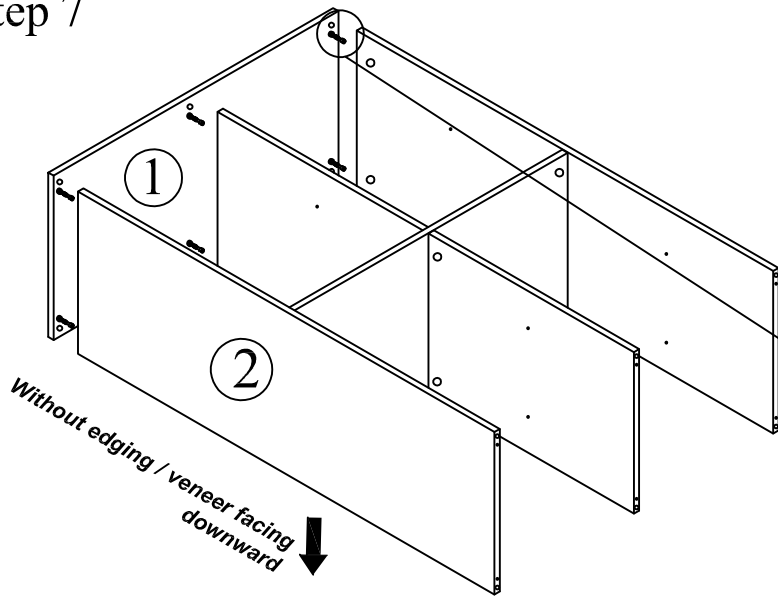
The head of the mini fix housing goes into the open mouth of the mini fix bolt. You then turn the mini fix housing so it tightens over the mini fix bolt.



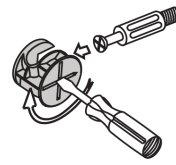
**Attach Minifix Cap as shown.*



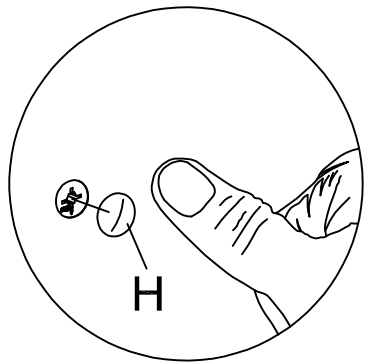
Step 7



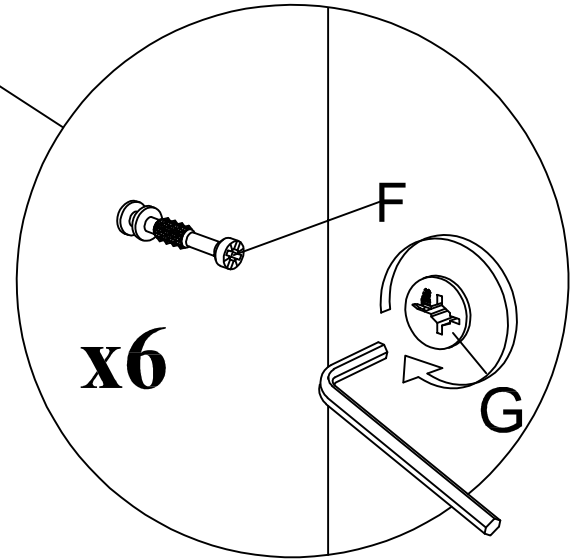
This is how a mini fix works...



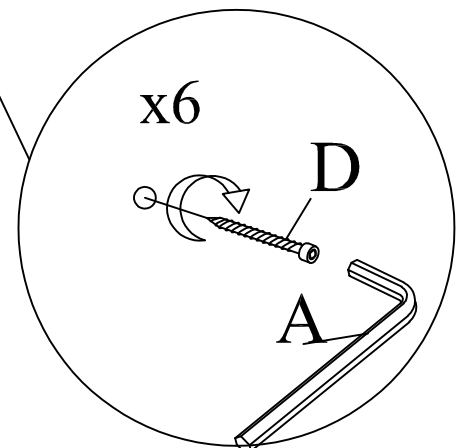
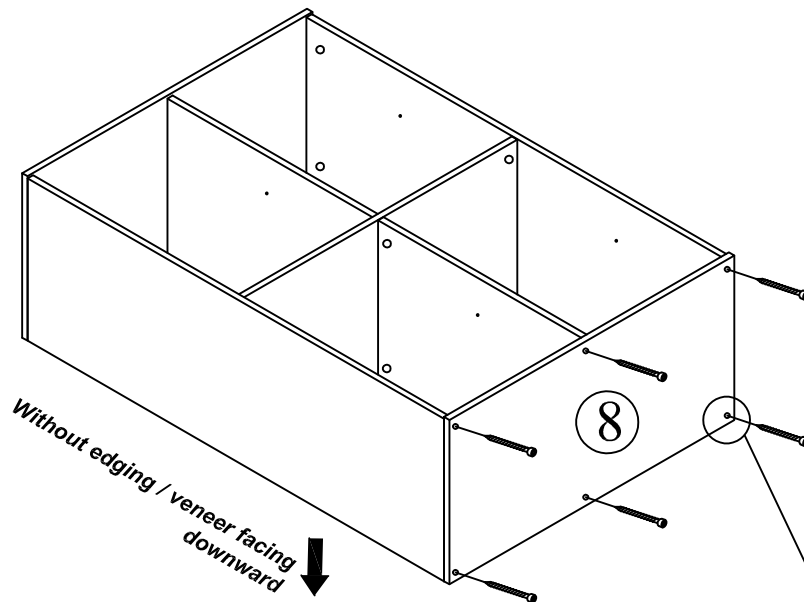
The head of the mini fix housing goes into the open mouth of the mini fix bolt. You then turn the mini fix housing so it tightens over the mini fix bolt.



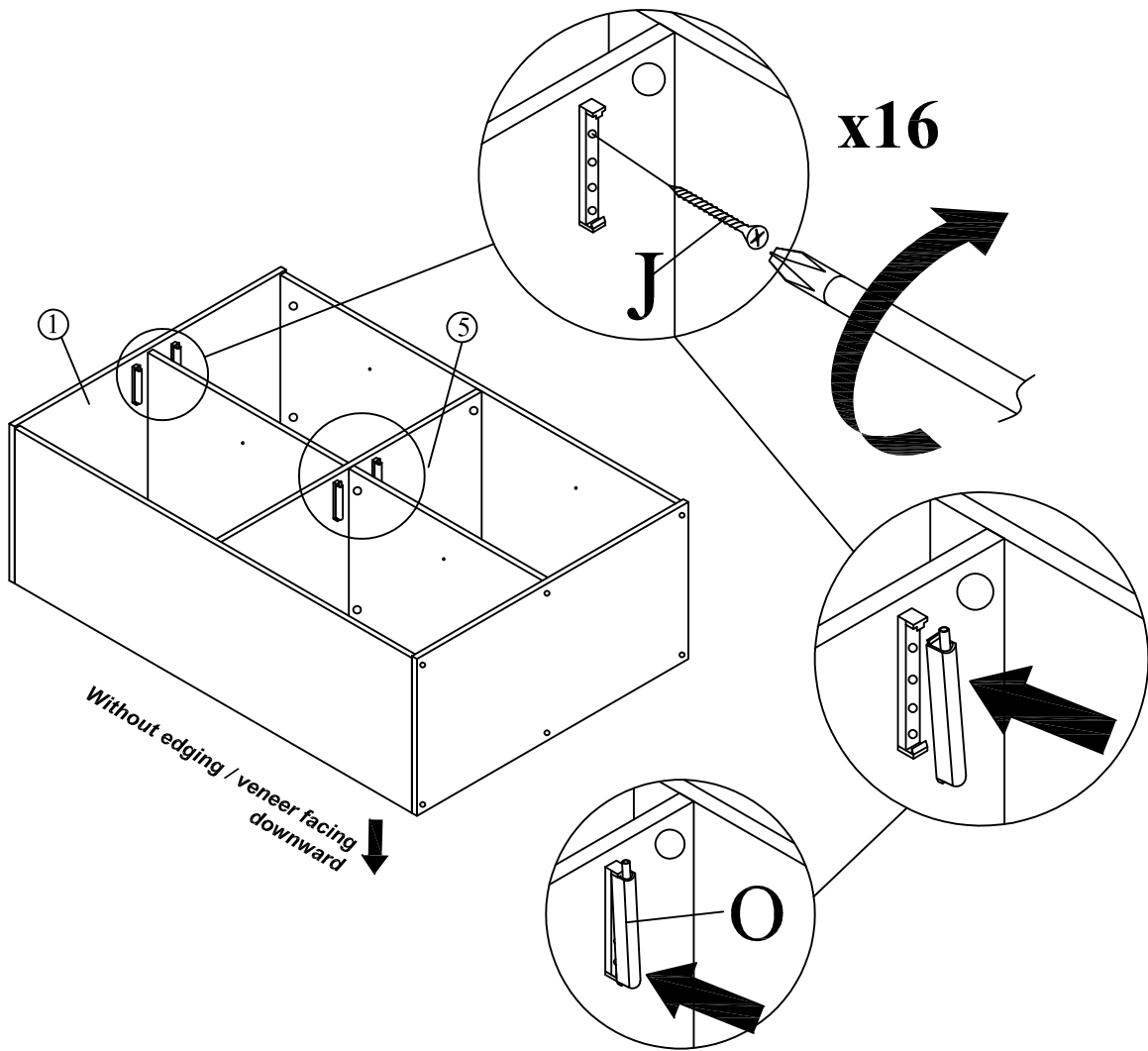
**Attach Minifix Cap as shown.*



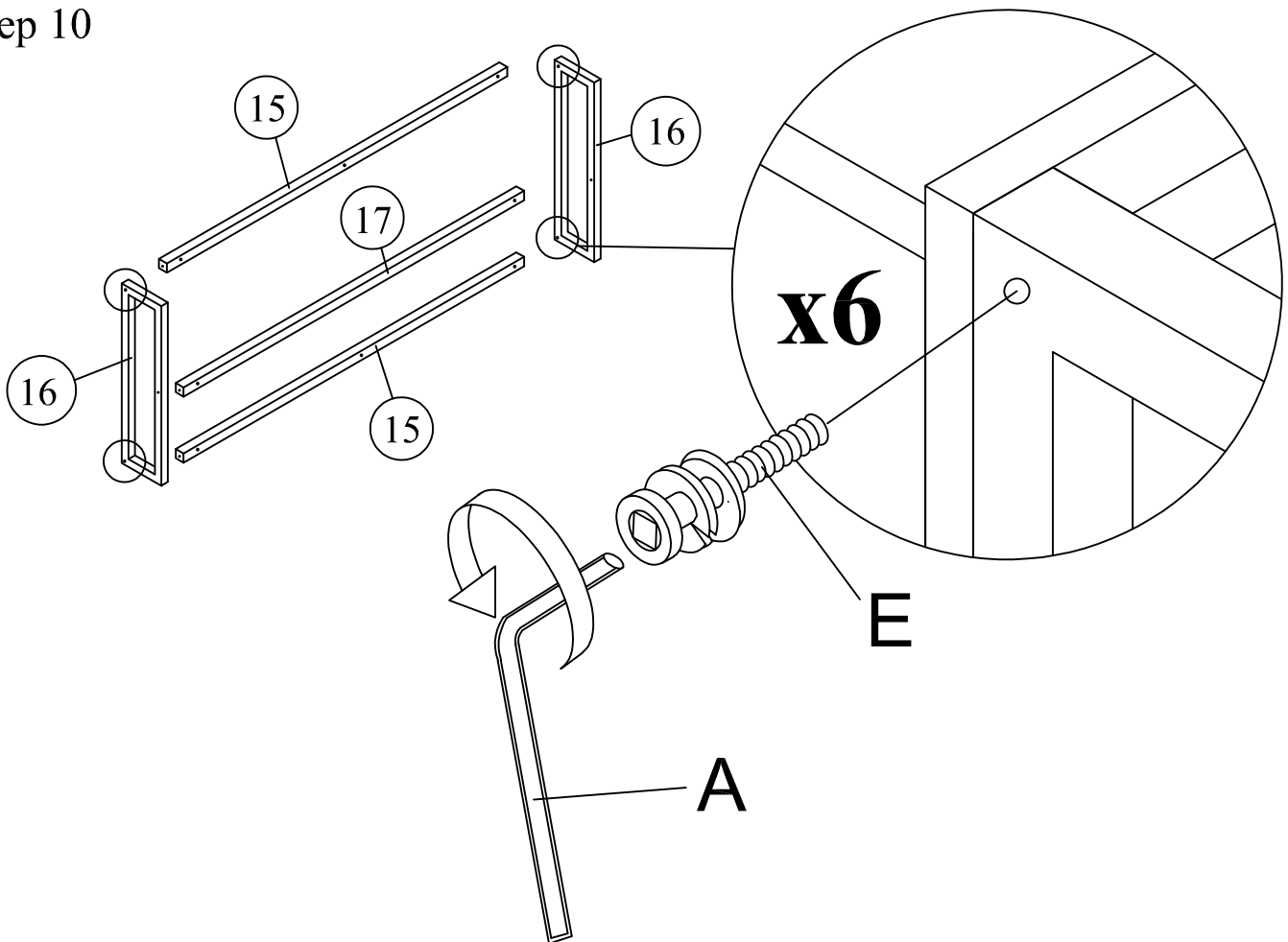
Step 8



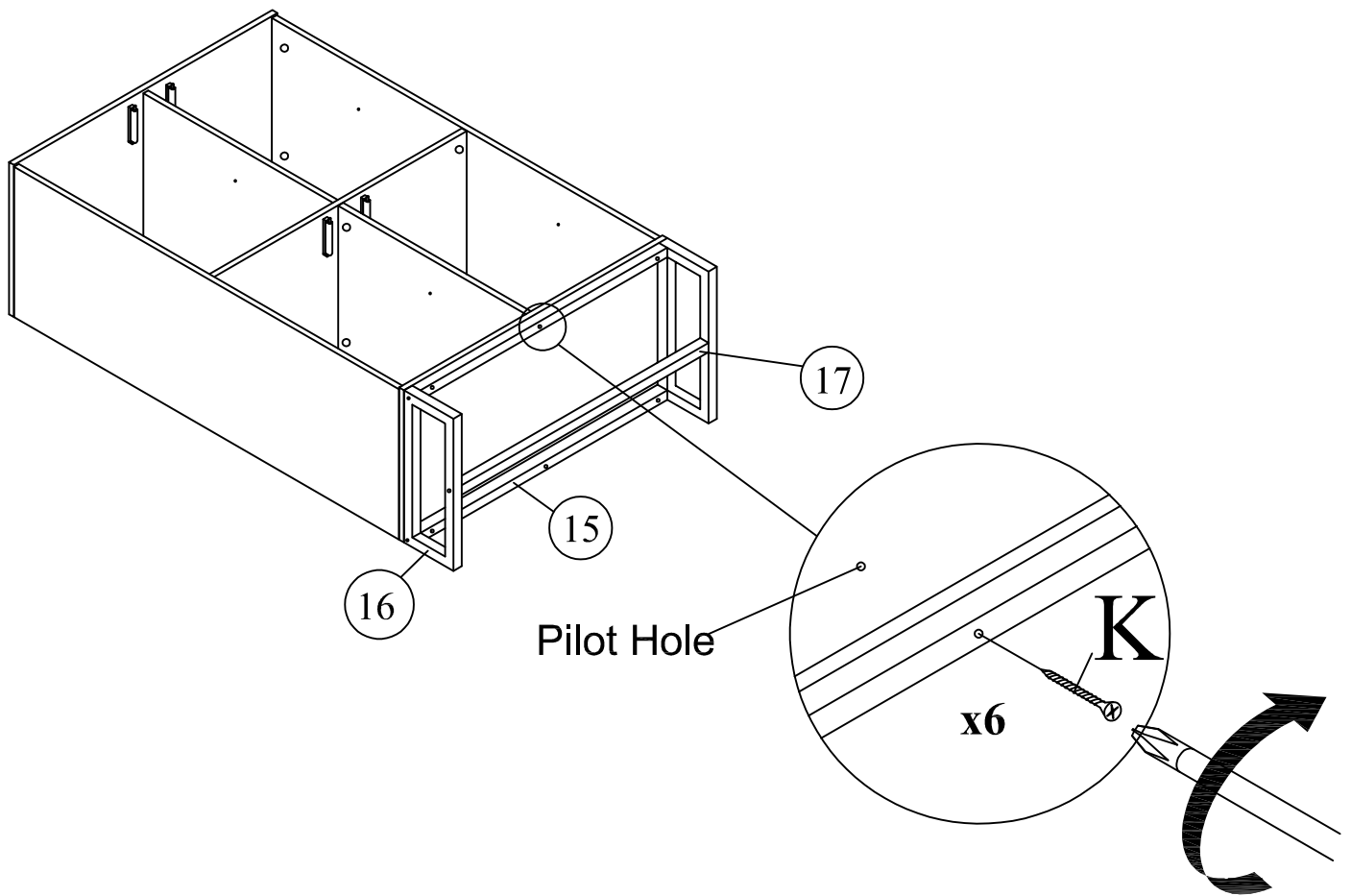
Step 9



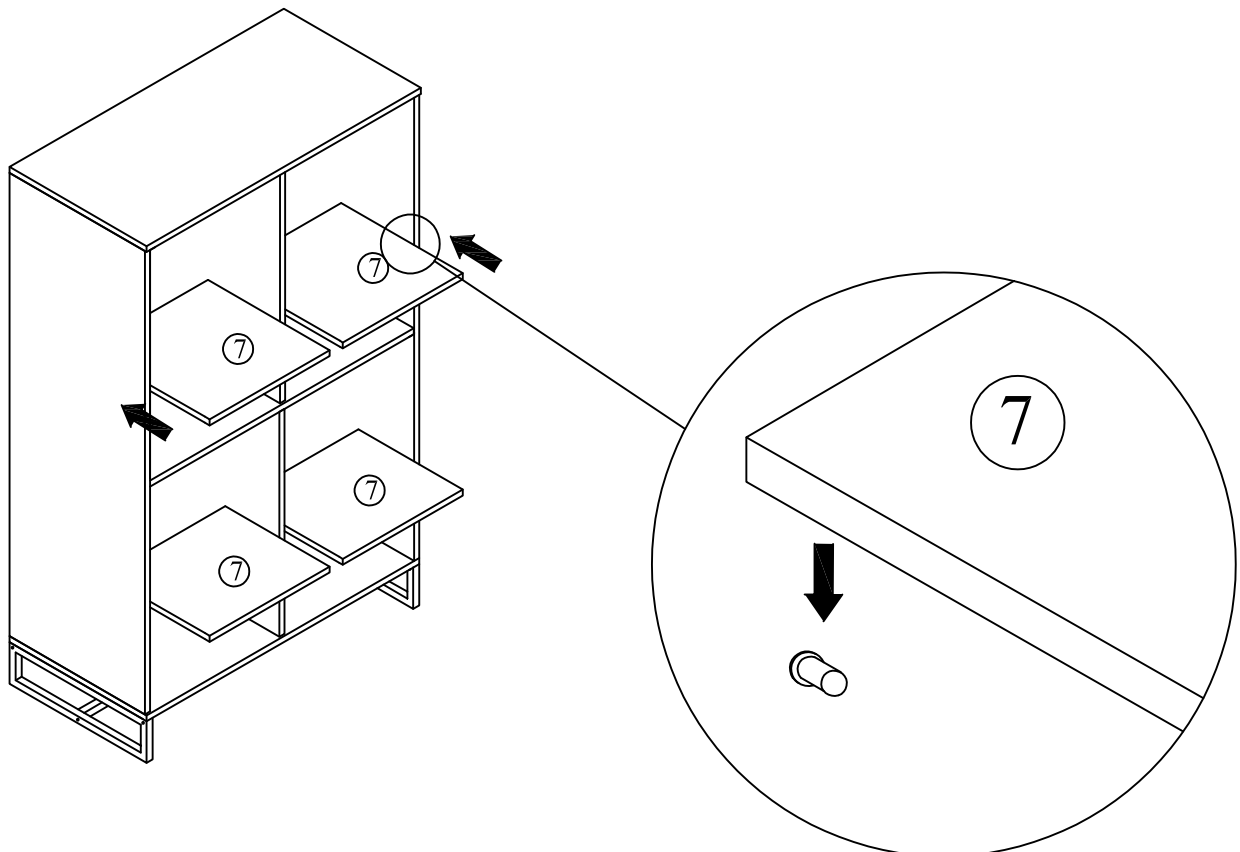
Step 10



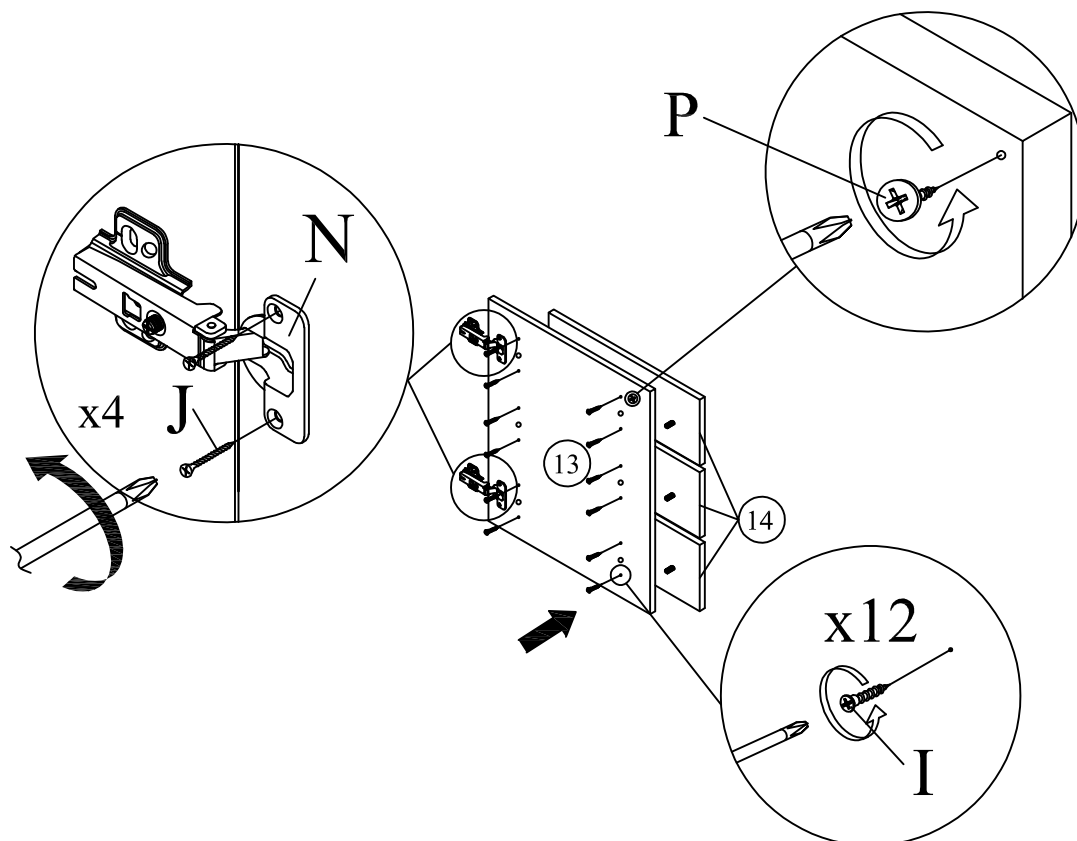
Step 11



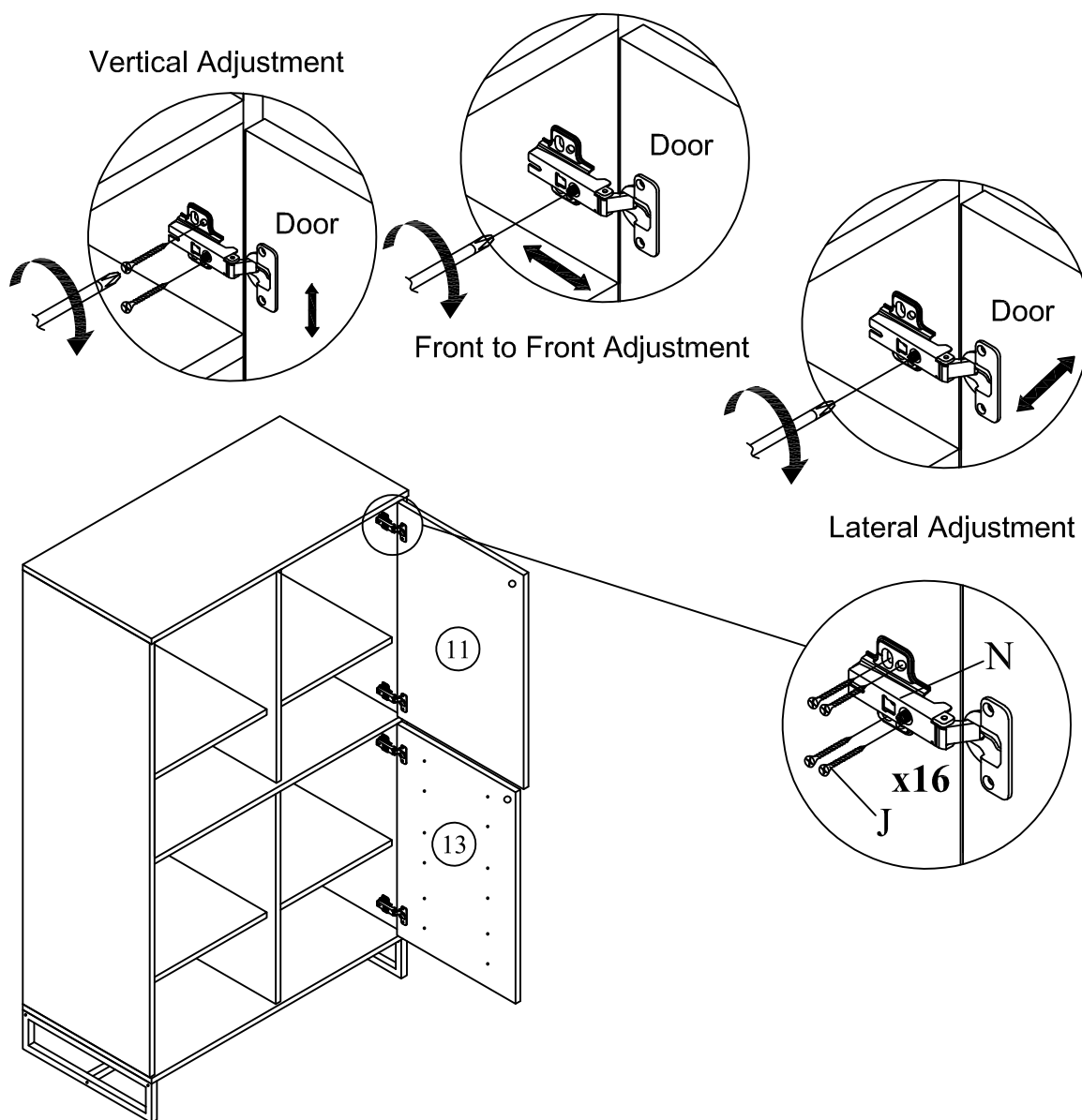
Step 12



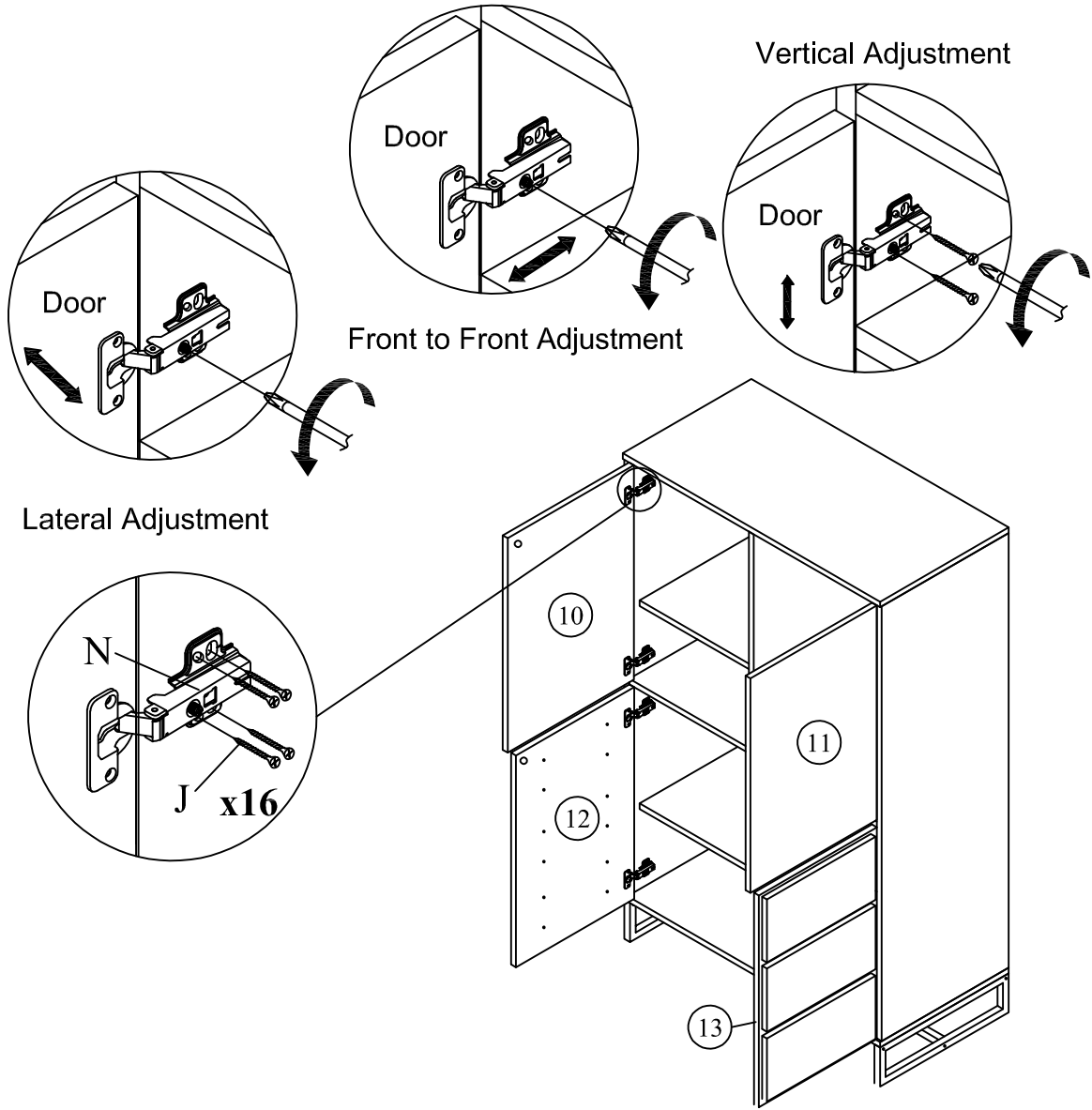
Step 15



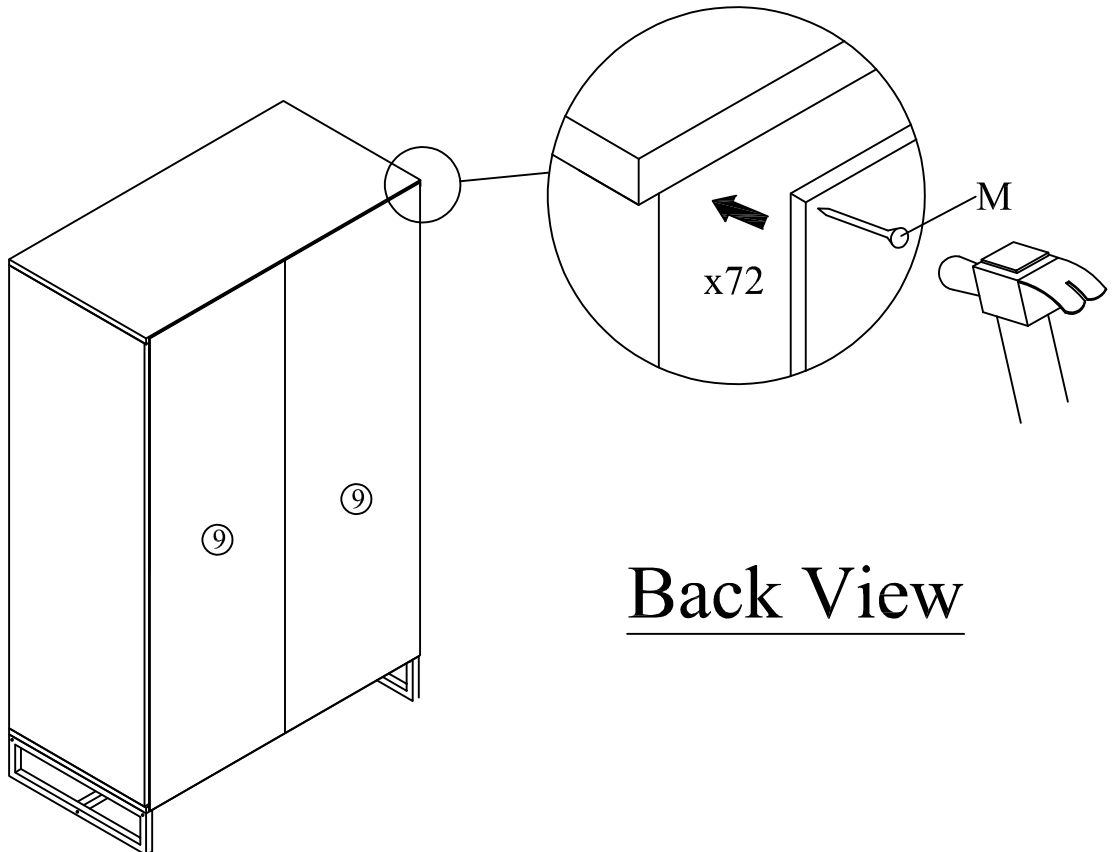
Step 16



Step 17



Step 18



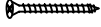
Anti -
Tipping

(A)



CSK Screw
M3.5x16mm
1PC

(B)



CSK Screw
M4x50mm
1PC

(C)

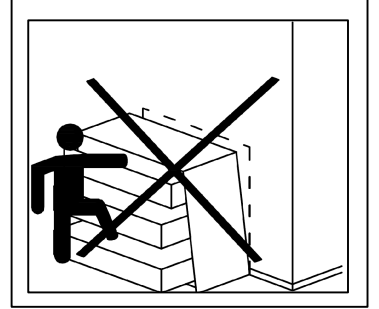
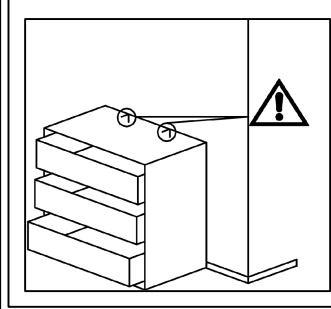


L BRACKET
2PCS

(D)



CABLE TIE
1PC



BACK VIEW

