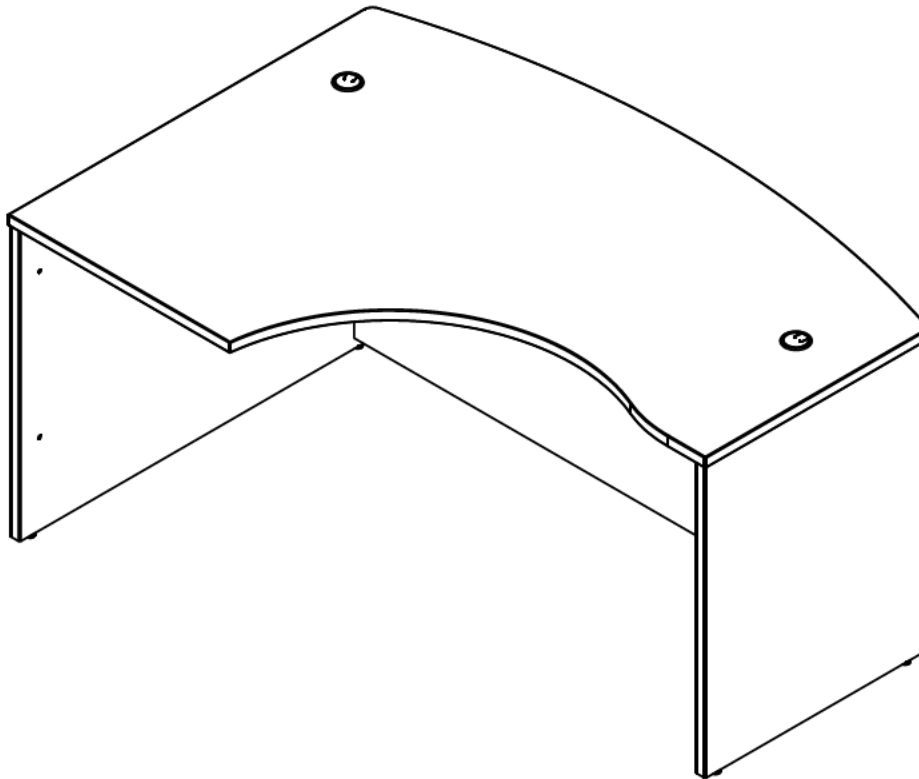


Assembly Guide



60W x 43D Left Hand L-Bow Desk Shell



Get Ready to Assemble

For best results, keep these tips in mind:

- ① We know you want to finish this assembly as quickly as possible, but trust us: you'll have a better experience if you take it one step at a time.
- ② Give yourself some room to work near where you want the fully assembled product.
- ③ If your floor isn't carpeted, assemble this product on the empty carton to avoid scratching.
- ④ Do you have a friend who owes you a favor? Some steps may go a little easier with a second set of hands.

DOs

- ✔ Use a #2 Phillips head screwdriver (or other handheld tools as indicated)
- ✔ Wear safety glasses at all times during assembly
- ✔ Carefully follow the instructions in this guide and complete all steps in order
- ✔ Give us a call if you're having trouble with a particularly tricky step

DON'Ts

- ✘ We know power tools are quick and easy, but you shouldn't use them when assembling this product (unless otherwise specified)
- ✘ Never move your furniture with items inside or resting on the surface
- ✘ Do not attempt to use this product before all steps have been completed

IMPORTANT SAFETY INFORMATION



PLEASE READ WARNINGS

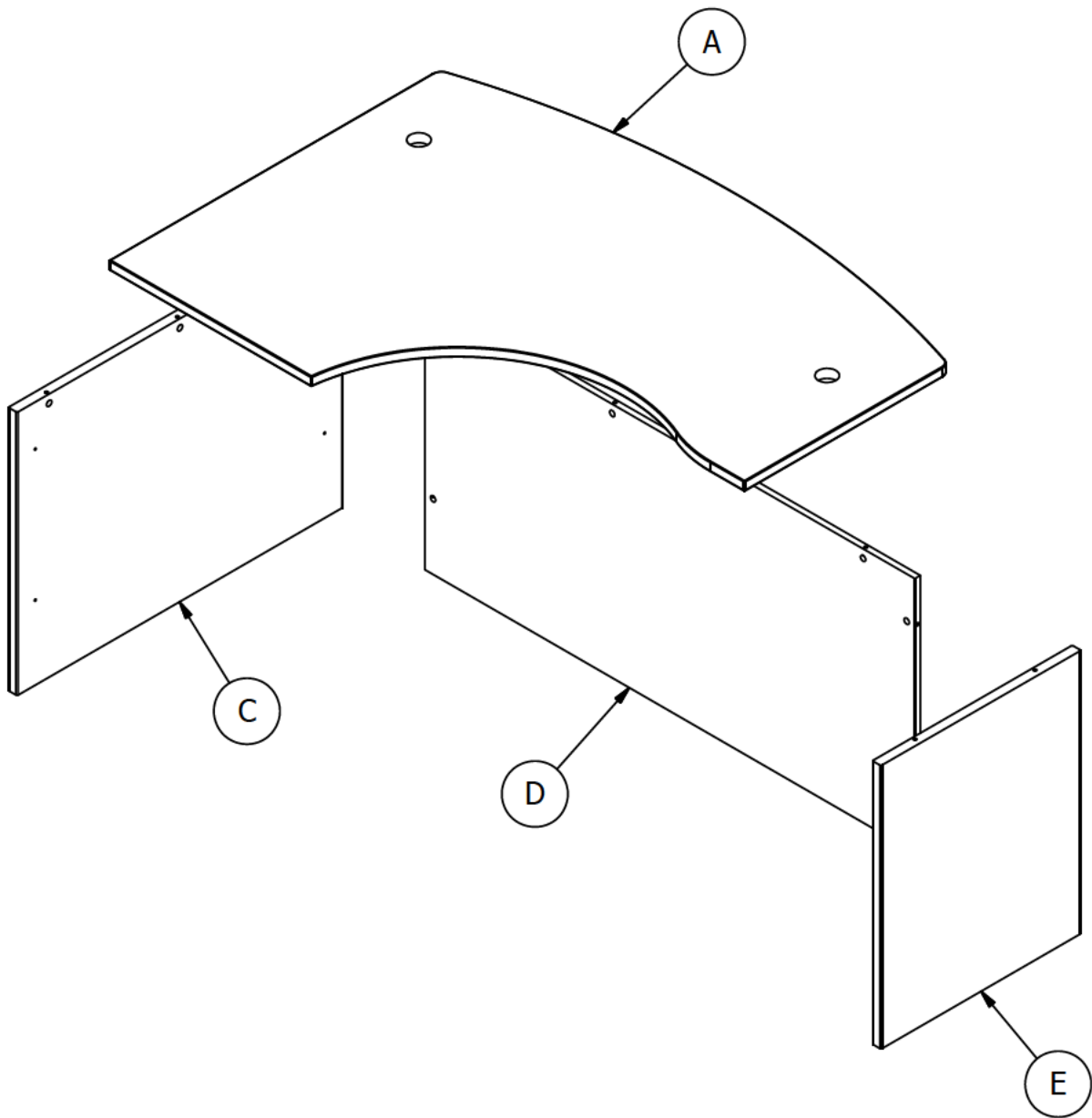
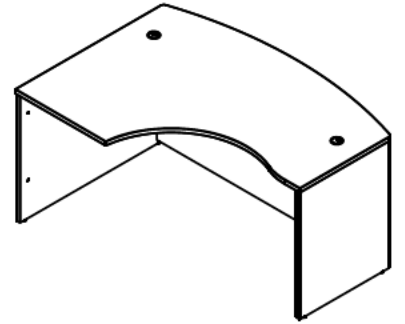
Improper use can cause safety hazards, or damage to your furniture and household items.

Warning	Do	Don't	Why it's important
Serious injury may occur.	<ul style="list-style-type: none">Assemble following all instructions using all indicated parts and hardware provided.	<ul style="list-style-type: none">Do not move unit when loaded.Do not load with a television or other heavy equipment.Do not exceed the maximum load limits stated in the instructions.	Improper assembly, use or loading can lead to product instability, tipover, or collapse.

Advertencia	Hacer	No	Por qué es importante
Pueden producirse lesiones graves.	<ul style="list-style-type: none">Realice el montaje siguiendo todas las instrucciones y utilizando todas las piezas indicadas y los herrajes suministrados.	<ul style="list-style-type: none">No mueva la unidad cuando esté cargada.No cargue el mueble con un televisor u otro equipo pesado.No supere los límites máximos de carga indicados en las instrucciones.	El montaje, uso o carga inadecuados pueden provocar inestabilidad, vuelco o colapso del producto.

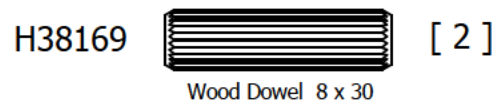
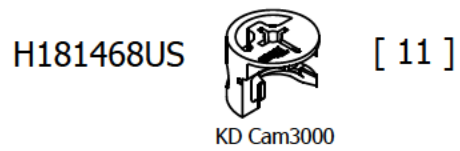
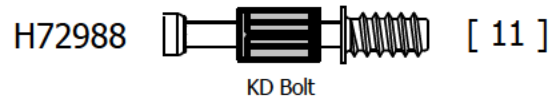
Avertissement	À faire	À ne pas faire	Pourquoi c'est important
Peut entraîner des blessures graves.	<ul style="list-style-type: none">Assembler en suivant toutes les instructions et en utilisant toutes les pièces et la quincaillerie incluses.	<ul style="list-style-type: none">Ne pas déplacer le meuble lorsqu'il est chargé.Ne pas charger le meuble avec un téléviseur ou tout autre équipement lourd.Ne pas dépasser les limites de poids maximales indiquées dans les instructions.	Un assemblage, une utilisation ou un chargement incorrects peuvent entraîner l'instabilité, le basculement ou l'effondrement du produit.

Get to know your Boards



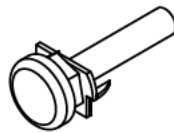
Get to know your Fasteners

Fasteners are shown actual size.



Hardware not to scale.

H209601



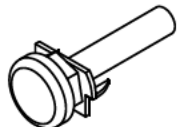
[4]

Leveler

STEP 1

Prepare Panels

H209601



[4]

Leveler

H72988



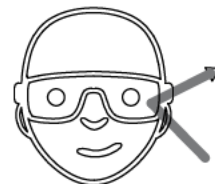
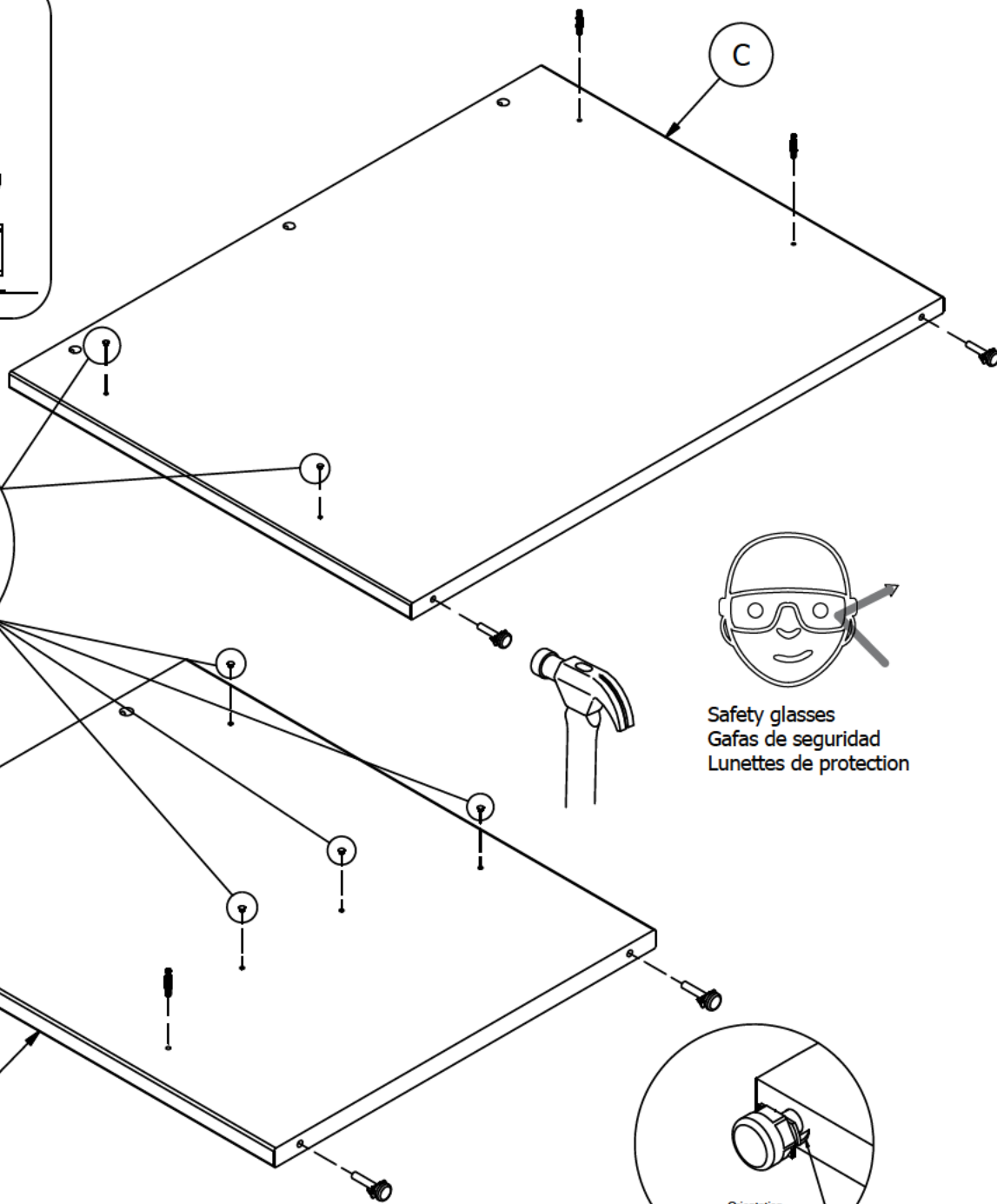
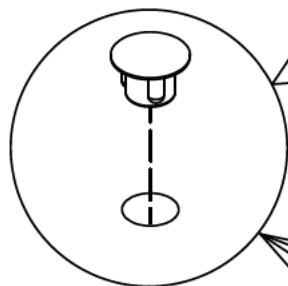
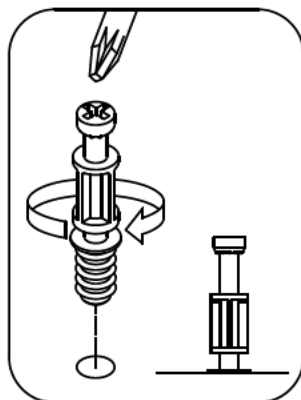
[4]

KD Bolt

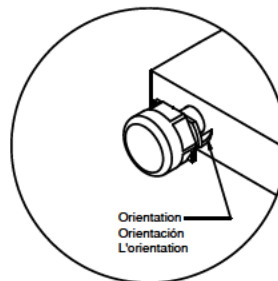


[6]

5mm Hole Plug



Safety glasses
Gafas de seguridad
Lunettes de protection



Orientation
Orientación
L'orientation

STEP 2

Assemble Panels

H181468US



KD Cam3000

[4]

H38169



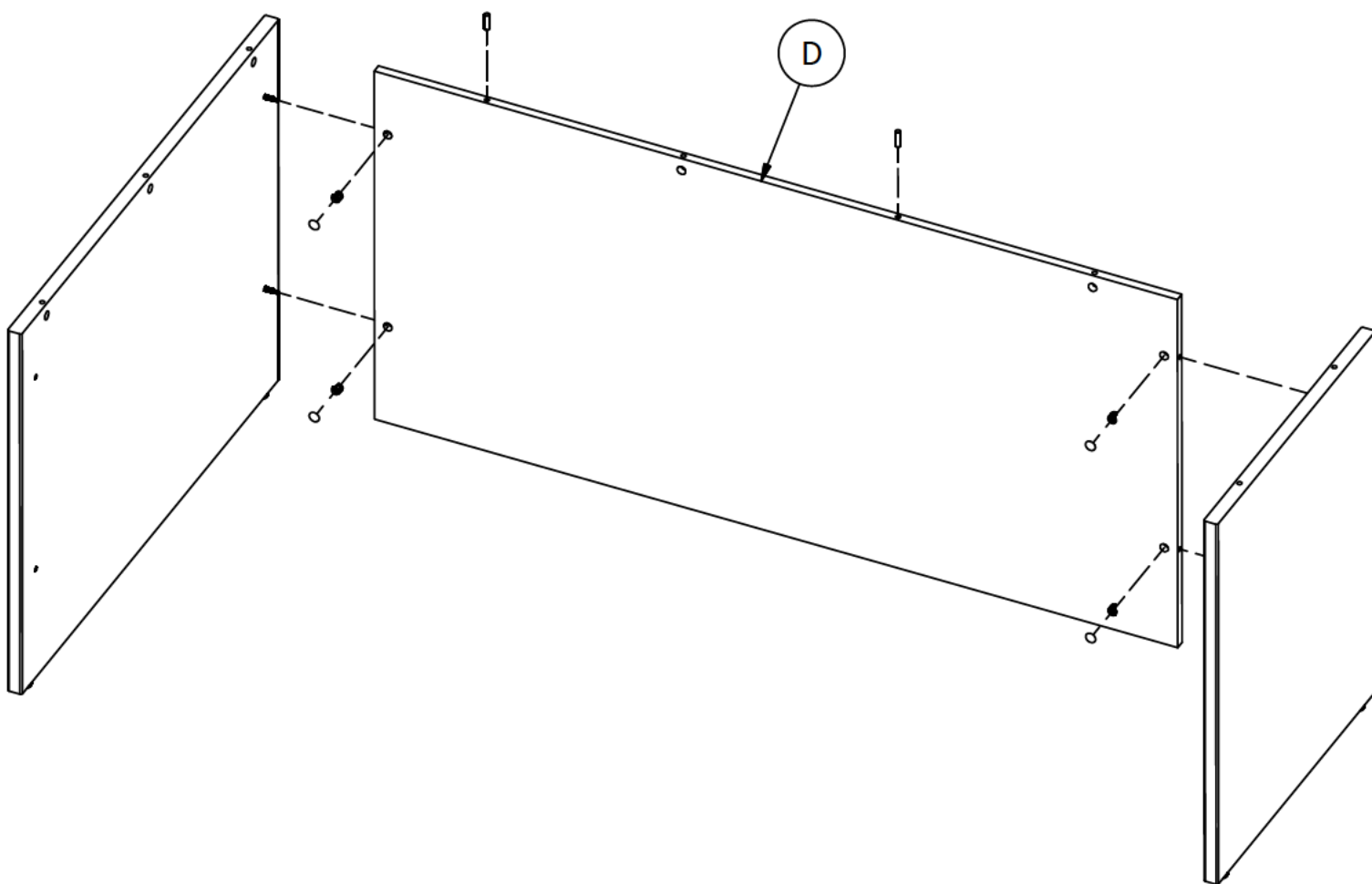
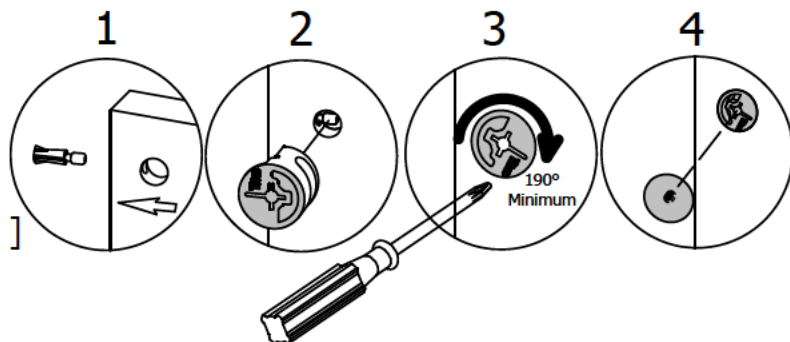
Wood Dowel 8 x 30

[2]



Cover Cap

[4]



STEP 3

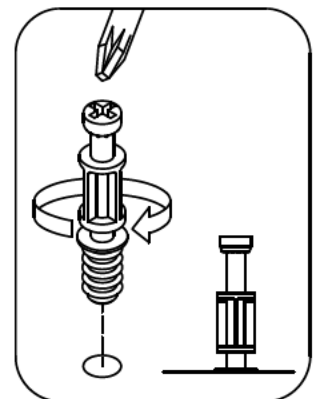
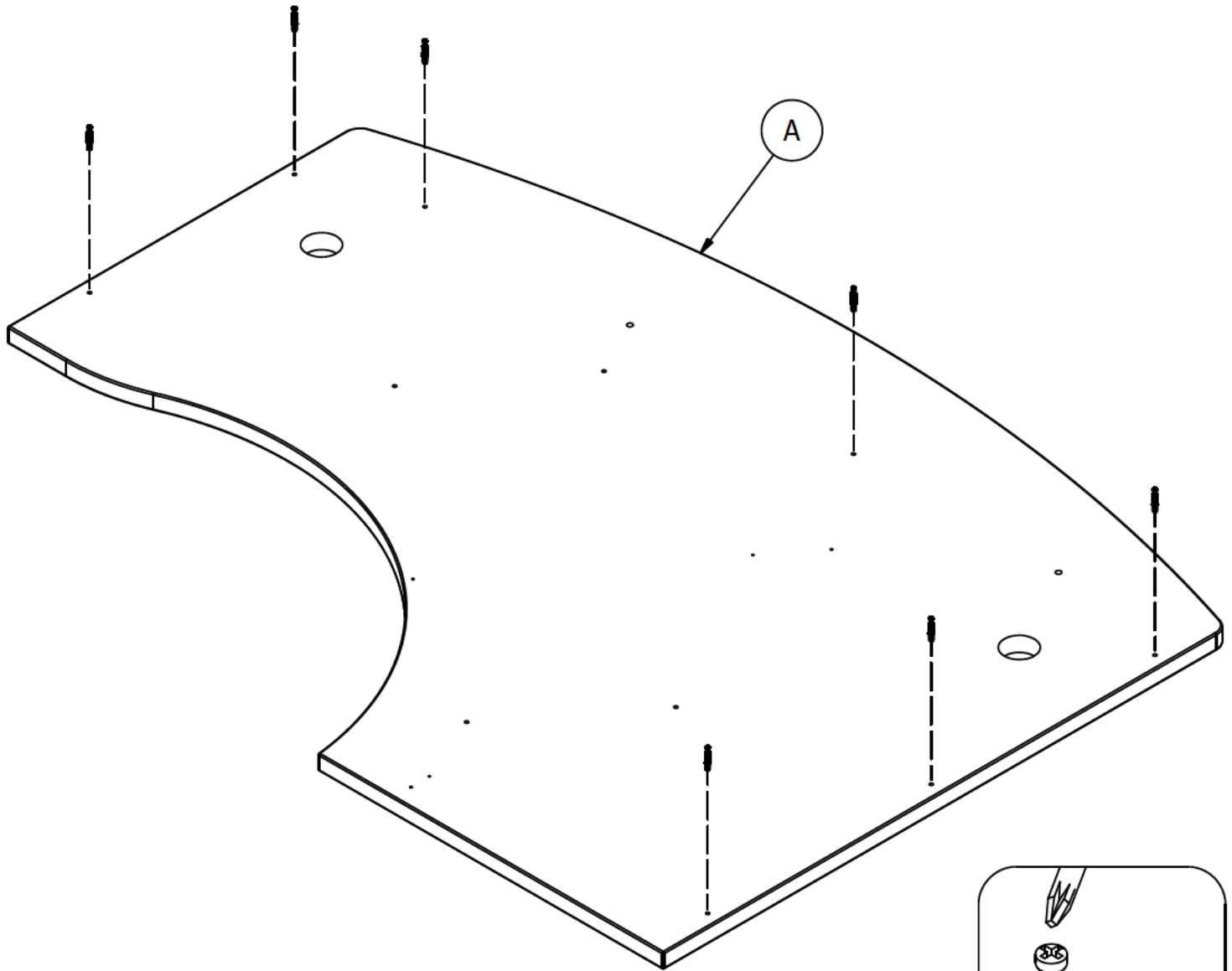
Prepare Panel

H72988



[7]

KD Bolt



STEP 4

Assemble Panels

H181468US



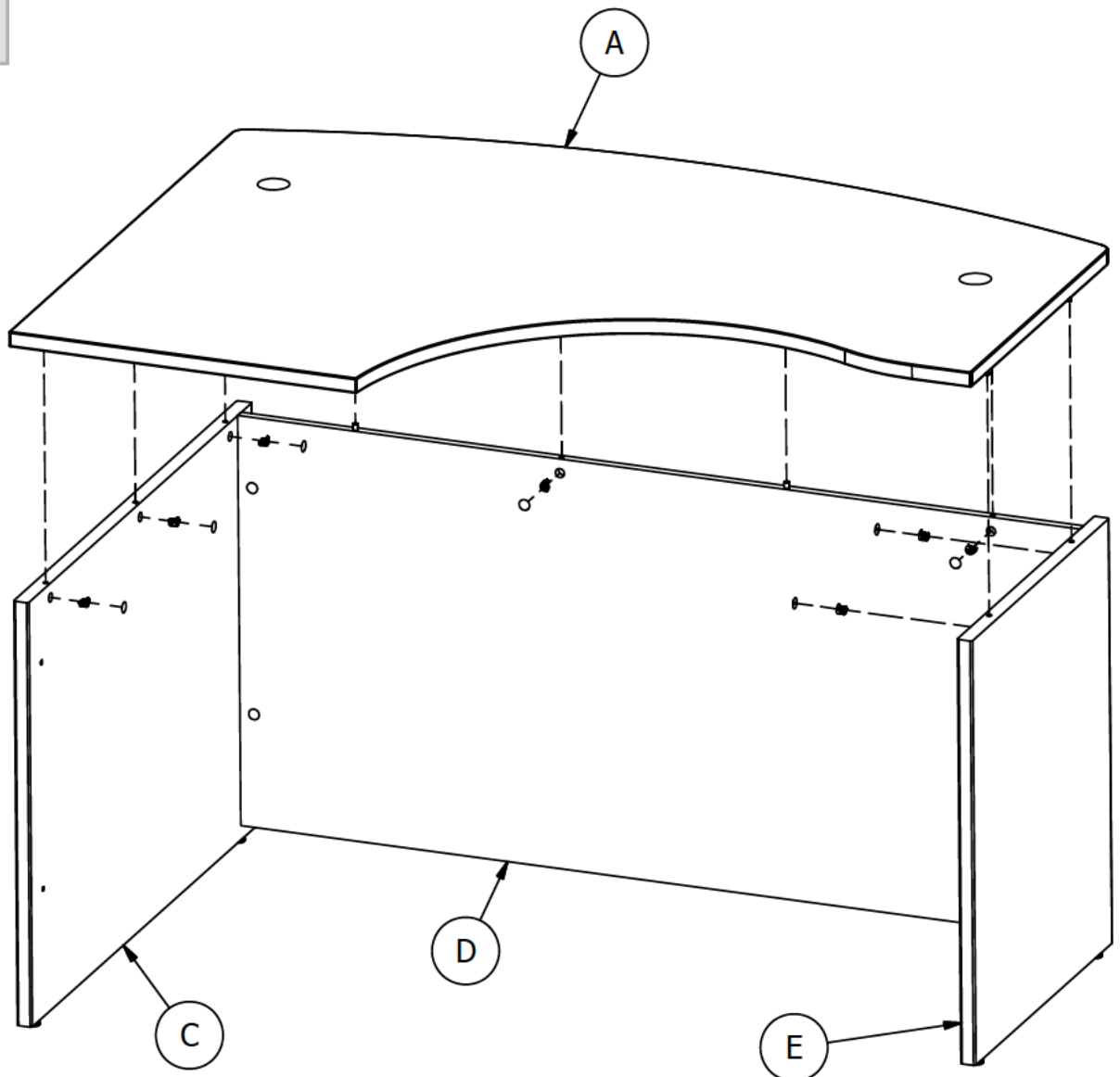
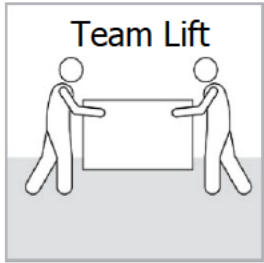
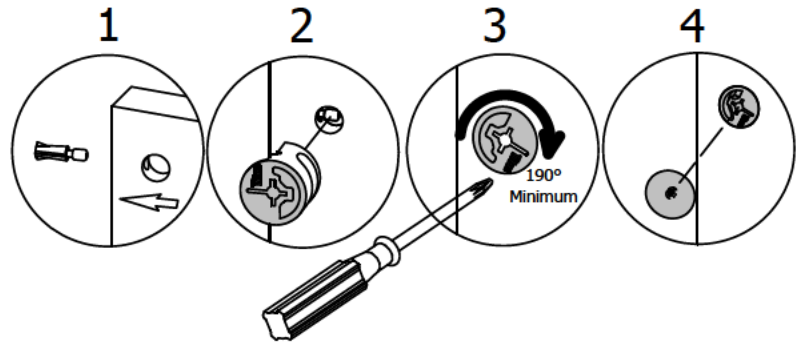
[7]

KD Cam3000



[7]

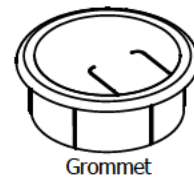
Cover Cap



STEP 5

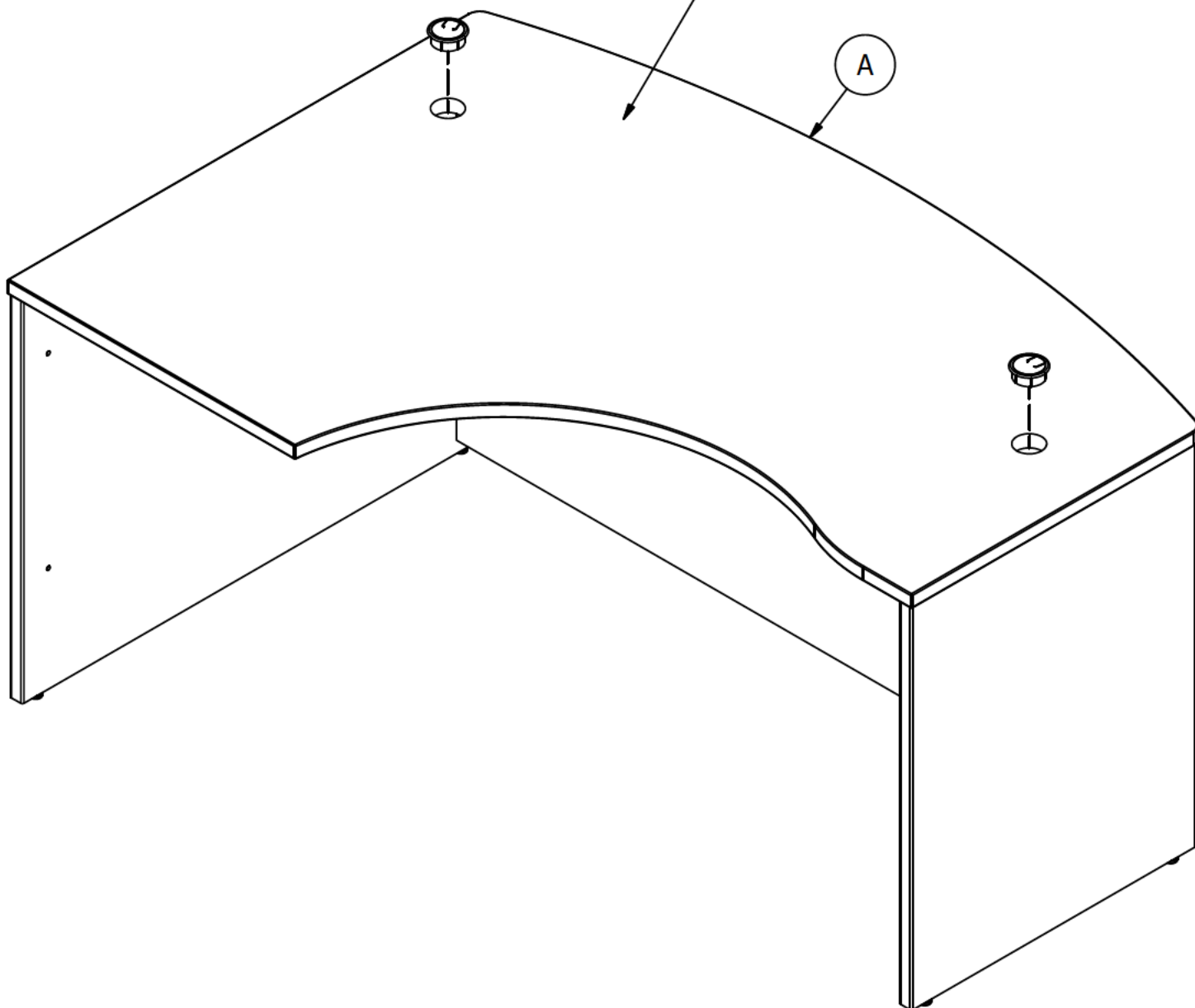
Maximum Loading and Cleaning

Gently clean surfaces with a damp sponge eraser.



[2]


Maximum Weight: 200 Lbs.
Peso Máximo: 200 Libras
Poids Maximum: 90.7 kilogramme




Congratulations! You are all done. If you have any questions or concerns, please call.

PARTS LIST

SCD660SG		
LABEL CODE	PART	QTY
A	W214532	1
C	W214525	1
D	W214526	1
E	W189352	1


H92521  [11]
Cover Cap

H184440  [2]
Grommet

H92523  [6]
5mm Hole Plug


SCD660WH		
LABEL CODE	PART	QTY
A	W214536	1
C	W214529	1
D	W214530	1
E	W191878	1


H73619  [11]
Cover Cap

H184440  [2]
Grommet

H184428  [6]
5mm Hole Plug


WC12933		
LABEL CODE	PART	QTY
A	W176133	1
C	W189399	1
D	W176131	1
E	W186400	1


H73621  [11]
Cover Cap

H118700  [2]
Grommet

H63904  [6]
5mm Hole Plug


WC24433		
LABEL CODE	PART	QTY
A	W177150	1
C	W186401	1
D	W177138	1
E	W186402	1

H92521  [11]
Cover Cap

H118700  [2]
Grommet

H92523  [6]
5mm Hole Plug

WC24533		
LABEL CODE	PART	QTY
A	W177150	1
C	W186403	1
D	W179452	1
E	W186404	1

H95137  [11]
Cover Cap

H118700  [2]
Grommet

H96110  [6]
5mm Hole Plug