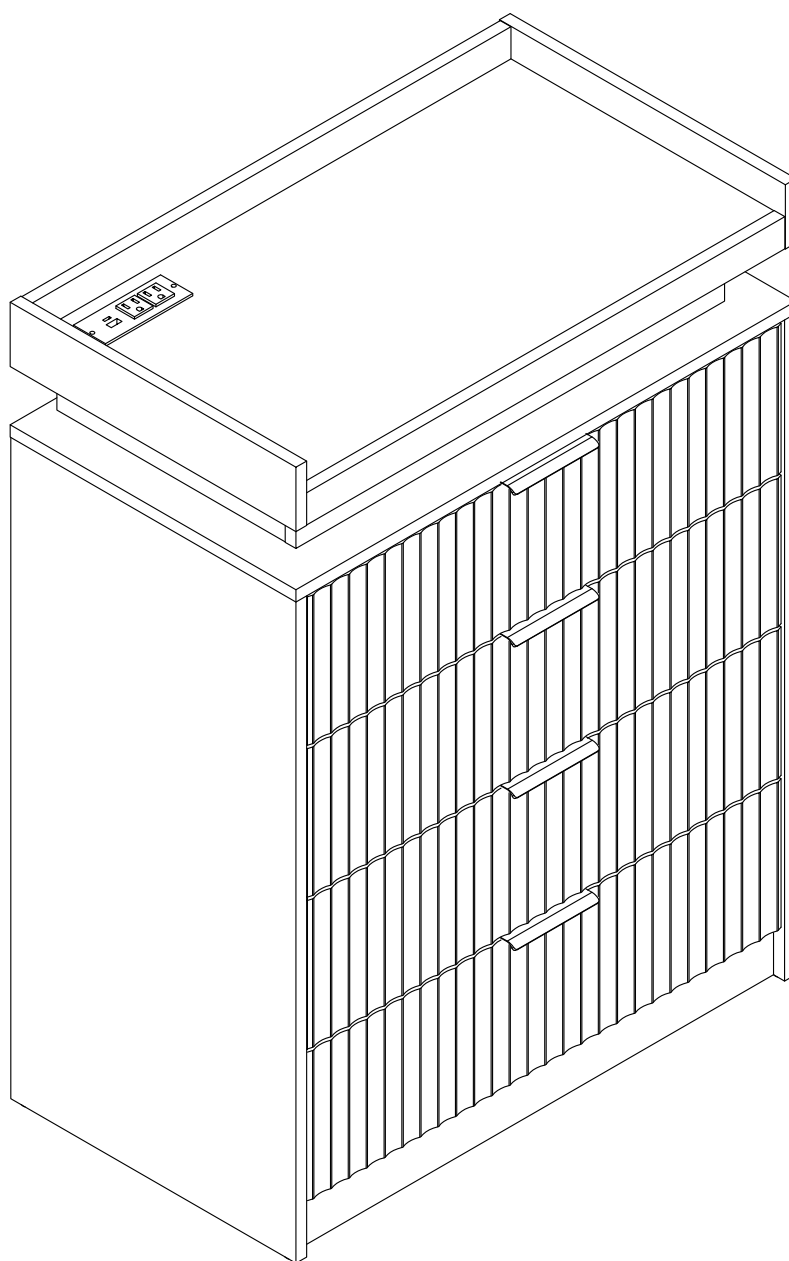
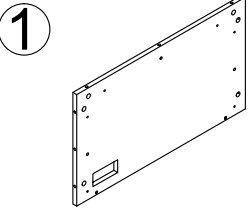
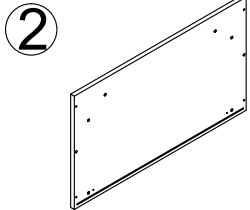
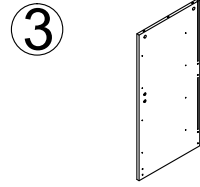
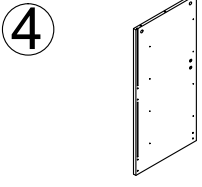
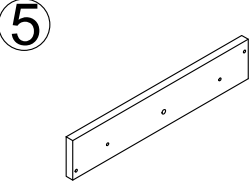
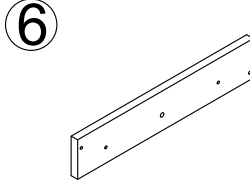
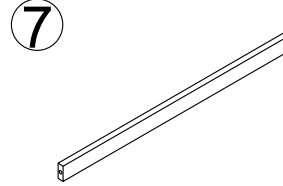
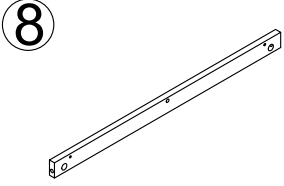
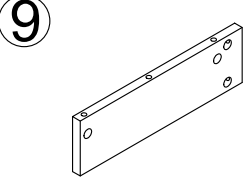
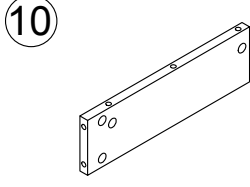
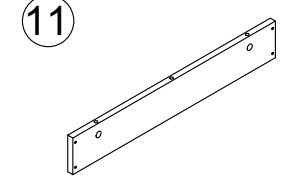
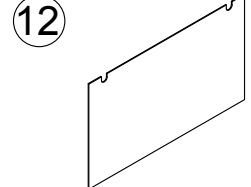
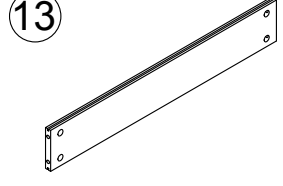
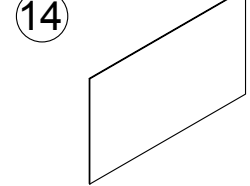
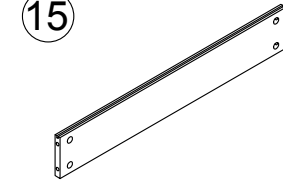
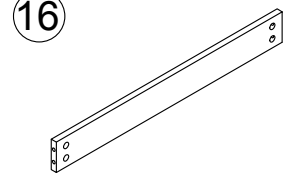
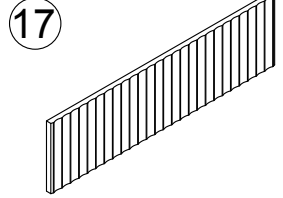
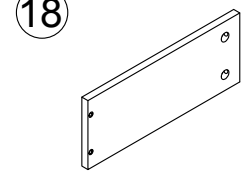
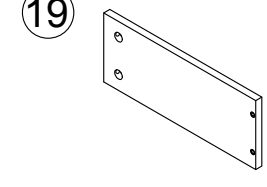
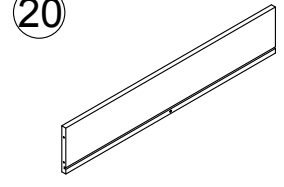
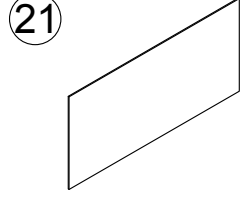
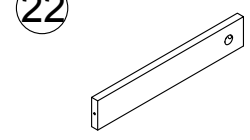
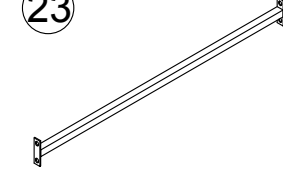








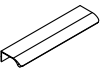







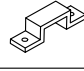

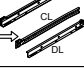

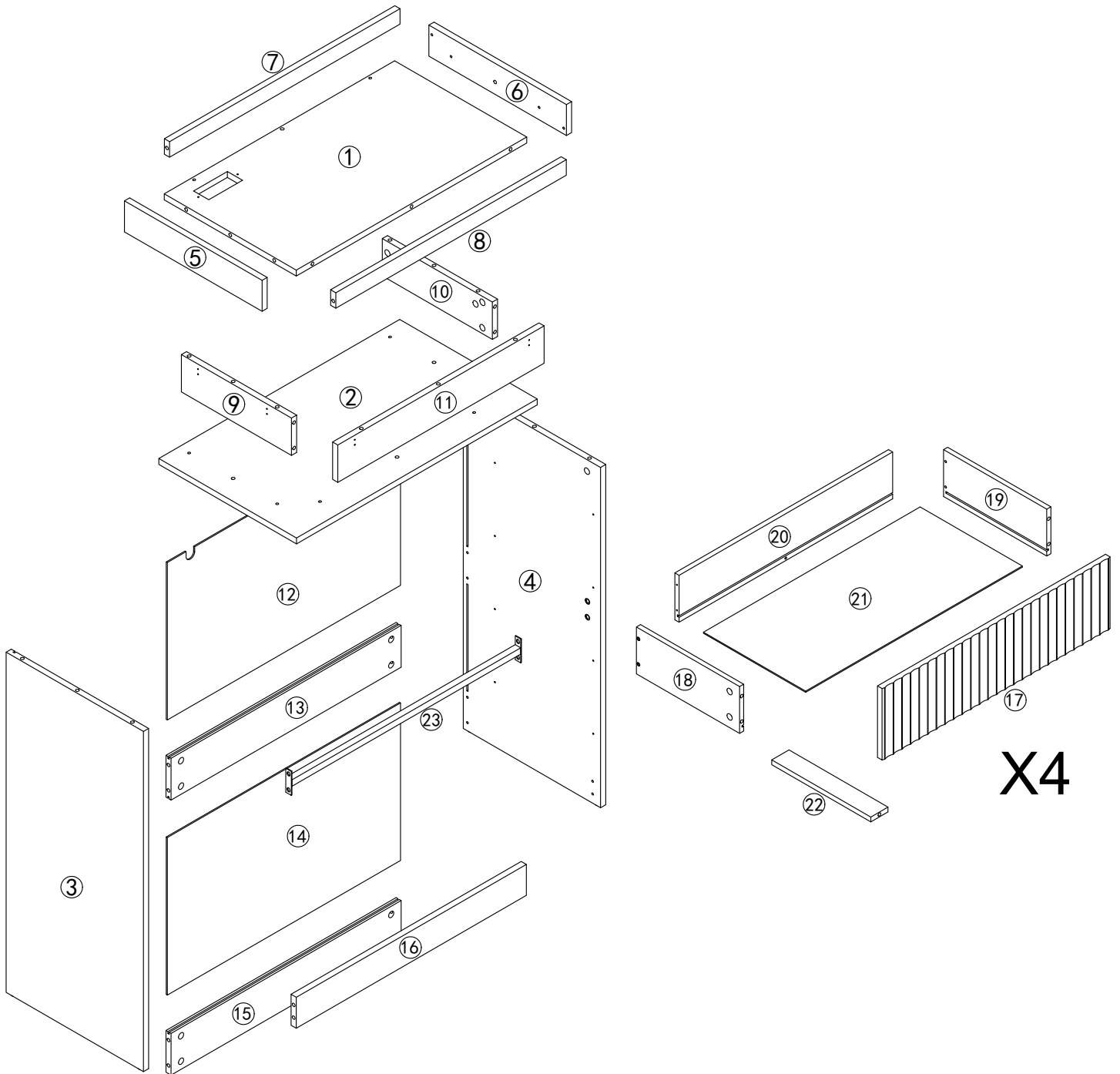


# Assembly Instruction

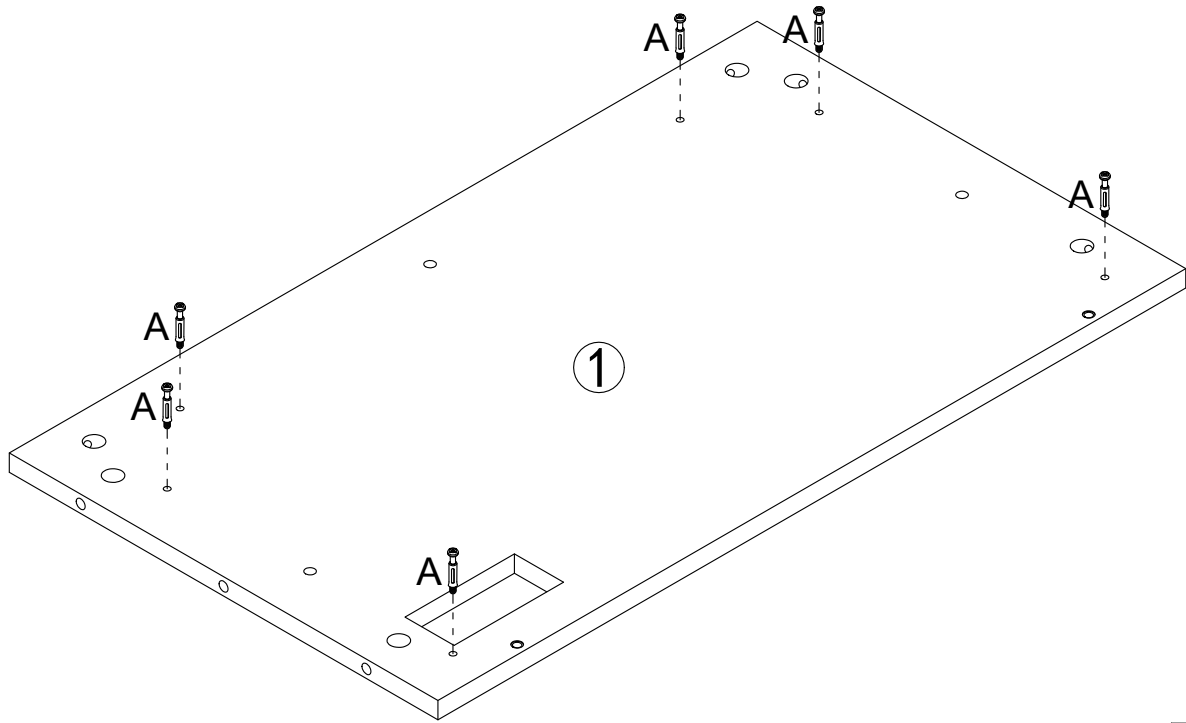



			
1PC	1PC	1PC	1PC
			
1PC	1PC	1PC	1PC
			
1PC	1PC	1PC	1PC
			
1PC	1PC	1PC	1PC
			
4PCS	4PCS	4PCS	4PCS
			
4PCS	4PCS	5PCS	

<b>A</b>	X56	<b>B</b>	X56	<b>C</b>	X50	<b>D</b>	X8	<b>E</b>	X1	<b>F</b>	X8	<b>G</b>	X12	<b>H</b>	X8
															
M6x35mm		Ø15x9mm		M3.5x12mm		M3x16mm		4mm		M5x40mm		Ø8x30mm			
<b>I</b>	X4	<b>J</b>	X22	<b>K</b>	X2	<b>M</b>	X2	<b>N</b>	X2	<b>O</b>	X4	<b>P</b>	X1	<b>Q</b>	X12
															
		M4x35mm		Ø6x30mm				M4x12mm		M6x12mm				M3x14mm	
<b>S</b>	X6	<b>T</b>	X1	<b>L</b>	X5	<b>R</b>	X5								
															
				CL DL		DR CR									

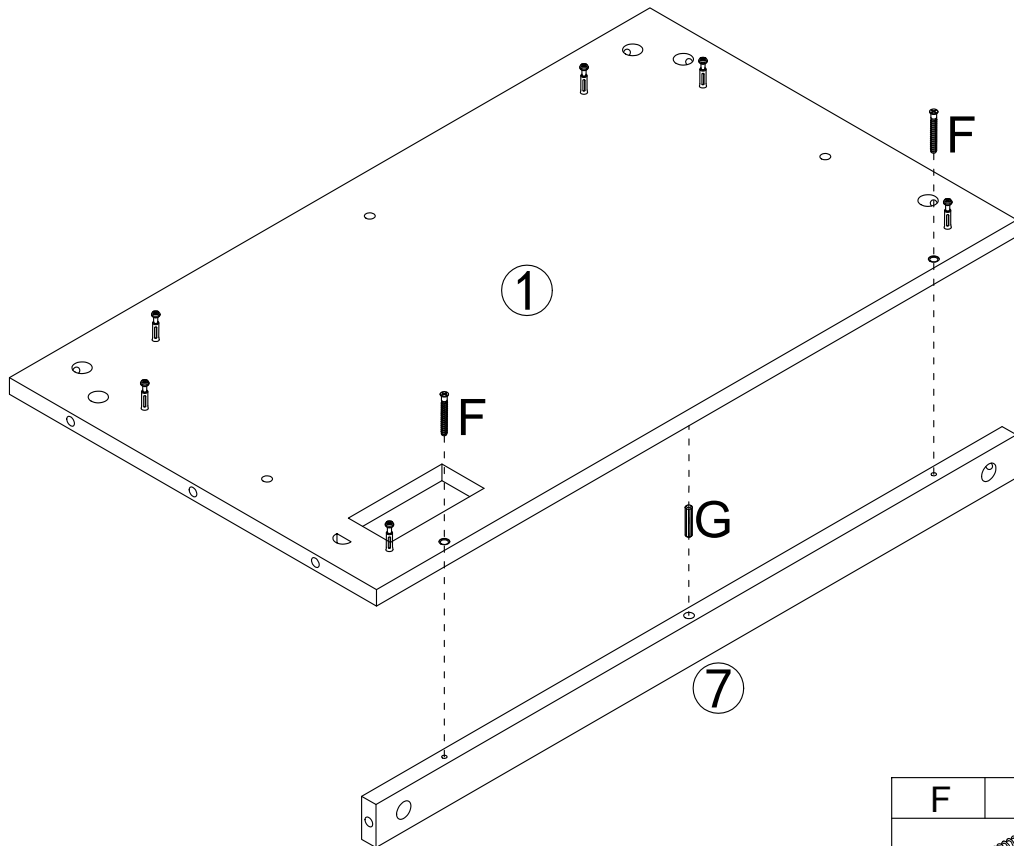



1




A	x6
	
M6x35mm	

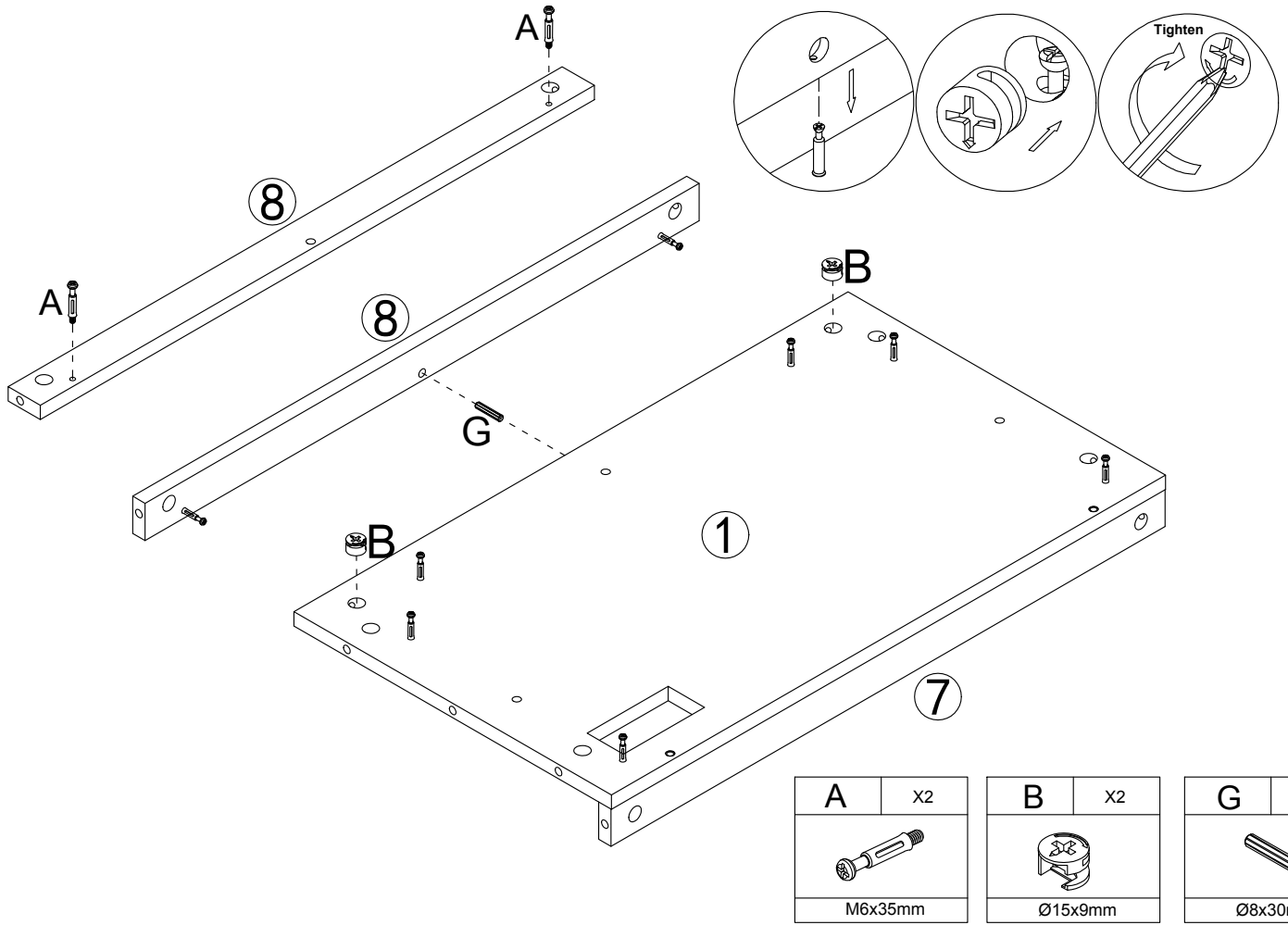
2



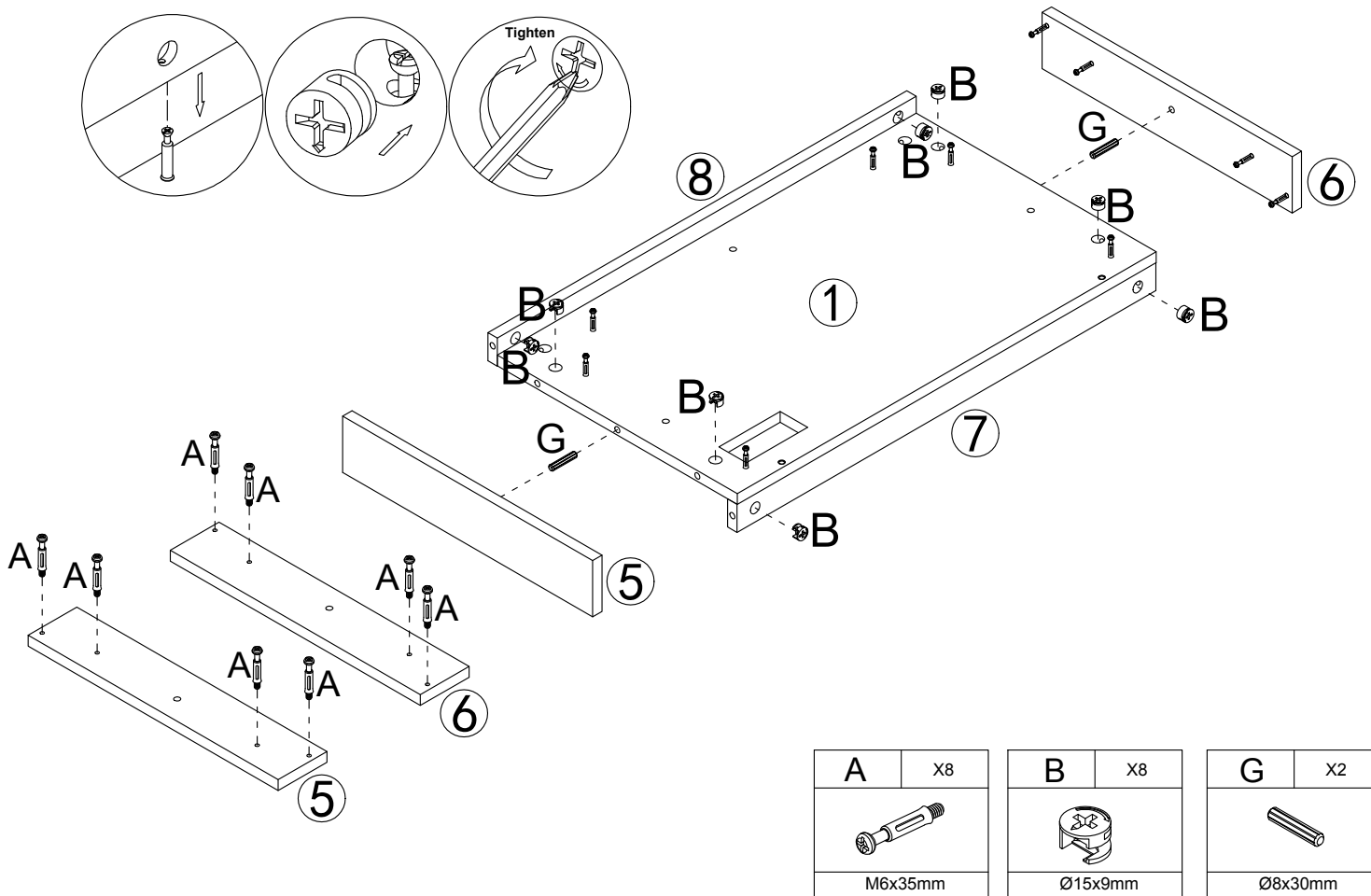
F	x2
	
M5x40mm	

G	x1
	
Ø8x30mm	

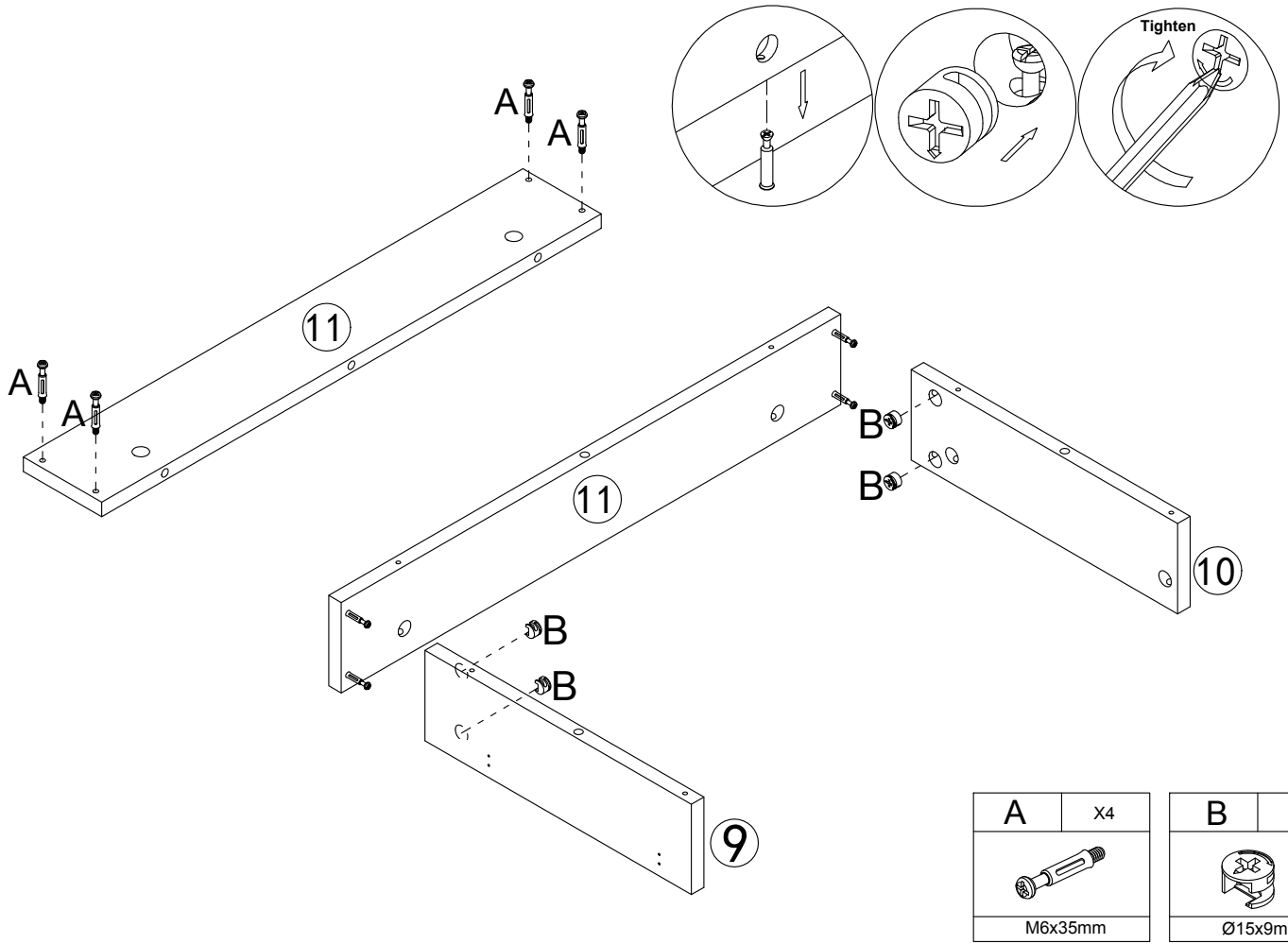
3



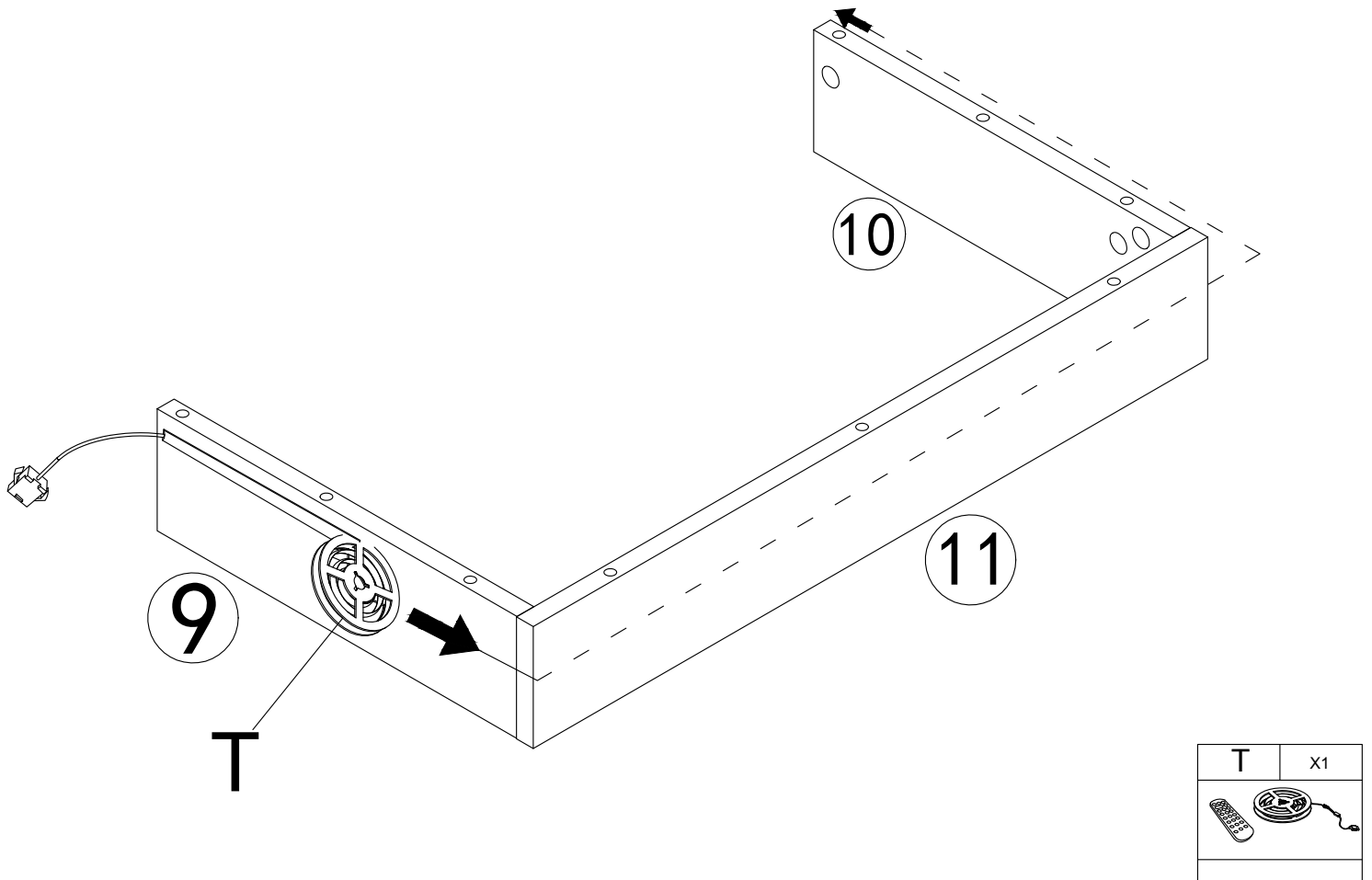
4



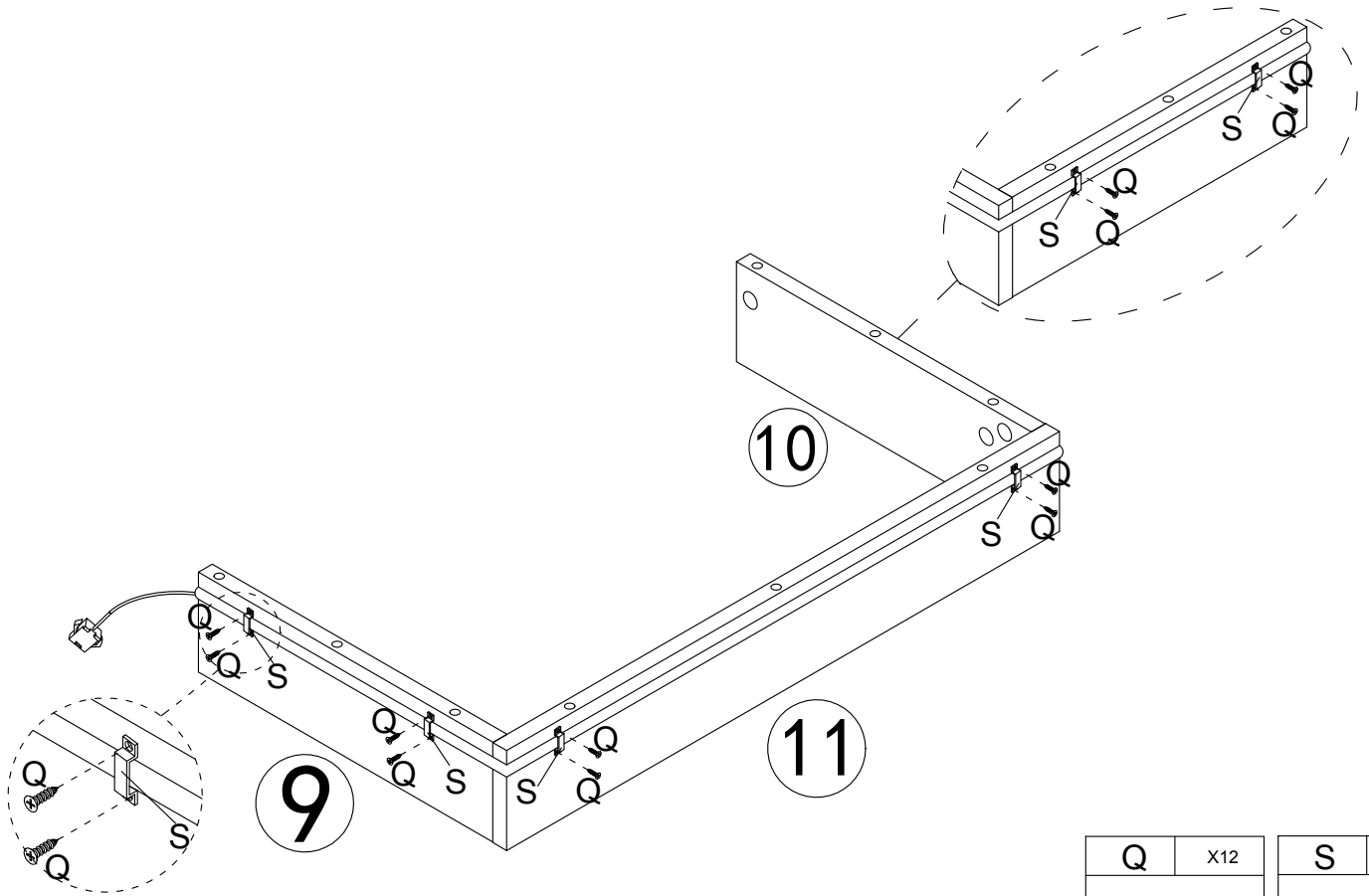
5





6

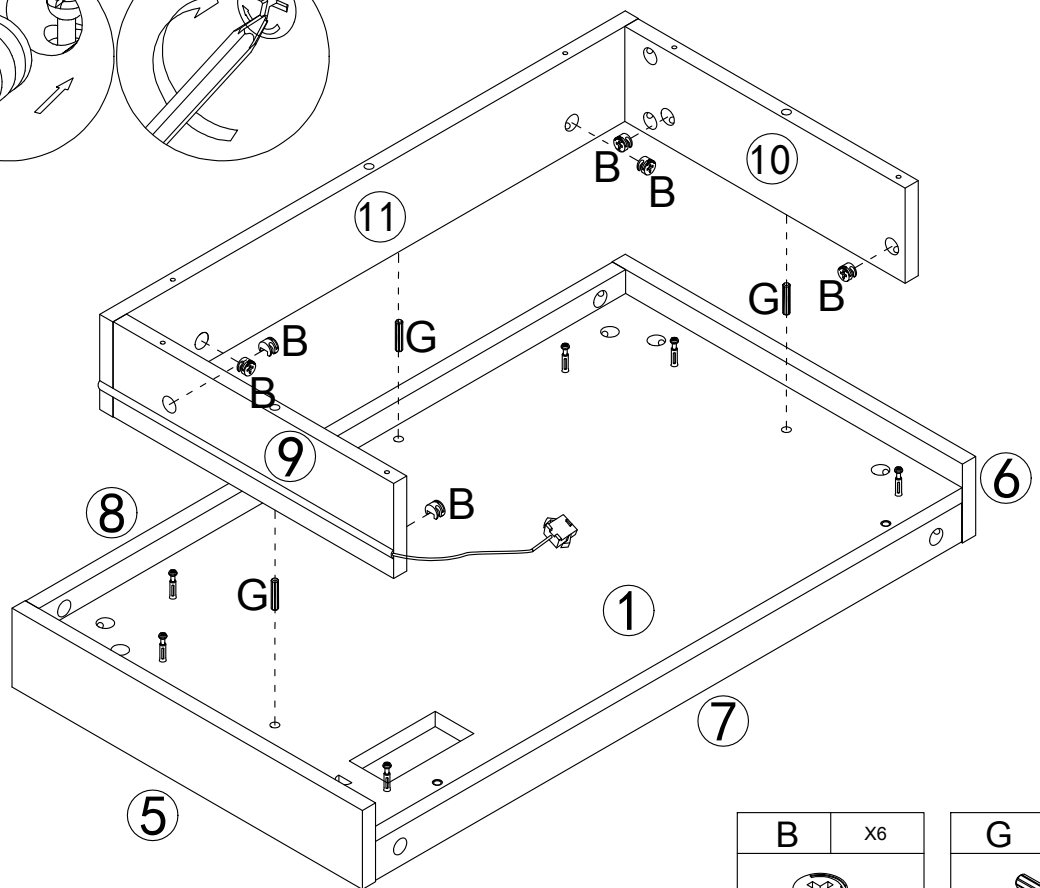
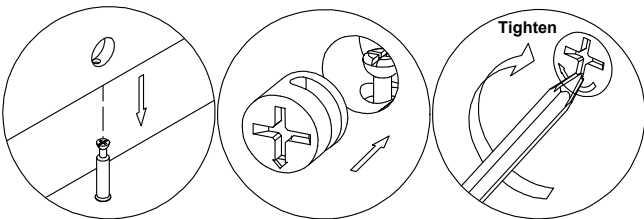




7



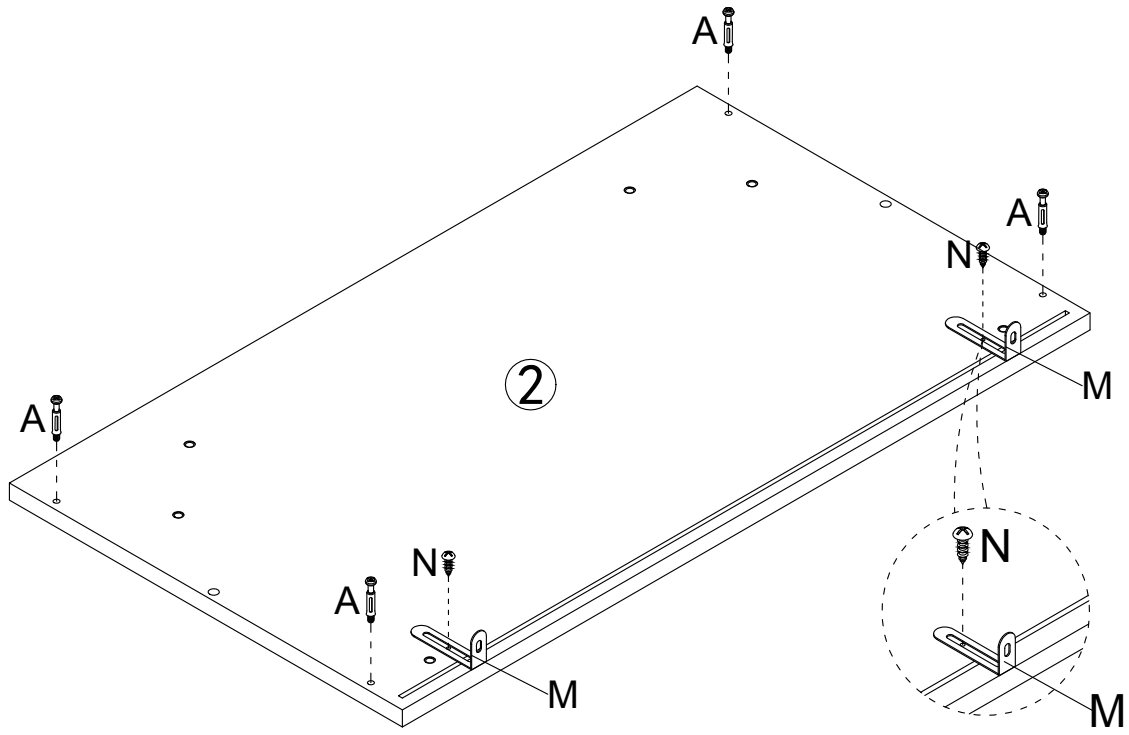
Q	X12	S	X6
			
M3x14mm			


8





B	X6	G	X3
			
Ø15x9mm		Ø8x30mm	

9

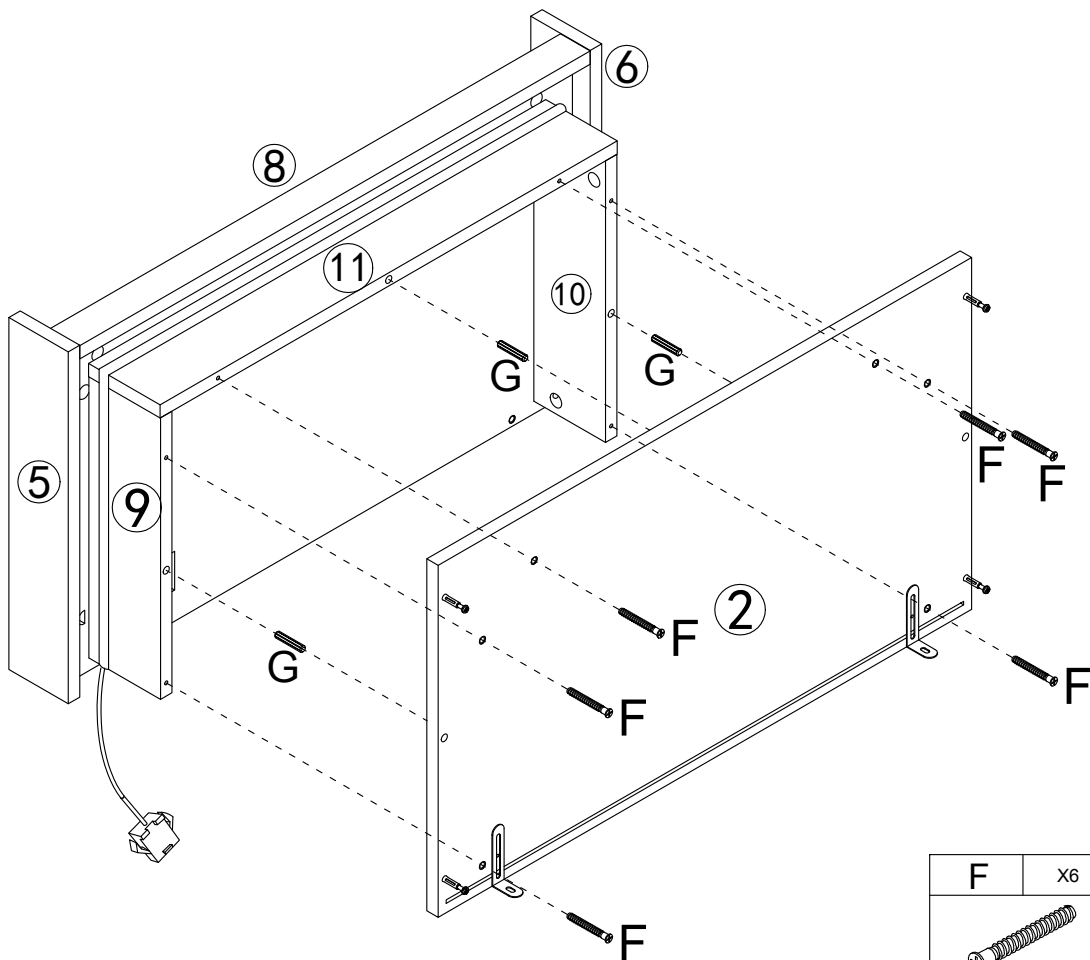



A	X4
	
M6x35mm	

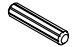
M	X2
	

N	X2
	
M4x12mm	

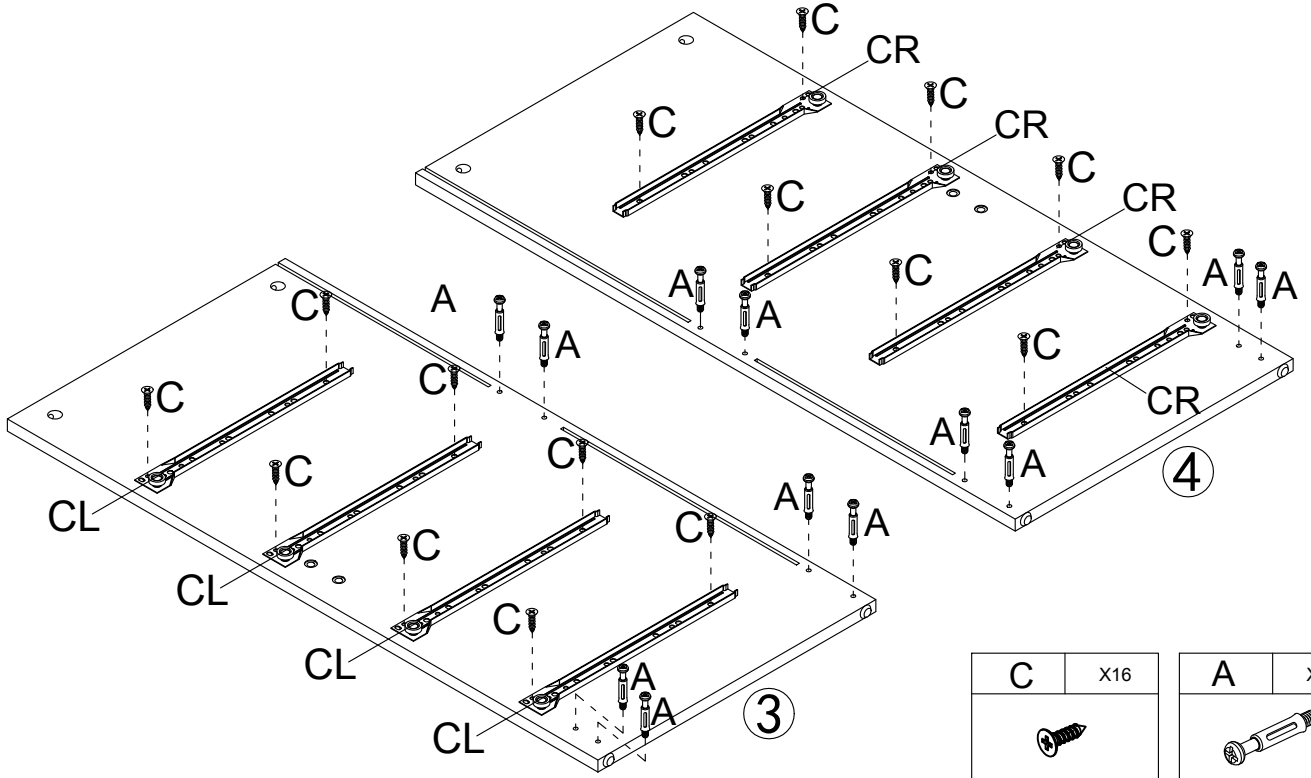
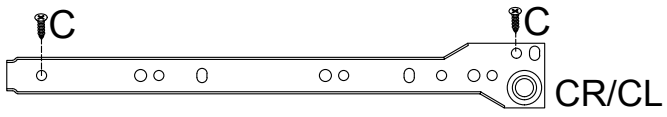
10





F	X6
	
M5x40mm	

G	X3
	
Ø8x30mm	

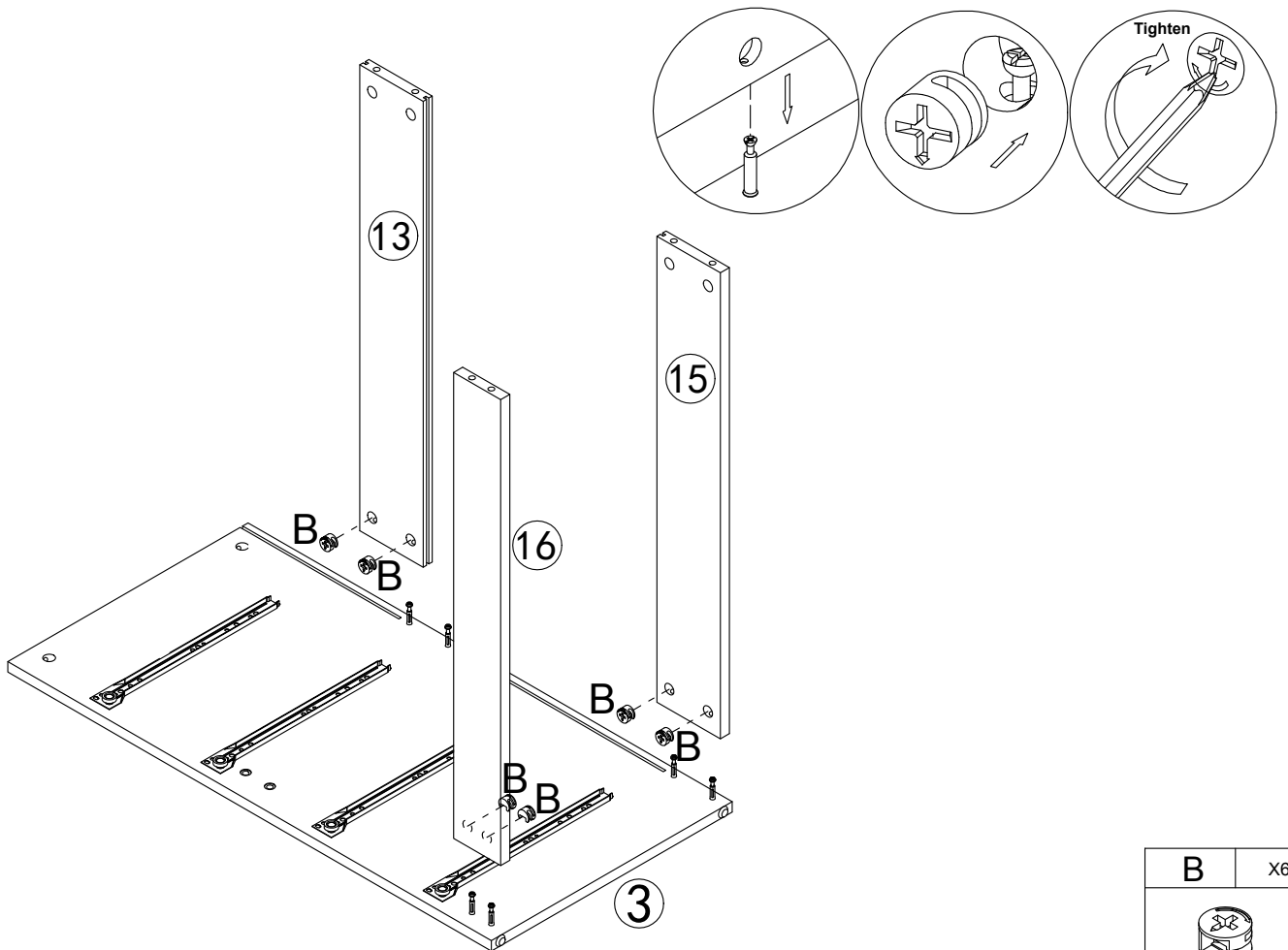
11




C	X16
	
M3.5x12mm	

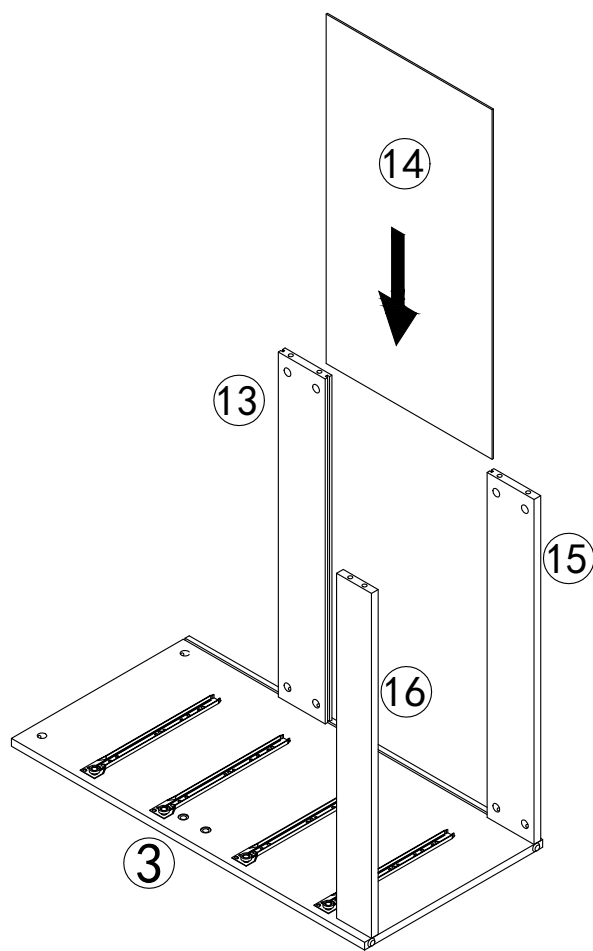
A	X12
	
M6x35mm	

12

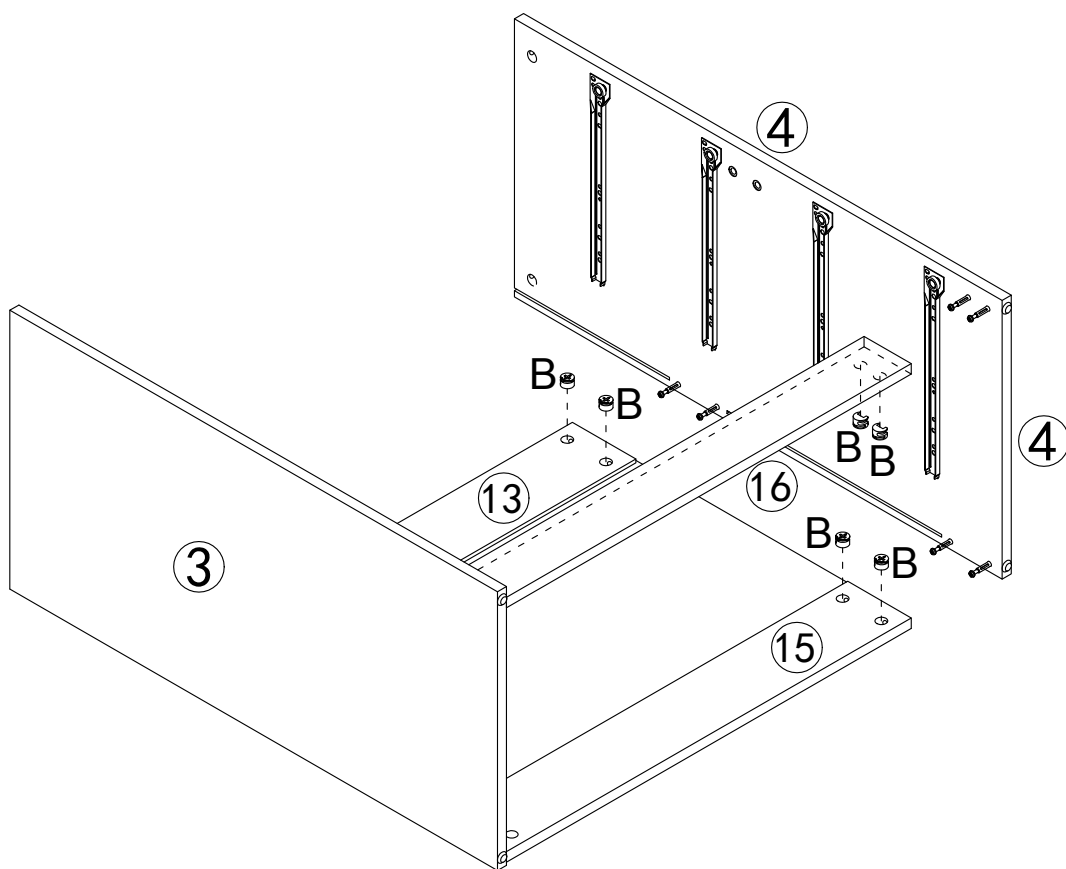


B	X6
	
Ø15x9mm	

13

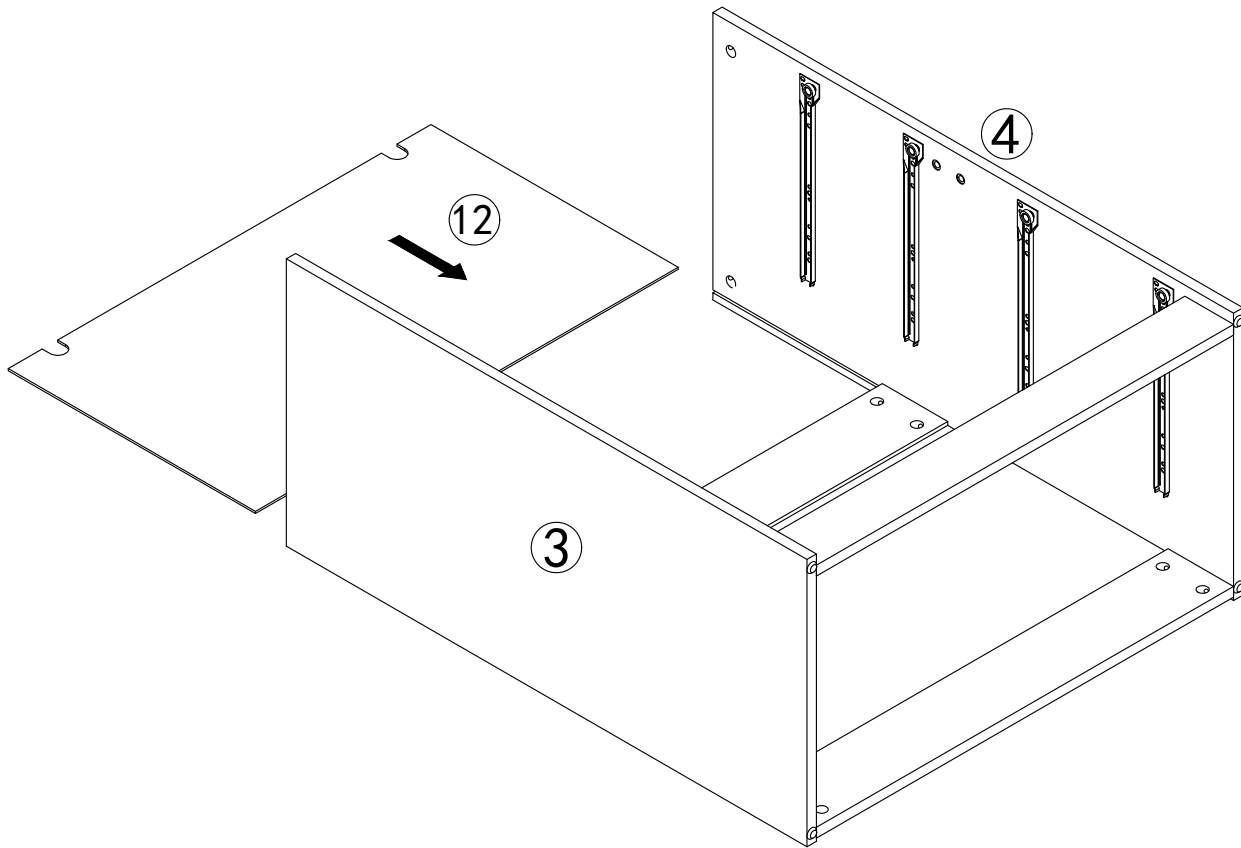


14

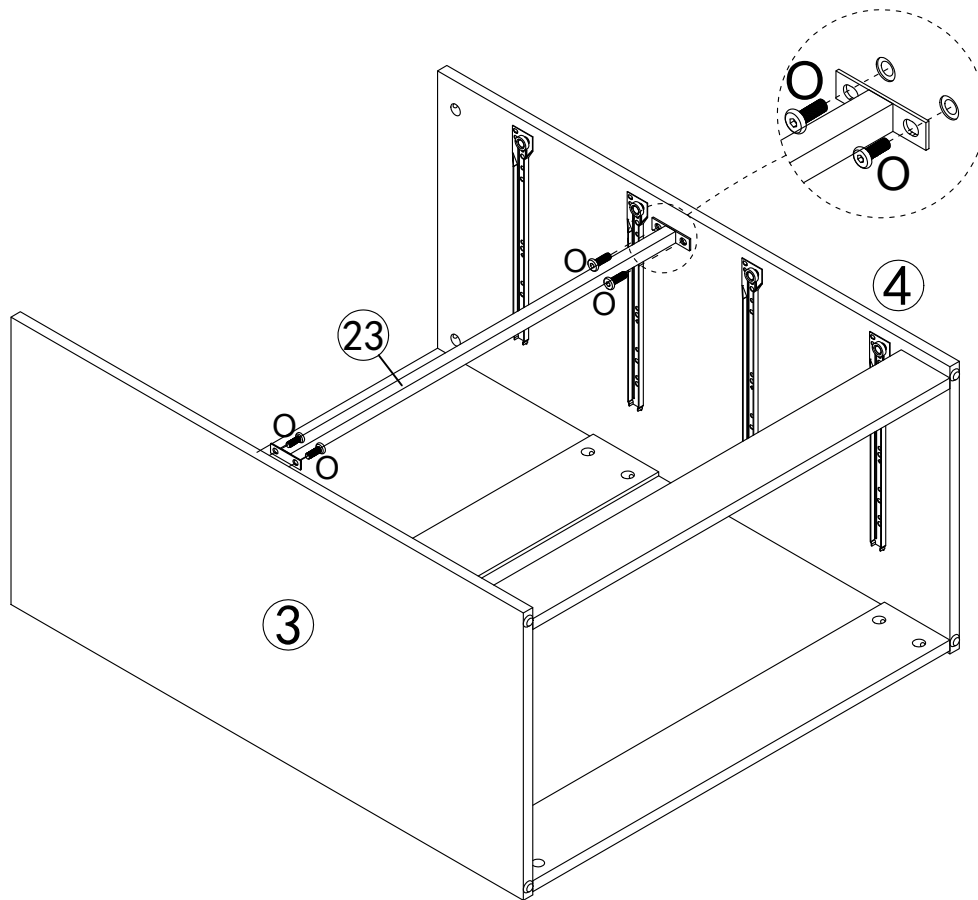



B	x6
Ø15x9mm	

15

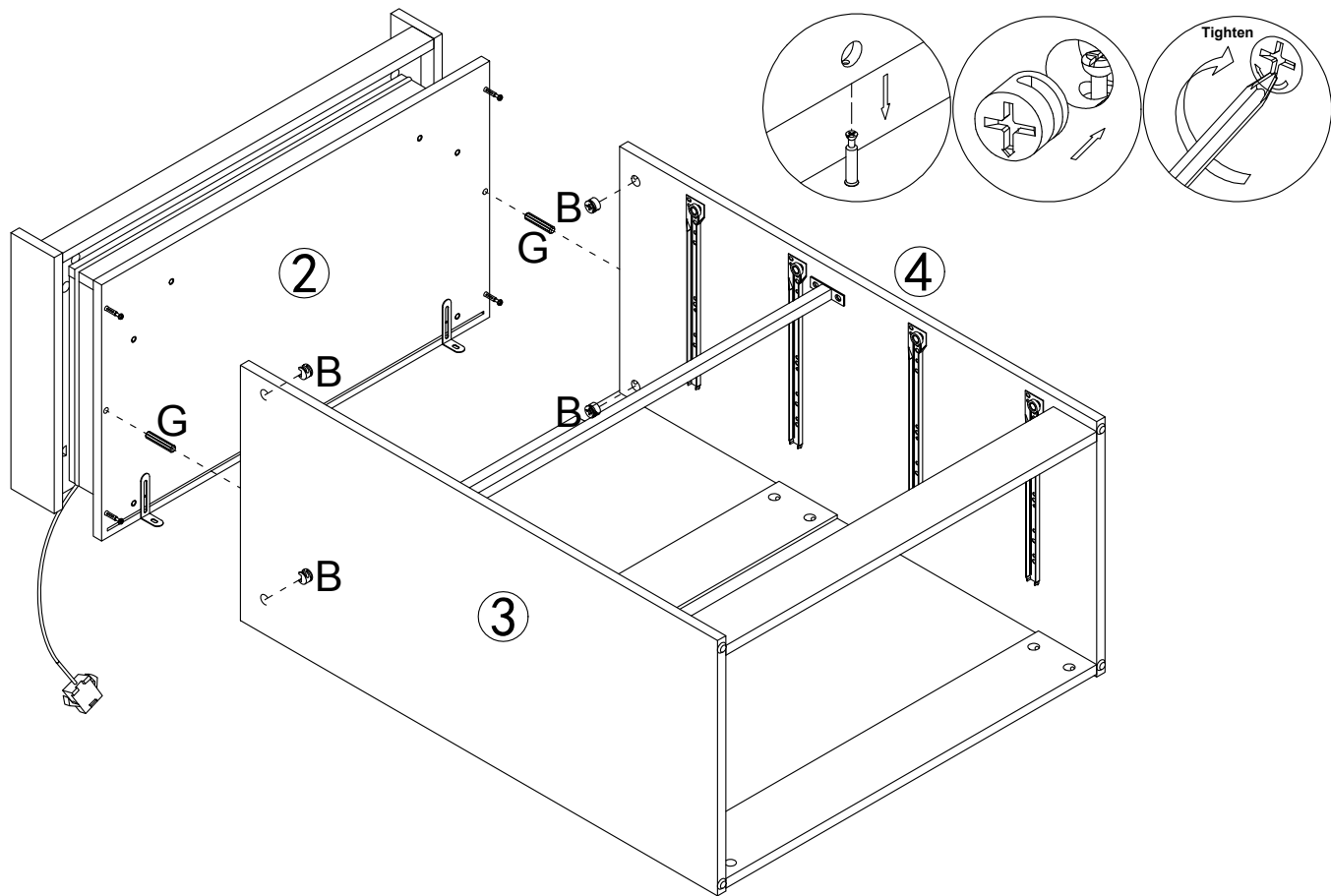


16

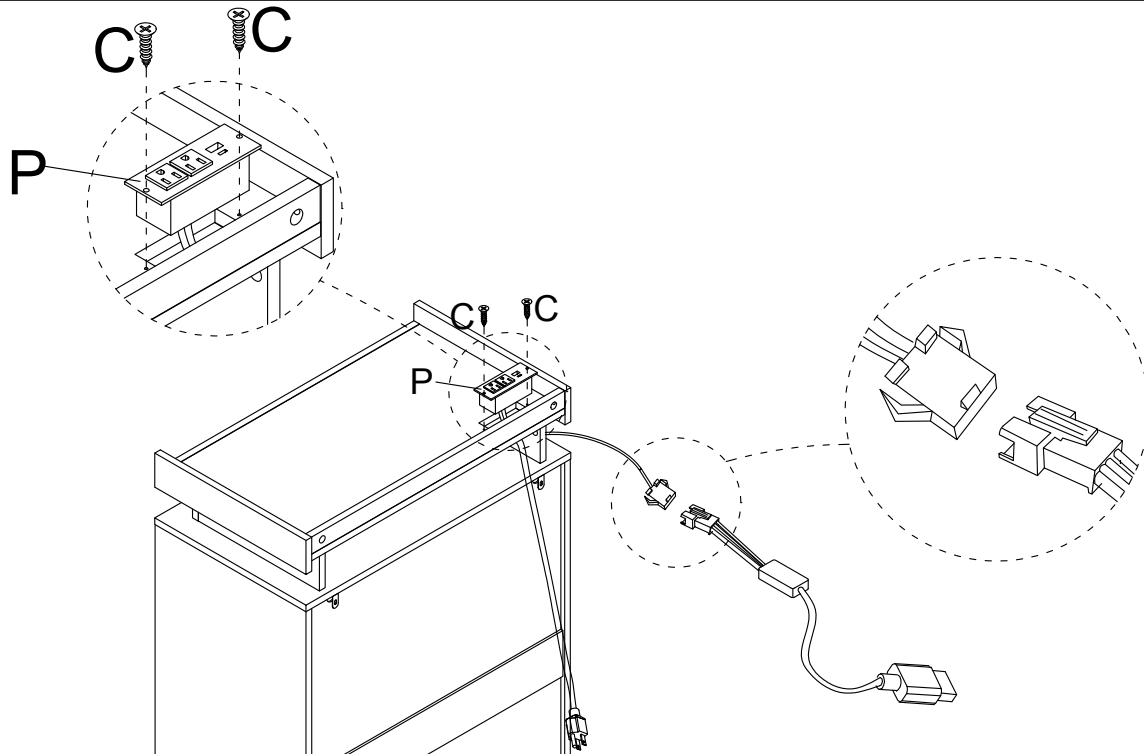



○	X4
	
M6x12mm	

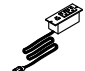
17



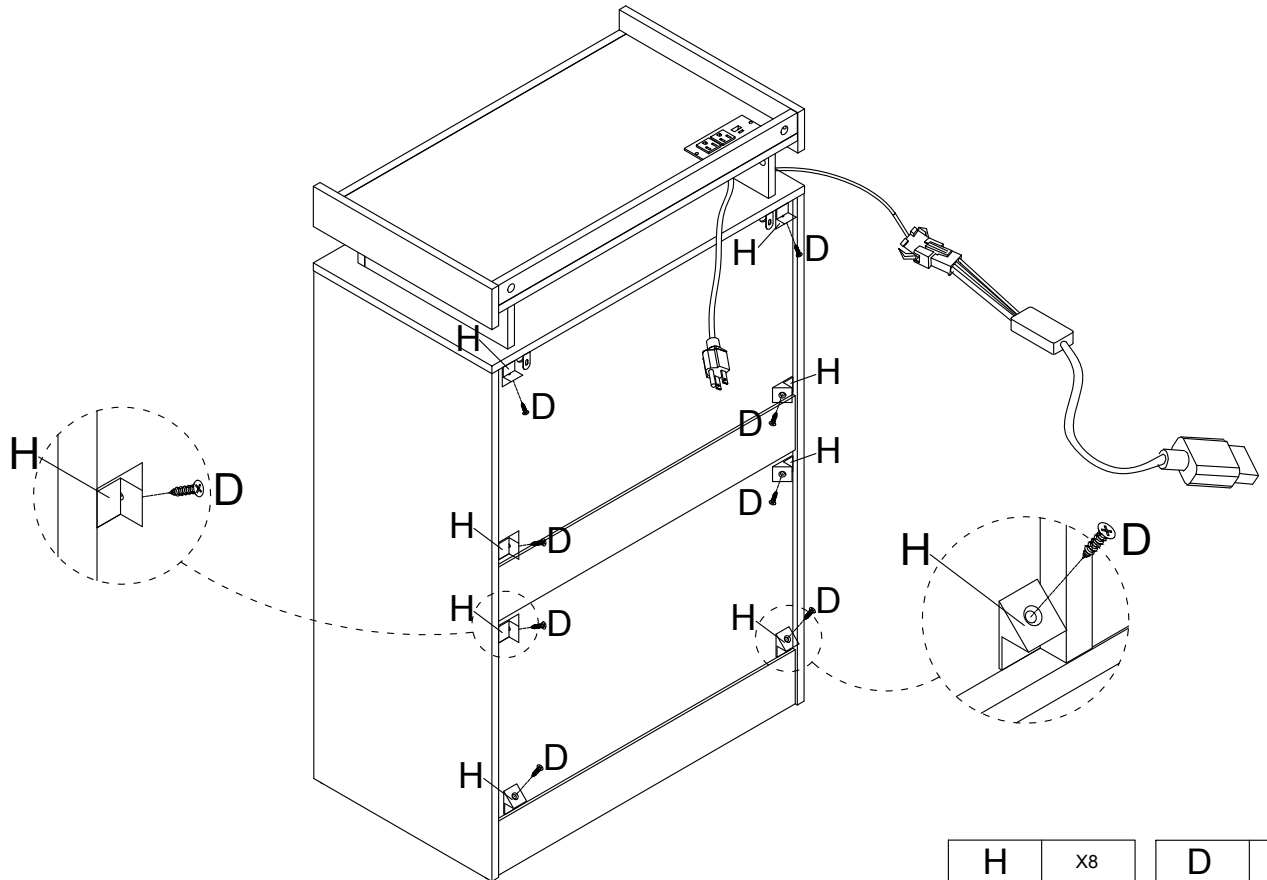
18





C	x2
	
M3.5x12mm	

P	x1
	

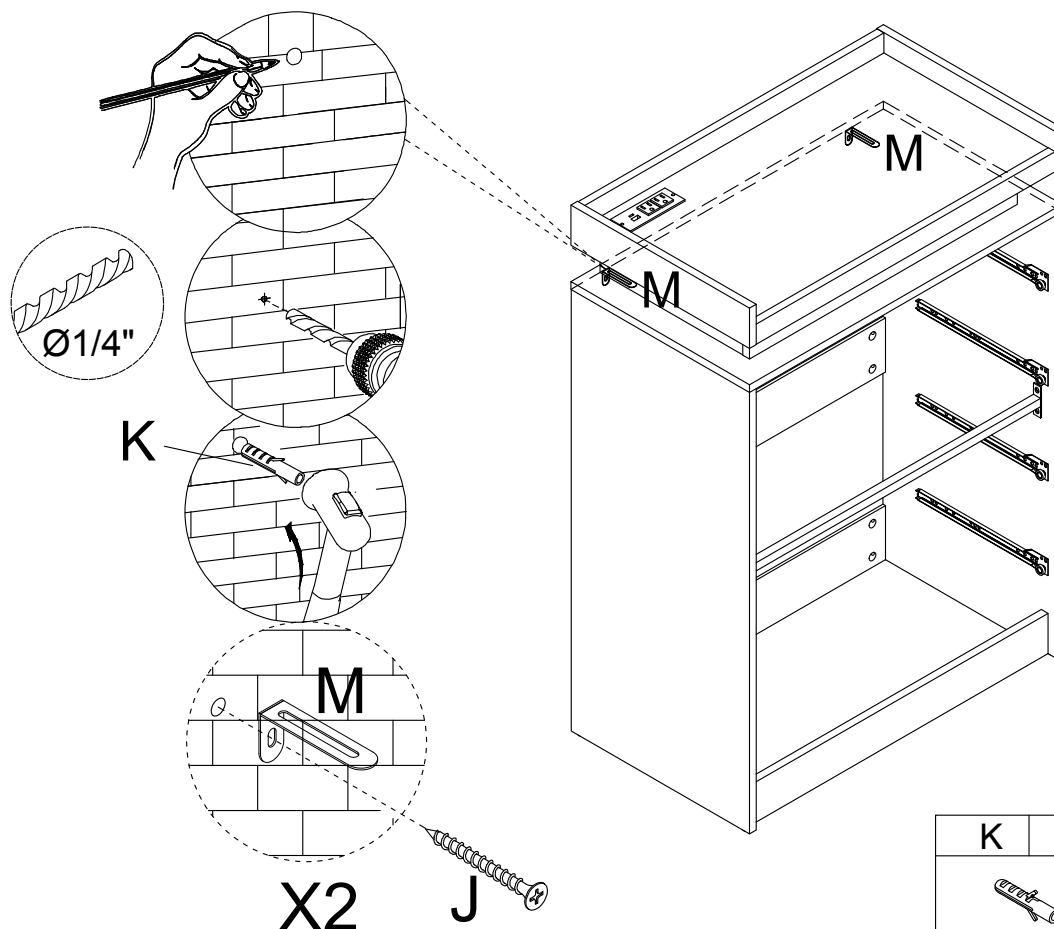
19





H	X8
	

D	X8
	
M3x16mm	

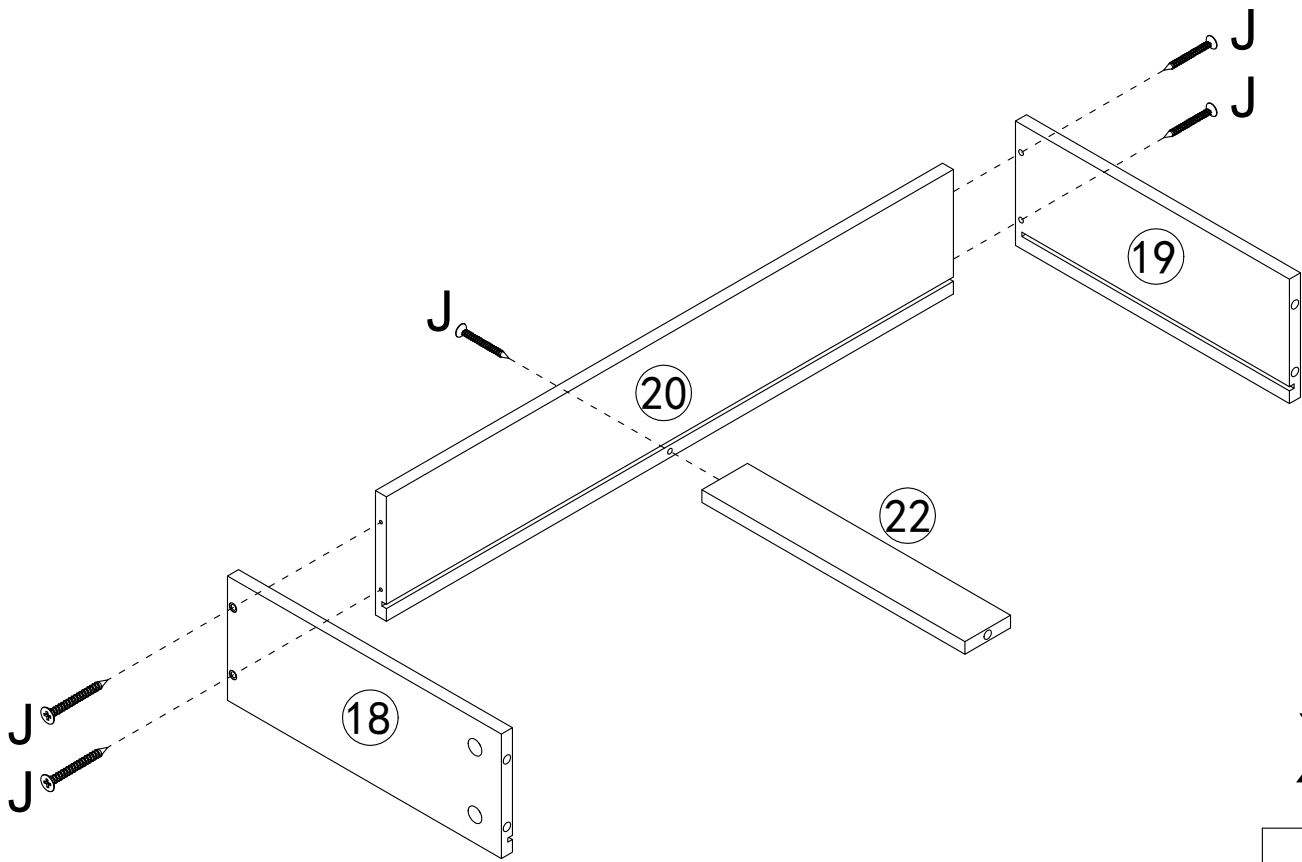
20




K	X2
	
Ø6x30mm	

J	X2
	
M4x35mm	

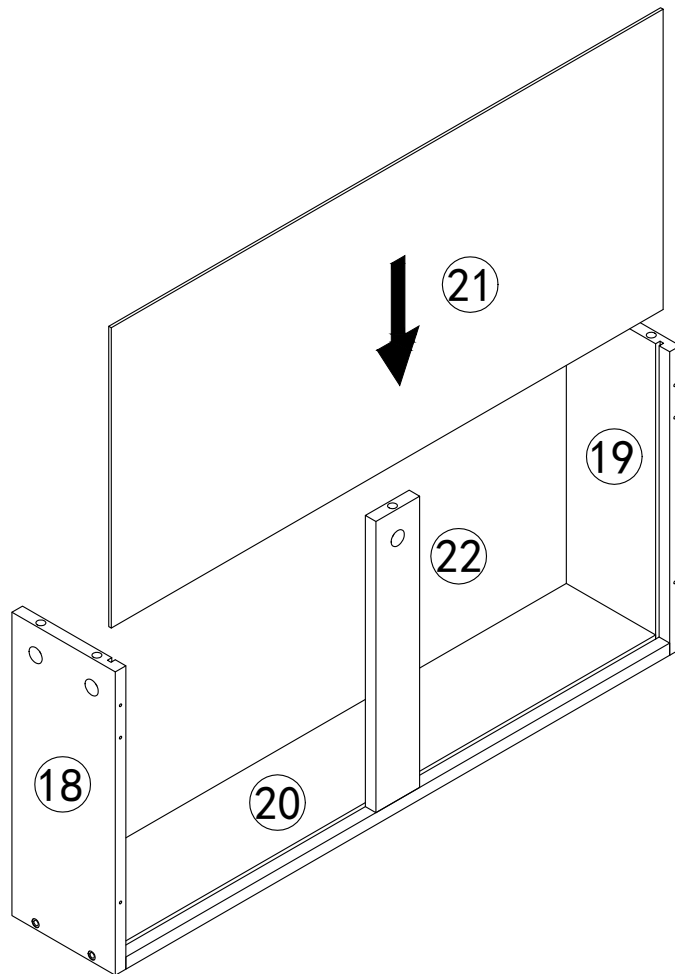
21



X4

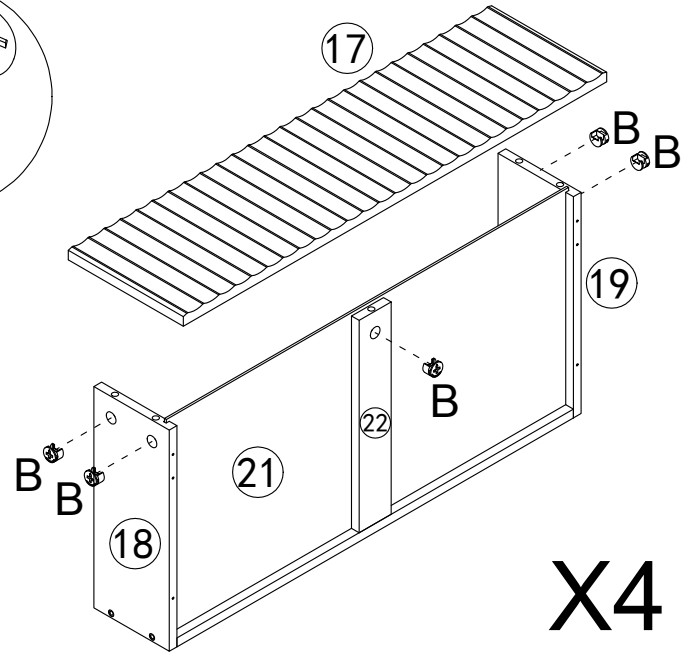
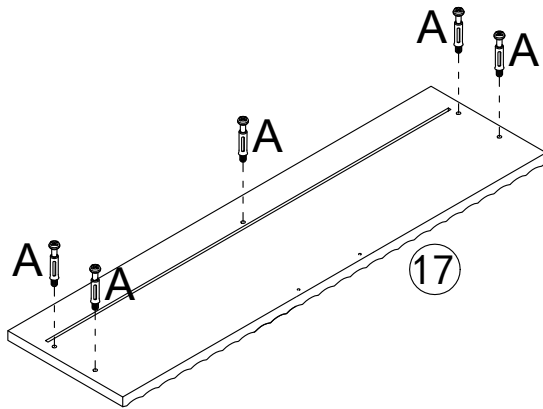
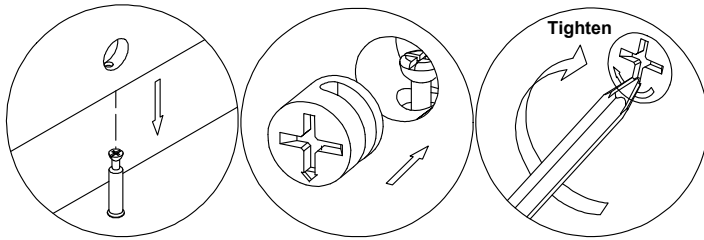
J	X20
	
M4x35mm	

22





X4

23

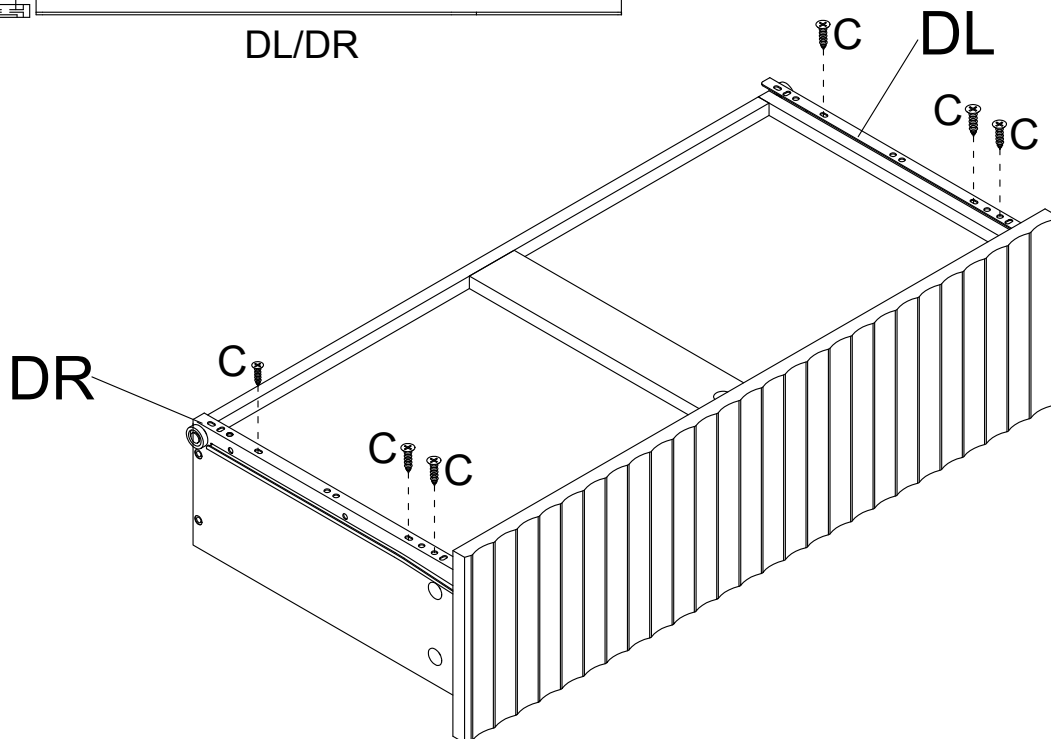
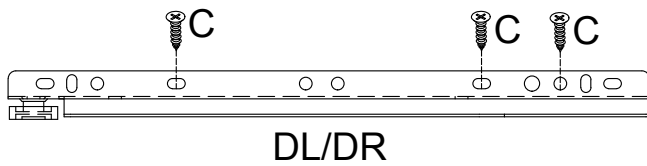


X4


A	X20
	
M6x35mm	

B	X20
	
Ø15x9mm	

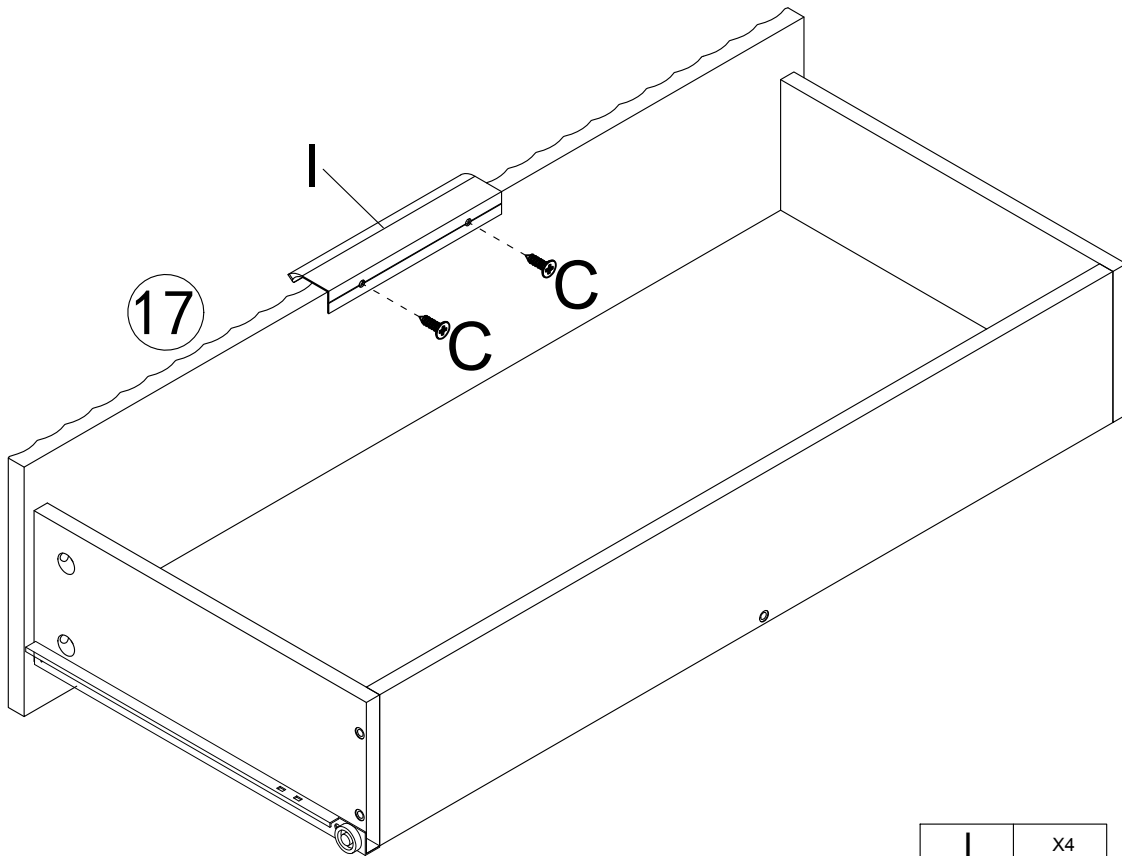
24



X4

C	X24
	
M3.5x12mm	

25



X4

I	X4

C	X8
M3.5x12mm	

26

