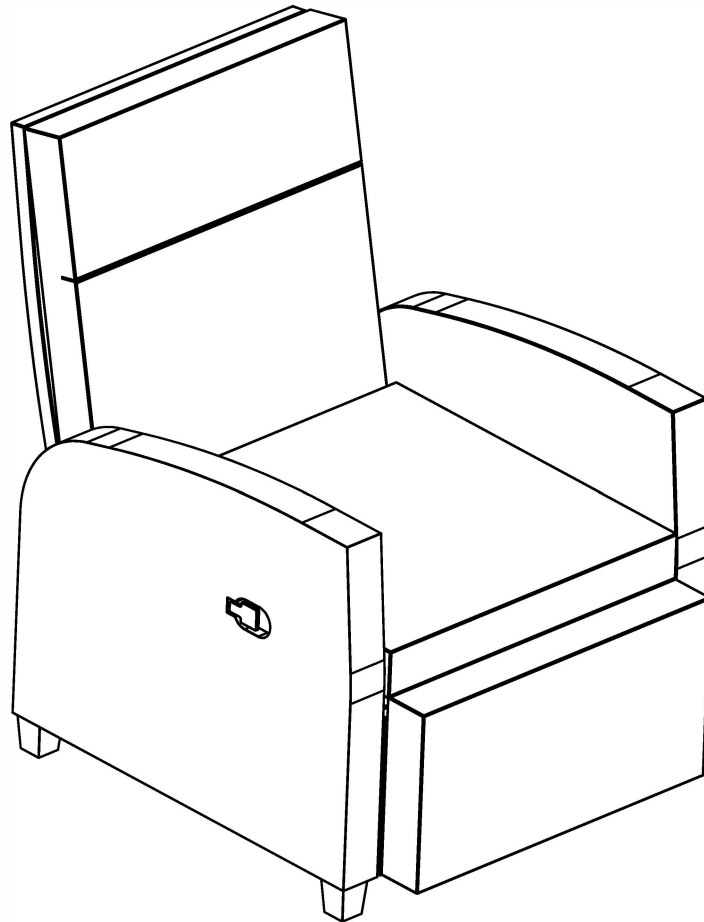


Lounge Chair



ATTENTION:

- A. Please check the manual **carefully** and make sure you have received all the parts.
- B. If there is any missing , please let us know the letter of the parts you need.
- C. If there is any damage , please send clear photos to us , we will check and offer you best solution soon.

► **TIPS** : The cushion in the box is vacuum-packed. Once the vacuum-sealed packaging is opened, the product cannot be returned or replaced, as it is impossible to repackage it to its original state!

Please unpack the vacuum packaging with caution. Thank you for your understanding.

ASSEMBLY GUIDE

Thank you for shopping from us!

To ensure a smooth installation and optimal use of this product, please carefully read the precautions and detailed operation instructions in this manual. We hope you have a great experience!

This assembly guide includes the Part List, Installation Steps, and Warning Tips.

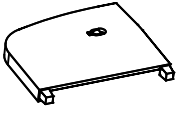
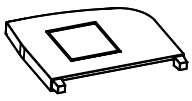
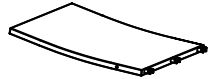
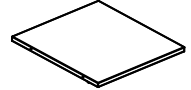


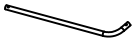






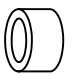







To ensure your package arrives safely and intact, this item will be shipped in 1 box. Please check your package upon receipt.

Contact us:

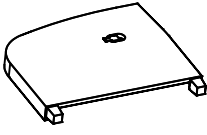
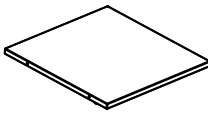




If you have any questions, please contact our customer service staff immediately. We will reply to your message within 24 hours.

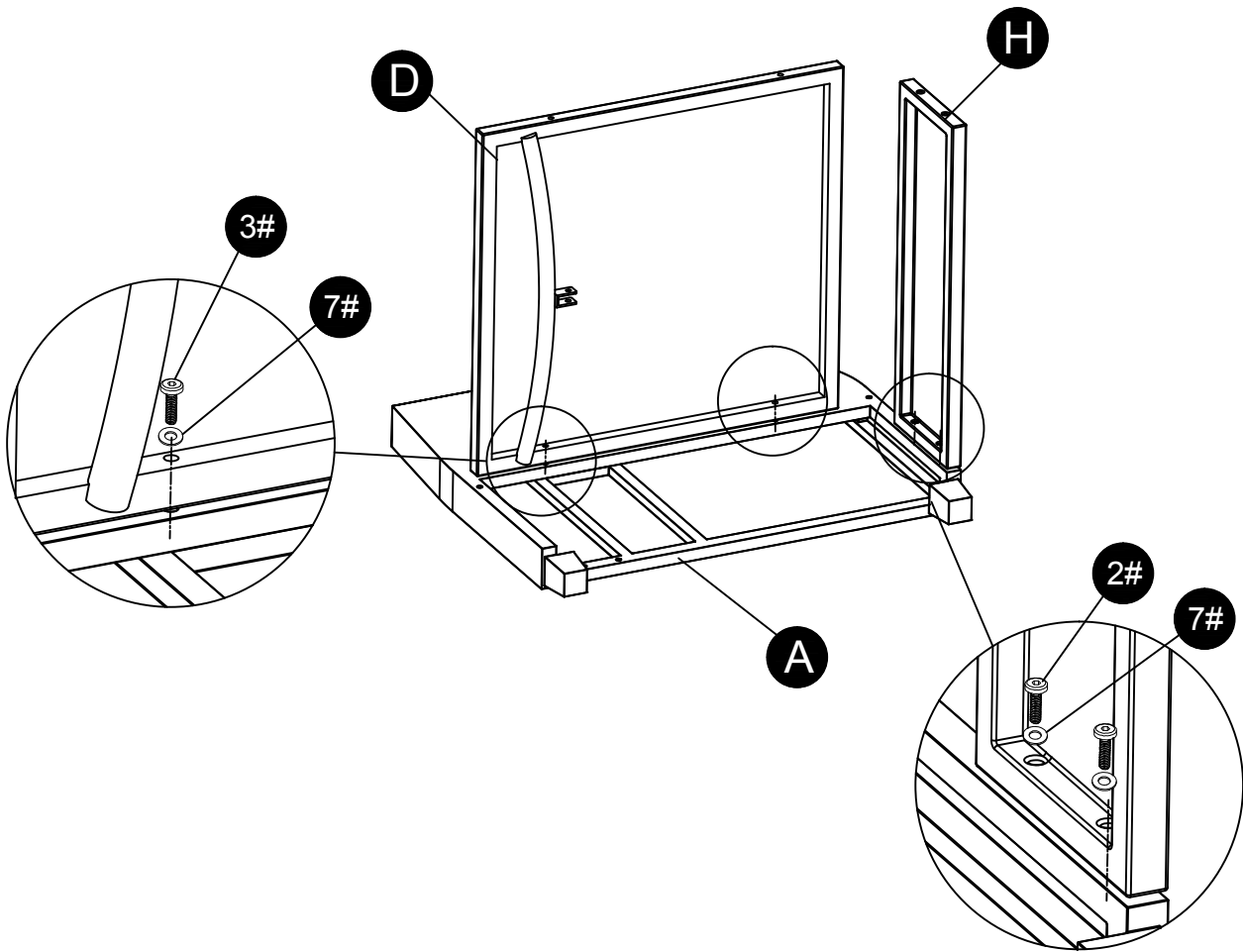
1. Go to Your Orders.
2. Find your order in the list.
3. Select Problem with order.
4. Choose your topic from list displayed.
5. Select Contact seller.

Parts List

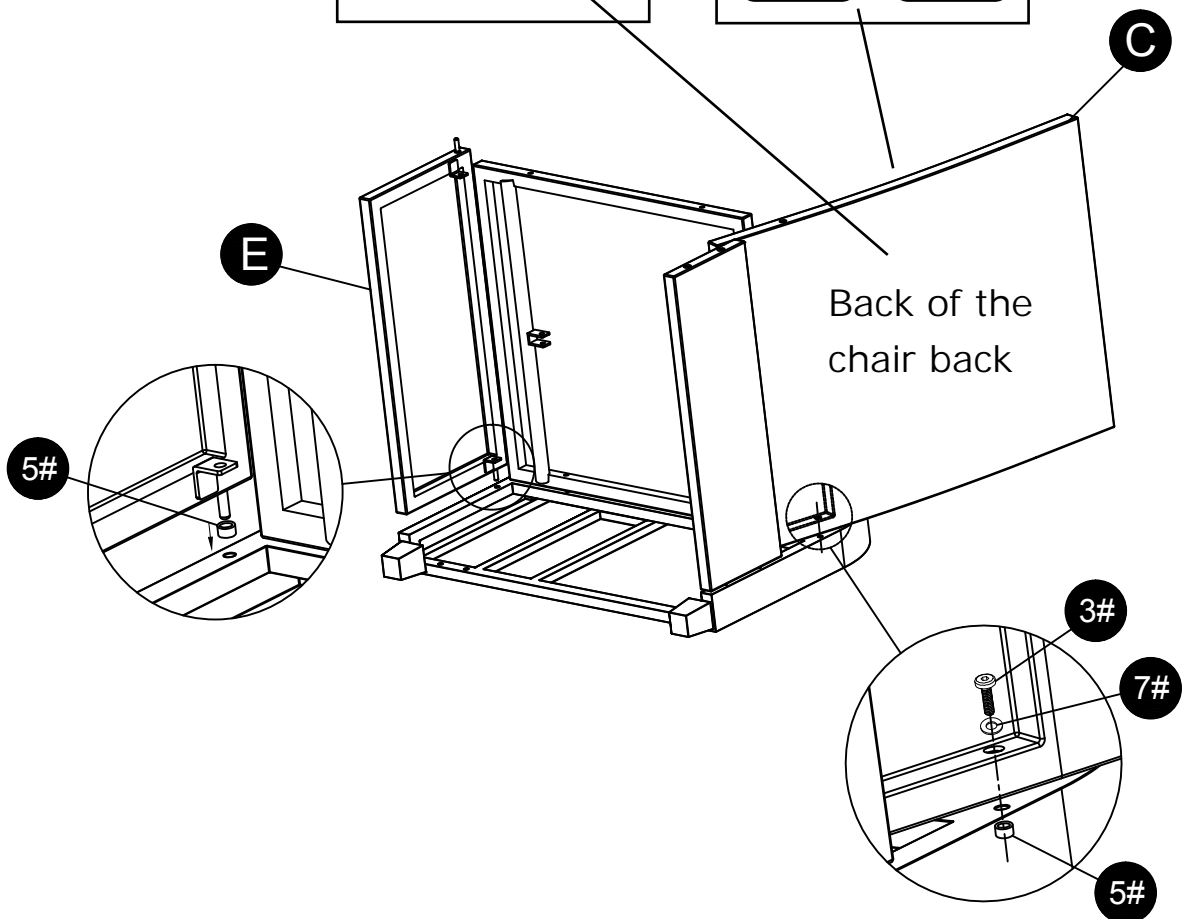
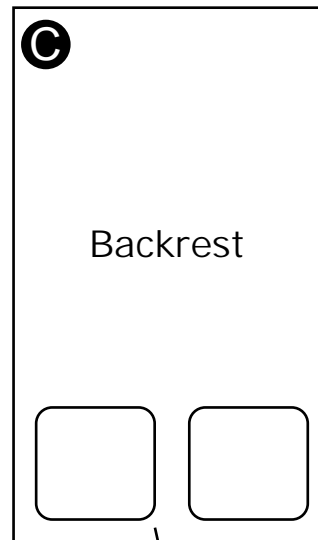
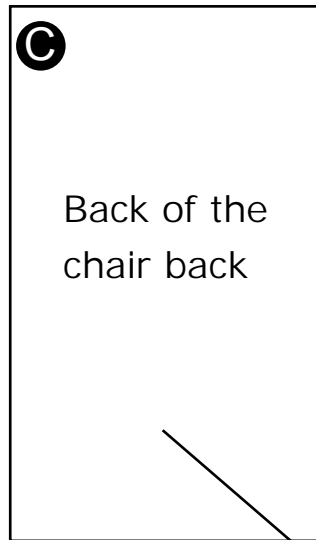
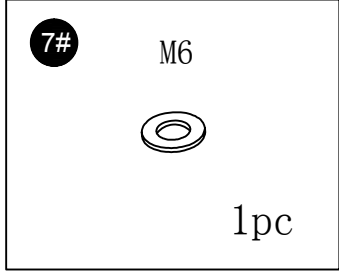
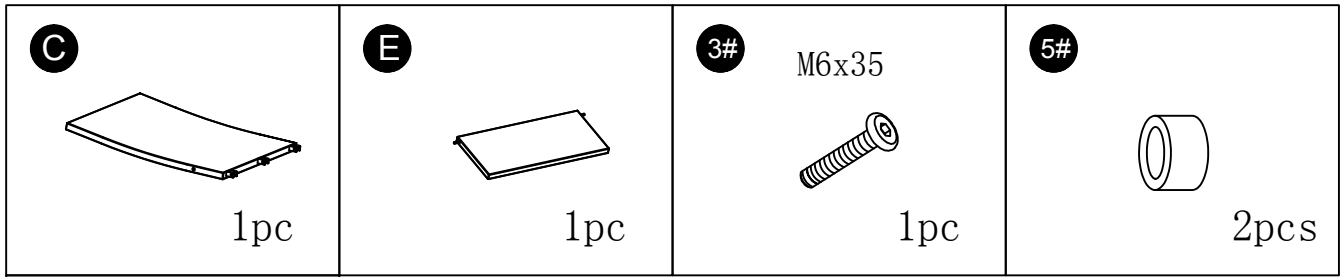
<p>A</p>  <p>1PC</p>	<p>B</p>  <p>1PC</p>	<p>C</p>  <p>1PC</p>	<p>D</p>  <p>1PC</p>
<p>E</p>  <p>1PC</p>	<p>F</p>  <p>1PC</p>	<p>G</p>  <p>2PCS</p>	<p>H</p>  <p>1PC</p>
<p>9</p>  <p>1PC</p>			
<p>1#</p>  <p>M6x15 4 pcs</p>	<p>2#</p>  <p>M6x25 4 pcs</p>	<p>3#</p>  <p>M6x35 6 pcs</p>	<p>4#</p>  <p>M8x40 2 pcs</p>
<p>5#</p>  <p>4 pcs</p>	<p>6#</p>  <p>M8 6 pcs</p>	<p>7#</p>  <p>M6 14 pcs</p>	<p>8#</p>  <p>M8 12 pcs</p>
<p>9#</p>  <p>M8x30 4 pcs</p>	<p>10#</p>  <p>M6 1 pc</p>	<p>11#</p>  <p>M8 1 pc</p>	<p>12#</p>  <p>1 pc</p>

STEP 1

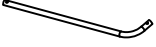



A  1pc	D  1pc	H  1pc	2# M6x25  2pcs
7# M6  4pcs	3# M6x35  2pcs		

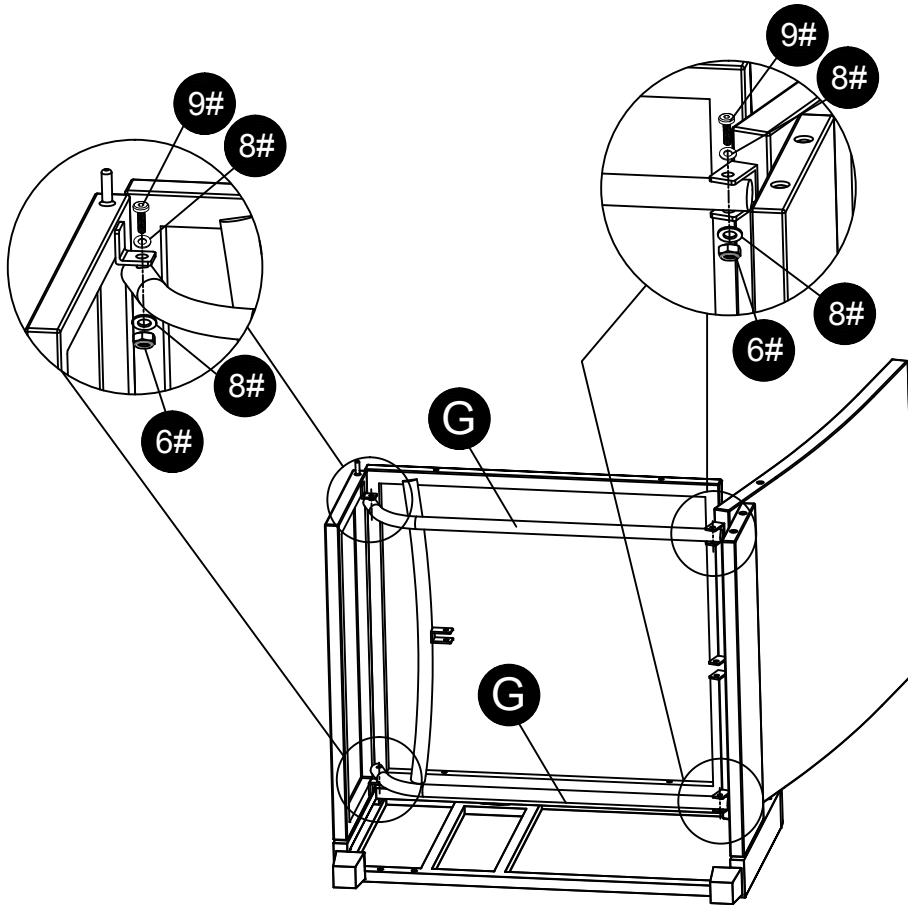


STEP 2






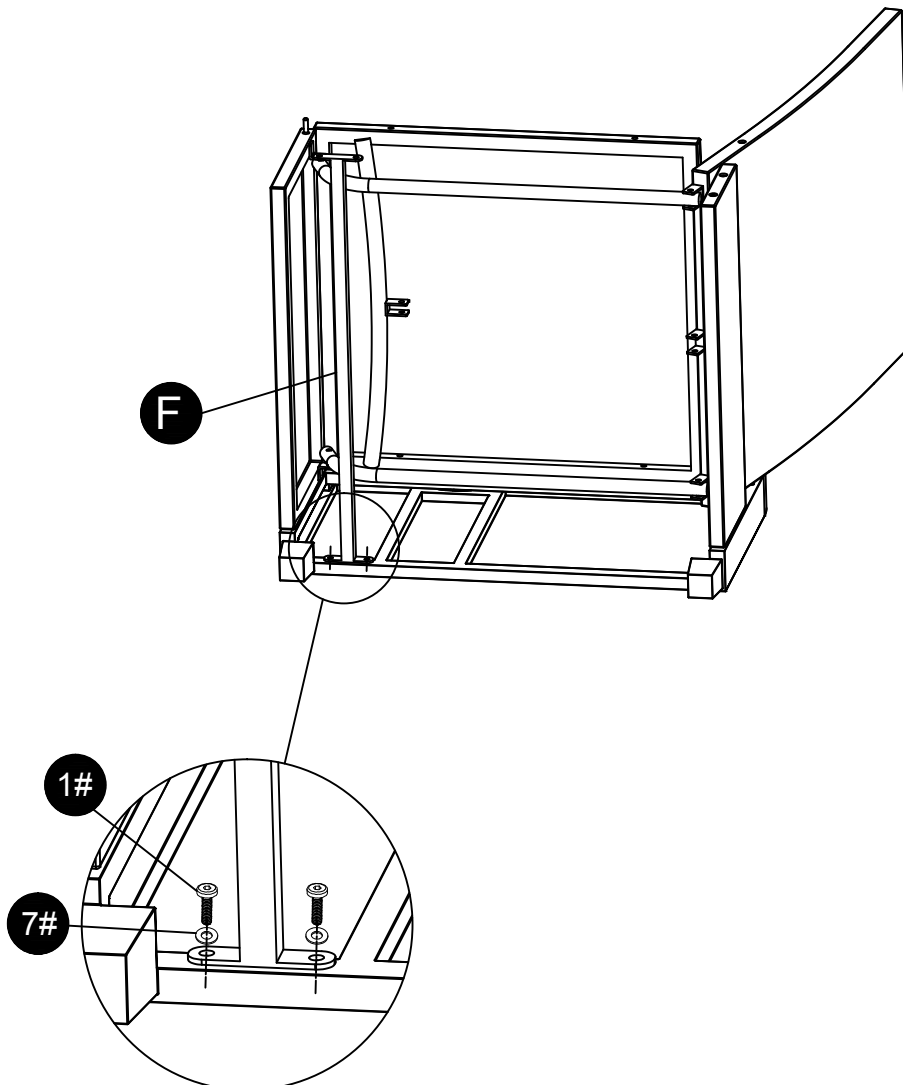
STEP 3

<p>G</p>  <p>2pcs</p>	<p>9# M8x30</p>  <p>4pcs</p>	<p>6# M8</p>  <p>4pcs</p>	<p>8# M8</p>  <p>8pcs</p>
---	--	---	---



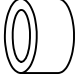
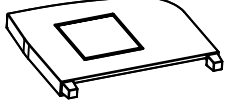



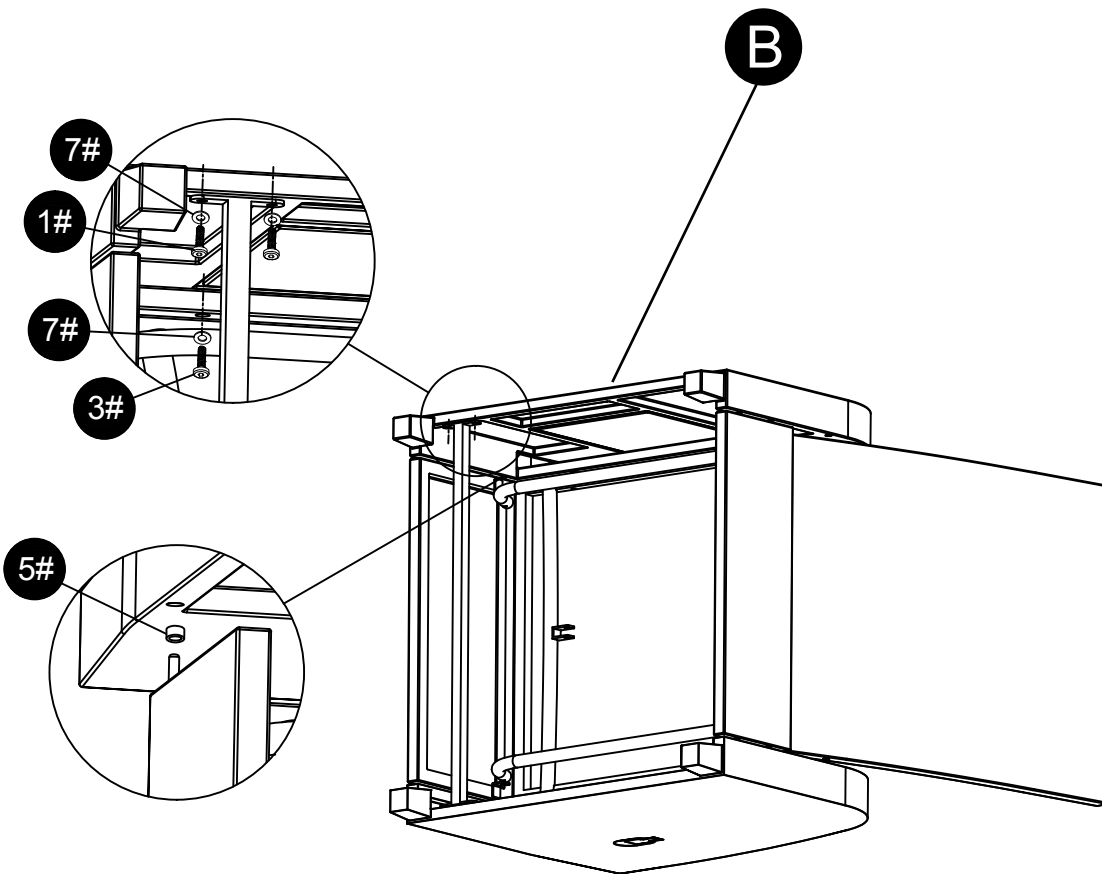
STEP 4

<p>F</p>  <p>1pc</p>	<p>1# M6x15</p>  <p>2pcs</p>	<p>7# M6</p>  <p>2pcs</p>
--	--	---



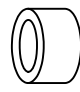



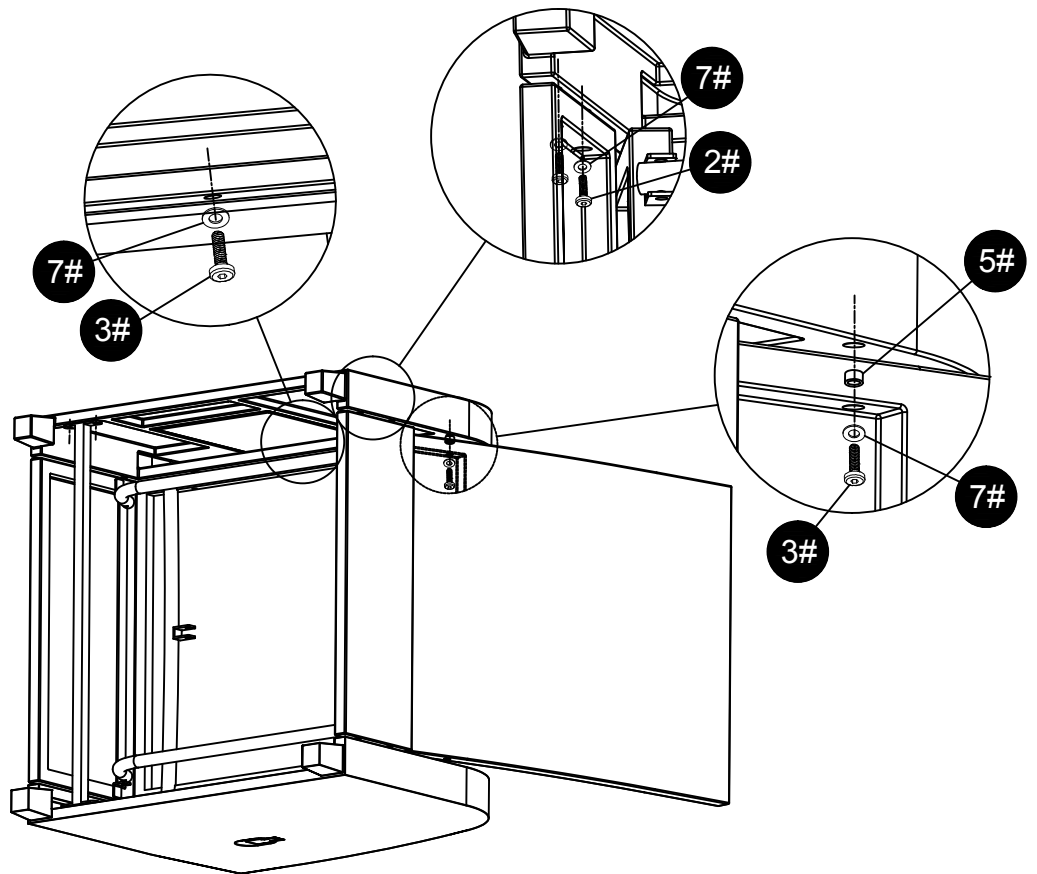
STEP 5

<p>3# M6x35</p>  <p>1pcs</p>	<p>7#</p>  <p>3pcs</p>	<p>5#</p>  <p>1pcs</p>	<p>B</p>  <p>1pc</p>
<p>1# M6x15</p>  <p>2pcs</p>			




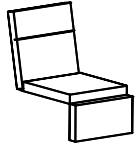


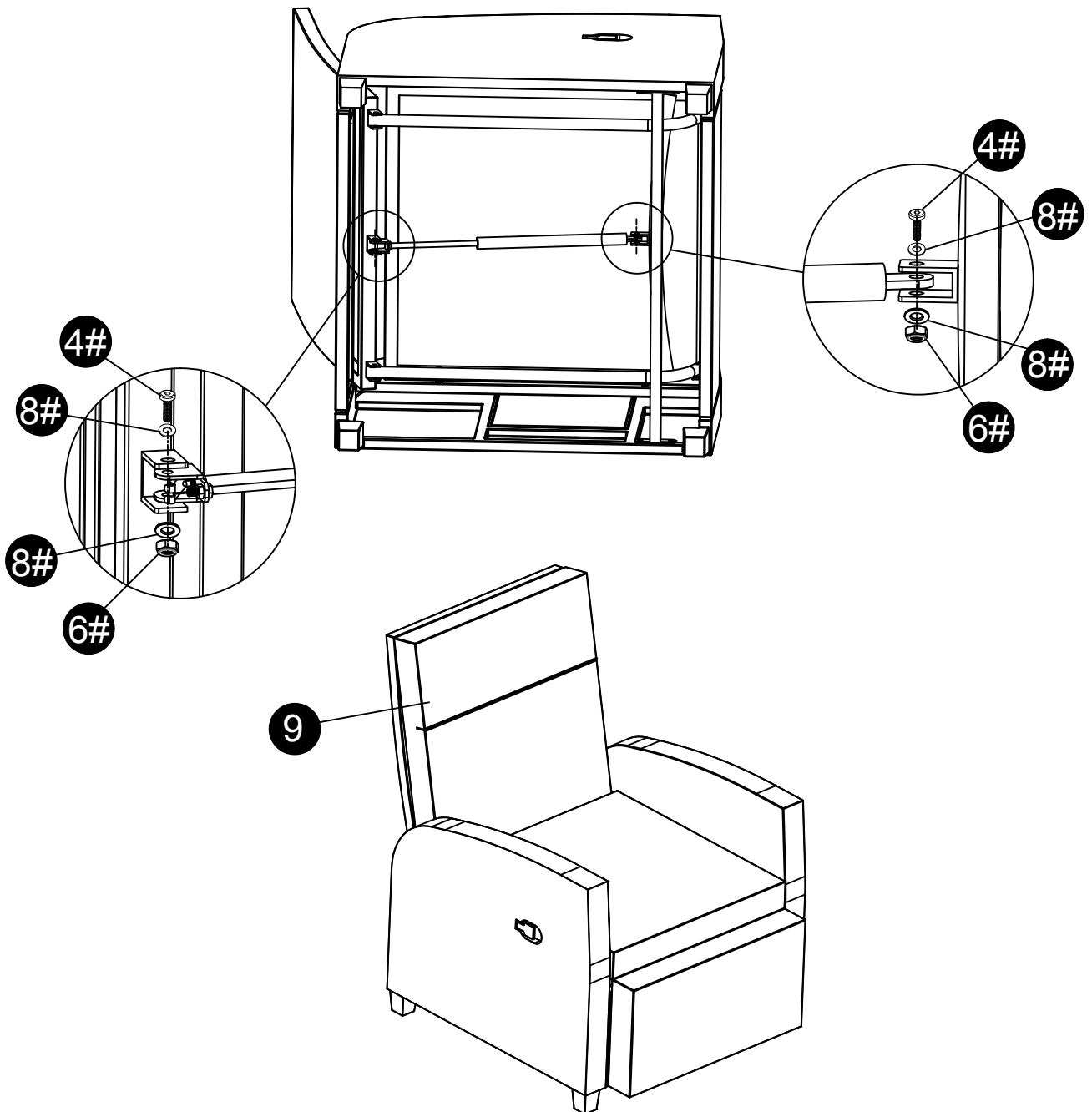
STEP 6

<p>3# M6x35</p>  <p>2pcs</p>	<p>7#</p>  <p>4pcs</p>	<p>5#</p>  <p>1pcs</p>	<p>2# M6x25</p>  <p>2pcs</p>
---	---	---	---

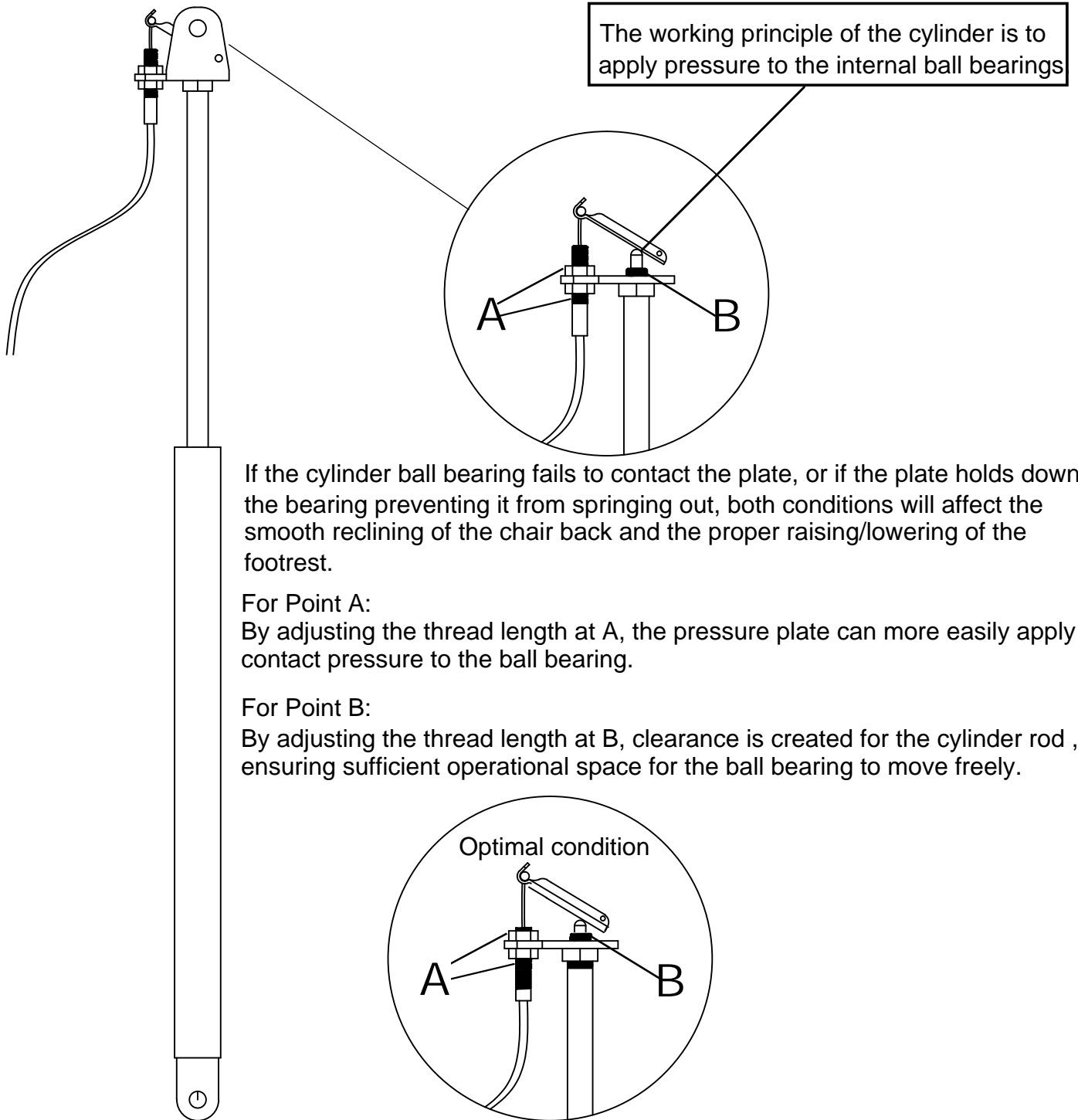


STEP 7

4# M8x40  2pcs	8# M8  4pcs	6# M8  2pcs	9  1pc
---	--	--	--



Reason for cylinder inoperative



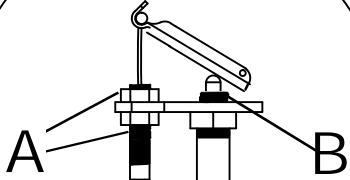
The working principle of the cylinder is to apply pressure to the internal ball bearings

If the cylinder ball bearing fails to contact the plate, or if the plate holds down the bearing preventing it from springing out, both conditions will affect the smooth reclining of the chair back and the proper raising/lowering of the footrest.

For Point A:
By adjusting the thread length at A, the pressure plate can more easily apply contact pressure to the ball bearing.

For Point B:
By adjusting the thread length at B, clearance is created for the cylinder rod, ensuring sufficient operational space for the ball bearing to move freely.

Optimal condition



NOTES

Security Notice

- Please take protective measures during the installation process, such as wearing gloves and refraining from wearing valuable clothing.
- Be aware that some parts are heavy and have sharp edges.
- In the event that any parts are missing, broken, damaged, or worn, cease using the product until repairs have been made.
- Ensure items are handled and used correctly.

Warranty Guidelines

- If you identify any issues with accessories or quality after receiving the product, please provide feedback in a timely manner. The postage expenses for returns will not be charged to the original purchaser. Replacement or repair parts will be covered for the remainder of the original limited warranty period. We offer continuous free technical support, including online diagnosis and solutions for user problems.
- To process your claim, please upload a copy of your receipt and at least two photos of the problem or damaged parts. Otherwise, the supplier reserves the right to refuse replacement parts or credit.
- For any questions during installation and use, please do not hesitate to contact us.

Cushion Notice

- This pillow or cushion is vacuum-packed. After opening the bag, the Pp cotton or white foam inside needs time to regain its full shape, typically 3-4 days. You can speed up the process by gently fluffing or patting the pillows with your hand or a flat object.
- Please note that once the vacuum-sealed packaging is opened, the product cannot be returned, as it cannot be repackaged to its origin a condition.
- **WARNING:** To avoid the risk of suffocation, keep this bag away from babies and children. Do not use it in cribs, beds, carriages, or playpens. This bag is not a toy. Immediately discard the bag and any other packing materials after removing the product. Do not reuse this bag.