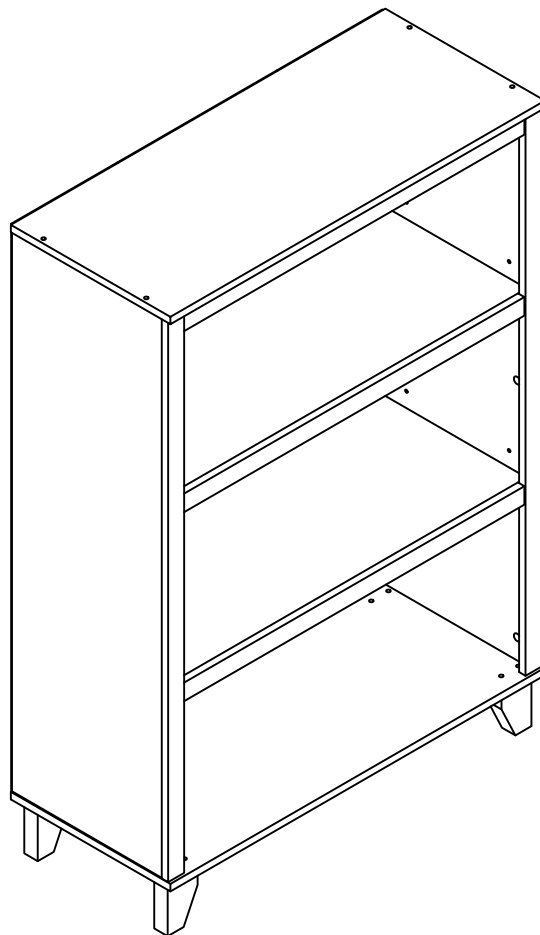


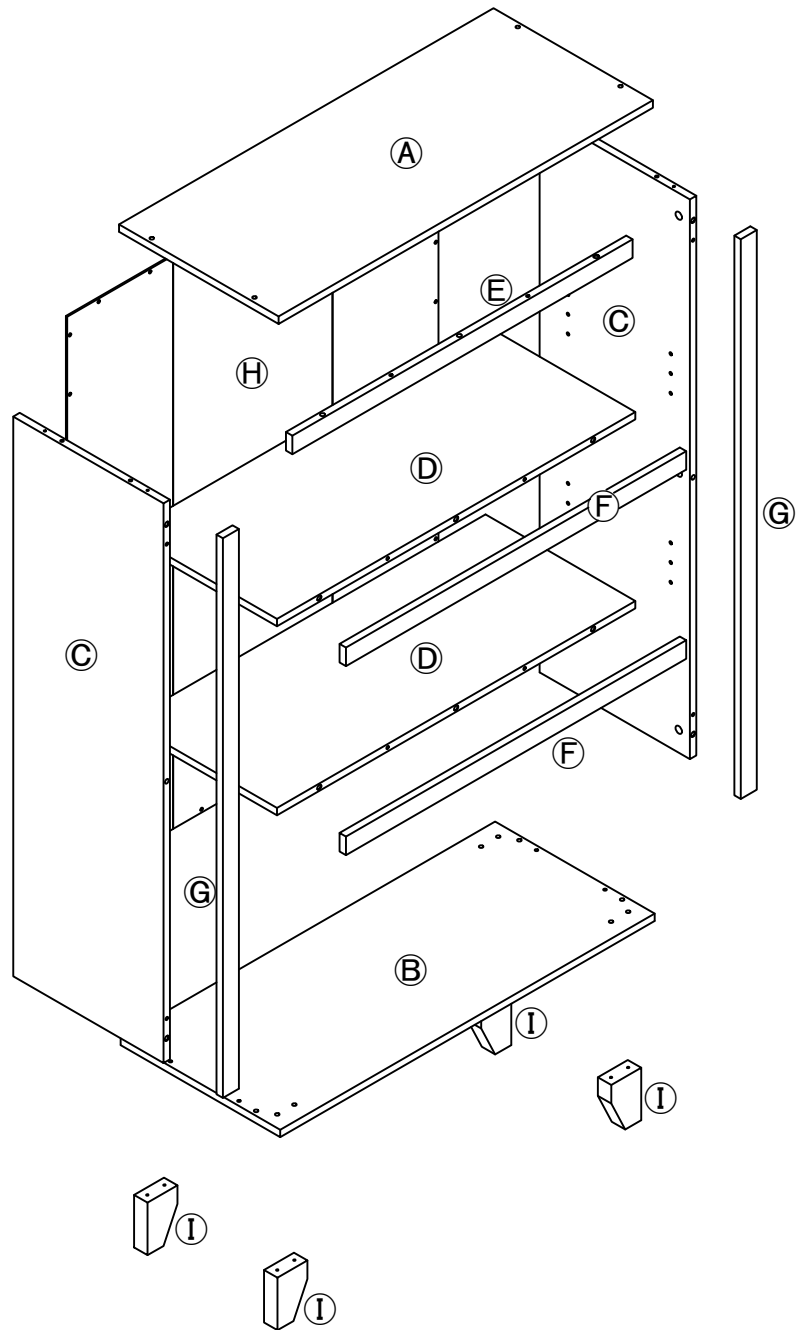
# 3-Tier Bookshelf INSTRUCTION



Part of the steps suggest  
two people install

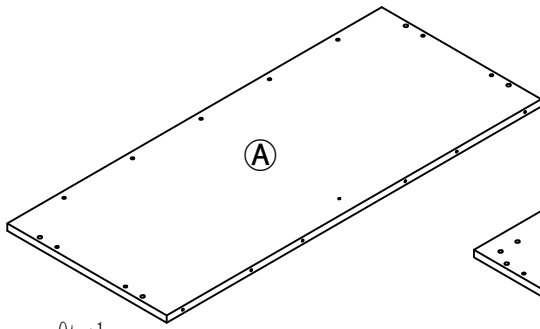
# Main Components

Please check you have all the parts listed below

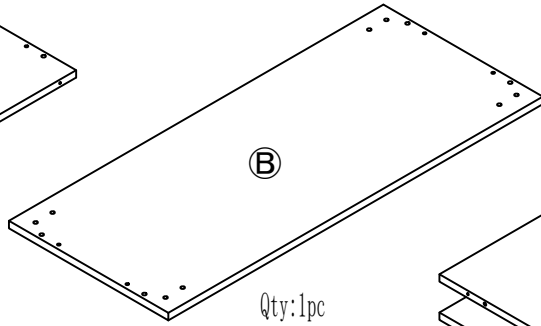


# Component Panels & Part List

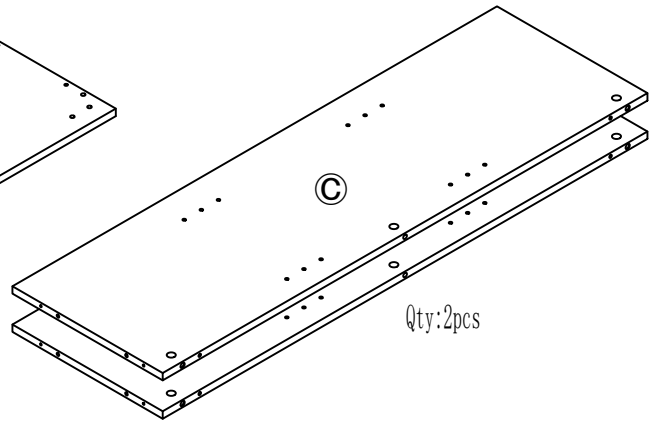
Please check you have all the panels are listed below.



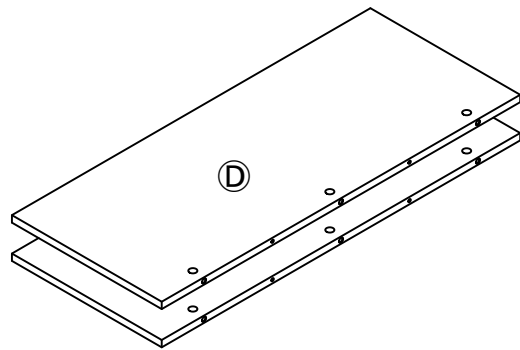
Qty: 1pc



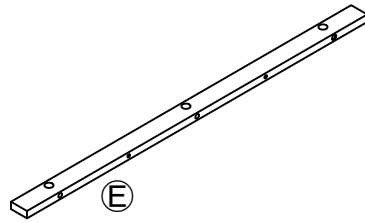
Qty: 1pc



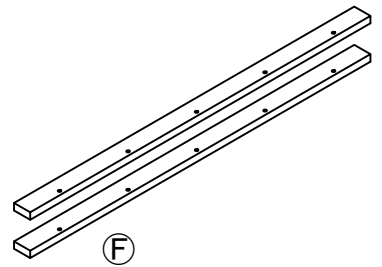
Qty: 2pcs



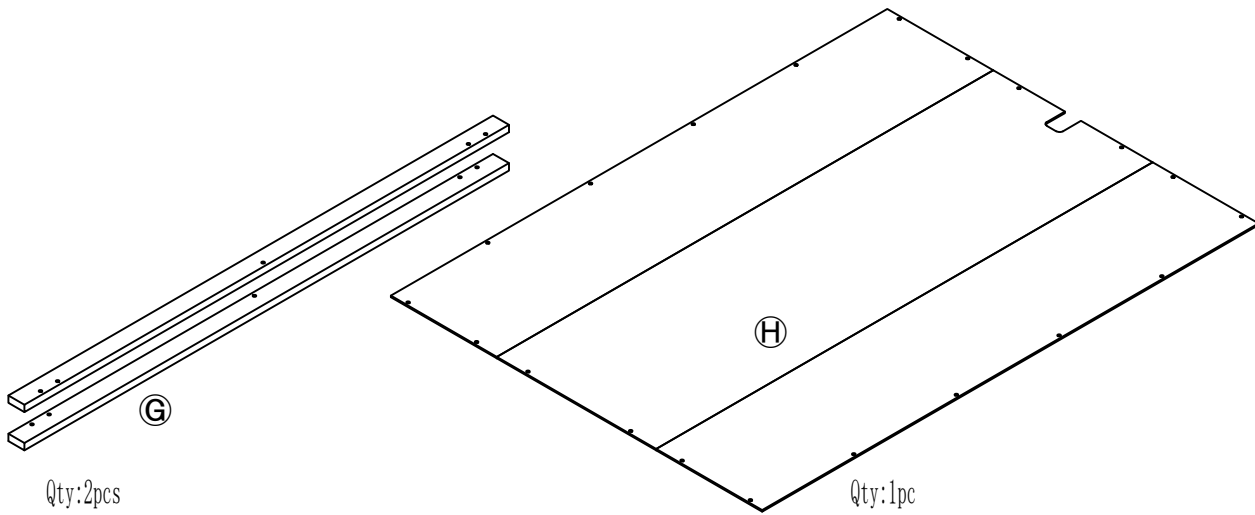
Qty: 2pcs



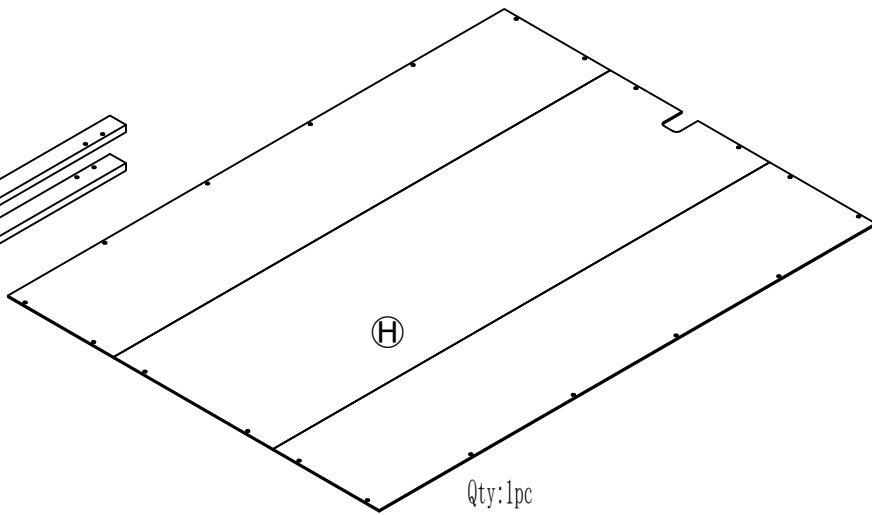
Qty: 1pc



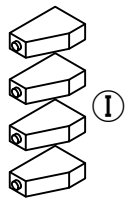
Qty: 2pcs



Qty: 2pcs



Qty: 1pc

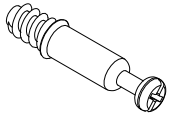


Qty: 4pcs

# Fixings, Fittings And Tools

Please check all the fittings listed below

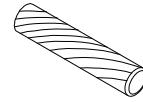
**Note:** The quantities below are the correct amount to complete the assembly. In some case more fittings may be supplied than be required.



①  $\text{Ø}6 \times \text{L}27\text{mm}$   
15pcs



②  $\text{Ø}12$   
15pcs



③  $\text{Ø}5 \times 30\text{mm}$   
18pcs



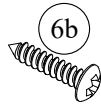
④  $\text{Ø}8 \times \text{Ø}4 \times 38\text{mm}$   
16pcs



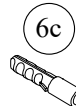
⑤  $\text{Ø}7 \times \text{Ø}3 \times 12\text{mm}$   
20+1pcs



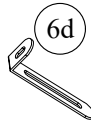
6a



6b



6c



6d



6e

⑥ 1set



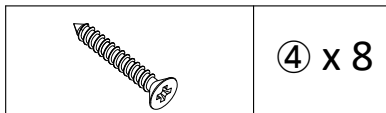
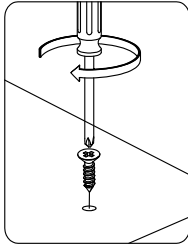
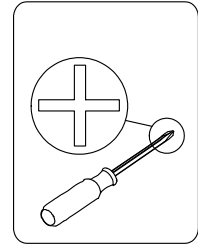
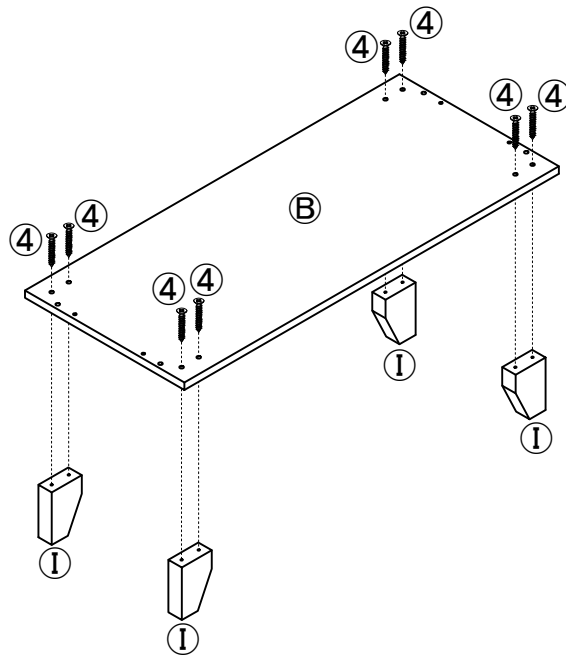
⑦  $\text{Ø}5 \times 20\text{mm}$   
8pcs



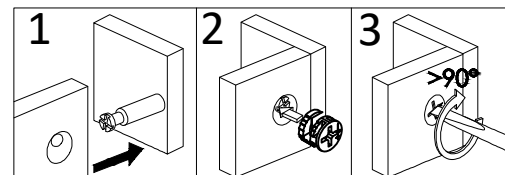
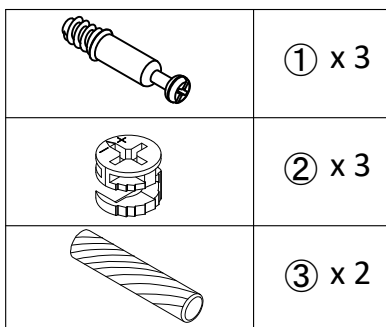
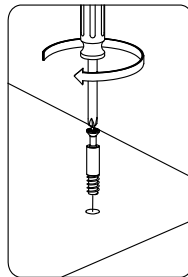
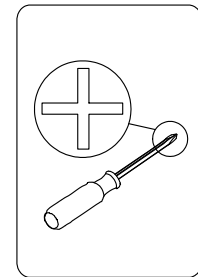
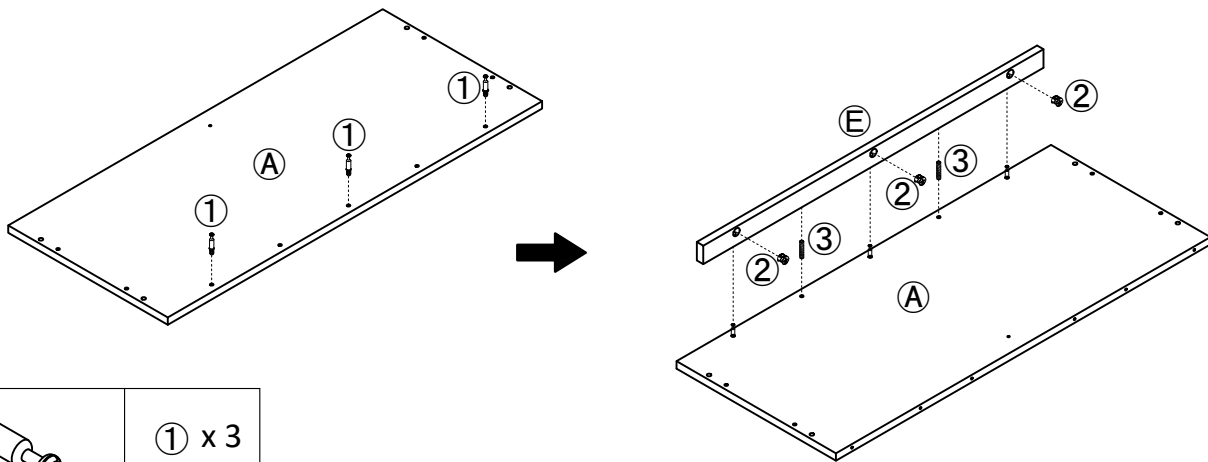
⑧  $\text{Ø}12 \times 3.9\text{mm}$   
12+1pcs

# Assembly Step

## Step 1

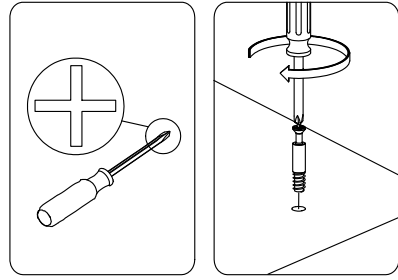
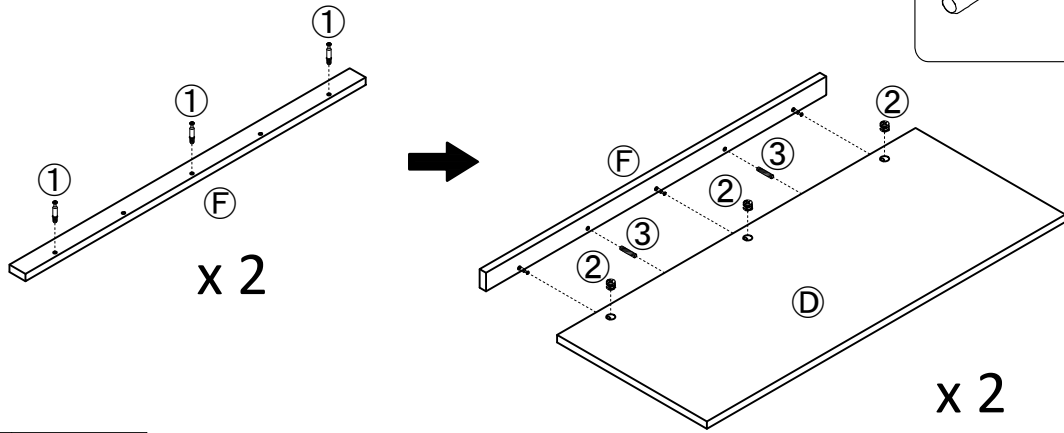


## Step 2

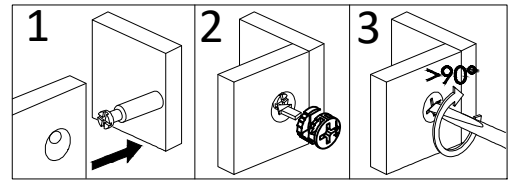


# Assembly Step

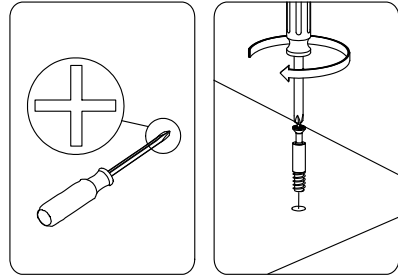
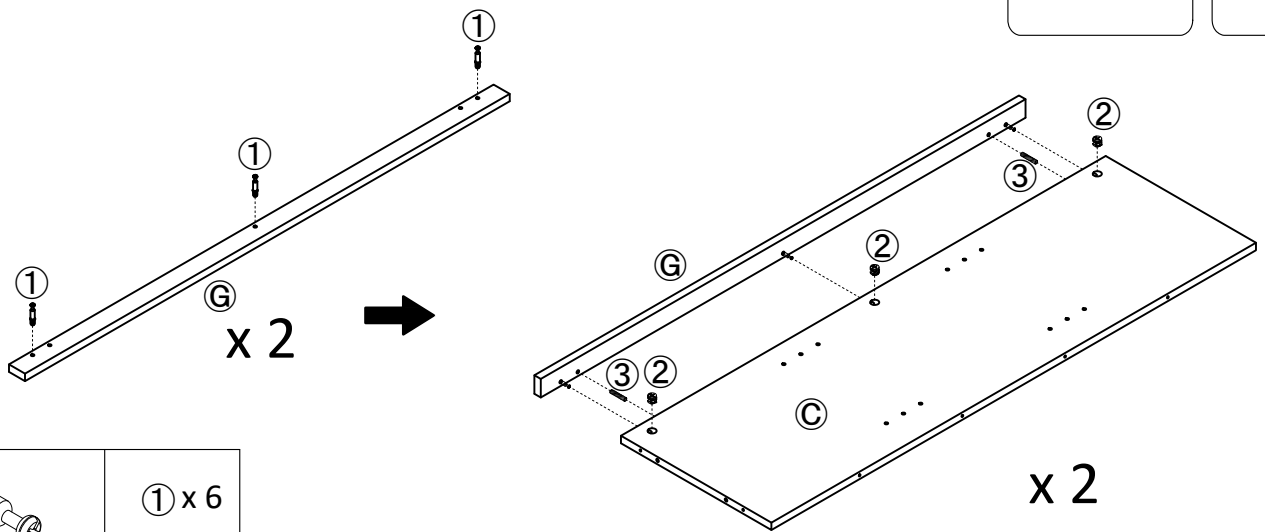
## Step 3



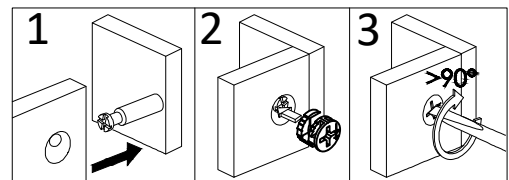
	① x 6
	② x 6
	③ x 4



## Step 4

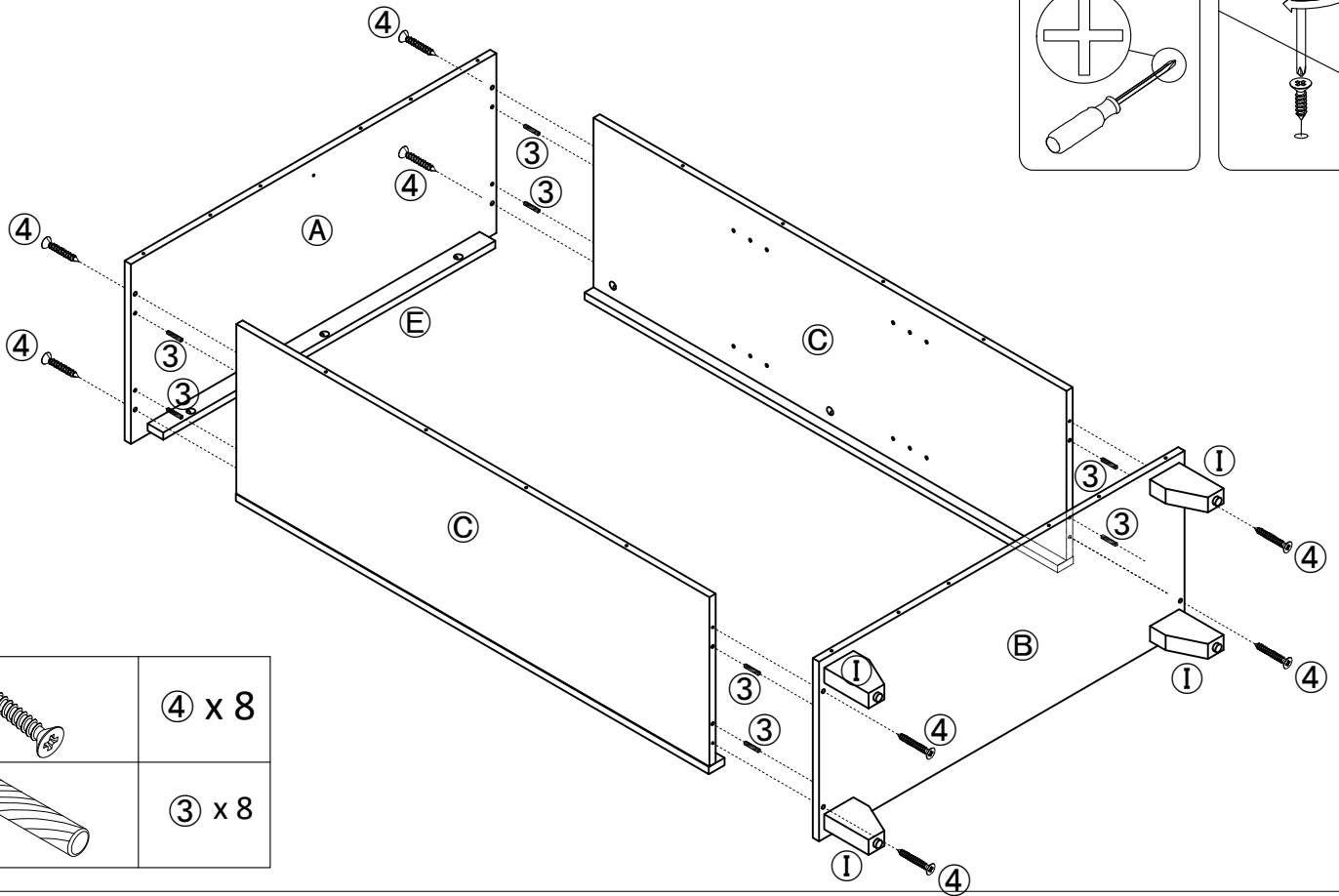



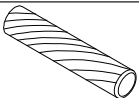
	① x 6
	② x 6
	③ x 4



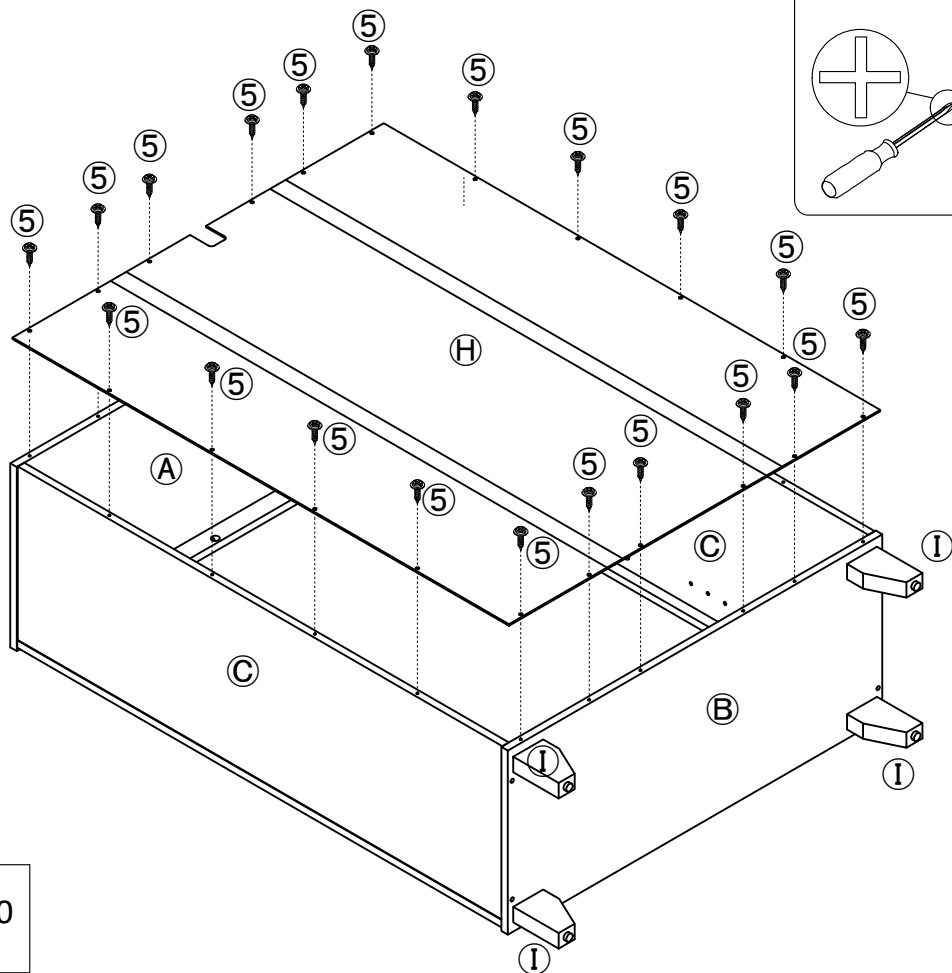
# Assembly Step


## Step 5



	④ x 8
	③ x 8

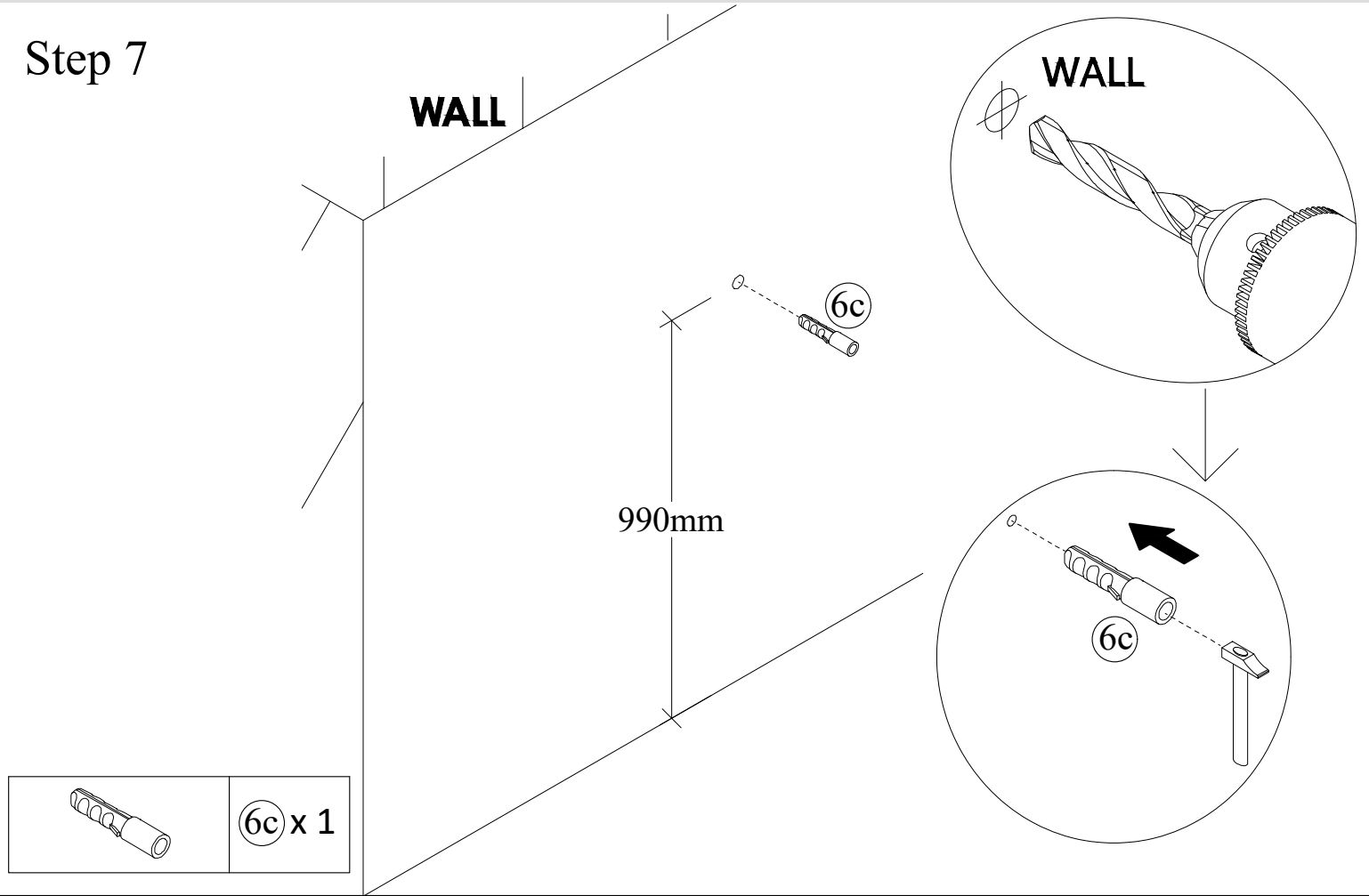
## Step 6



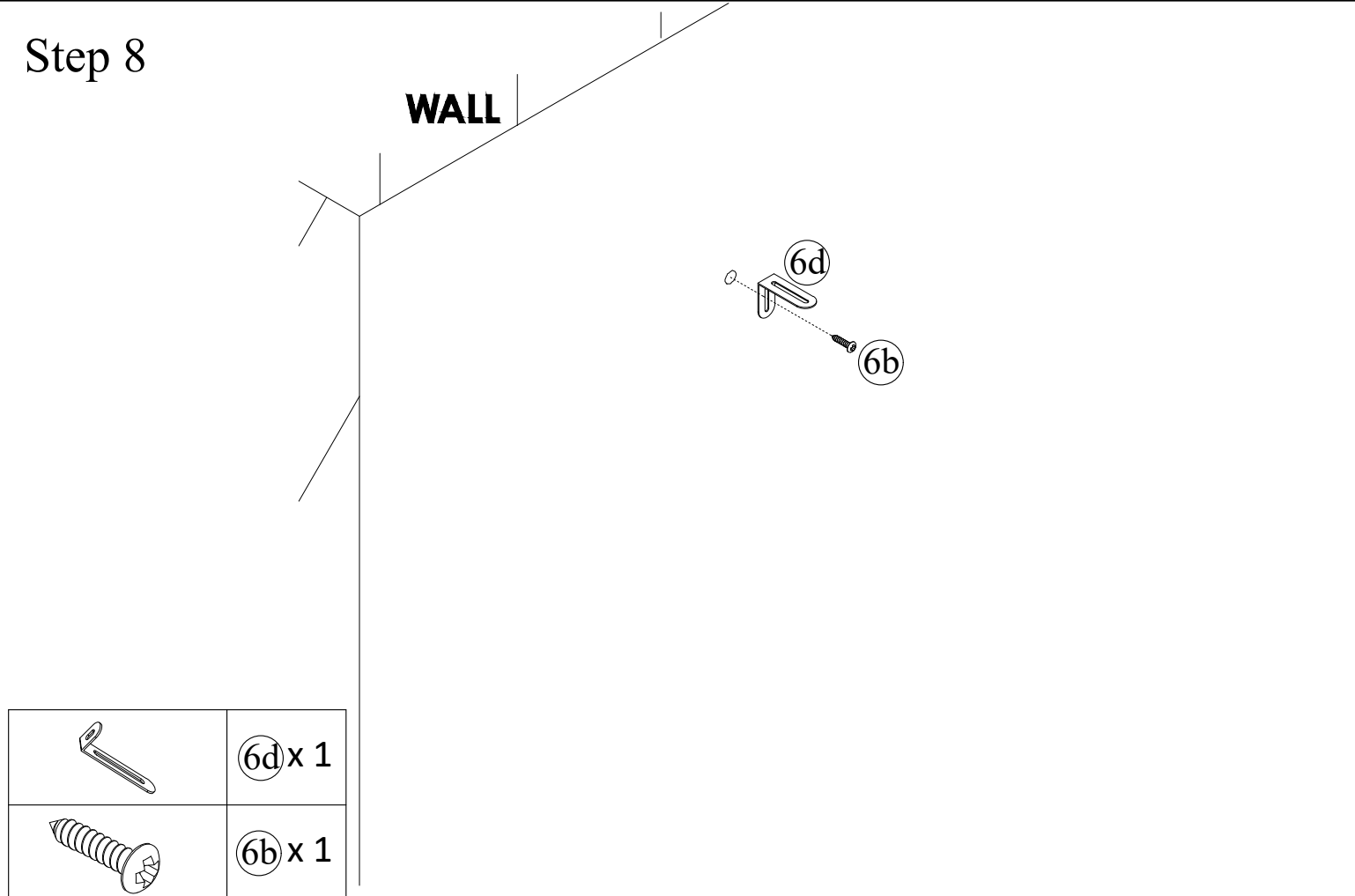
	⑤ x 20
---	--------

# Assembly Step

## Step 7

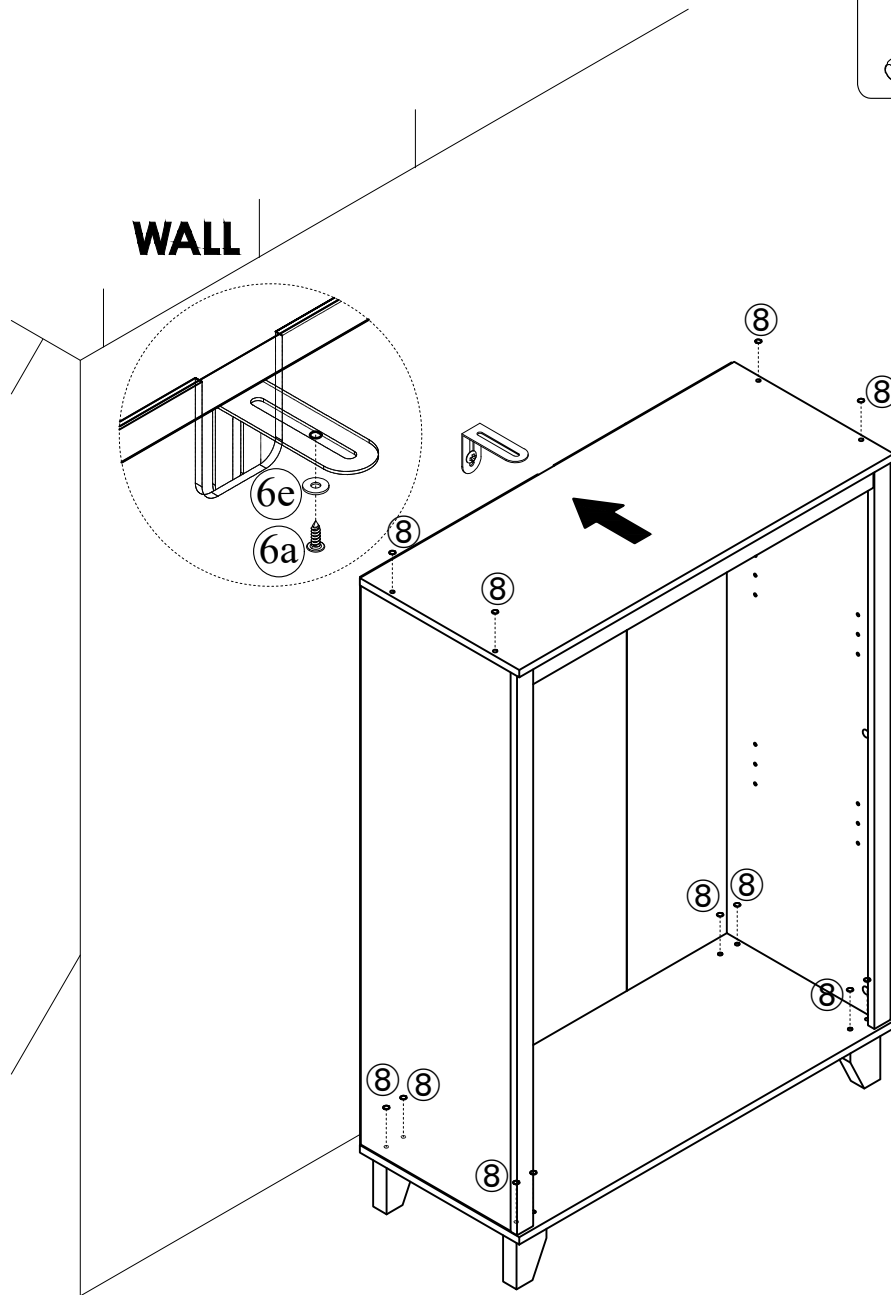
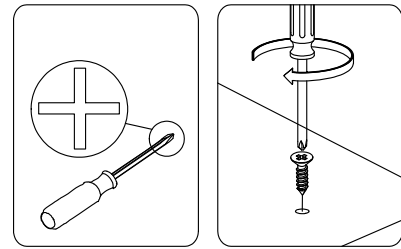





## Step 8



# Assembly Step

## Step 9



	⑧ x 12
	⑥e x 1
	⑥a x 1

# Assembly Step

## Step 10

