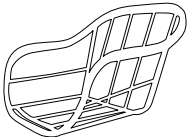









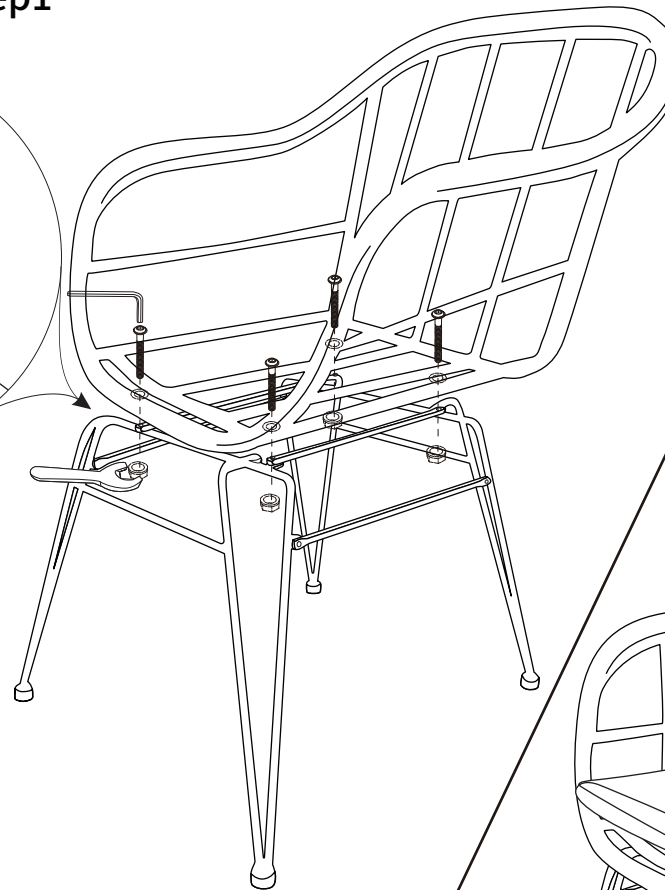
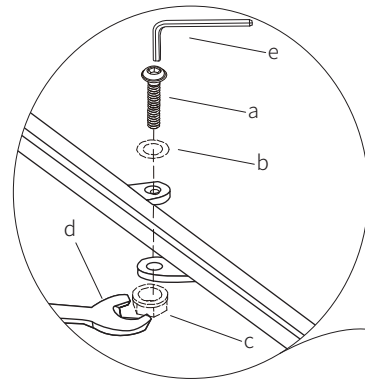
## PARTS LIST

Seat	2PCS	
Chair Base	2PCS	
Back Pillow	2PCS	

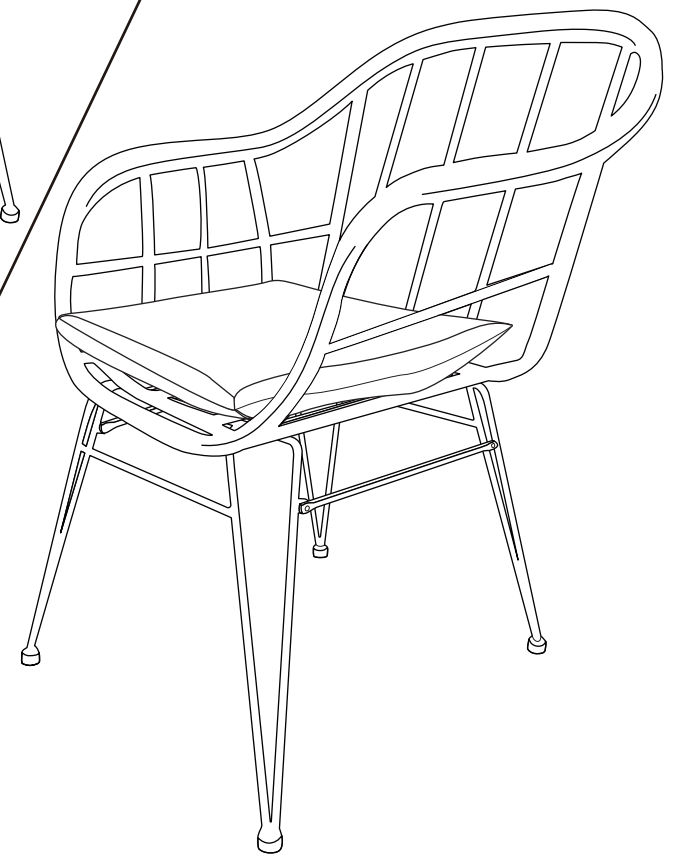
## HARDWARE LIST

<b>a</b>		Bolt (M6*25mm)	8PCS+1 extra
<b>b</b>		Washer	8PCS+1 extra
<b>c</b>		Nut	8PCS+1 extra
<b>d</b>		Allen wrench	1PC
<b>e</b>		Wrench	1PC

## Step1



## Step2

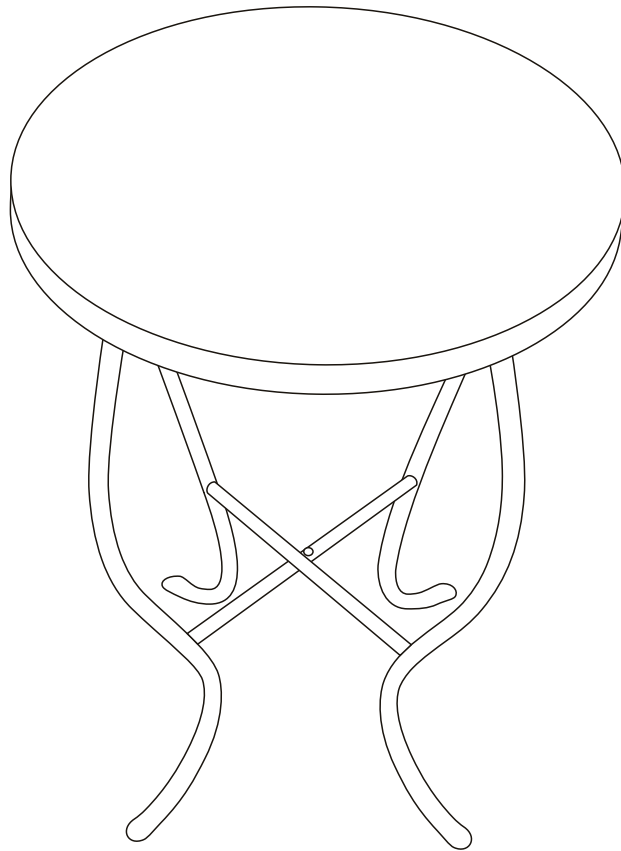


# ASSEMBLY INSTRUCTION

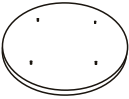


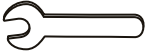
## Mosaic Accent table

### Important Safety Instructions:

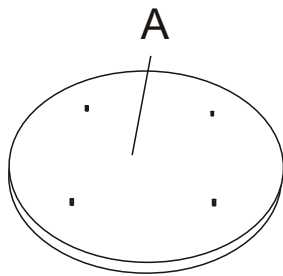
- Please read all instructions before beginning assembly
- Please make sure receive all the parcels to start the assembly
- For your safety and convenience, assembly by two people is recommended
- Use the parts and hardware lists to identify and separate each of the components included
- Save all packing materials until assembly is completed to avoid the accidental discarding of smaller parts or hardware



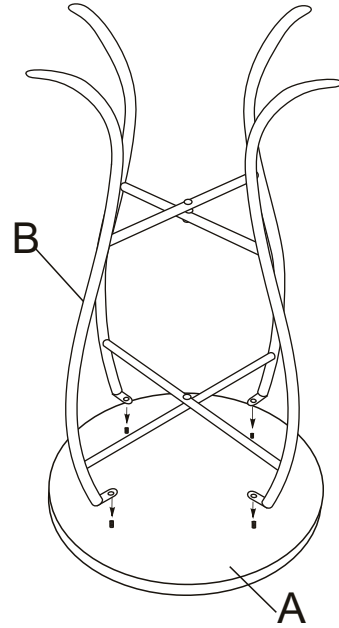
THANK YOU FOR PURCHASING

A		1PC	C		4PCS
B		1PC	D		1PC

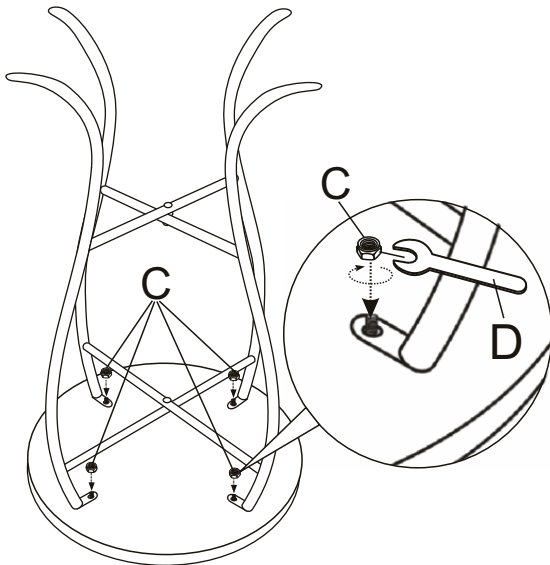
1.



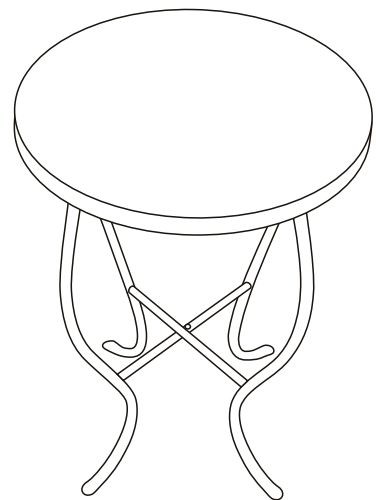
2.



3.



4.



**IMPORTANT**  
Tighten each nut firmly. DO NOT over tighten any of the nuts as this may strip the screws.  
DO NOT sit or stand on the table as this may damage the product and cause serious body injury.