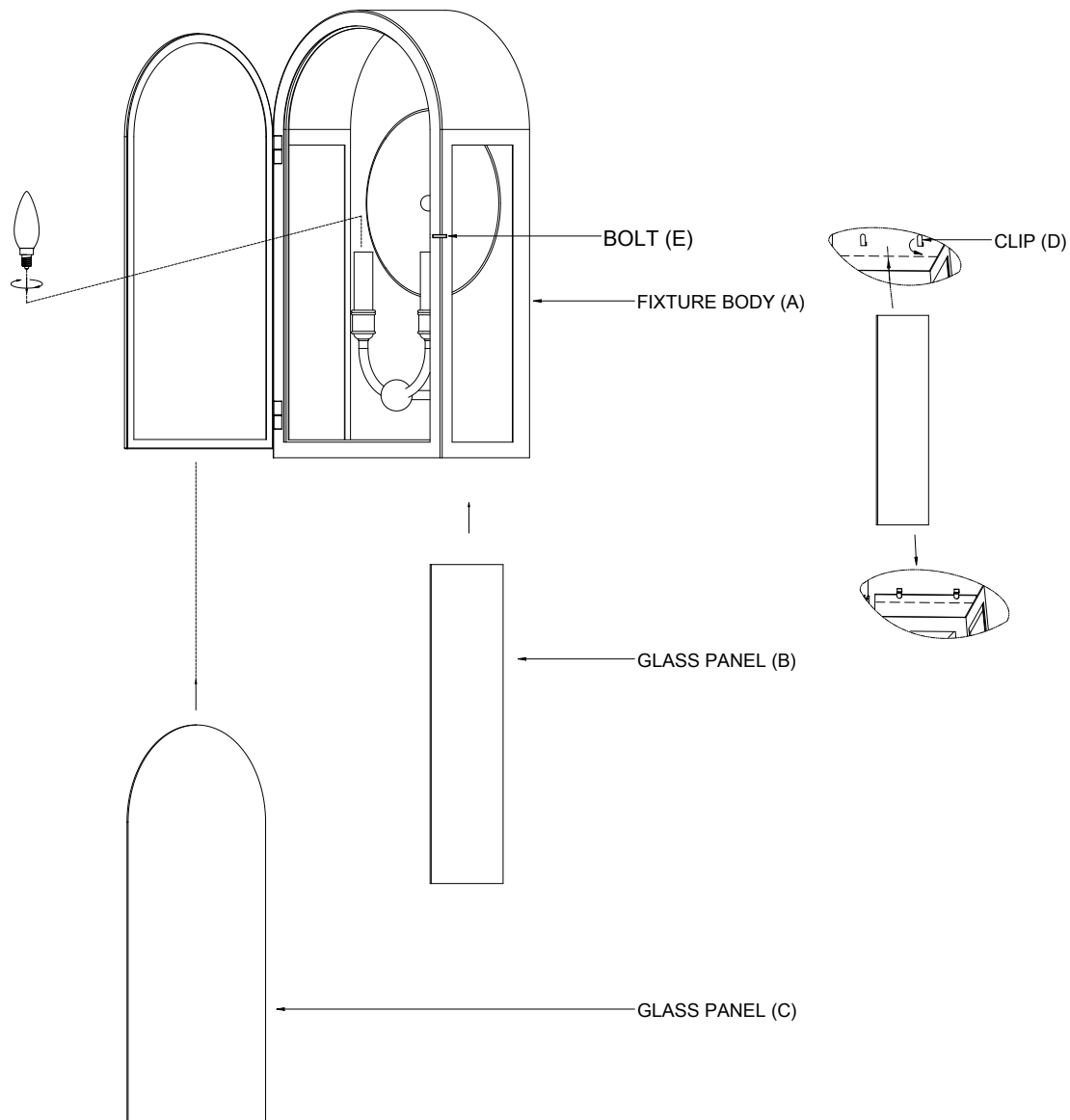




SAVOY
HOUSE

ITEM NO: 5-411
5-412



ASSEMBLY INSTRUCTIONS

1. Carefully unpack and identify all parts referring to illustration for parts identification.
2. Turn the power to the installation point OFF.
3. Place the glass panels (B) and (C) in the slot on the frame of the fixture body (A) and secure with clips (D).
4. Refer to the additional installation instructions included with the product for wiring and installation.
5. Move the bolt (E) to open the door.
6. Install proper bulbs (not included) into each socket referring to the markings and/or labels on the fixture for maximum wattage.
7. Lock the door with the bolt (E).
8. Restore power to the installation point and retain this sheet for future reference.