



YYG08

 BEWISHOME

Instruction Manual

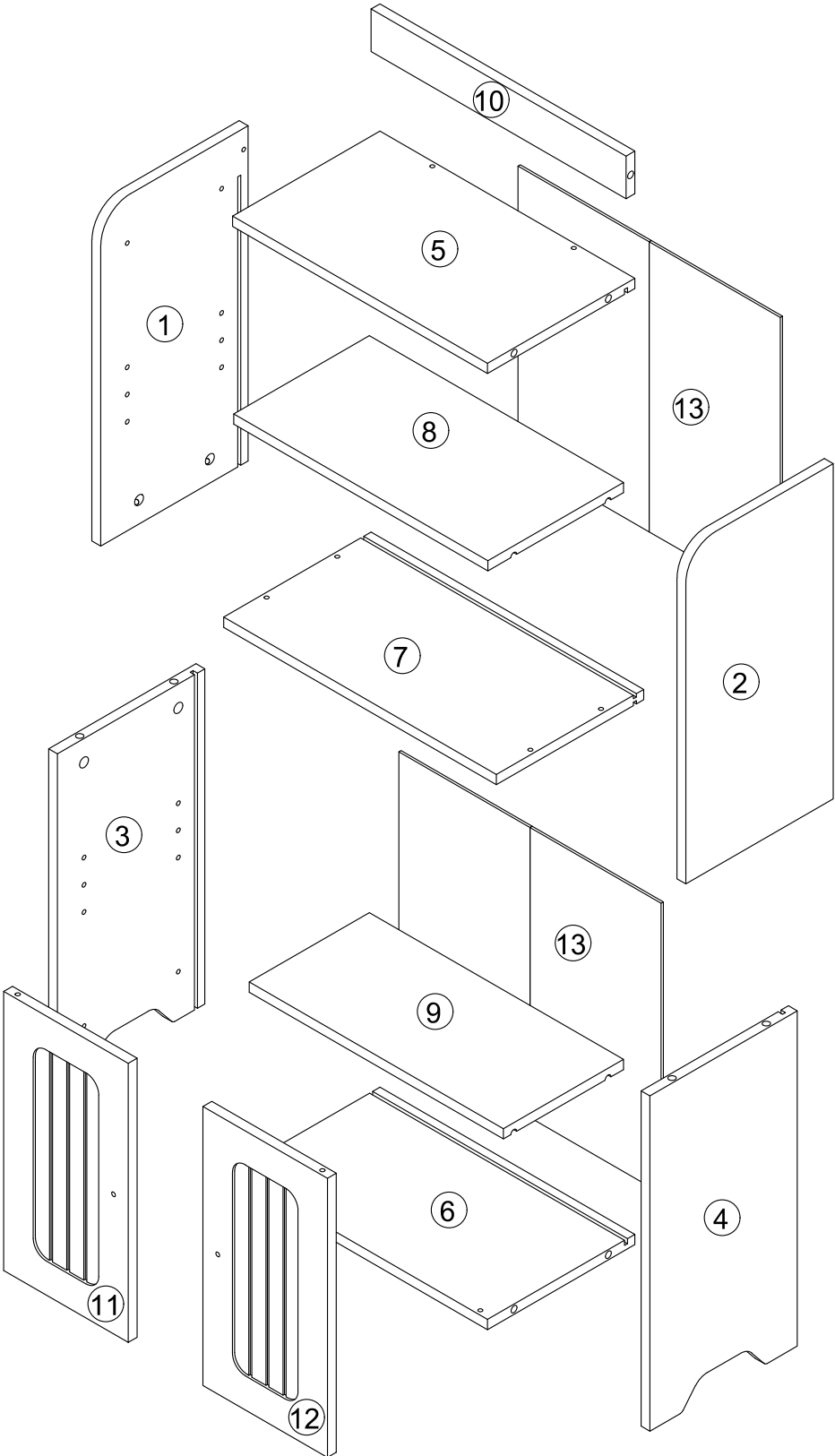
Thank you for your purchase.

Please contact us if you have difficulty with assembly or need replacement parts.

We will always be here for you by email: Bewishome@gmail.com

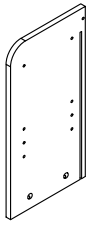
Please attach your User Name or your Order ID so that we can assist you better.

ASSEMBLY INSTRUCTION



ASSEMBLY INSTRUCTION

1



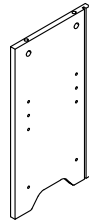
1PC

2



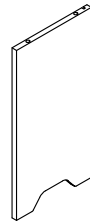
1PC

3



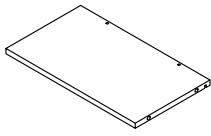
1PC

4



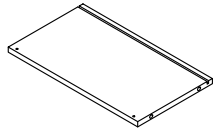
1PC

5



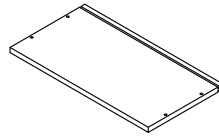
1PC

6



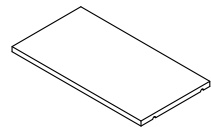
1PC

7



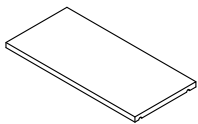
1PC

8



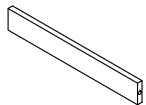
1PC

9



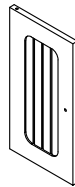
1PC

10



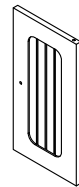
1PC

11



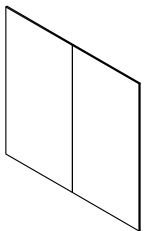
1PC

12




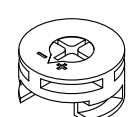
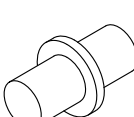
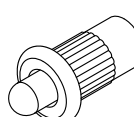
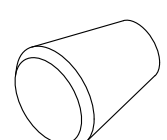
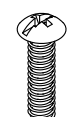
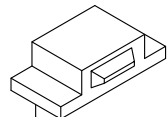
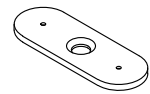
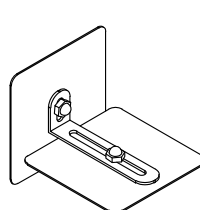


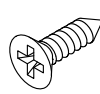

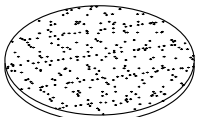

1PC

13





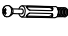

2PCS

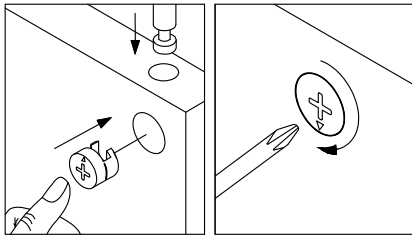
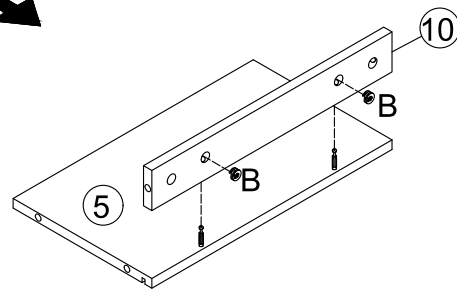
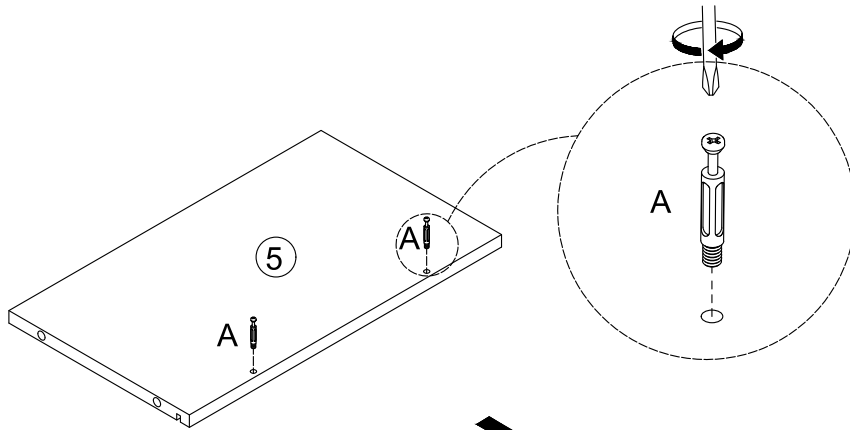
ASSEMBLY INSTRUCTION

A  20PCS	B  20PCS	C  10PCS	D  2PCS
E  2PCS	F  2PCS	G  2PCS	H  2PCS
I  2PCS	J   8PCS	K  2PCS	L  4PCS
M  20PCS			



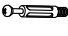
ASSEMBLY INSTRUCTION

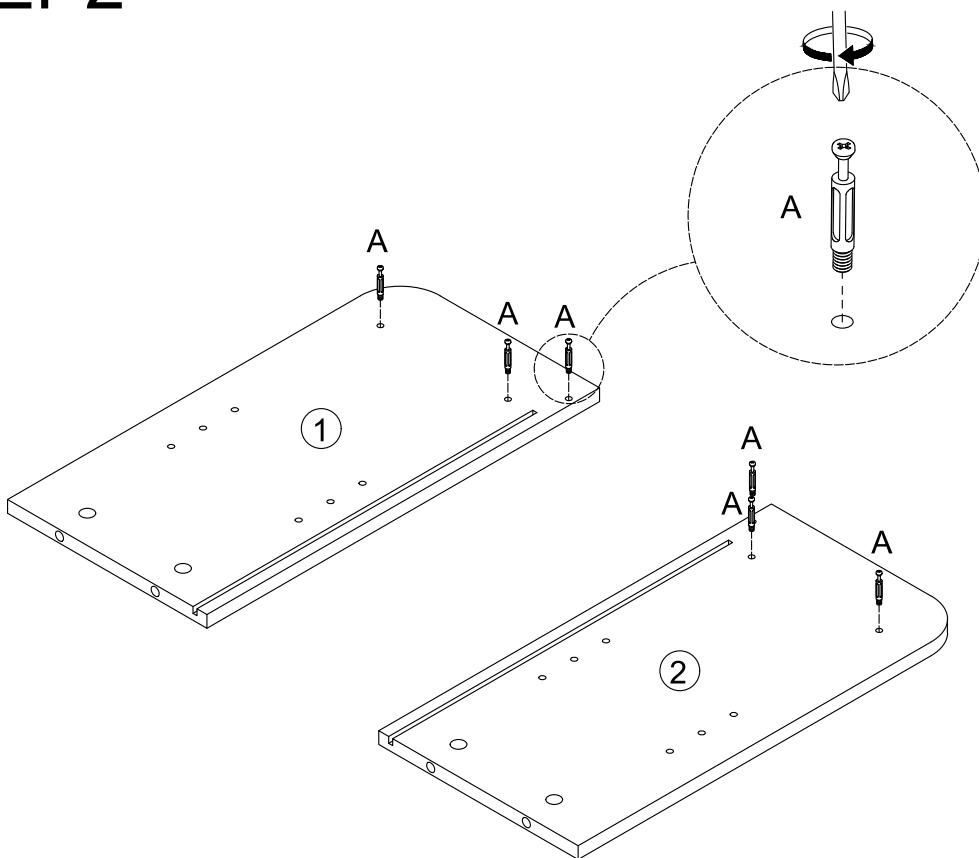
STEP 1

5		1PC
10		1PC
A		2PCS
B		2PCS



STEP 2

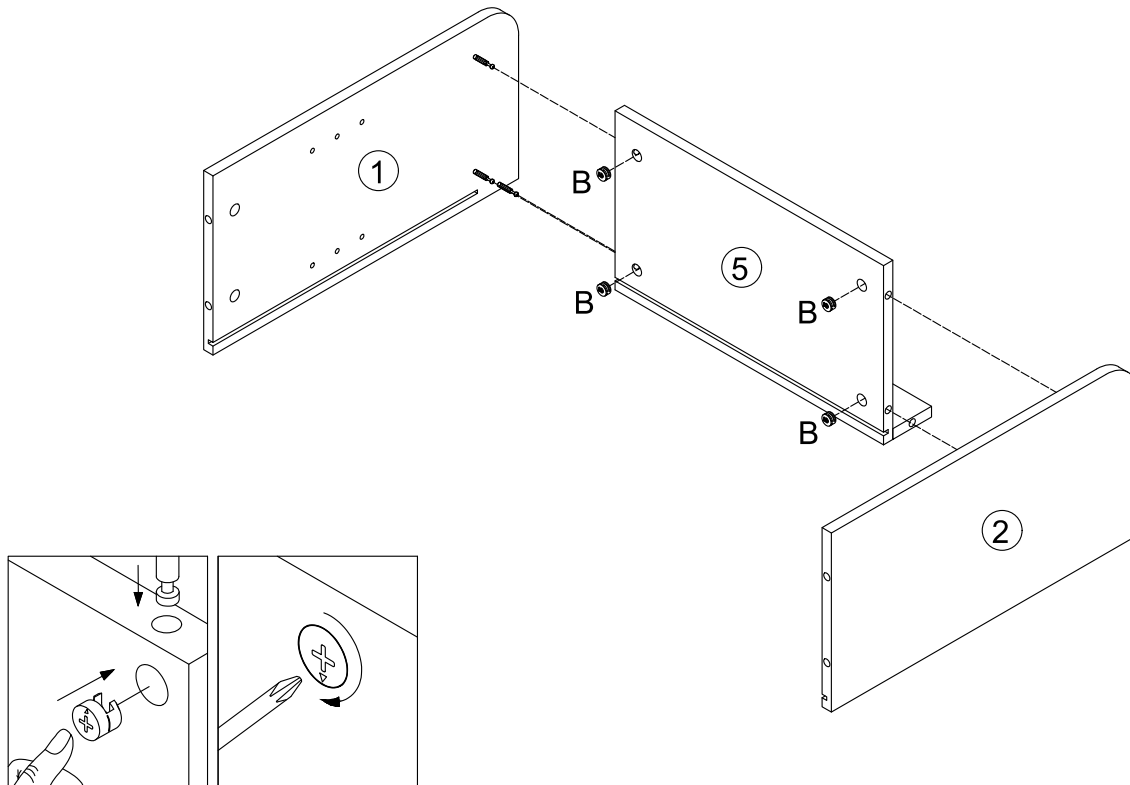
1		1PC
2		1PC
A		6PCS



ASSEMBLY INSTRUCTION

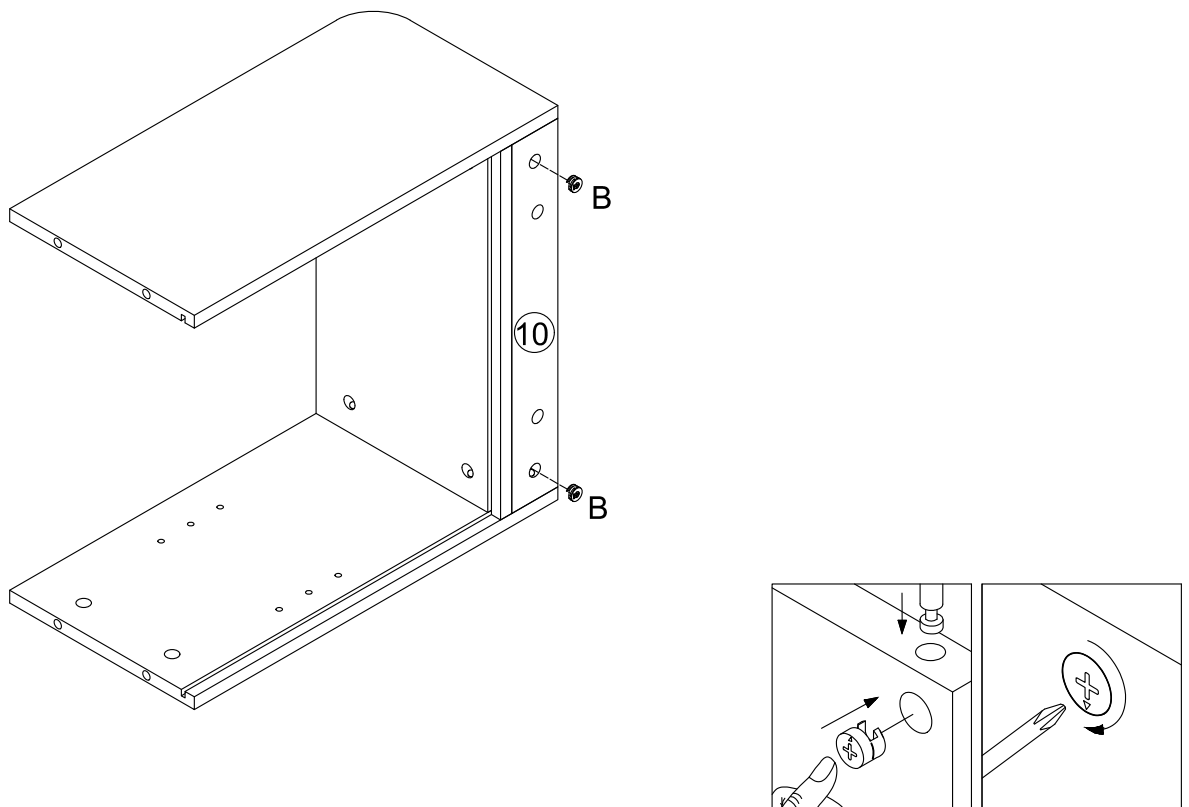
STEP3

B  4PCS






STEP4

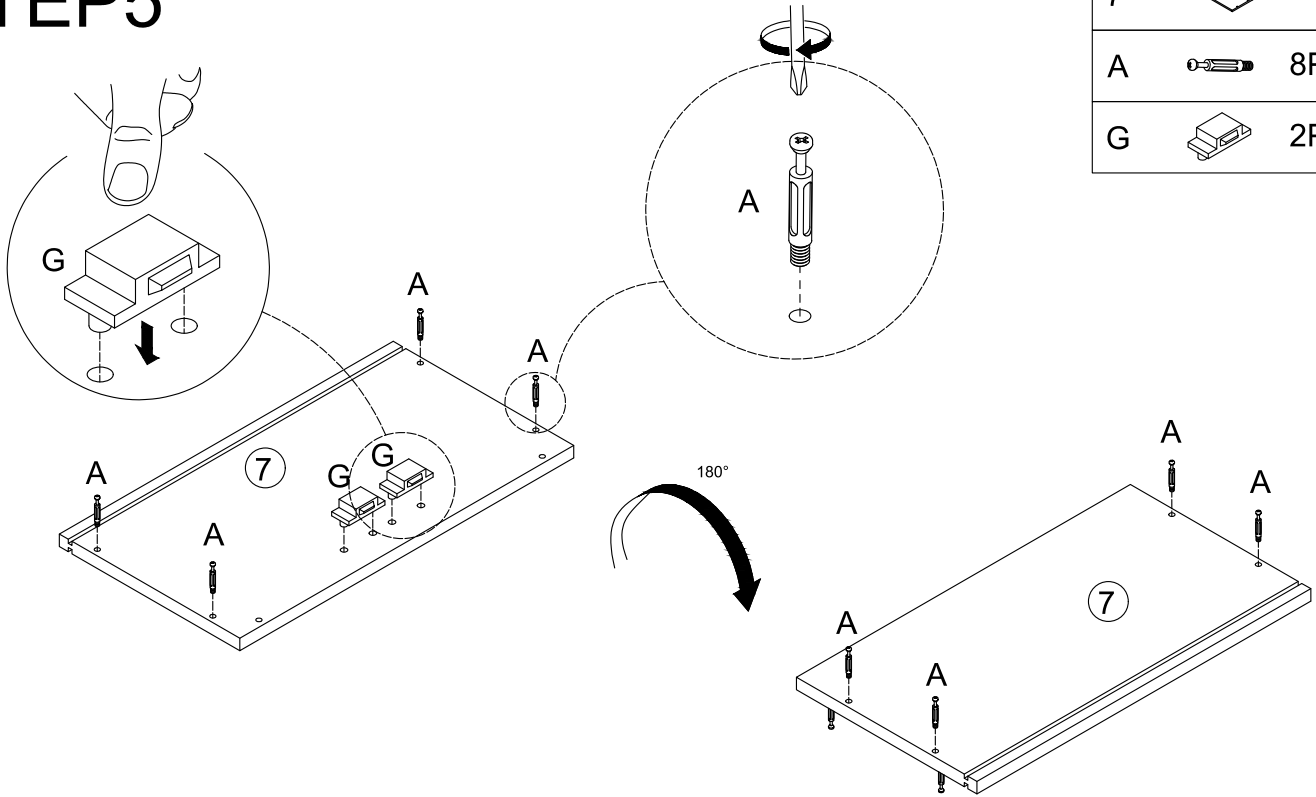
B  2PCS



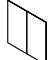
ASSEMBLY INSTRUCTION

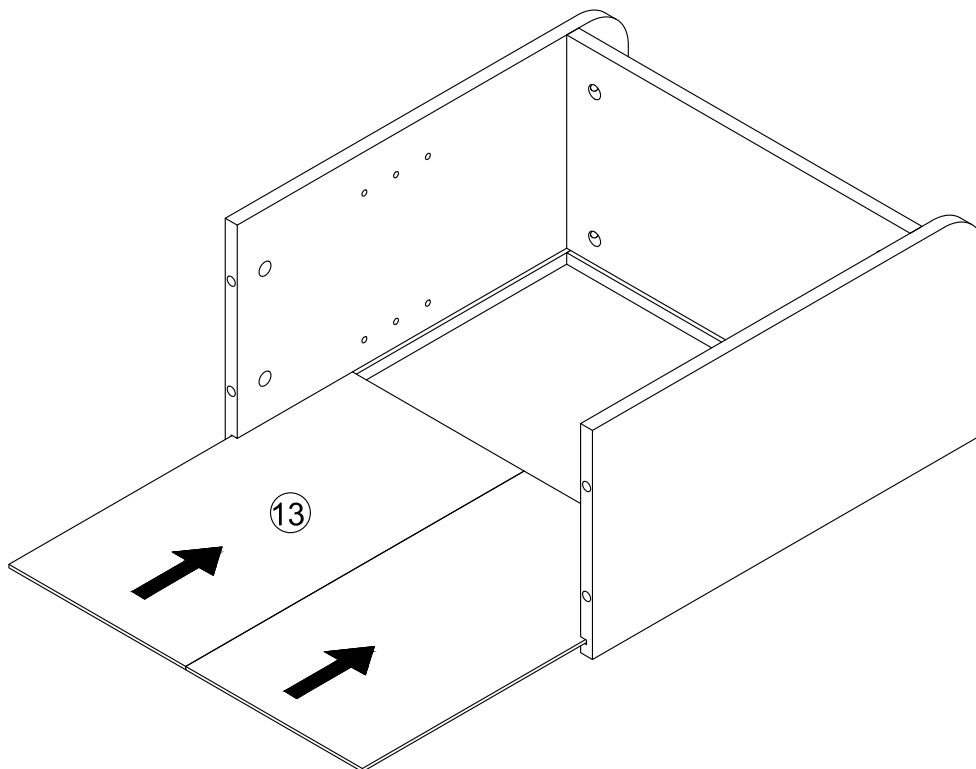
STEP5

7		1PC
A		8PCS
G		2PCS



STEP6

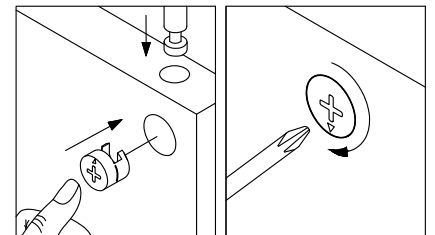
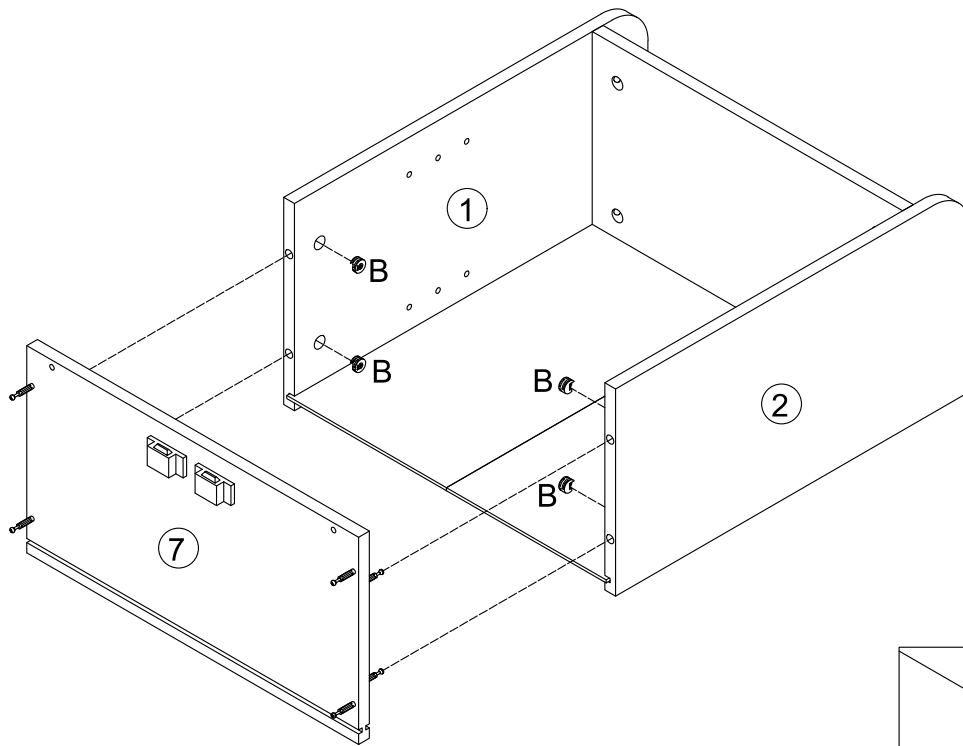
13		1PC
----	---	-----






ASSEMBLY INSTRUCTION

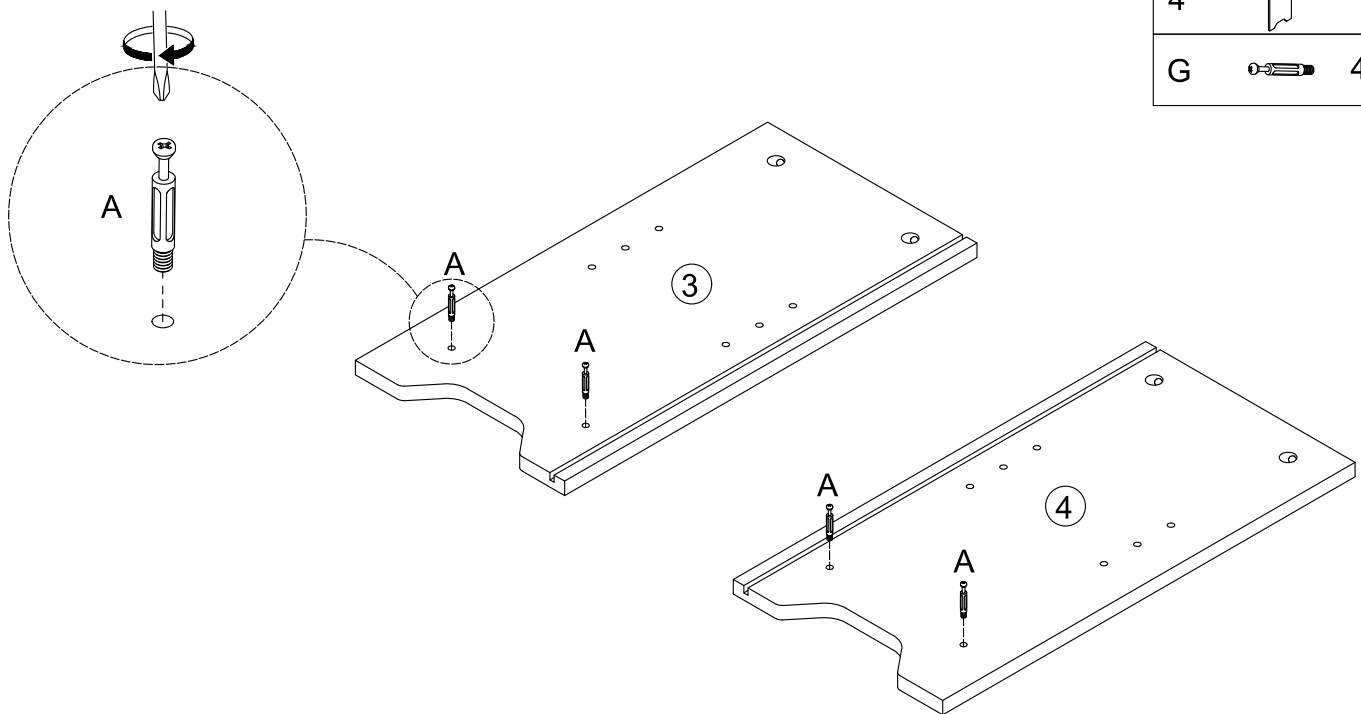
STEP 7

B  4PCS





STEP 8

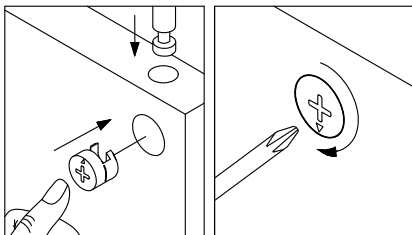
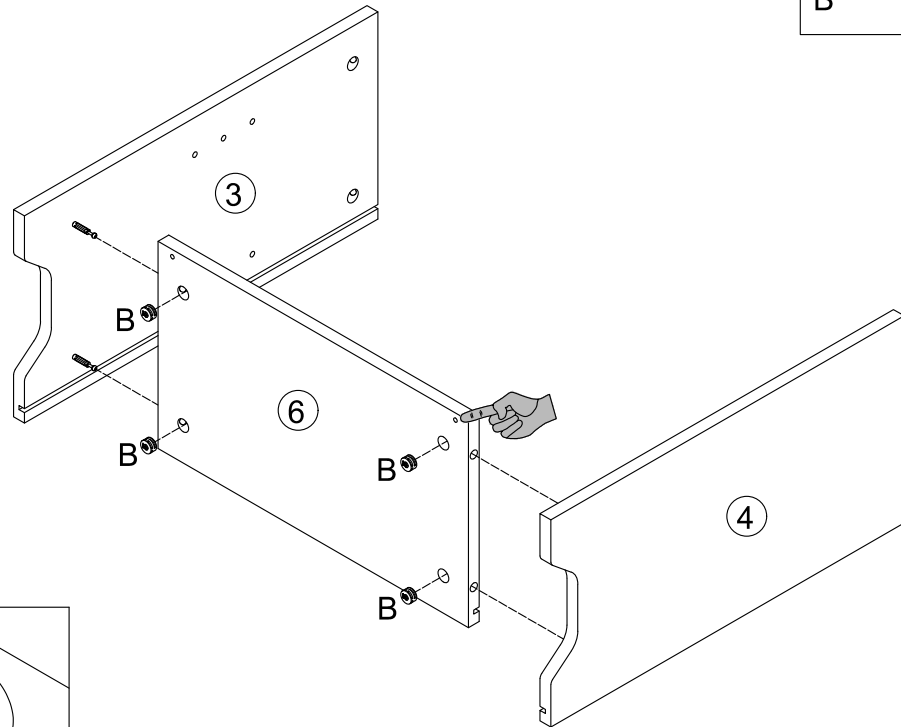
3  1PC
4  1PC
G  4PCS



ASSEMBLY INSTRUCTION

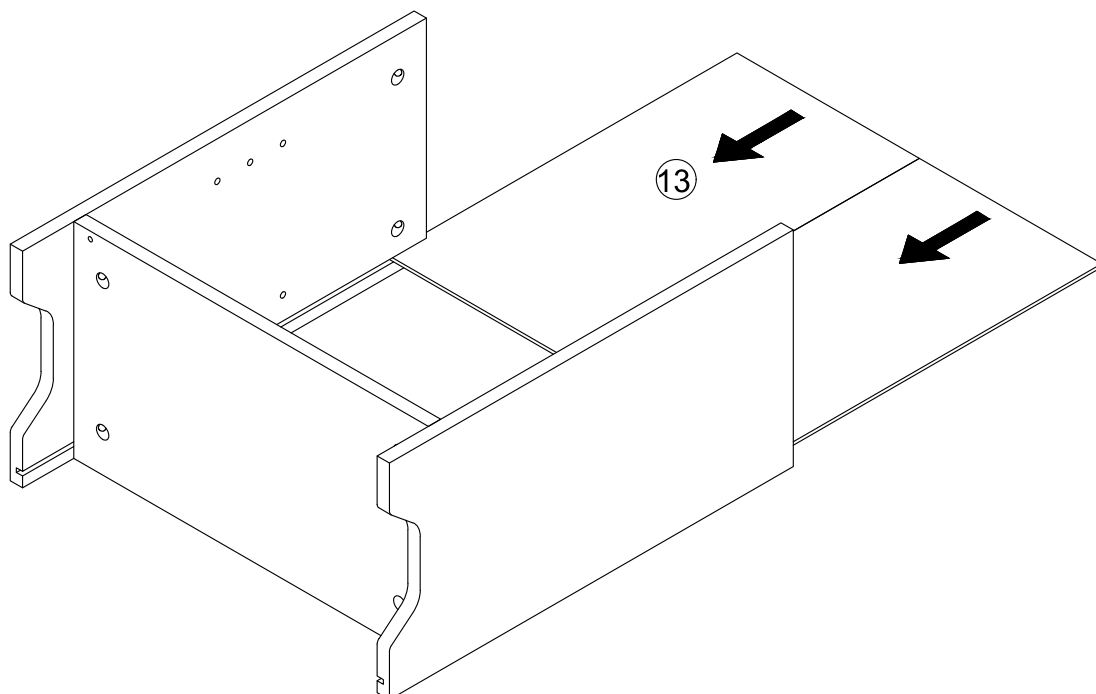
STEP 9

6		1PC
B		4PCS



STEP 10

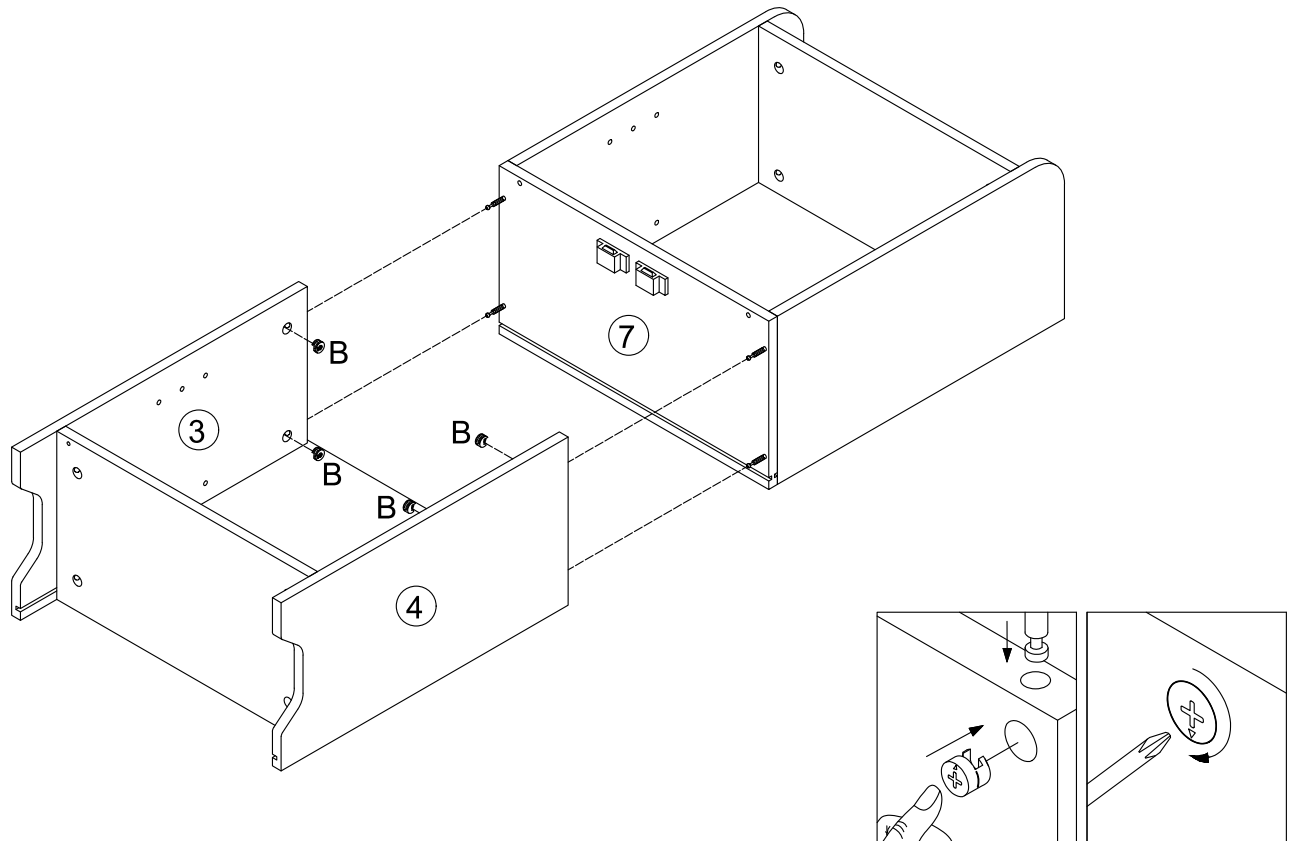
13		1PC
----	---	-----



ASSEMBLY INSTRUCTION

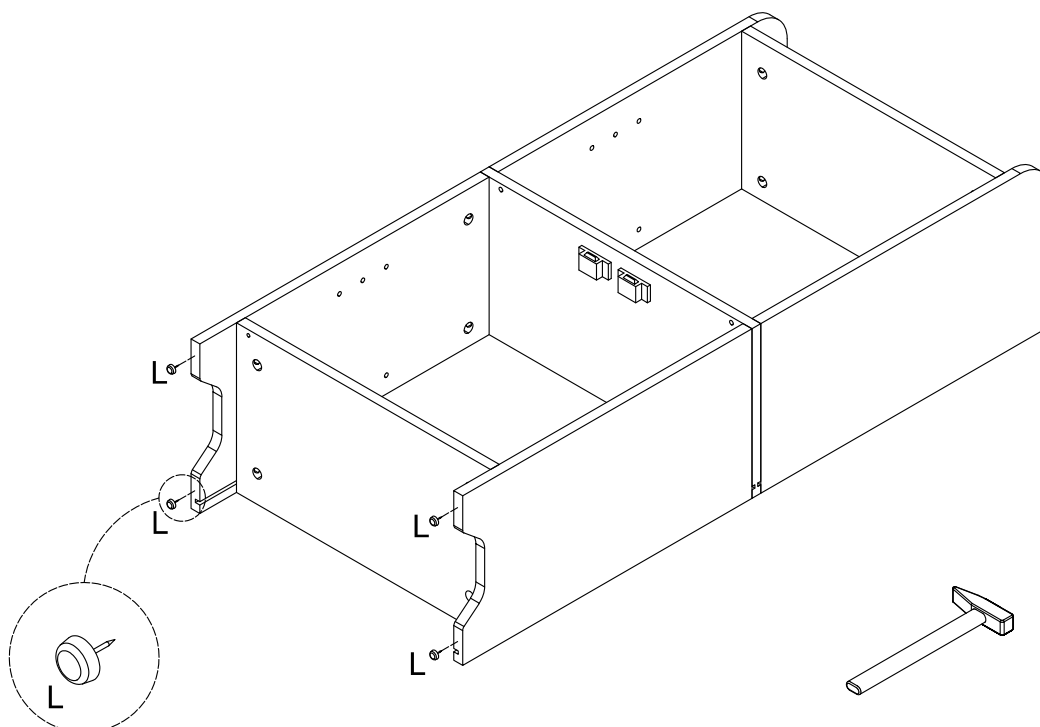
STEP 11

B  4PCS



STEP 12

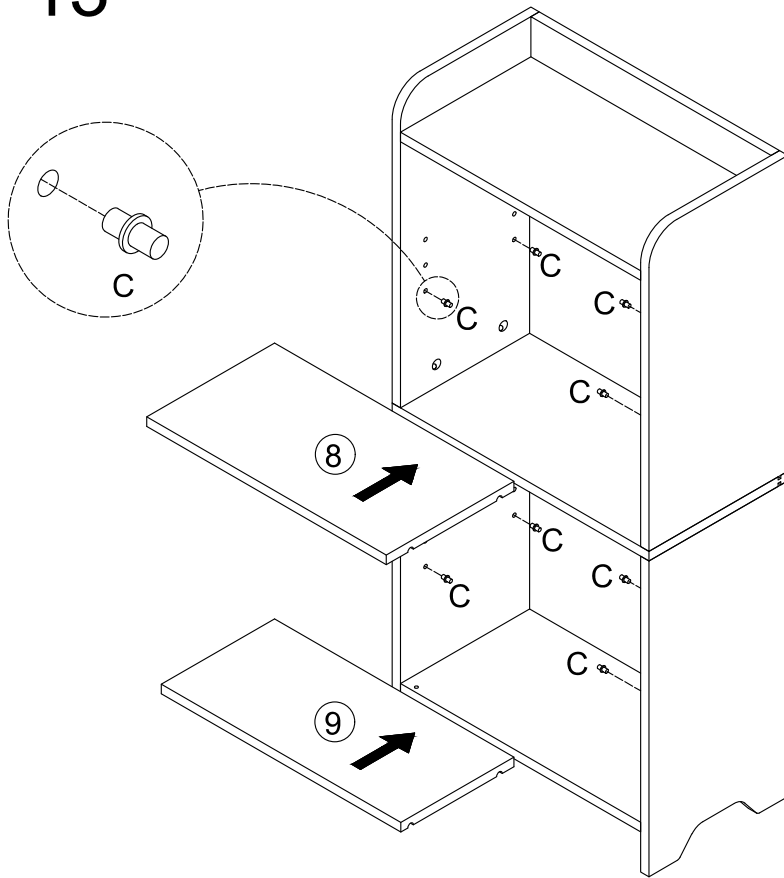
L  4PCS






Need to bring your own hammer

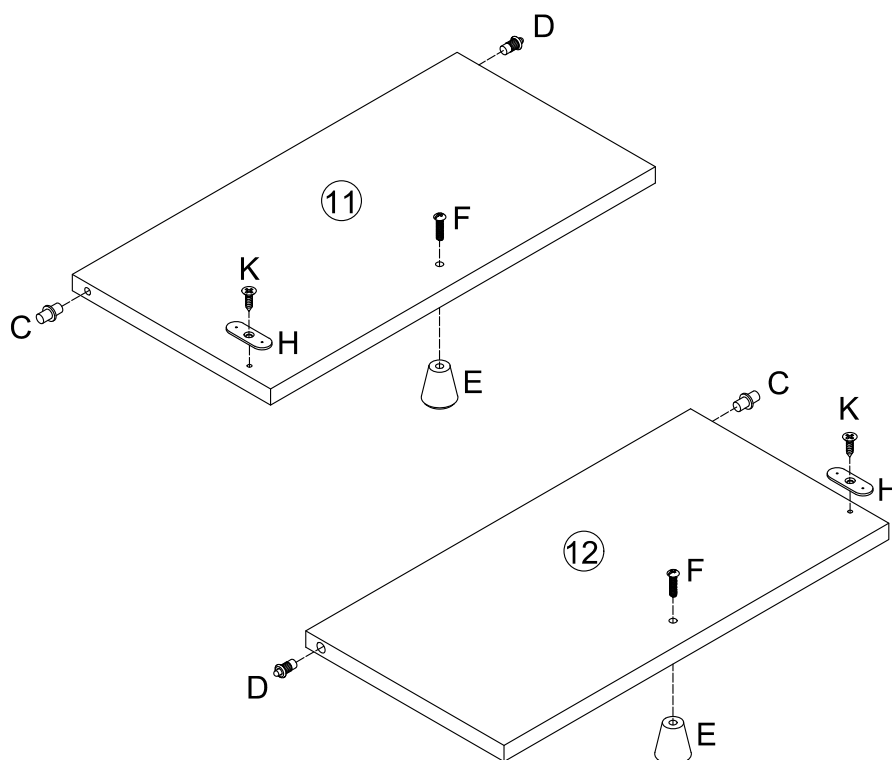
ASSEMBLY INSTRUCTION




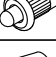




STEP 13



8		1PC
9		1PC
C		8PCS

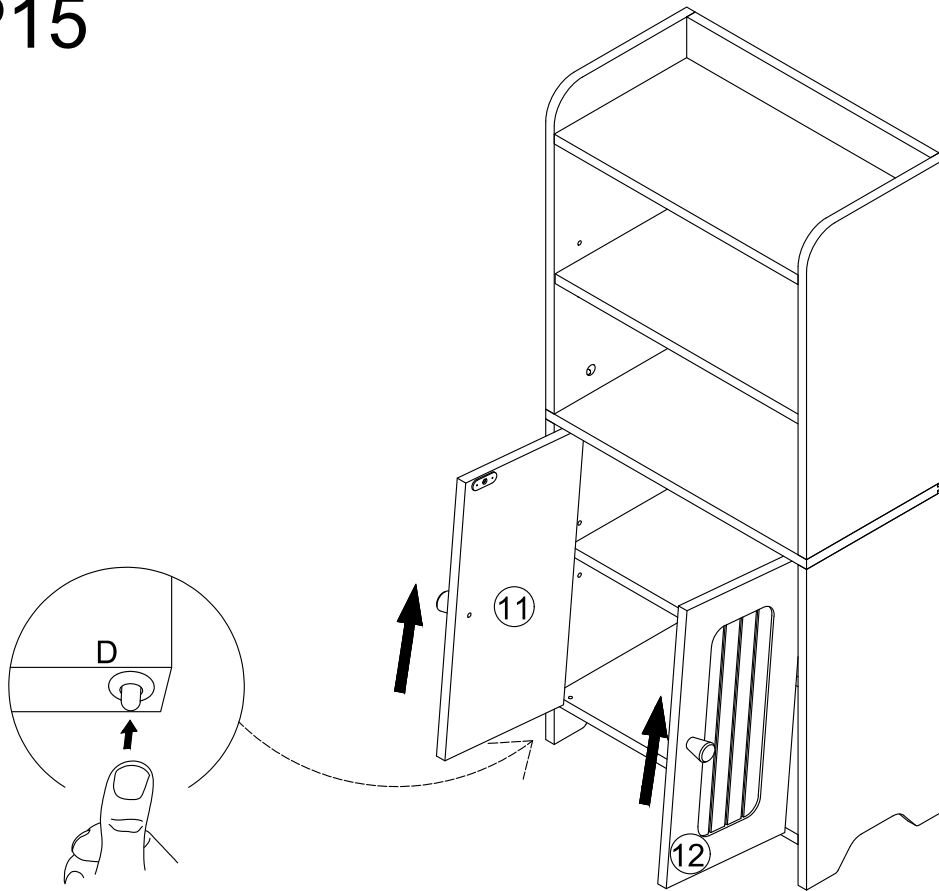
STEP 14



11		1PC
12		1PC
C		2PCS
D		2PCS
E		2PCS
F		2PCS
H		2PCS
K		2PCS

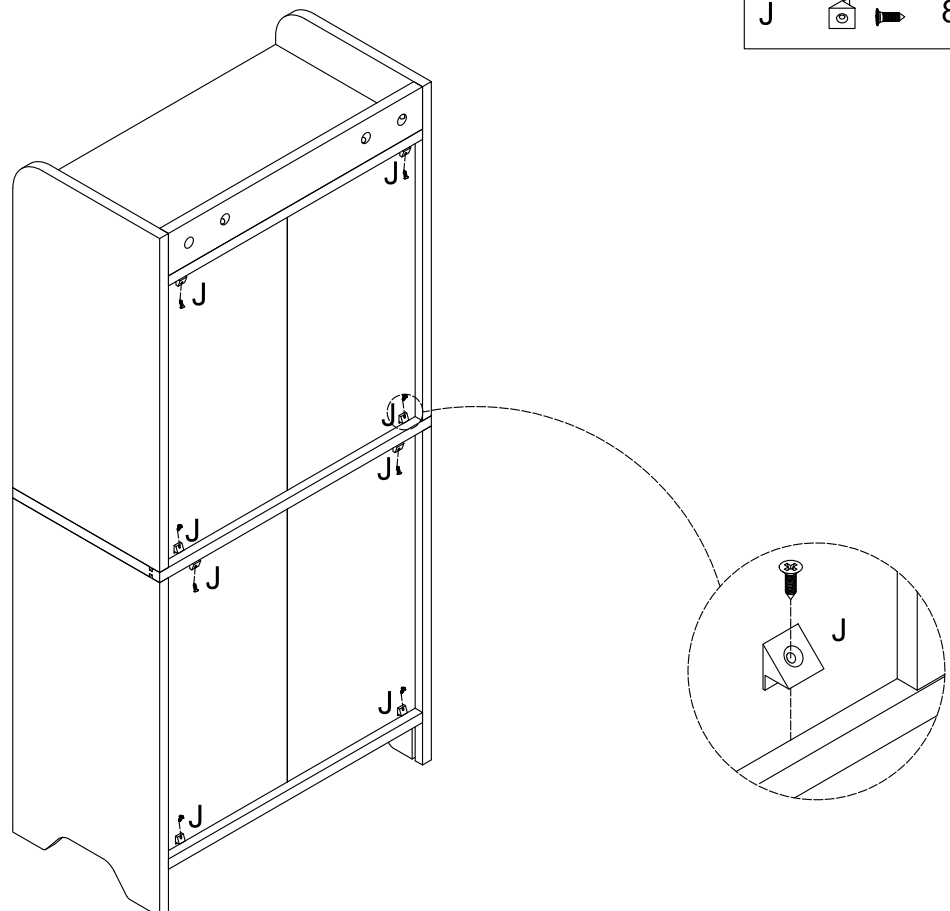
ASSEMBLY INSTRUCTION

STEP 15



STEP 16

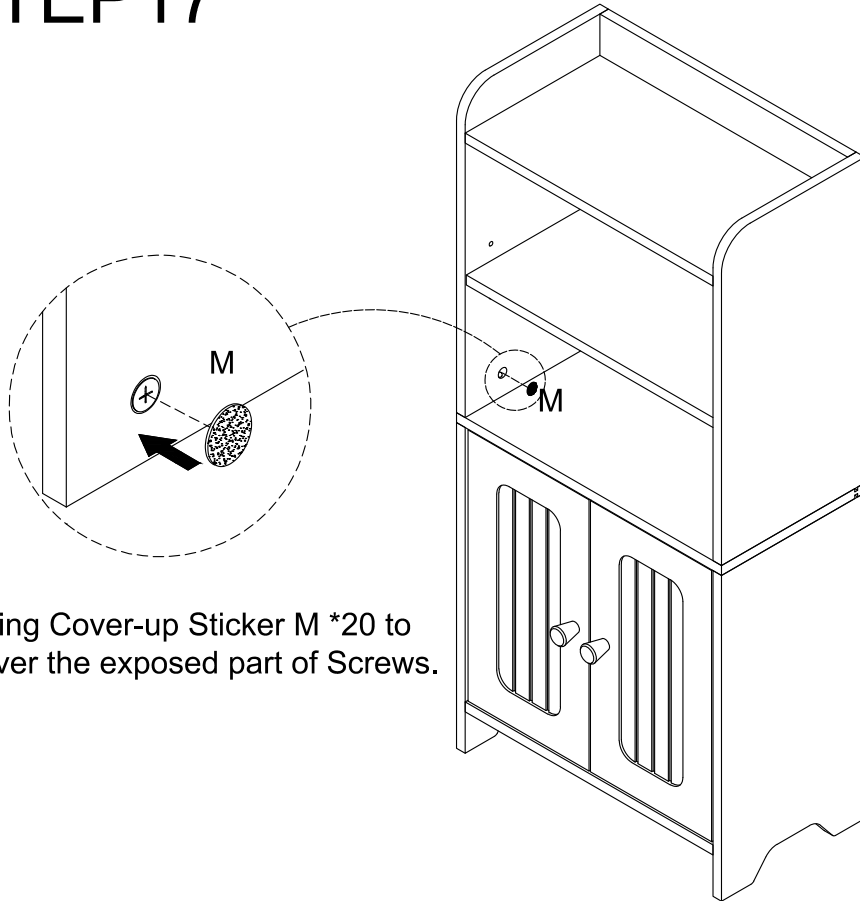
J   8PCS



ASSEMBLY INSTRUCTION

STEP17

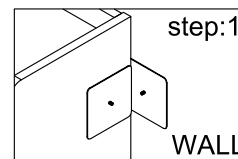
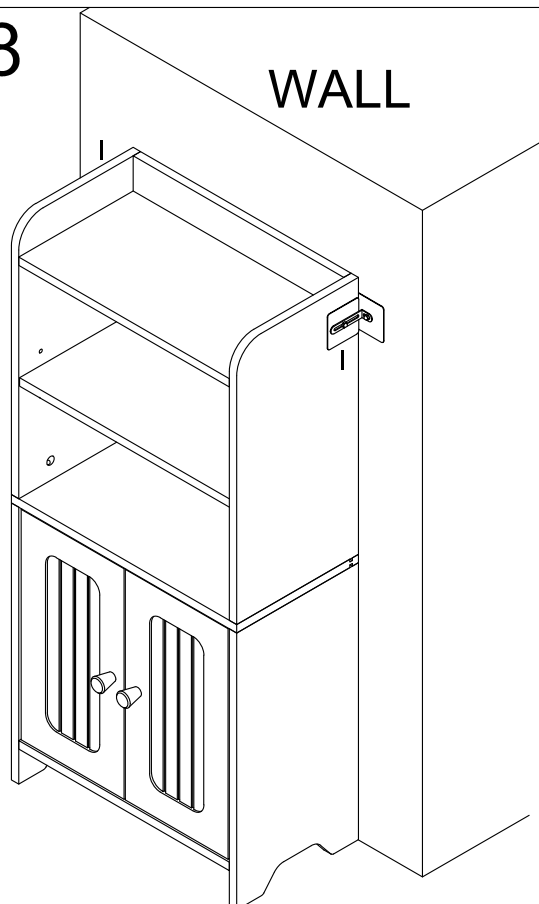
M  20PCS



Using Cover-up Sticker M *20 to cover the exposed part of Screws.

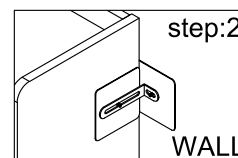
STEP18

I  2PCS



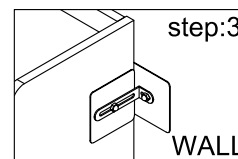
step:1

①. Align with the wall and cabinet and paste them



step:2

②. Install the metal connector onto the corresponding adhesive screw



step:3

③. Finally, tighten the screw cap

One accessory I on each side panel