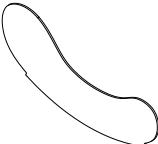
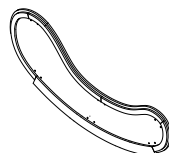
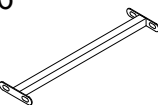
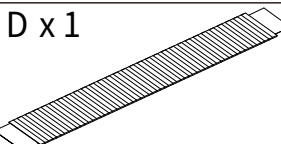

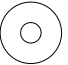


ASSEMBLY INSTRUCTION

- A x1 
- B x1 
- C x6 
- D x1 
- E x24 
- F x24 
- G x1 