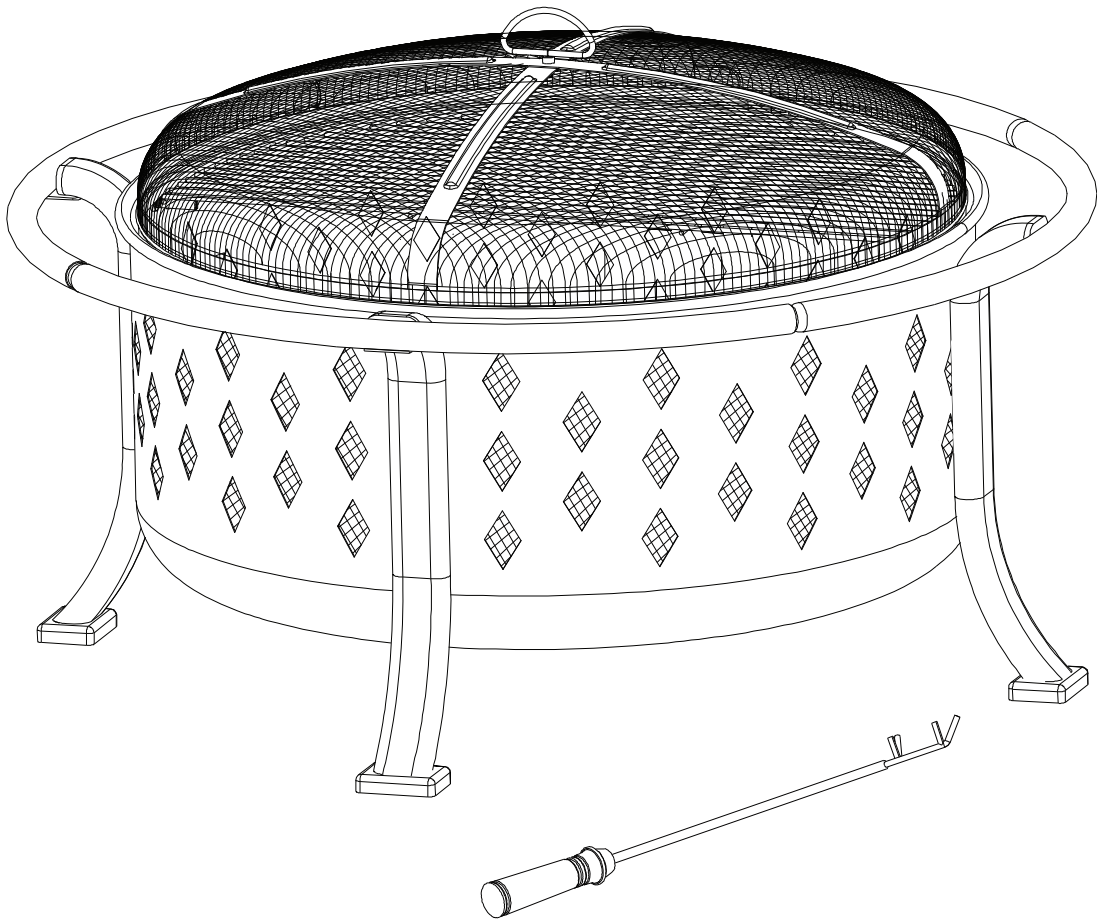
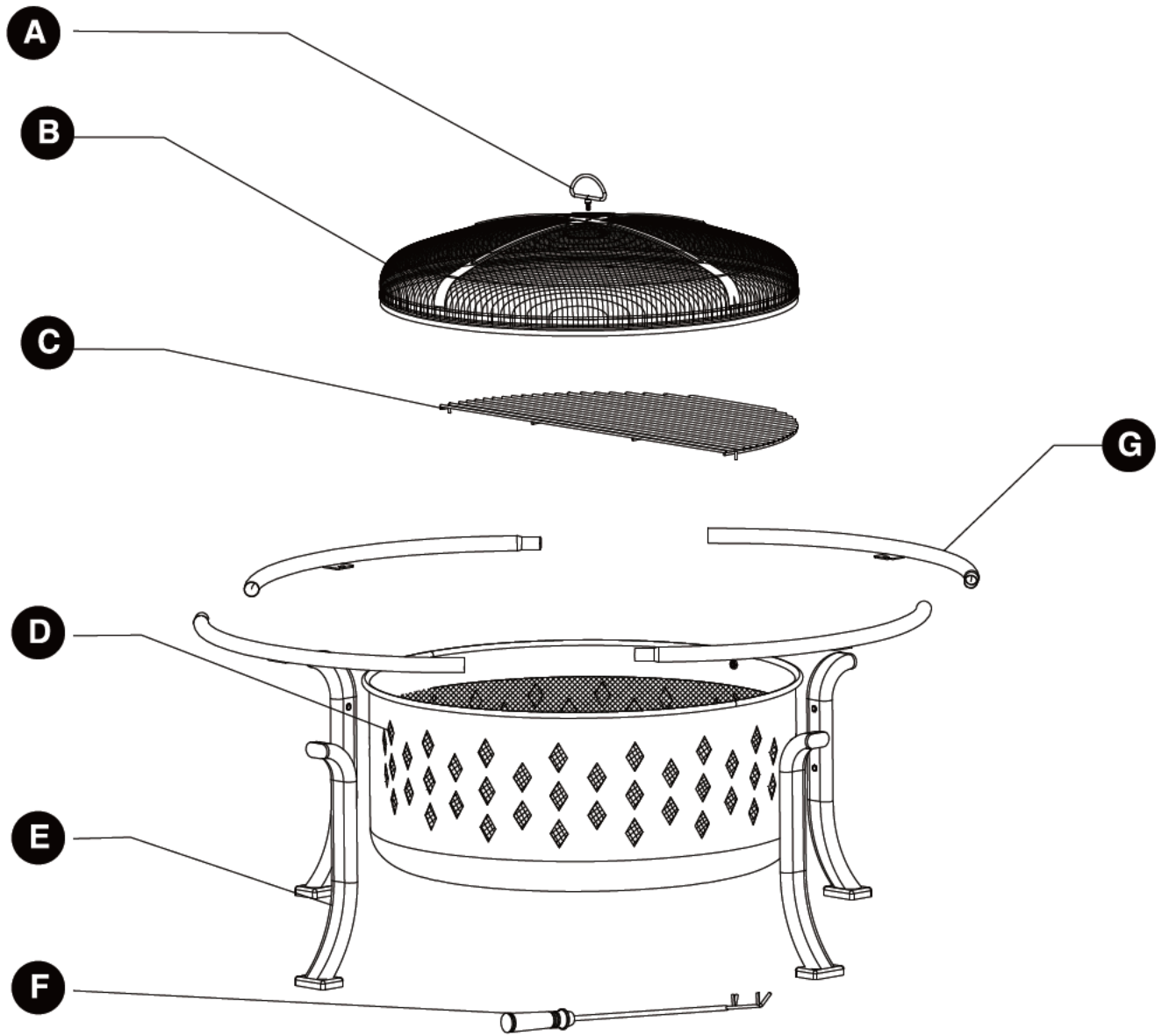


36" FIRE PIT WITH DEEP BOWL



User Manual

PACKAGE CONTENTS



PART	DESCRIPTION	QUANTITY
A	Poker Bracket	1
B	Mesh Cover	1
C	Cooking Grid	1
D	Fire Bowl	1
E	Legs	4
F	Poker	1
G	Outer Handles	4

HARDWARE LIST

AA



M6 x 15mm Bolt
Qty: 12

BB



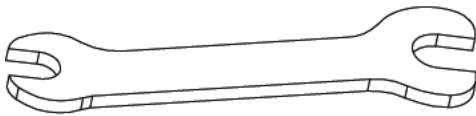
M6 Nut
Qty: 1

CC



Threaded Peg
Qty: 4

DD



Wrench
Qty: 1

EE



Phillips Screwdriver
Qty: 1

PART	DESCRIPTION	QUANTITY	GIVE AWAY
AA	M6 x 15mm Bolt	12	2
BB	M6 Nut	1	1
CC	Threaded Peg	4	1
DD	Wrench	1	
EE	Phillips Screwdriver	1	

HARDWARE LIST

SAFETY INFORMATION

Please read and understand this entire manual before attempting to assemble, operate or install the product. If you have any questions regarding the product,

WARNINGS:

- Do not allow children or pets near the fire pit without supervision.
- Do not touch surface of fire pit while in use.
- For outdoor use only! Burning wood and charcoal indoors can kill you. It gives off carbon monoxide, which has no odor.
- Never burn in vehicles, tents, garages, other enclosed areas or indoors. Carbon monoxide hazard.
- Never leave fire unattended!
- Never place a storage cover on fire pit when in use. Ensure the fire pit and mesh cover have cooled before placing a storage cover over the fire pit.
- When the fire pit is in use, the poker bracket on the mesh cover can reach extreme temperatures that can cause serious injury to an unprotected hand. Use a poker when handling.
- Do not use under overhead cables or power lines.

CAUTIONS:

- Adequate fire extinguishing material should be readily available.
- Always ensure that the mesh cover is secured over fire bowl while in use.
- Burn only seasoned hard wood or fire logs in the fire pit.
- Do not attempt to move the fire pit while it is hot or in use.
- Do not use gasoline or kerosene to start the fire in your fire pit.
- Do not use this outdoor fire pit under any overhead or near any unprotected combustible constructions. Avoid using near or under overhanging trees and shrubs. Do not use this unit on long or dry grass and/or leaves.
- Always use this outdoor fire pit on a hard, level, non-combustible surface such as concrete, rock or stone. An asphalt or blacktop surface may not be acceptable for this purpose. Do not use on wooden decks.
- Place the fire pit no closer than 10 feet / 3.05 meters from walls or combustibles during use.
- Poker handle may become hot during and after use.
- Use heat-resistant gloves to handle hot tools.

WARNING

This product and the fuels used to operate this product (charcoal or wood), and the products of combustion of such fuels, can expose you to chemicals including carbon black, which is known to the State of California to cause cancer, and carbon monoxide, which is known to the State of California to cause birth defects or other reproductive harm.

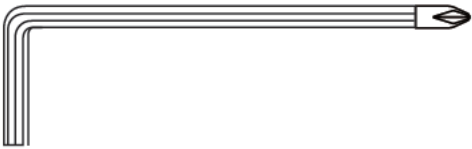
PREPARATION

Before beginning assembly of product, make sure all parts are present. Compare parts with package contents list and hardware contents above. If any part is missing or damaged, do not attempt to assemble the product. Contact customer service for replacement parts.

Estimated Assembly Time: 30 minutes

Tools Required for Assembly:

Phillips Screwdriver (Included) and Wrench (Included)



ASSEMBLY INSTRUCTIONS

Notice before installation:

Don't overtighten the screws at the beginning!

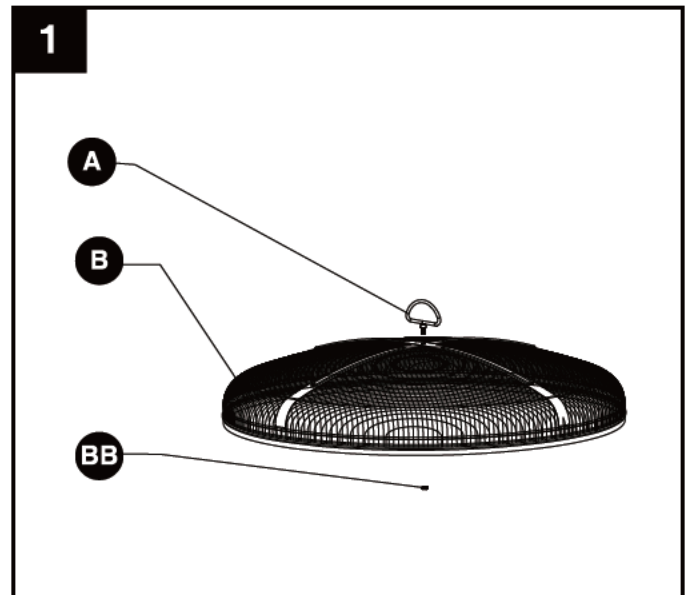
Once all pre-drilled holes and bolts are properly aligned and installed, then finish tightening all bolts with a screwdriver.

1. Insert the poker bracket (A) into the hole in the mesh cover (B) and secure with M6 Nut (BB). Tighten the nut with the wrench (DD).

Hardware Used

BB M6 Nut  x 1

DD Wrench 



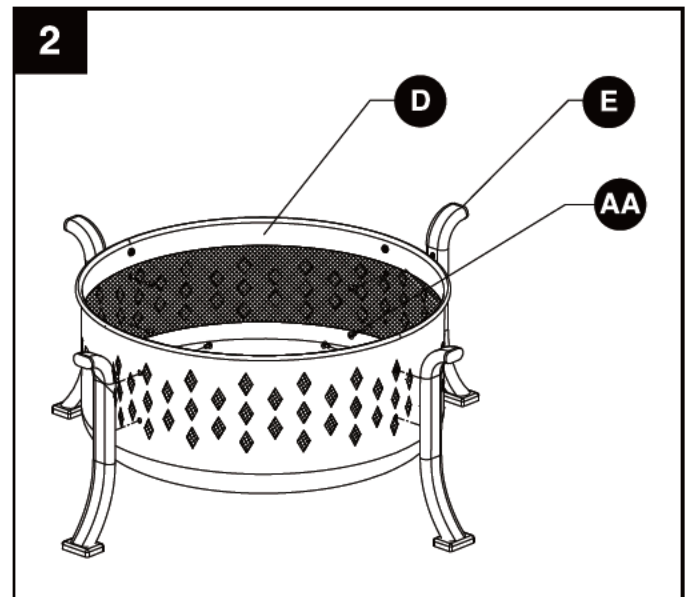
ASSEMBLY INSTRUCTIONS

2. Attach legs (E) to the fire bowl (D) by inserting the M6 x 15mm bolts (AA) through the pre-drilled holes in the fire bowl (D) and legs (E) as illustrated. Tighten all bolts with a screwdriver.

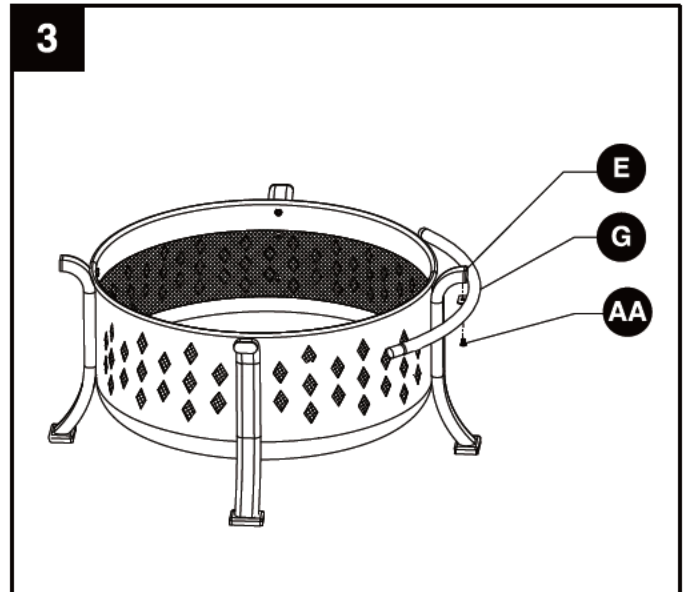
Hardware Used

AA M6x15mm Bolt  x 8

Notice: If the fire pit wobble slightly after installing the legs, please loosen a little of the M6 x 15mm bolts on the corresponding leg, then adjust the bolts up or down from the pre-drilled hole until it is level.

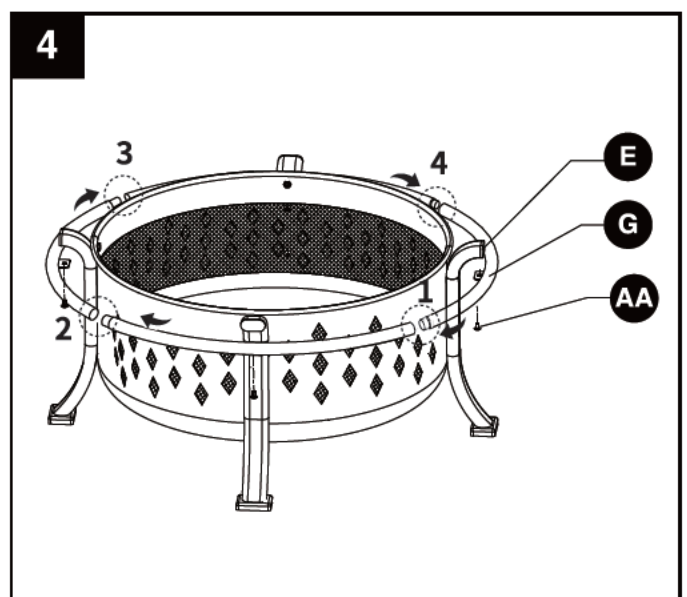


3. Attach first outer handle (G) to the top of the leg (E) by inserting M6 x 15mm bolt (AA) through pre-drilled hole in handle (G) and leg (E). Slowly adjust for proper alignment. Once the pre-drilled hole and bolt is properly aligned, then tightening the bolt with a screwdriver.



4. Fix the rest external handles and legs with M6 x 15 mm bolts in turn, while assembling the remaining external handles (G) by inserting the male end of each external handle (G) into the corresponding female end to assemble a complete circular exterior handle.

(Option 2: Slowly turn over the fire pit and cover it on the ground, then follow the above methods to complete the installation of the outer handle and the legs in sequence.)



Hardware Used

AA M6x15mm Bolt  x 4

ASSEMBLY INSTRUCTIONS

5. Insert threaded pegs (CC) into the edge of the fire bowl (D) as illustrated and hand tighten.

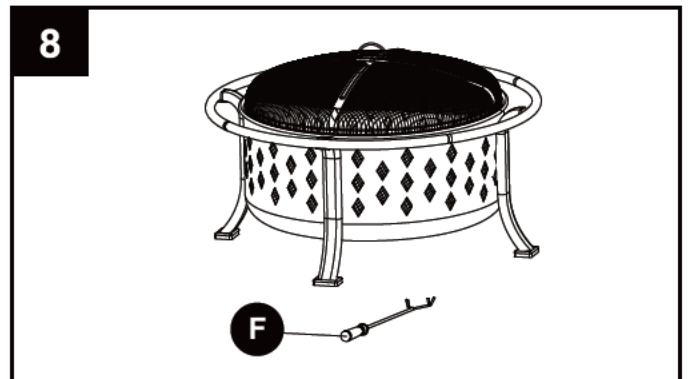
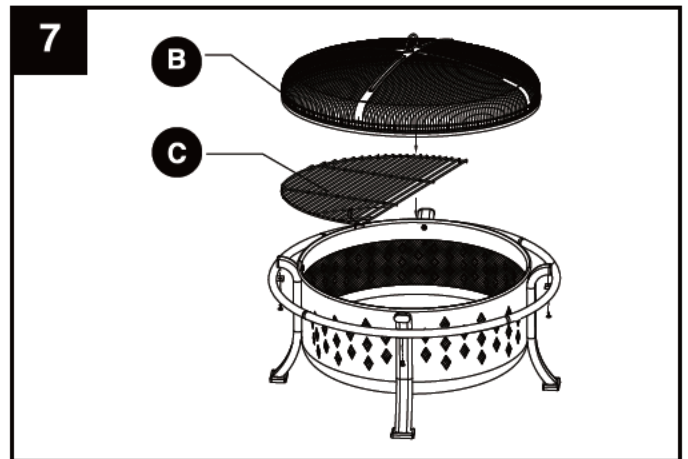
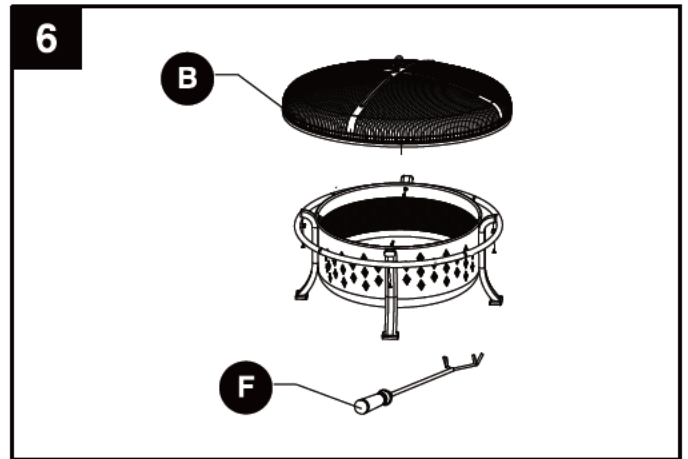
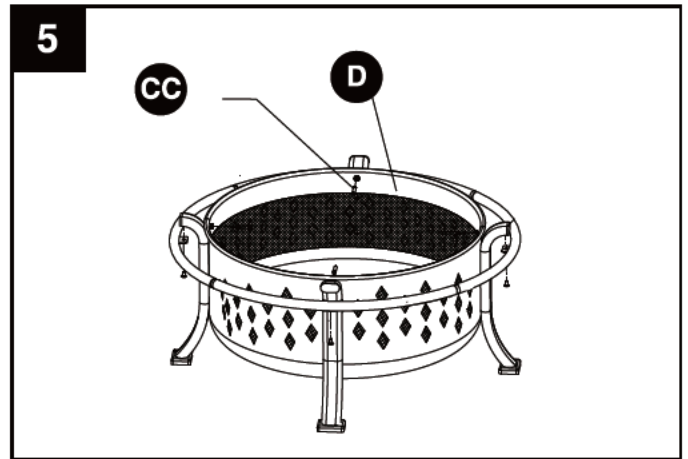
Hardware Used

CC Threaded Peg  x 4

6. For fire pit use, top with mesh cover (B). Place poker (F) beside fire pit for use as needed.

7. For barbeque use, remove mesh cover (B), place cooking grid (C) onto the threaded pegs in the bowl.

8. Replace mesh cover (B) when fire is lit and food is placed on the cooking grid. Keep poker (F) near the fire pit for use anytime.



CARE AND MAINTENANCE

- Allow the fire pit to cool completely before moving the fire pit.
- To extend the life of your fire pit, clean it after each use.
- To protect fire pit finish, use a soft cloth to wipe fire pit and poker.
- Do not attempt to clean while hot.
- Store in a cool, clean, dry place.
- Use gloves in lieu of bare hands while handling.
- Place a storage cover over the fire pit once it has cooled.

Dispose of the packaging separated into single type materials. Dispose of cardboard and carton as waste paper and foils via the recyclable material collection service.

if you get an exception when using this product, please refer to the list below



Disposing of the packaging