

ASSEMBLY INSTRUCTIONS & PARTS IDENTIFICATION

50" CONSOLE

Thank you for buying this high-quality product. Please inspect all packaging materials meticulously for any small parts that might have become loose inside the box during shipping.

No.	QTY	Description	No.	QTY	Description
1	2 PCS	LEG ASSEMBLY	6	3 PCS	WOOD DOOR STOP
2	3 PCS	DOOR	7	3 PCS	CABLE COVER
3	3 PCS	SHELF	8	4 PCS	LEVELER (M6 X 25mm)
4	6 PCS	HINGE	9	2 PCS	ANTI-TIP KIT
5	3 PCS	TOUCH RELEASE DOOR CATCH			

SET UP REQUIRES 2 PEOPLE

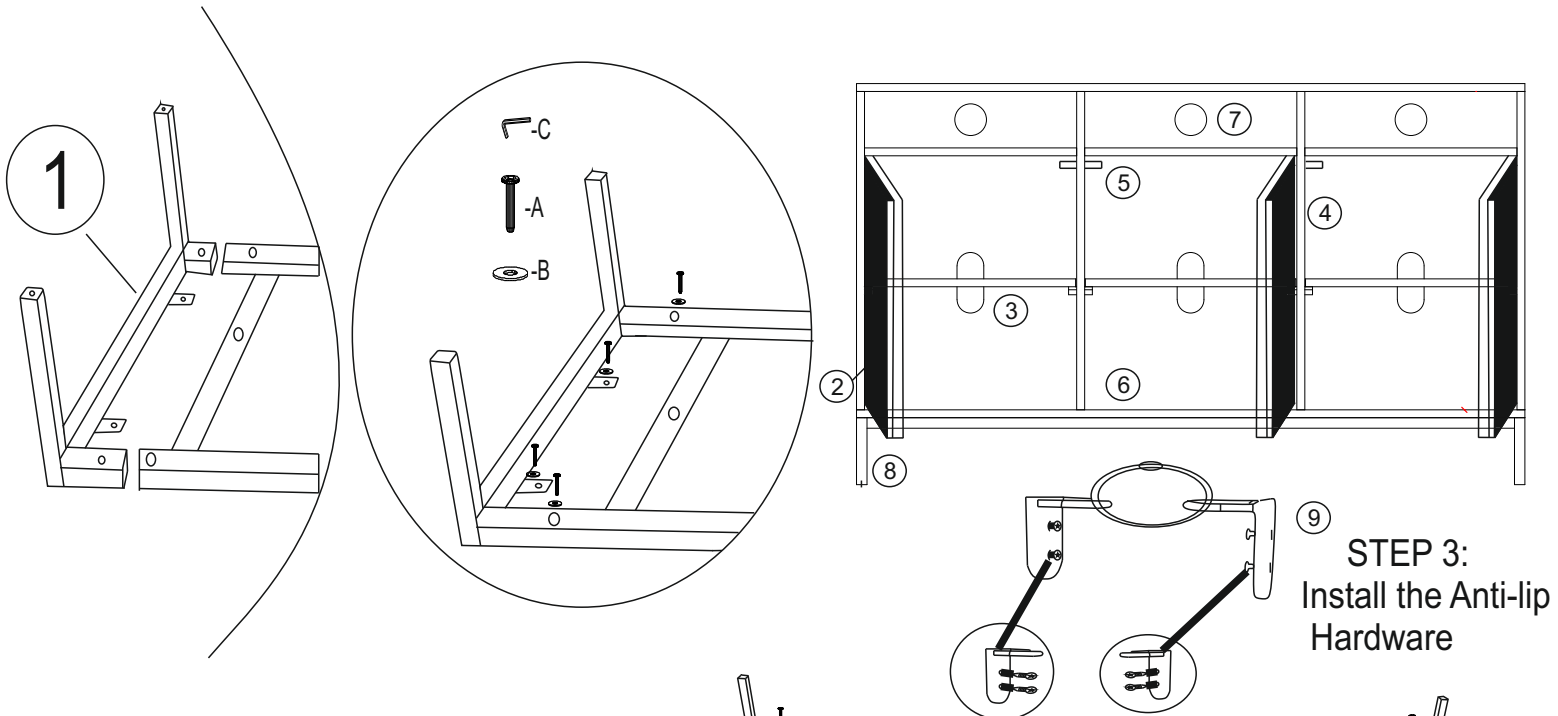
PLEASE NOTE: To help prevent the possibility of tip-over, install the tipover restraint provided.

CONSOLE HARDWARE KIT

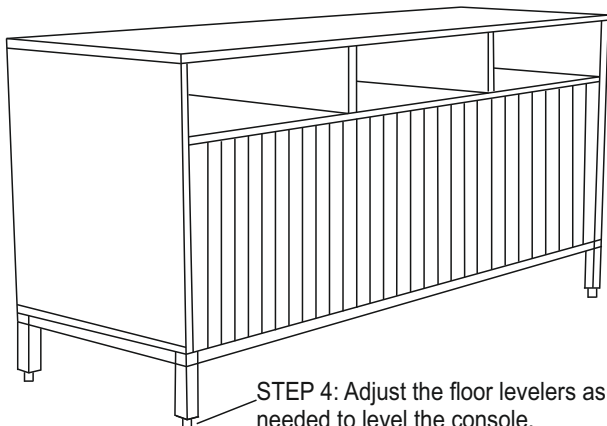
A	BOLT (M6X1X16mm)	8 PCS
B	FLAT WASHER (M6)	8 PCS
C	ALLEN KEY (4mm)	1 PCS

STEP 1: Place the console upside down on a padded surface to prevent scratches

STEP 2: Attach the Leg Assembly to each end of the base by inserting the ends into the front and back rail. Secure the legs with a bolt and washer and hand tighten with the Allen Key when all bolts are in place.



STEP 3: Install the Anti-lip Hardware



STEP 4: Adjust the floor levelers as needed to level the console.

