

# ASSEMBLY INSTRUCTIONS



*Fine Furniture for every stage of life*

## **Eastern King Storage Bed**

REVISION 0 : 12/23/2019  
REVISION 1 : 06/10/2020  
REVISION 2 : 06/01/2022

PAGE 1 OF 11

# ITEM: (B1&B2)

## ASSEMBLY INSTRUCTIONS

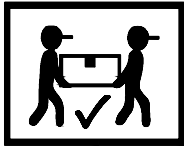
### ASSEMBLY TIPS:

1. Remove hardware from box and sort by size.
2. Please check to see that all hardware and parts are present prior to start of assembly.
3. Please follow attached instructions in the same sequence as numbered to assure fast & easy assembly.



### WARNING!

1. Don't attempt to repair or modify parts that are broken or defective. Please contact the store immediately.
2. This product is for home use only and not intended for commercial establishments.



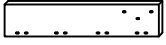
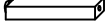
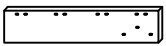
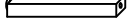







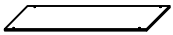



**ASSEMBLY TIME**


**30 MINUTES**

## PARTS IDENTIFICATION

### B1 (BOX 1)

A	HEADBOARD PANEL		4 PCS	I	ROLL SLAT (6 PCS)		2 SETS
B	LEFT HEADBOARD SUPPORT (WITH "L" LABEL)		1 PC	J	SHORT BED SLAT SUPPORT WITH LEVELER		4 PCS
C	RIGHT HEADBOARD SUPPORT (WITH "R" LABEL)		1 PC	K	LONG BED SLAT SUPPORT WITH LEVELER		8 PCS
D	CENTRE HEADBOARD SUPPORT		1 PC	L	ROLL SLAT SUPPORT RAIL		2 PCS
E	LEFT HEADBOARD LEG (WITH "L" LABEL)		1 PC	M	DRAWER FRAME		1 PC
F	RIGHT HEADBOARD LEG (WITH "R" LABEL)		1 PC	O	DRAWER FRAME SUPPORT WITH LEVELER		3 PCS
G	FOOTBOARD		1 PC	P	CONCEAL PANEL		1 PC
H	BED RAIL(L&R)		2 PCS				

### B2 (BOX 2)

N	DRAWER		2 PCS				
---	--------	---	-------	--	--	--	--

# ITEM: (B1&B2)

## ASSEMBLY INSTRUCTIONS

### ASSEMBLY TIPS:

1. Remove hardware from box and sort by size.
2. Please check to see that all hardware and parts are present prior to start of assembly.
3. Please follow attached instructions in the same sequence as numbered to assure fast & easy assembly.



### WARNING!

1. Don't attempt to repair or modify parts that are broken or defective. Please contact the store immediately.
2. This product is for home use only and not intended for commercial establishments.

## HARDWARE IDENTIFICATION

### Z-B1 (BOX 1) - HARDWARE PACK IS LOCATED IN (B1)

1	<b>BOLT 1</b> (M8 x 20MM - RBW)		8 PCS	9	<b>PAN HEAD SCREW</b> (M4 x 16MM-BLK)		4 PCS
2	<b>BOLT 2</b> (M8 x 35MM - RBW)		22 PCS	10	<b>SHORT FLAT HEAD SCREW</b> (M4 x 16MM - BLK)		4 PCS
3	<b>BOLT 3</b> (M6 x 25MM - RBW)		4 PCS	11	<b>LONG FLAT HEAD SCREW</b> (M4 x 32MM - RBW)		26 PCS
4	<b>BOLT 4</b> (M6 x 35MM - RBW)		8 PCS	12	<b>WOOD DOWEL</b> (M8ø x 30MM)		3 PCS
5	<b>BOLT 5</b> (M6 x 40MM - RBW)		6 PCS	13	<b>METAL BRACKET</b> (1 x 18 x 20mm - BLK)		2 PCS
6	<b>BOLT 6</b> (M6 x 50MM - RBW)		4 PCS	14	<b>SMALL ALLEN WRENCH</b> (M4 x 65mm - BLK)		1 PC
7	<b>LOCK WASHER</b> (5/16" x 14ø - RBW)		22 PCS	15	<b>BIG ALLEN WRENCH</b> (M5 x 65mm - BLK)		1 PC
8	<b>FLAT WASHER</b> (5/16" x 22ø - RBW)		22 PCS				

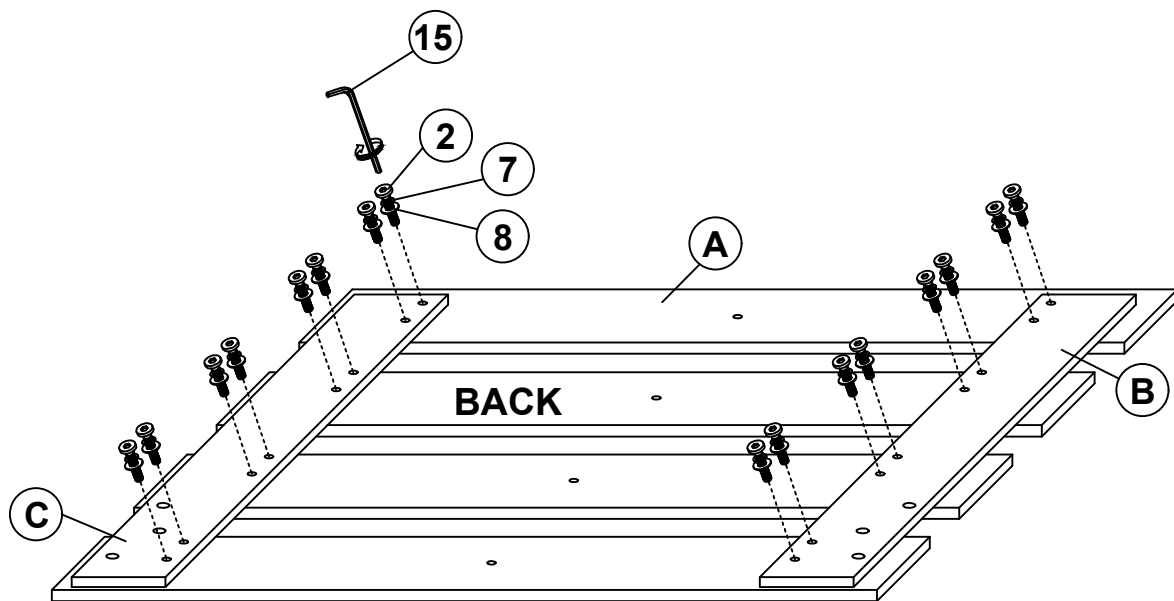
### NOTE:

Phillips head screw driver is required in the assembly process; however, manufacturer does not provided this item.

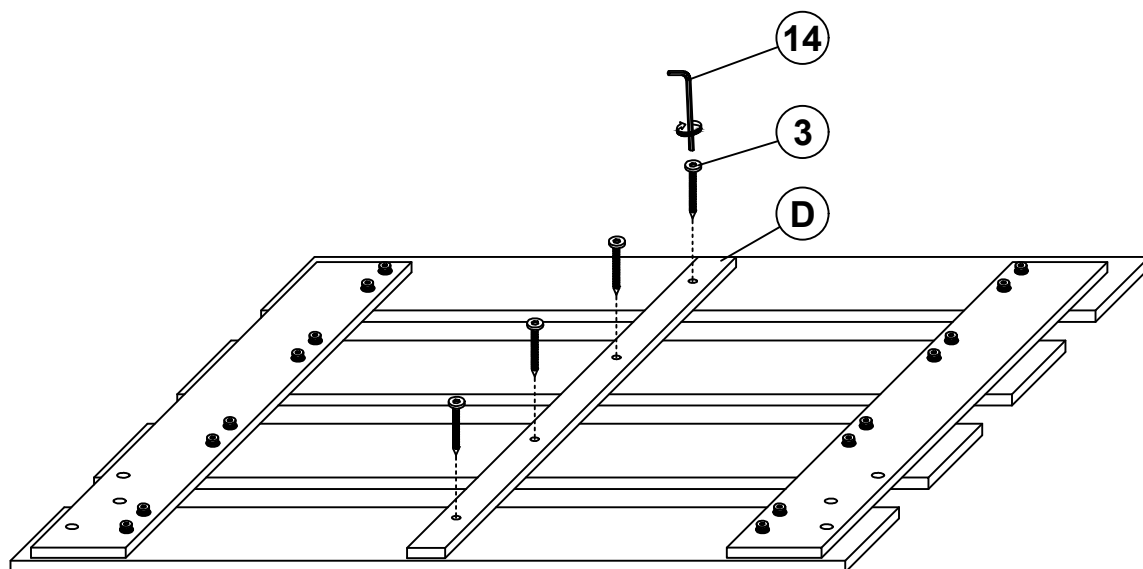
# ITEM: (B1&B2)

## ASSEMBLY INSTRUCTIONS

### STEP 1



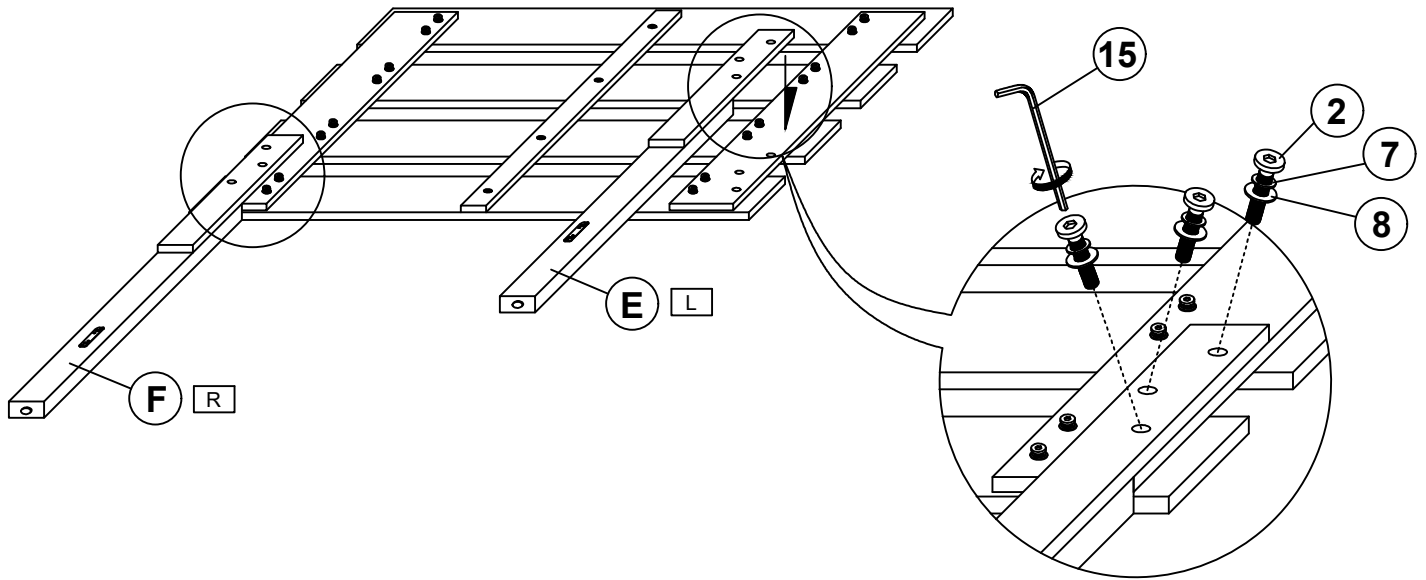
### STEP 2



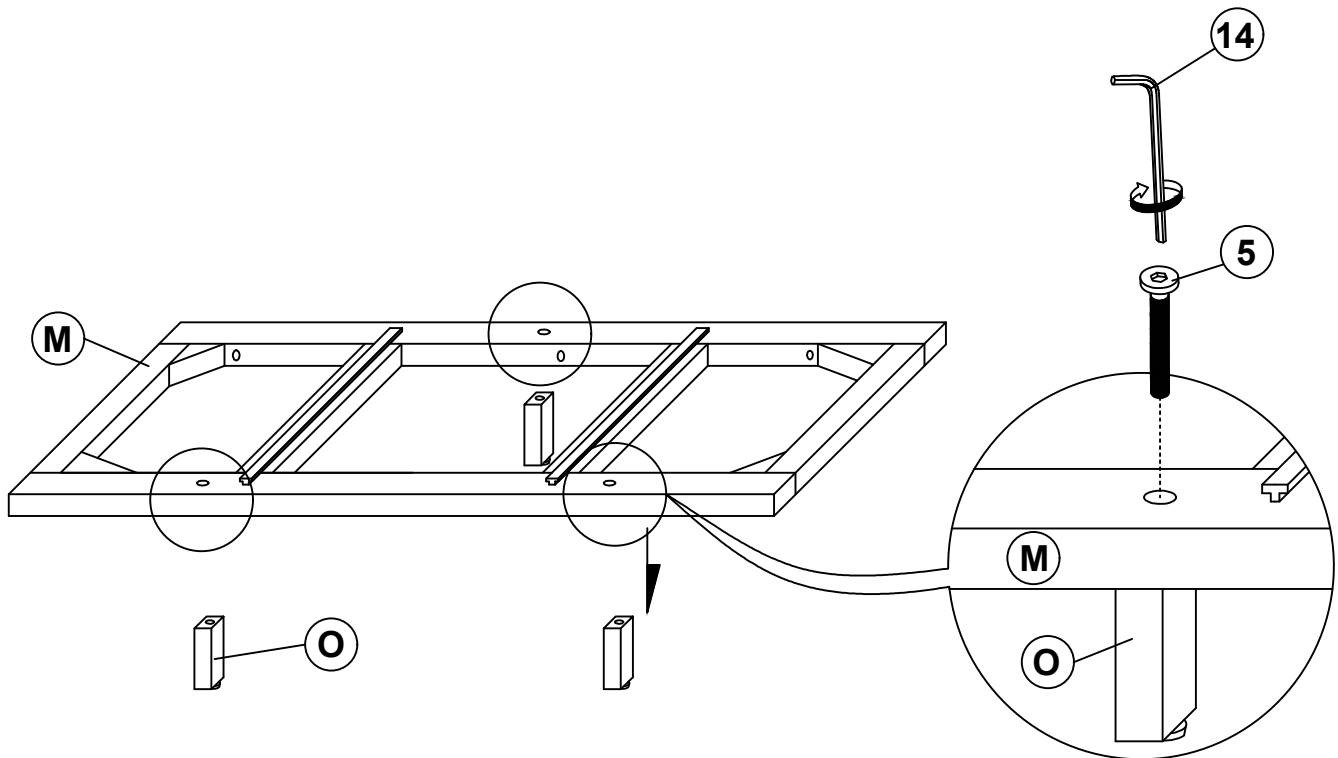
# ITEM: (B1&B2)

## ASSEMBLY INSTRUCTIONS

### STEP 3



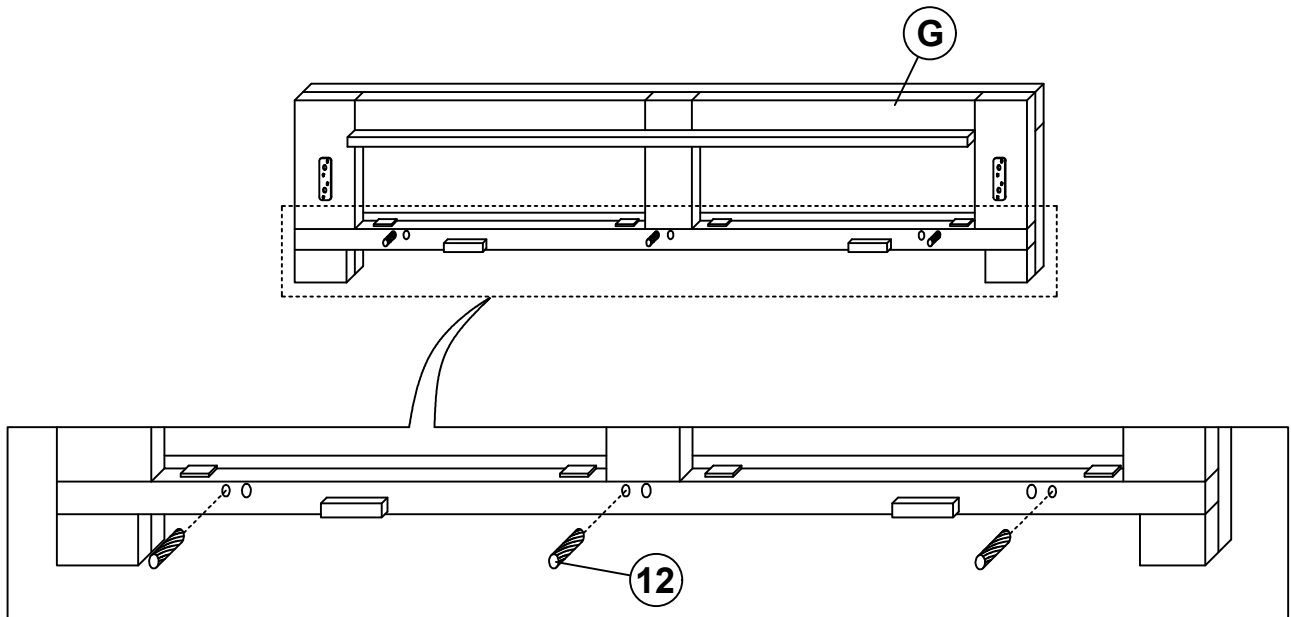
### STEP 4



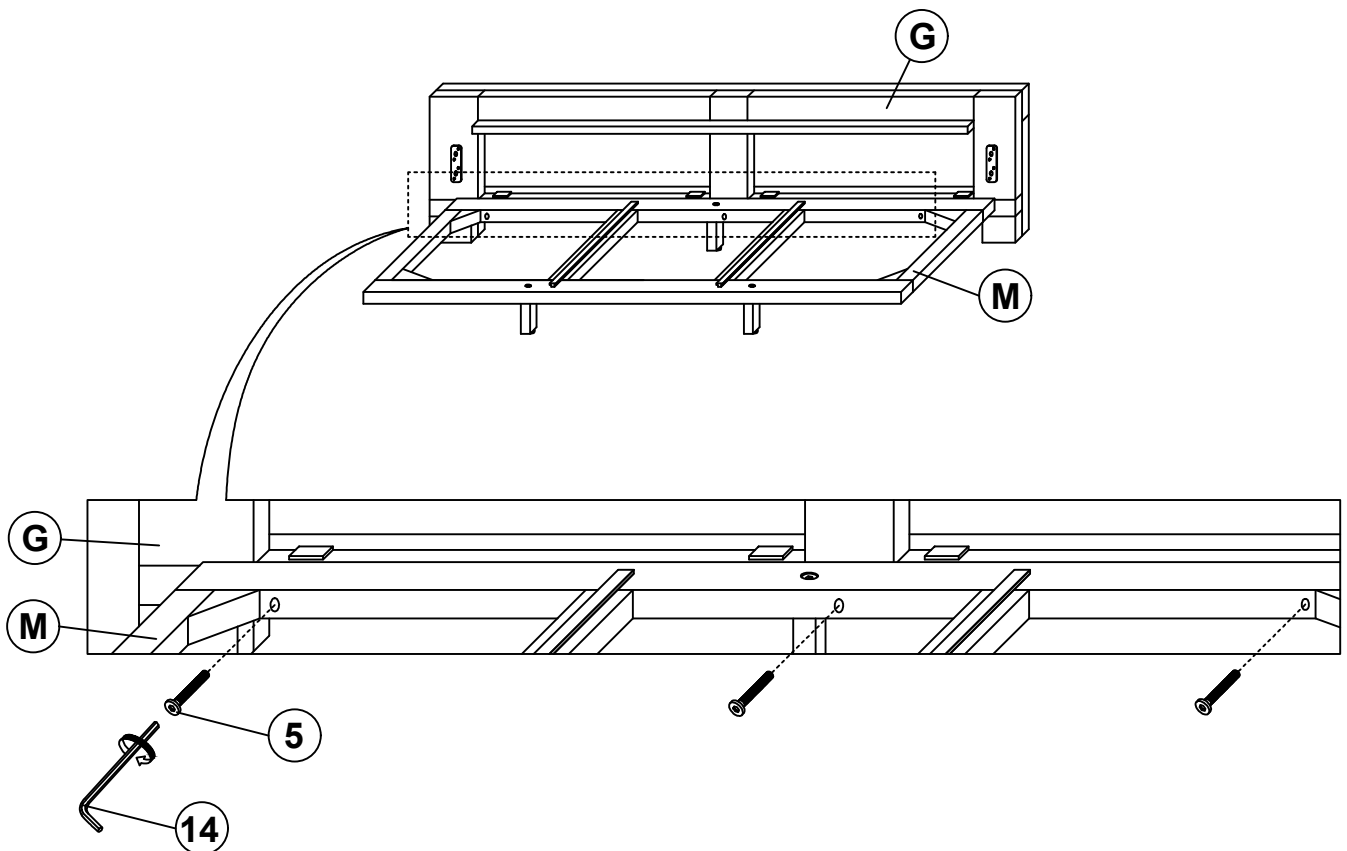
# ITEM: (B1&B2)

## ASSEMBLY INSTRUCTIONS

### STEP 5



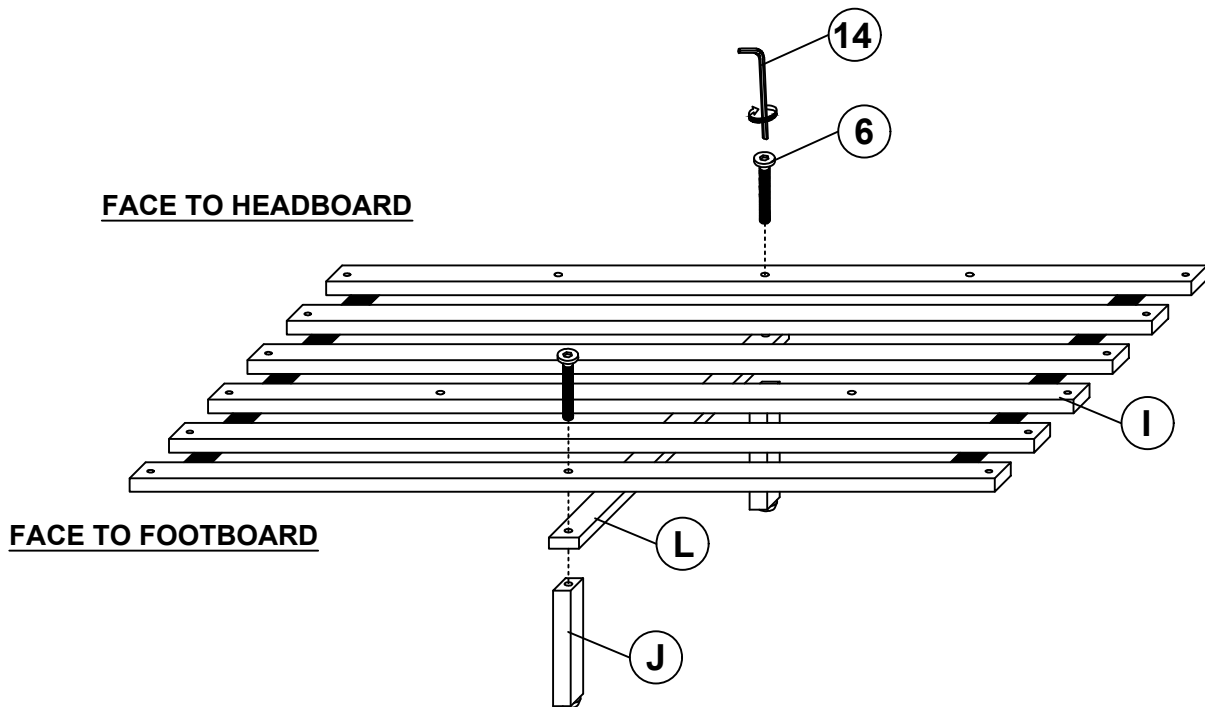
### STEP 6



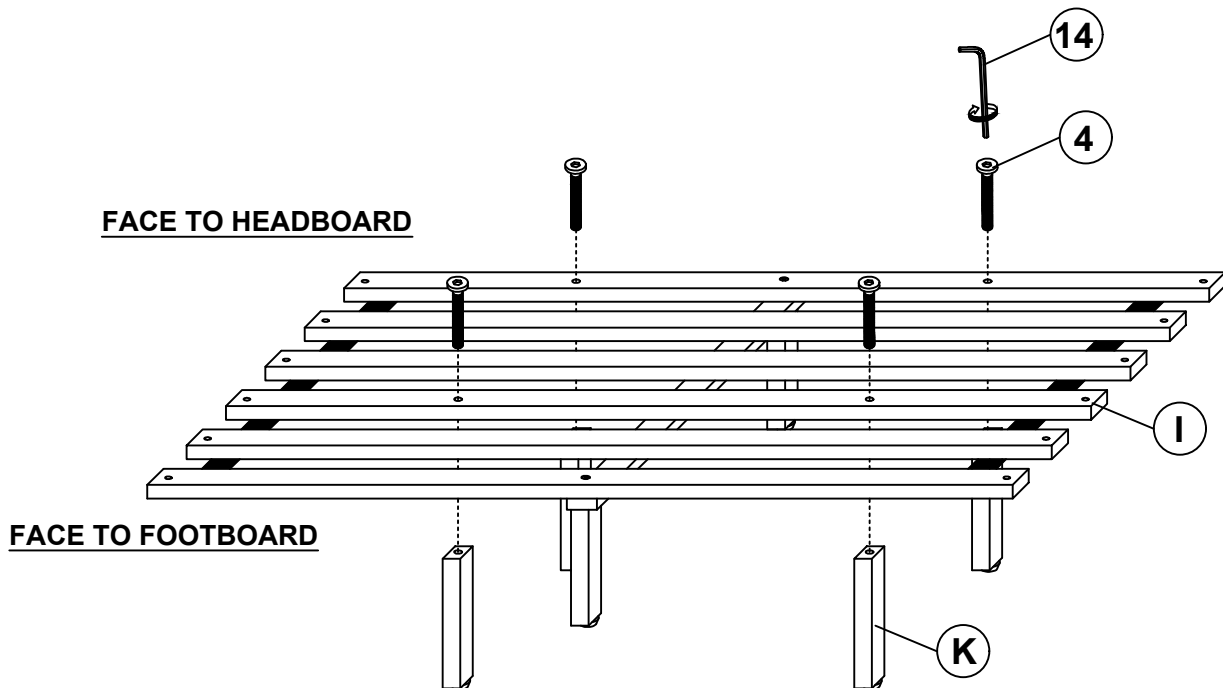
# ITEM: (B1&B2)

## ASSEMBLY INSTRUCTIONS

### STEP 7



### STEP 8

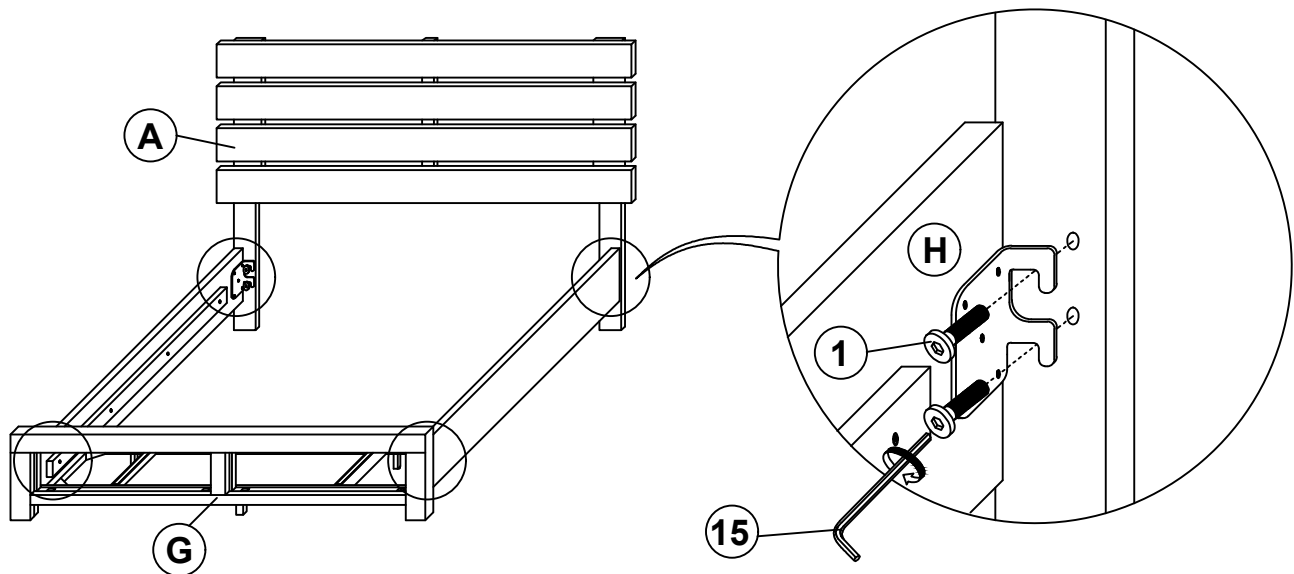
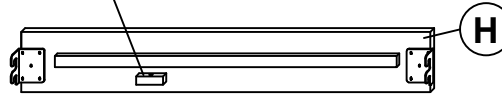


# ITEM: (B1&B2)

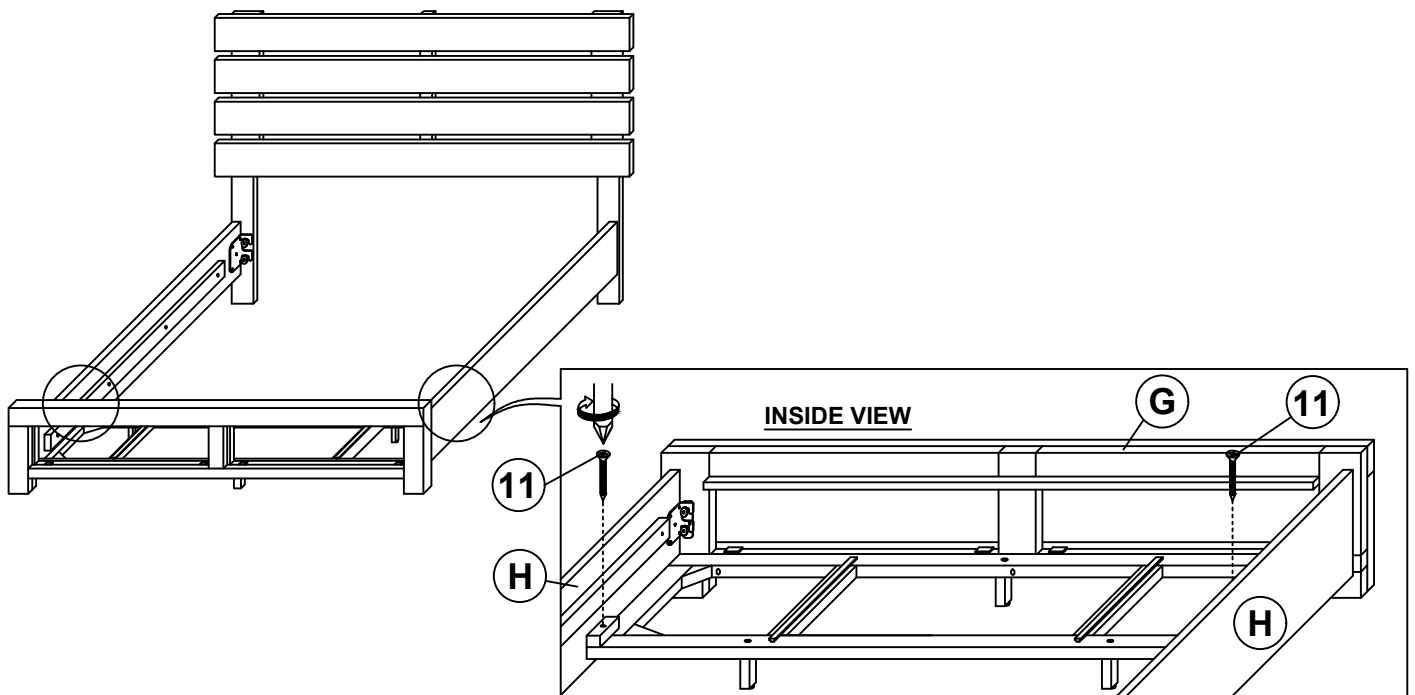
## ASSEMBLY INSTRUCTIONS

### STEP 9

THE SIDE WITH THE SMALL WOODEN BLOCK  
NEEDS TO FACE THE (G).



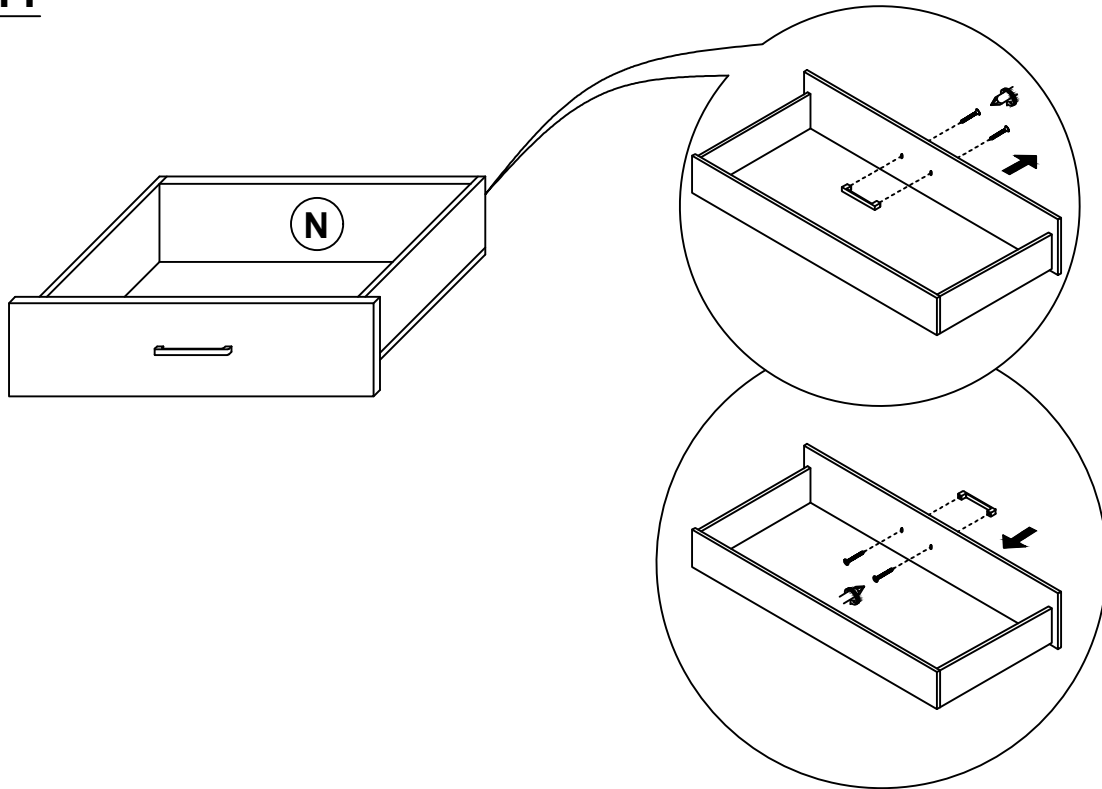
### STEP 10



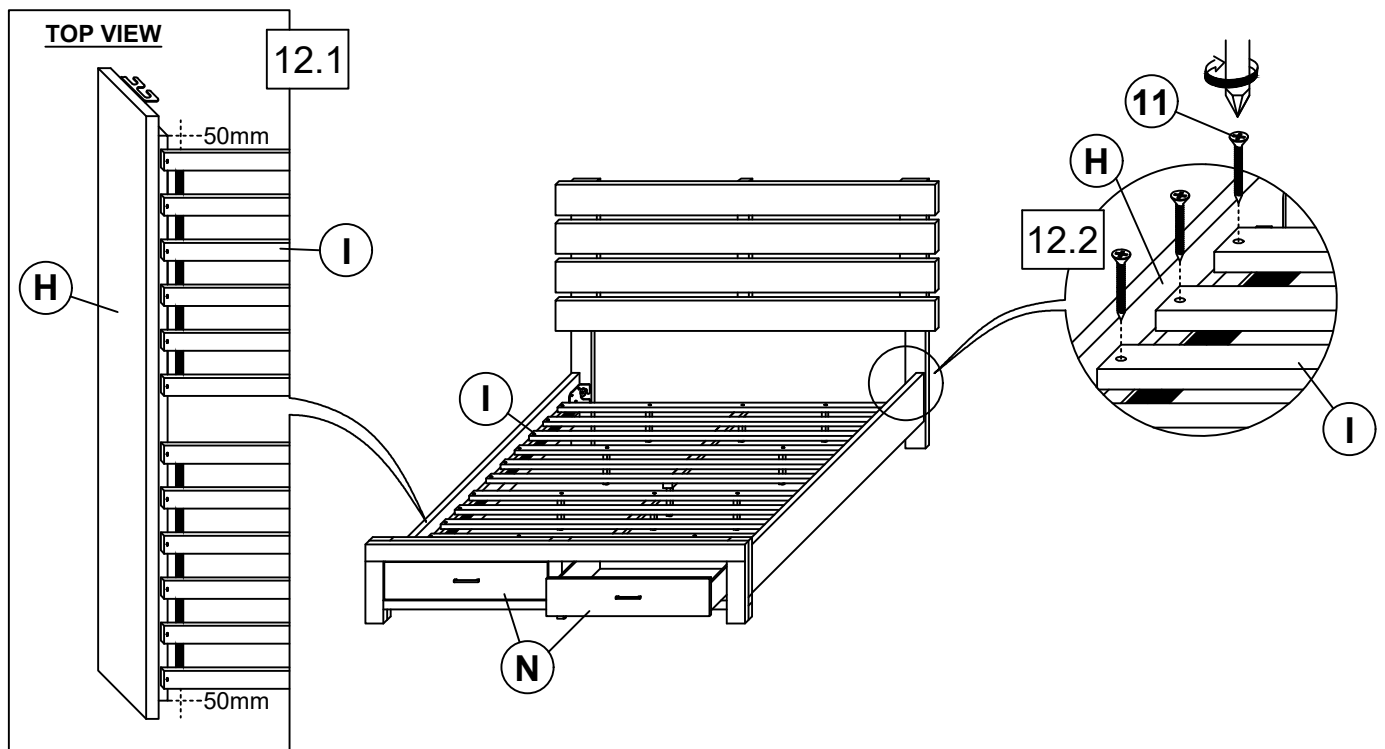
# ITEM: (B1&B2)

## ASSEMBLY INSTRUCTIONS

### STEP 11



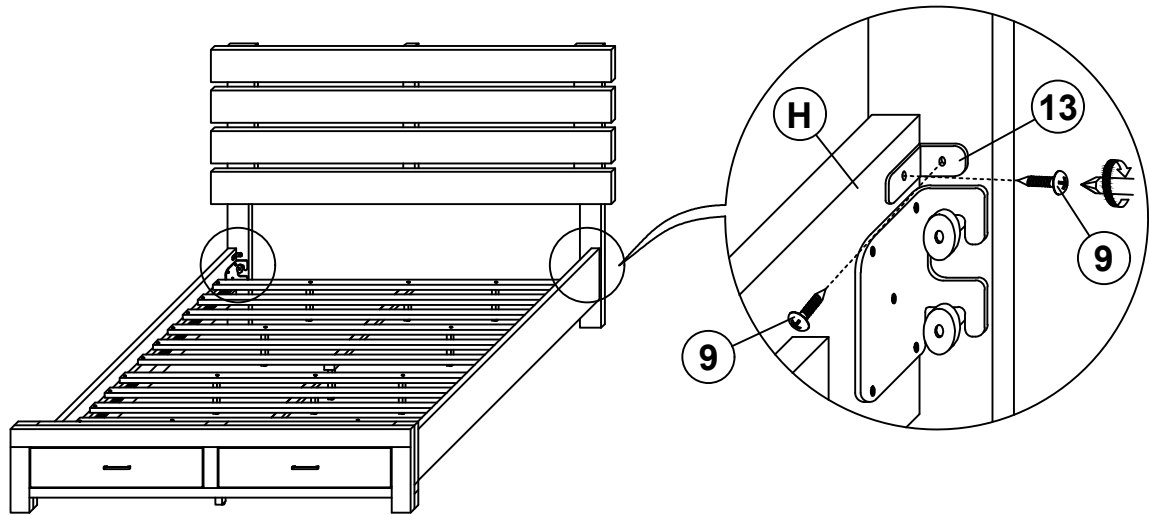
### STEP 12



ITEM: **(B1&B2)**

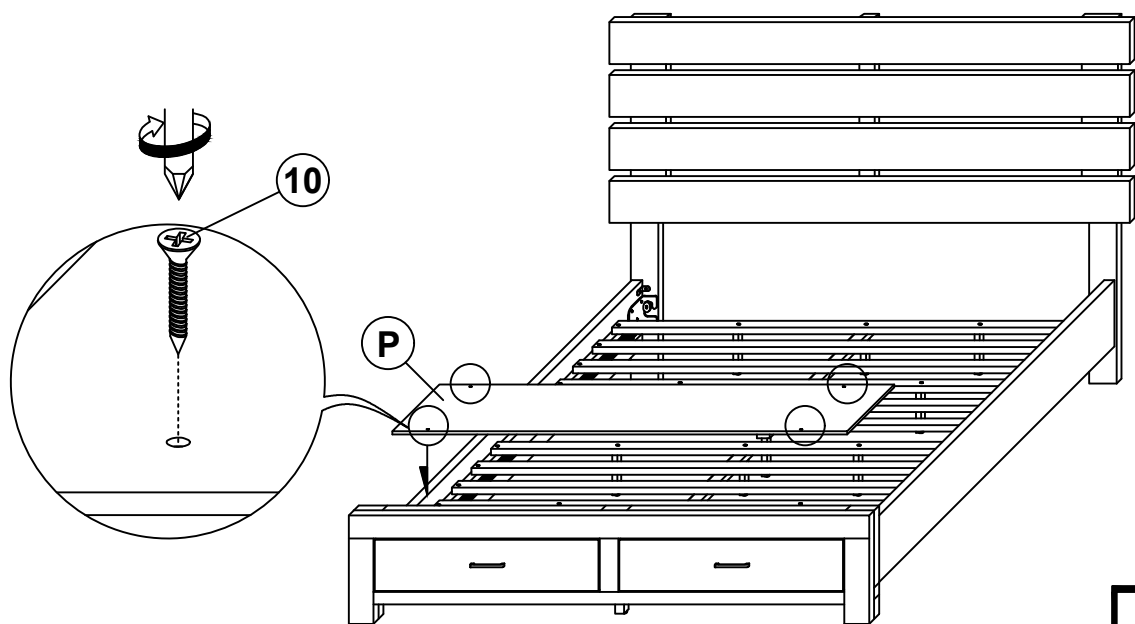
**ASSEMBLY INSTRUCTIONS**

**STEP 13**



**STEP 14**

**COMPLETE**

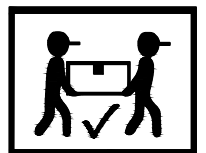
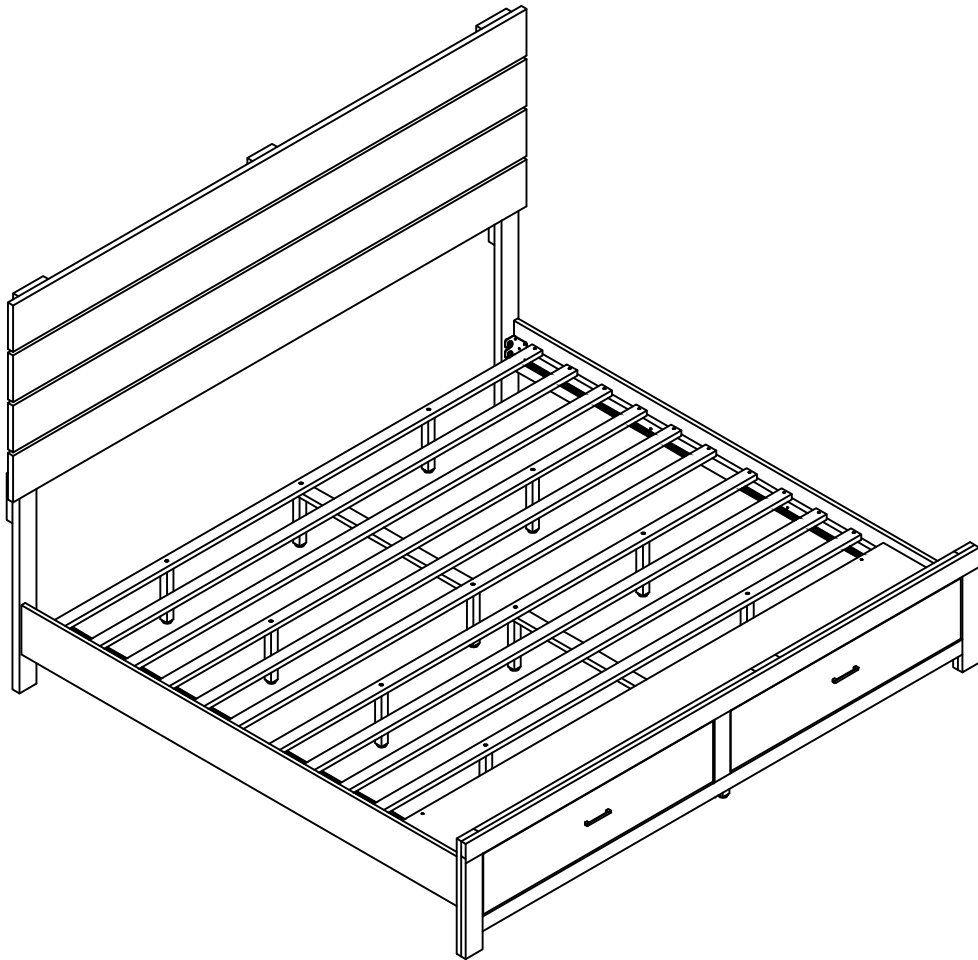


ITEM: **(B1&B2)**

**ASSEMBLY INSTRUCTIONS**

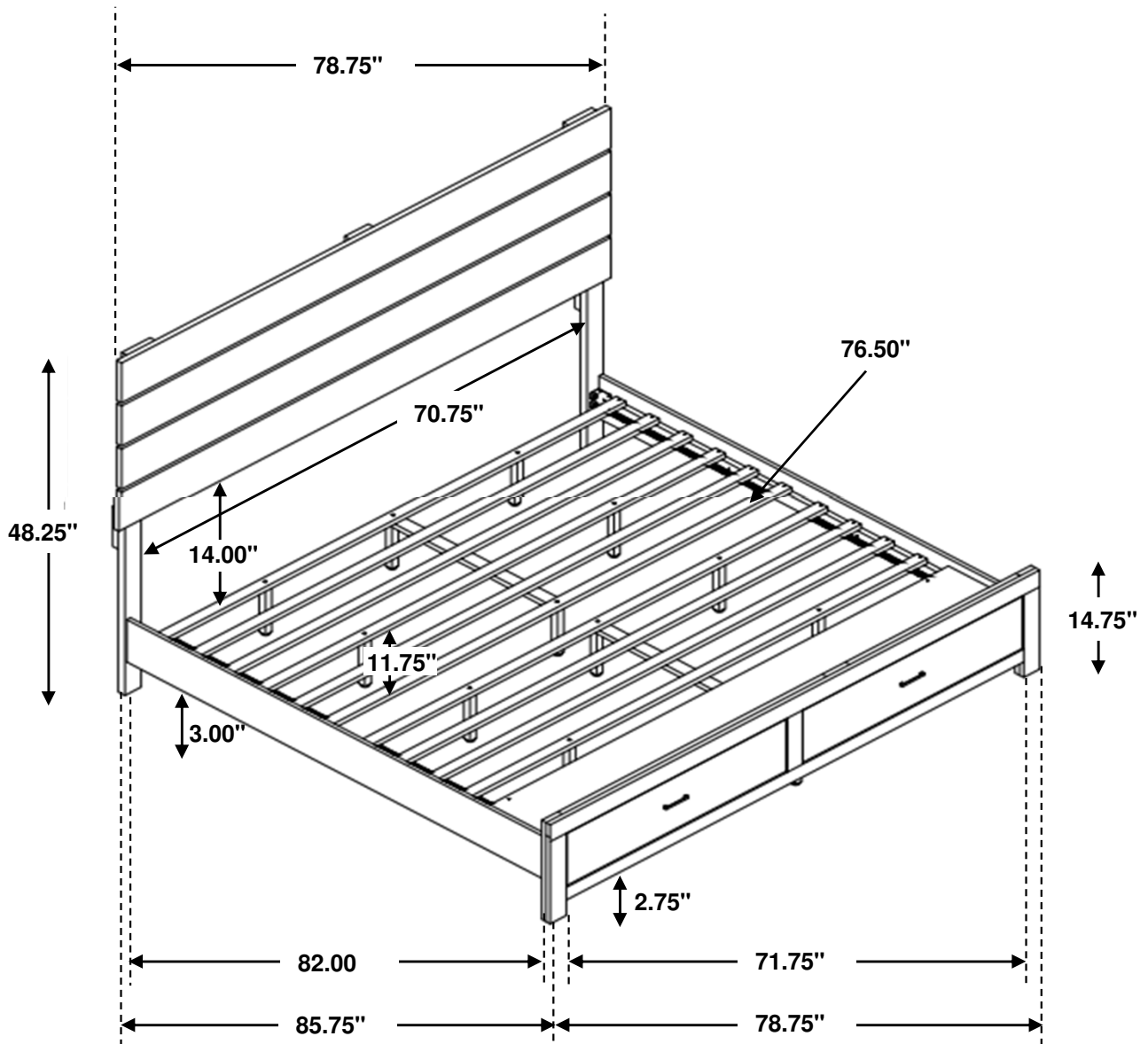
**STEP 15**

**COMPLETE**



ITEM: **(B1&B2)**

Inner Size : 76.50"W X 82.00"D



Note : Dimension tolerance  $\pm 5\%$