


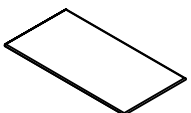
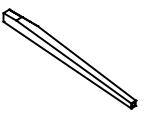


# Assembly Instructions

## Hardware List

1		8PCS 5/16" Washer	2		8PCS 5/16" Spring Washer
3		8PCS 1/4"x1-3/4" Machine Bolts			

## Parts List

A	TABLE DESK TOP	1 PC	B	LEGS	4 PCS
					

**Caution:** Please read instructions thoroughly before unpacking assembly parts. Sharp, exposed staple tips can cause injury, therefore, for your protection, please remove any exposed staples used in packing. Please keep all hardware parts out of the reach of children.

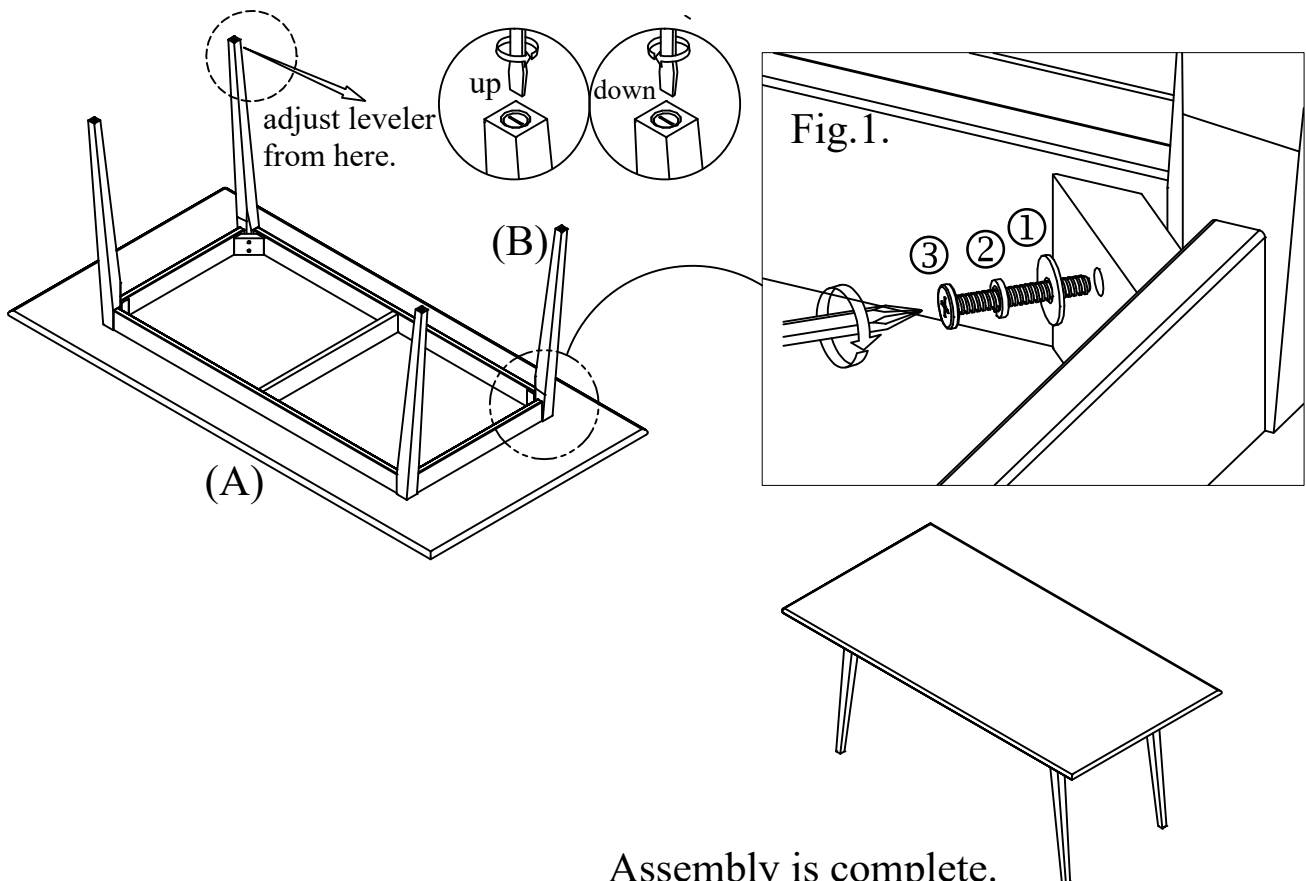
1. We recommend that you should assemble this product with the assistance of another person; this will make assembly easier, and will help to eliminate damage to the product or injury to persons during assembly.
2. Be sure to check all packing materials carefully for small parts that may have come loose inside the carton during shipment.
3. Please do not over tighten screws or bolts.

**Reminder**

1. Use only the hardware supplied.
2. Do not over-tighten the bolts.
3. This item may require periodic tightening.
4. Phillips screwdriver not included.

**Step 1.** Turn the Table Desk Top (A) upside down on a protective surface such as carpet or other soft material. Attach legs (B) to Table Top (A) using Flat Washer (1), Spring Washer (2), and Machine Bolt (3) as shown on Fig. 1 .

**Step 2.** Turn the fully assembled desk table to upright position.



Assembly is complete.