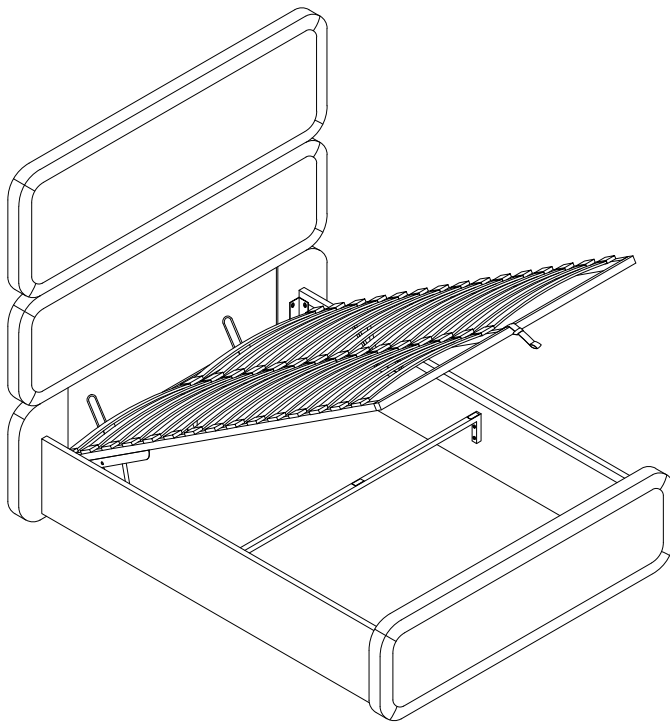


ASSEMBLY INSTRUCTION

ITEM NUMBER: BH019

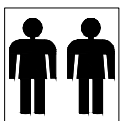
SIZE: Full/Queen



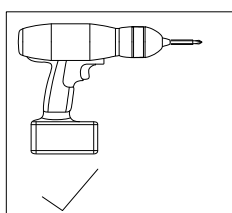
Please TEAR OFF this shrink film from side!
DO NOT USE CUTTER!

IMPORTANT NOTE

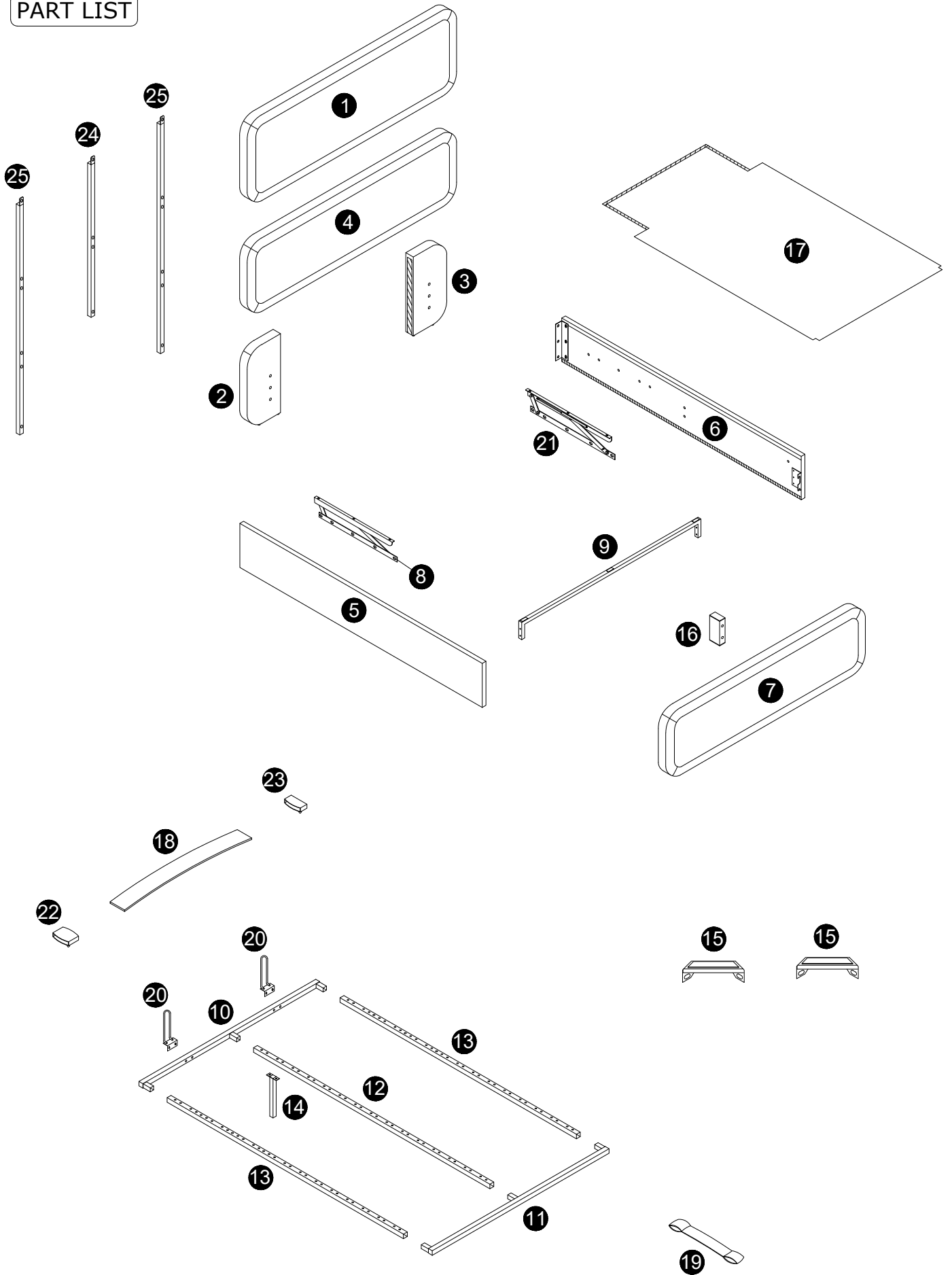
1. The product is shipped in two packages. Please check the number of packages received before assembly. If you are missing one package, receive a duplicate package, or have any assembly or after-sales issues, please contact support@velocavabed.com
2. For the protection of your furniture, place all parts on a clean and smooth surface to prevent any damage.
3. Keep fittings out of children's reach and keep children well away from construction area.
4. When moving your assembled bed, it is best to lift the bed and never to drag it.
5. Do not use this product if parts are missing, damaged or worn.
6. This product should only be used on firm, level ground.
7. Please periodically check all fittings and re-tighten as necessary.
8. Do not use the bed unless all bolts and screws are firmly secured.
9. For further assistance, please provide a screenshot of your order and contact us via email at support@velocavabed.com



Minimum two
person assembly

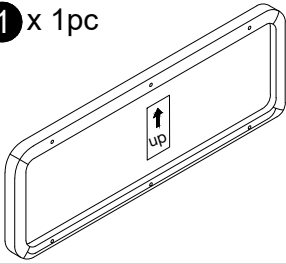


PART LIST

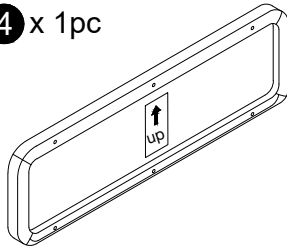


Components of Carton A

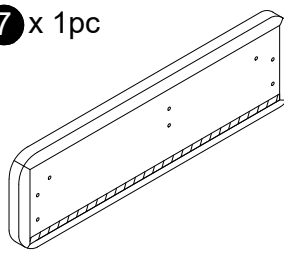
1 x 1pc



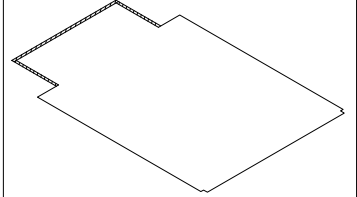
4 x 1pc



7 x 1pc

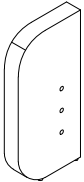


17 x 1pc

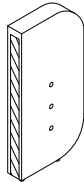


Components of Carton B

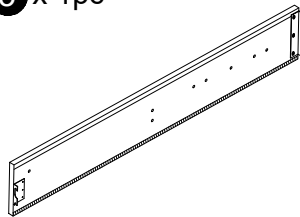
2 x 1pc



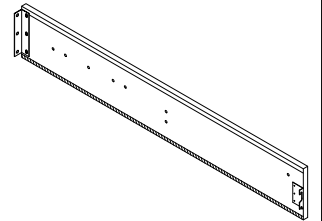
3 x 1pc



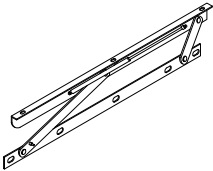
5 x 1pc



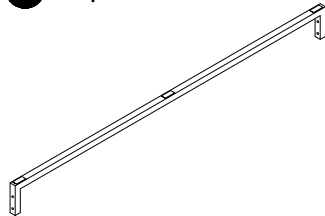
6 x 1pc



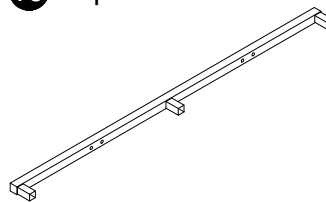
8 x 1pc



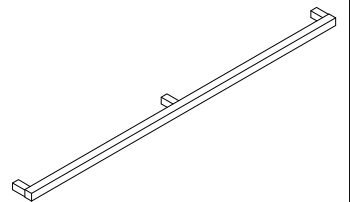
9 x 1pc



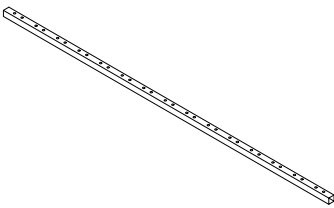
10 x 1pc



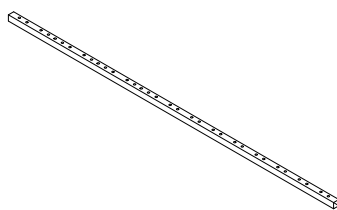
11 x 1pc



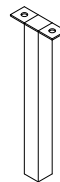
12 x 1pc



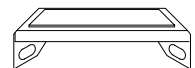
13 x 2pcs



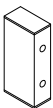
14 x 1pc



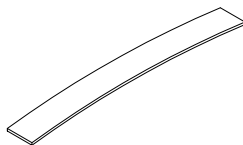
15 x 2pcs



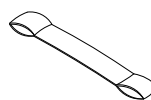
16 x 1pc



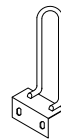
18 Full Size x 28pcs
Queen Size x 30pcs



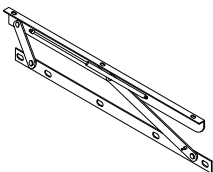
19 x 1pc



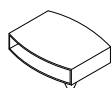
20 x 2pcs



21 x 1pc



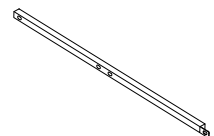
22 Full Size x 14pcs
Queen Size x 15pcs



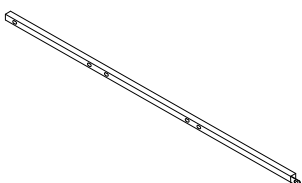
23 Full Size x 28pcs
Queen Size x 30pcs



24 x 1pc












25 x 2pcs



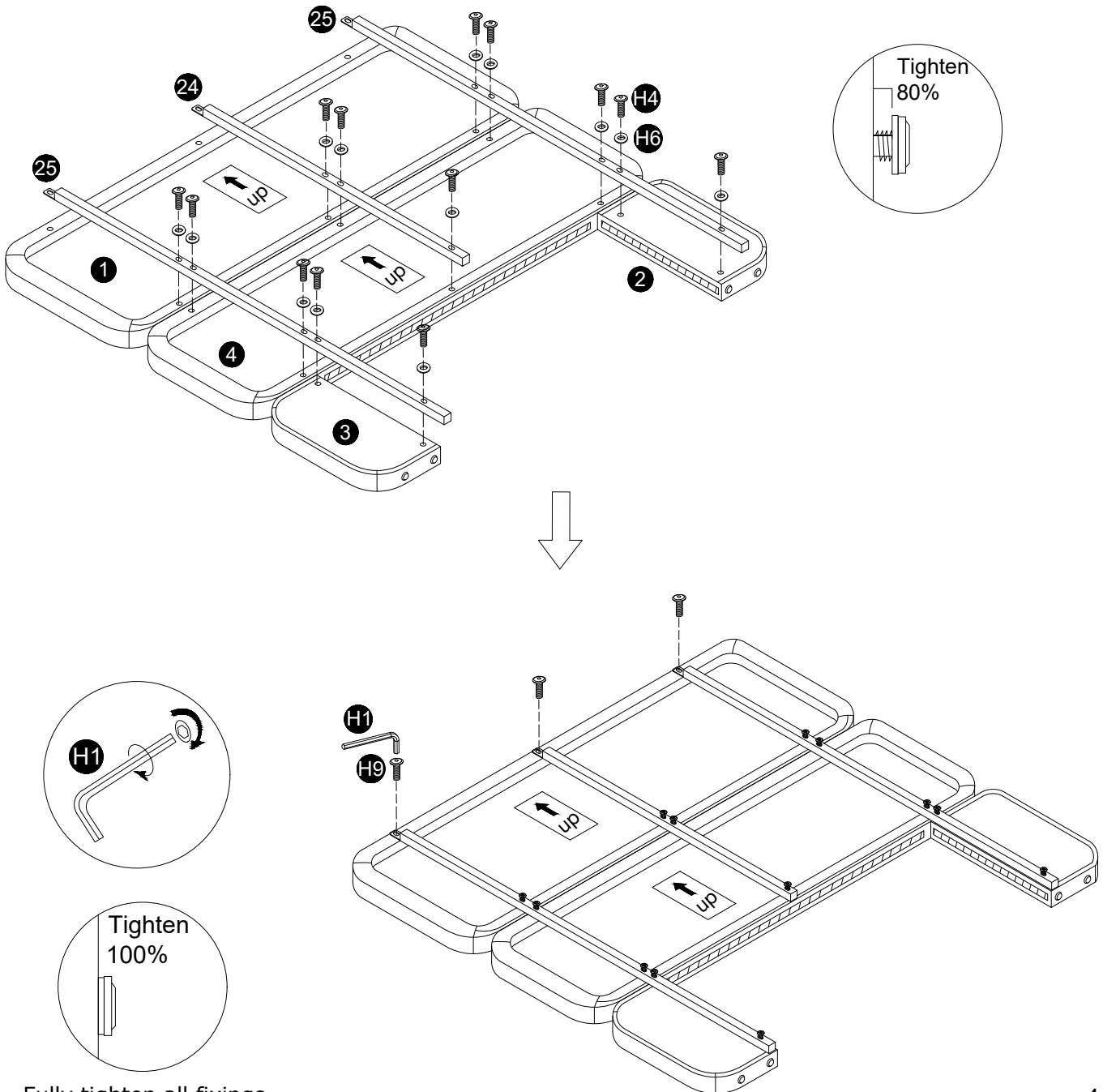
Please ensure to thoroughly inspect the small inner cardboard box containing the hardware, which are tied with a red string, before disposing of the box.

HARDWARE LIST

Components of Carton B

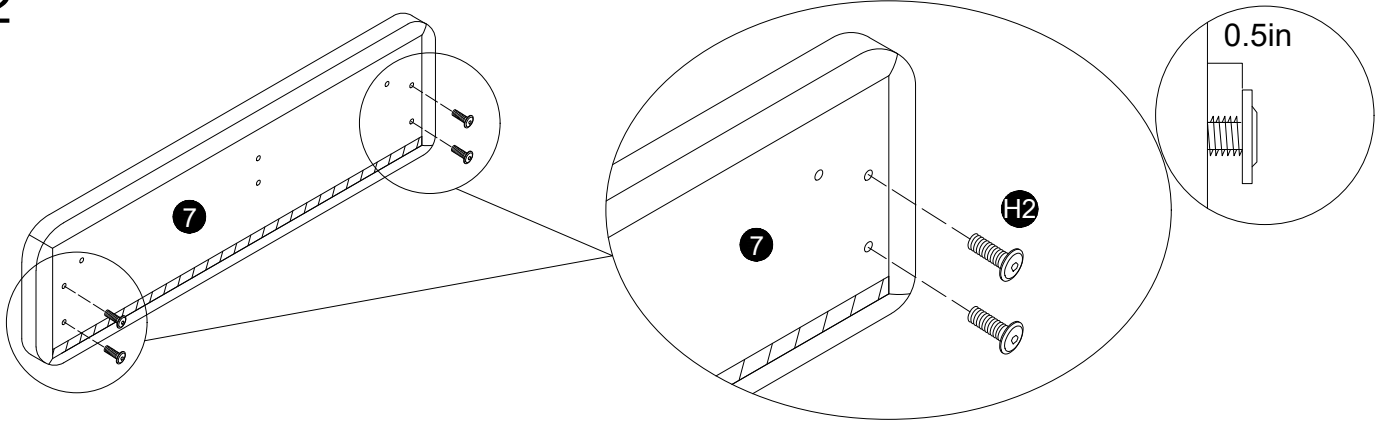
 H1 M5 x 1pc	 H2 M8x25mm x 36pcs	 H3 M8x50mm x 10pcs	 H4 M8x60mm x 15cs
 H5 M8 x 6pcs	 H6 M8x22mm x 19pcs	 H7 M8 x 6pcs	 H8 M14 x 1pc
			 H9 M8x30mm x 9pcs

1 As shown in the diagram, align the screws with the corresponding holes and pre-fix them. Then, tighten each screw separately.

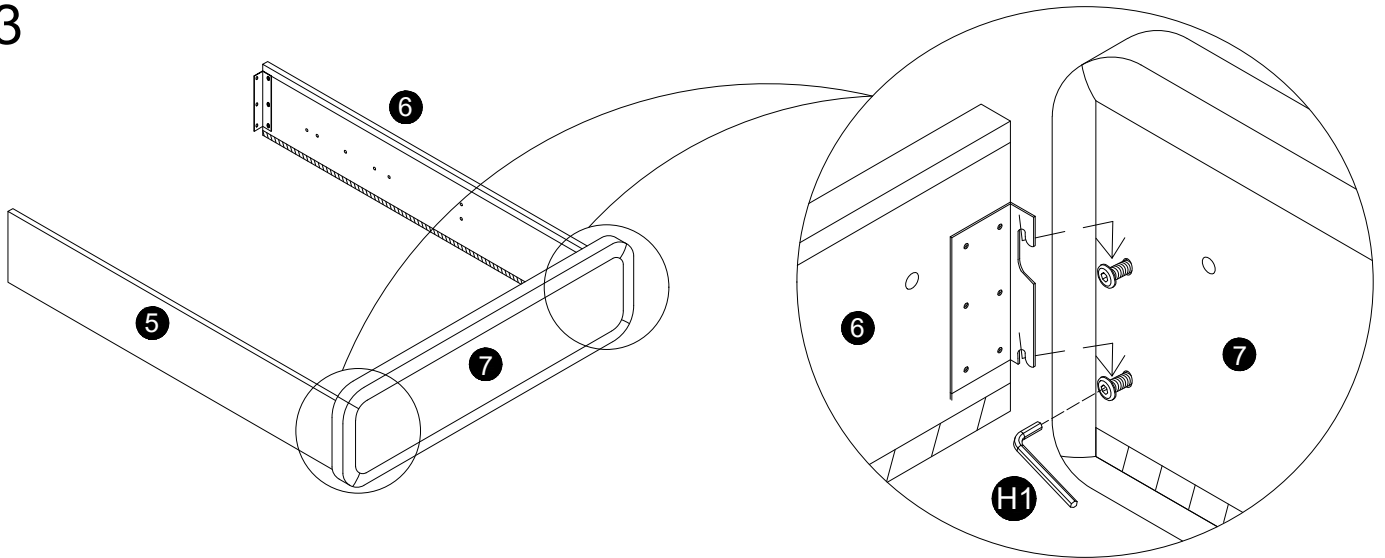


Fully tighten all fixings

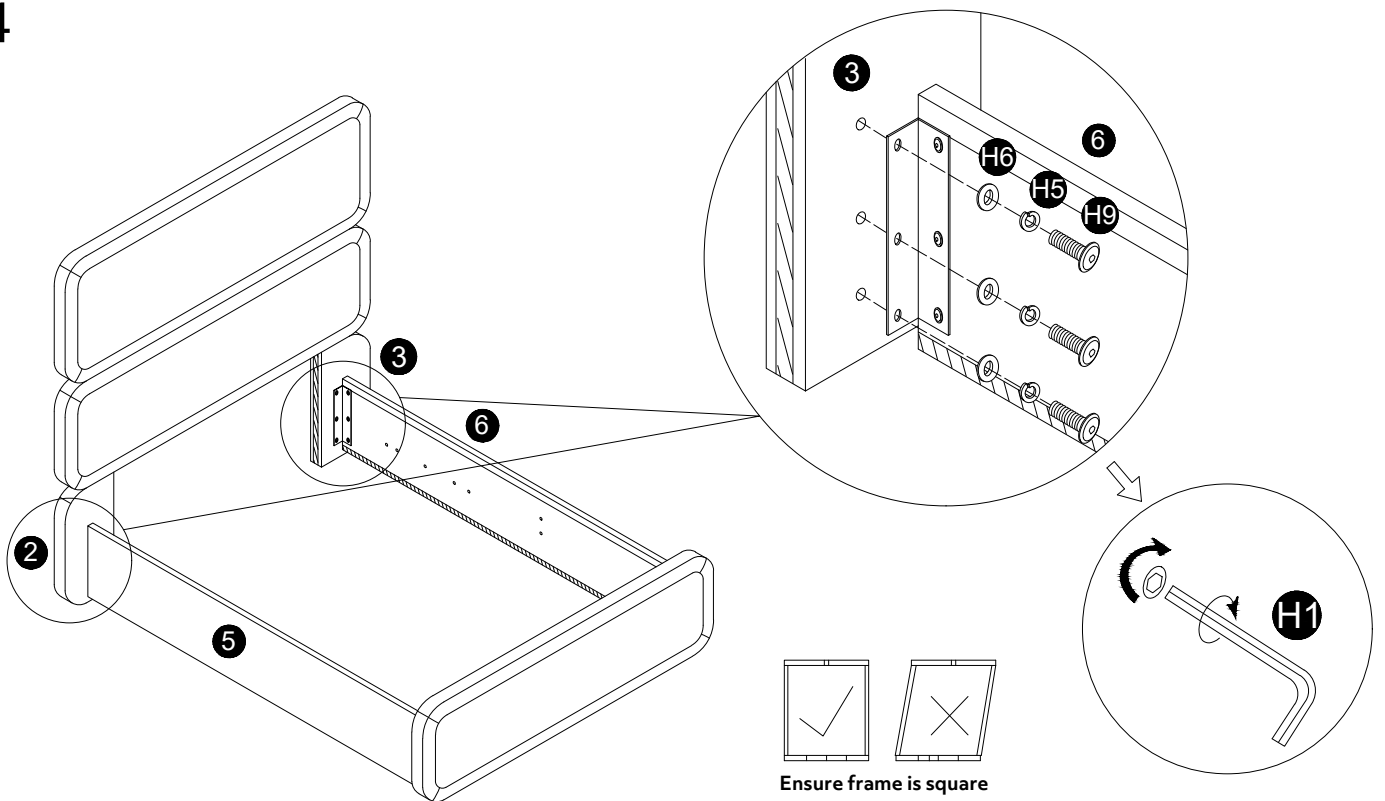
2



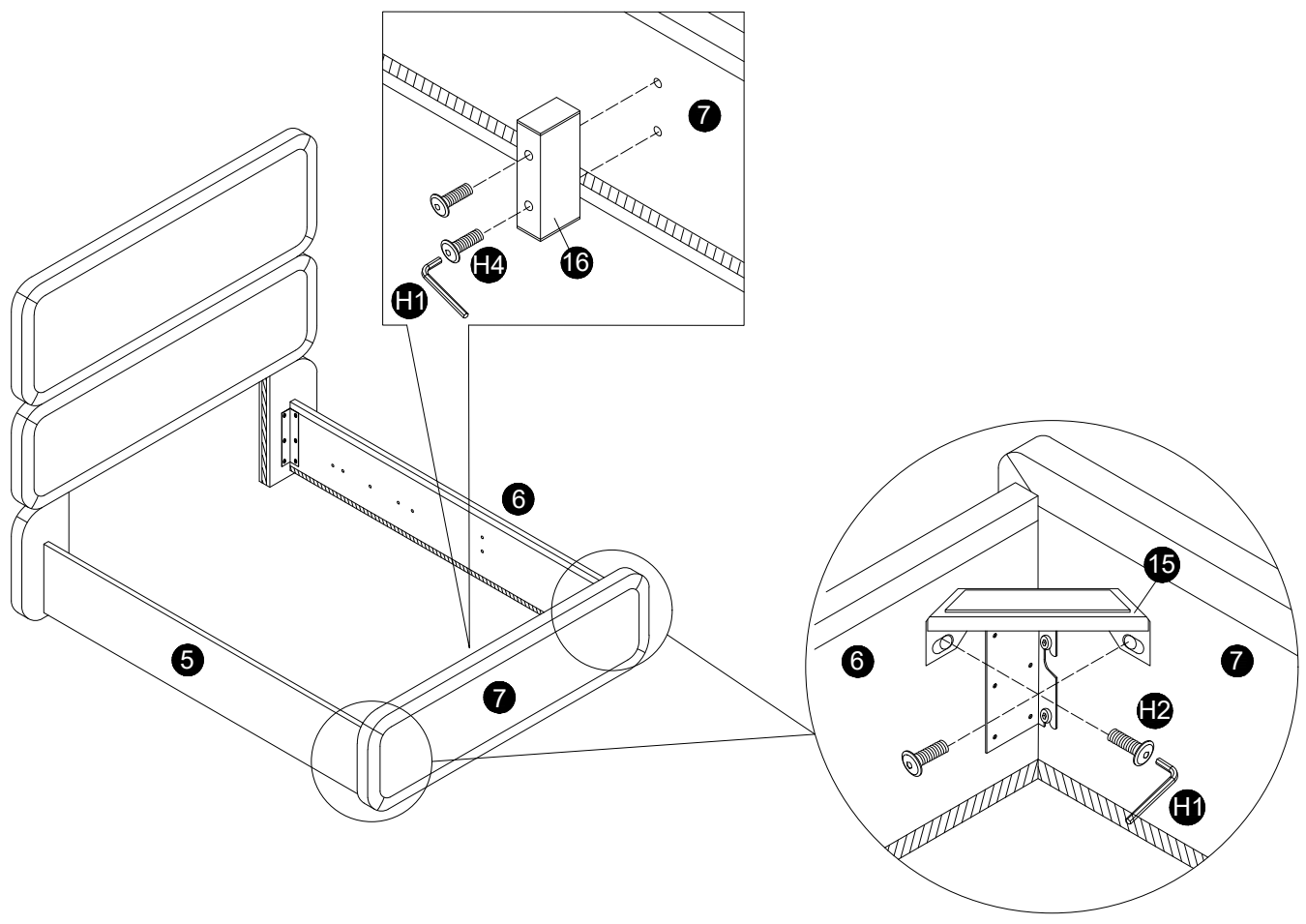
3



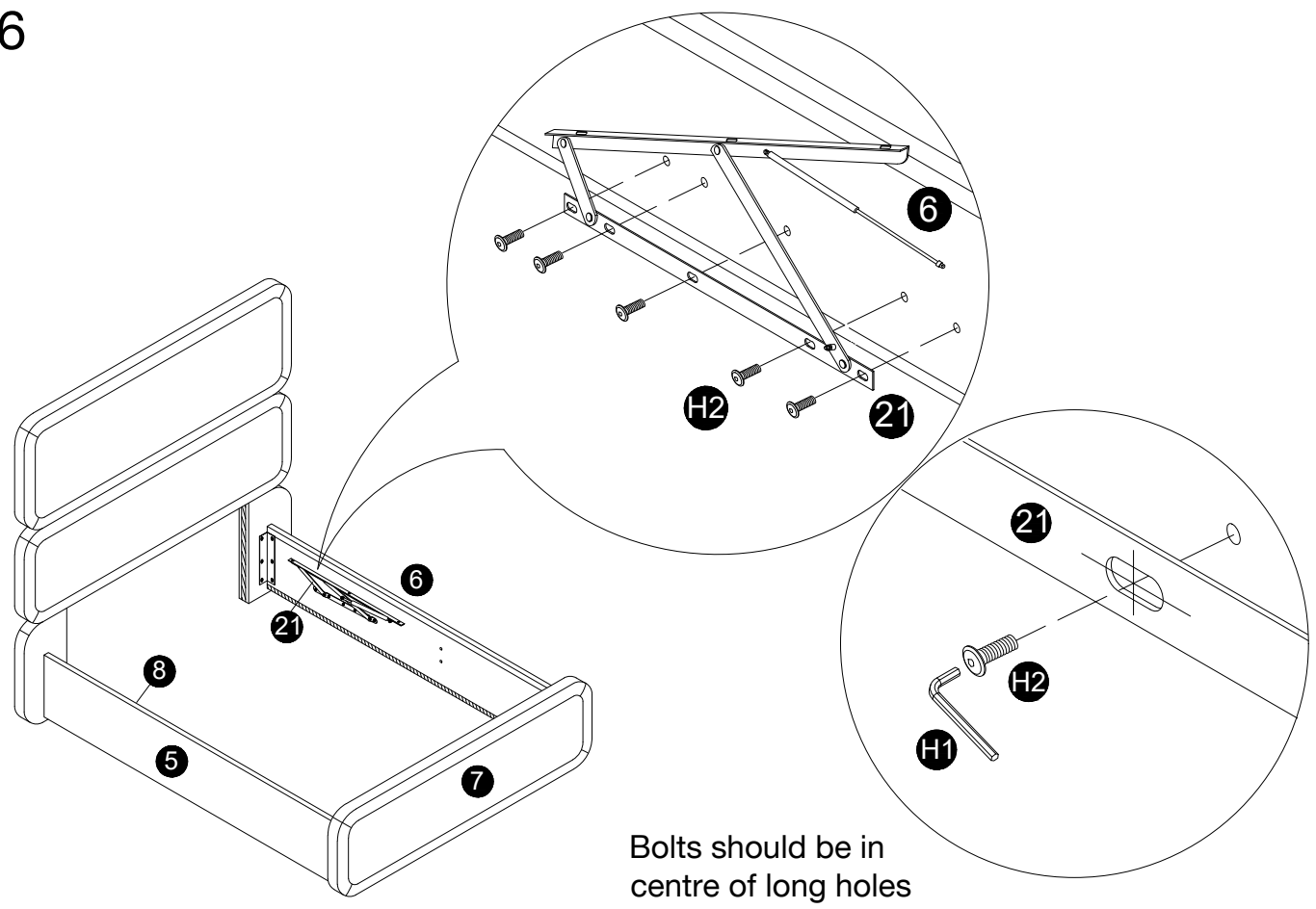
4



5

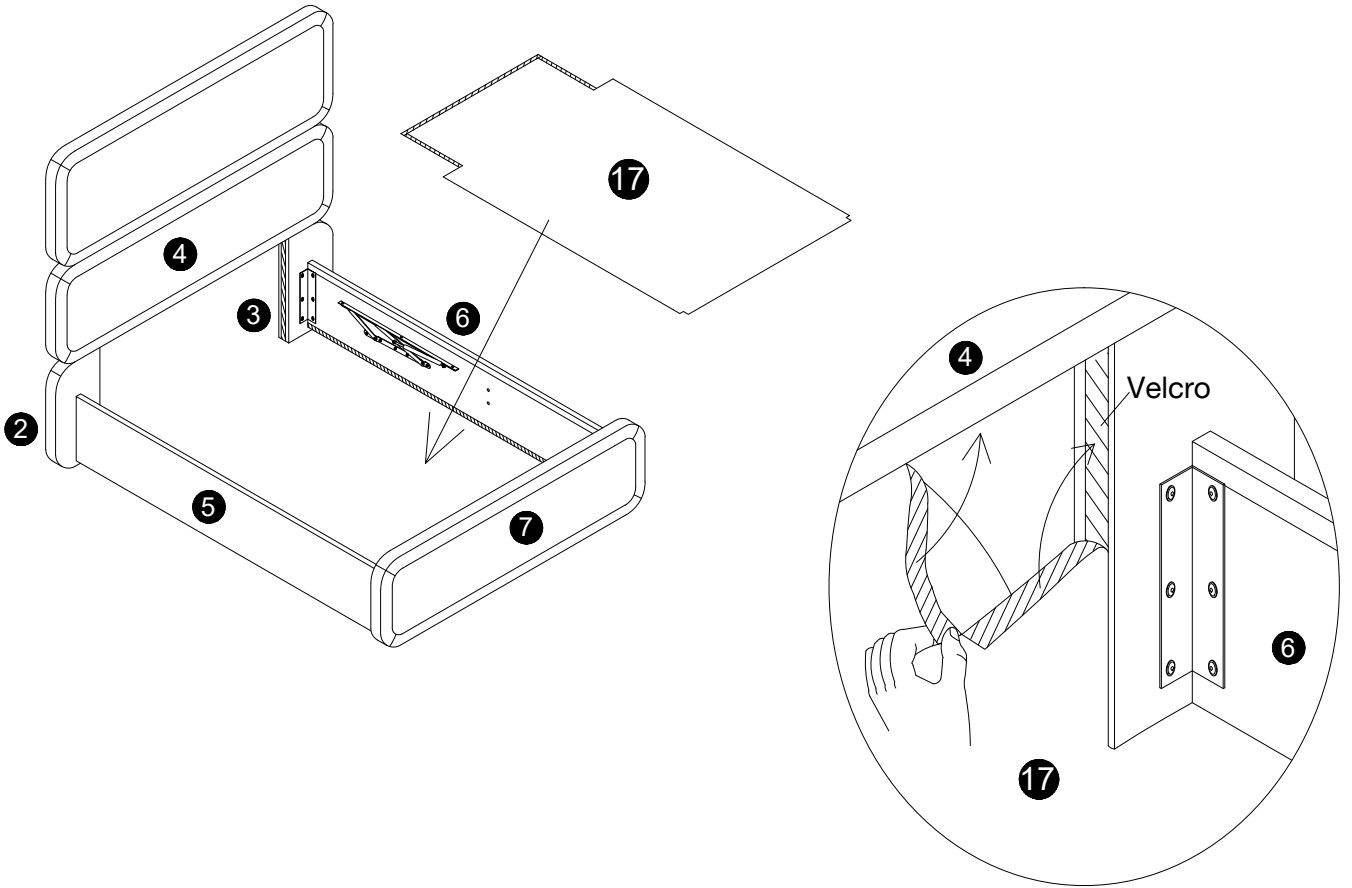


6

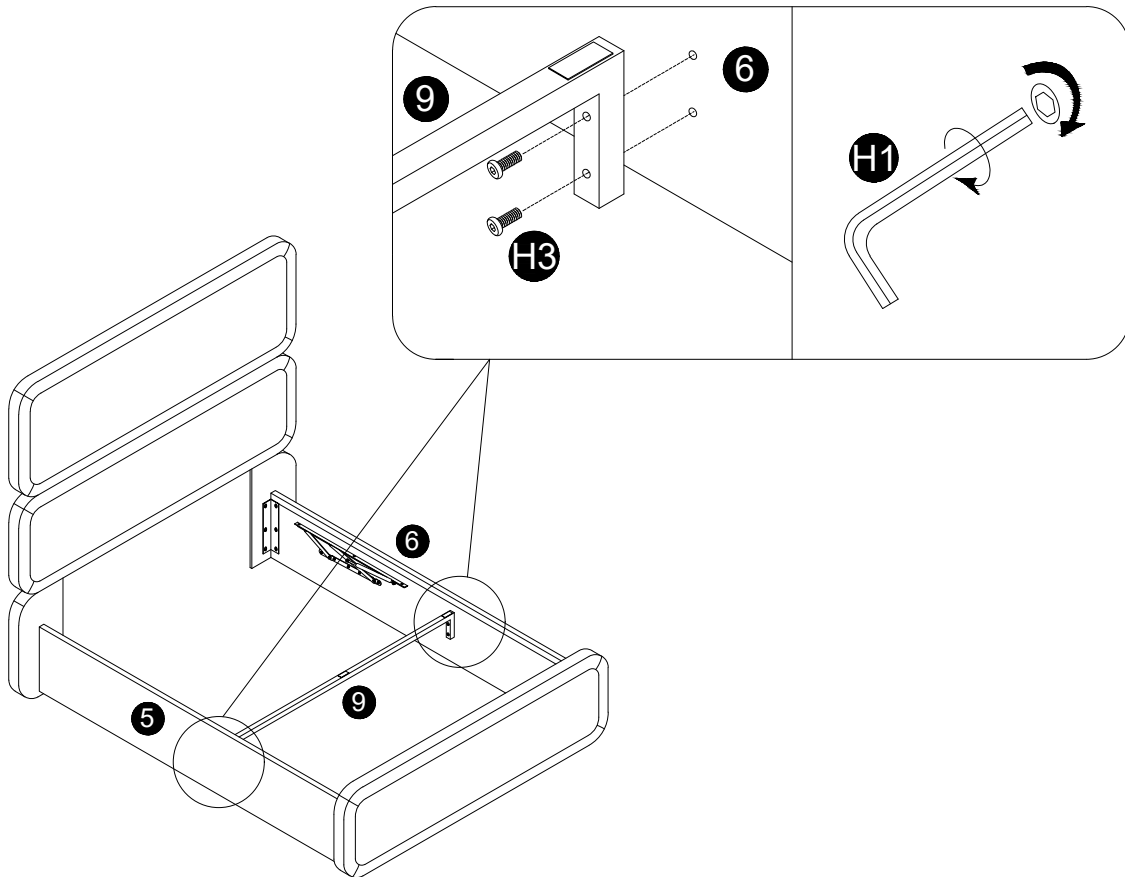


Bolts should be in centre of long holes

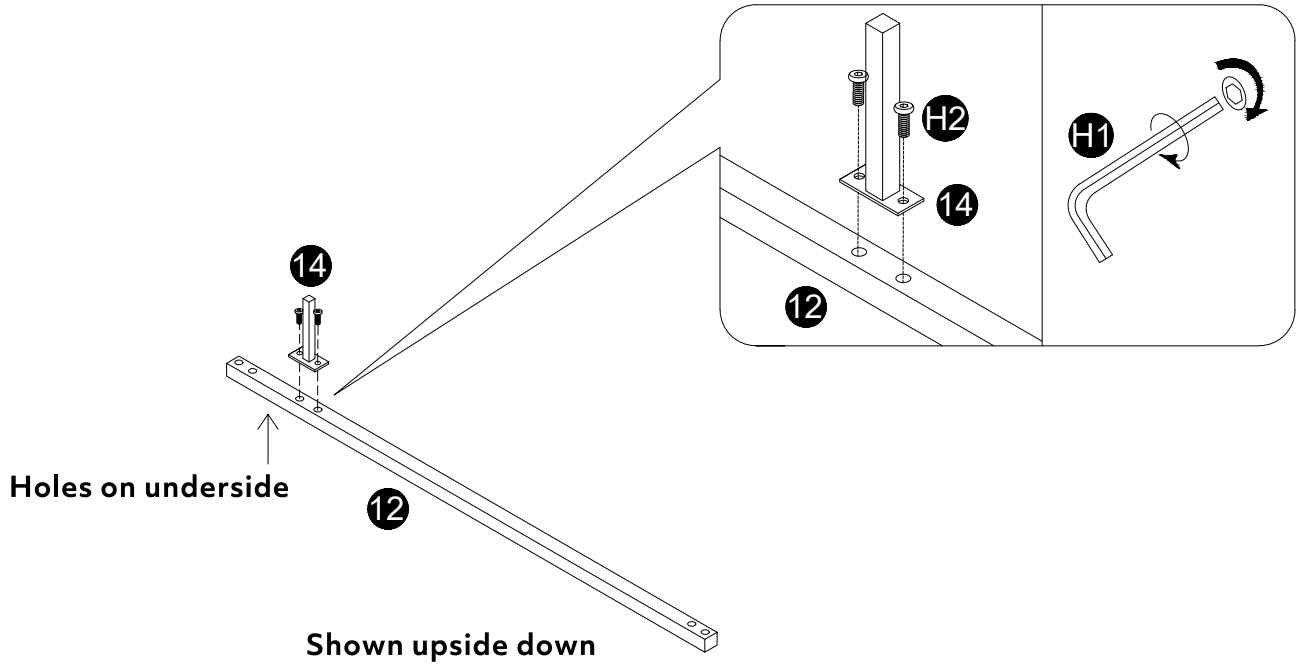
7



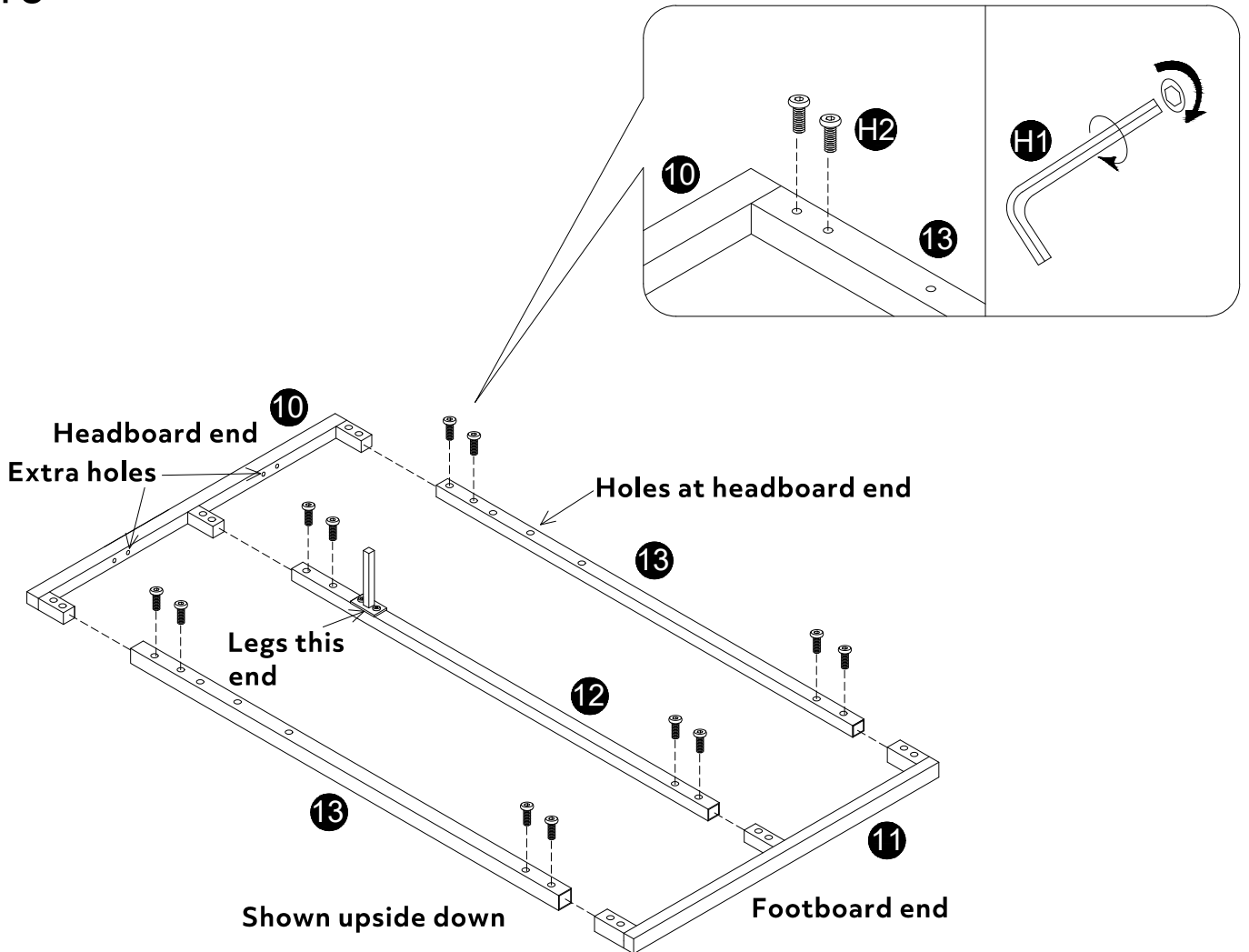
8



9

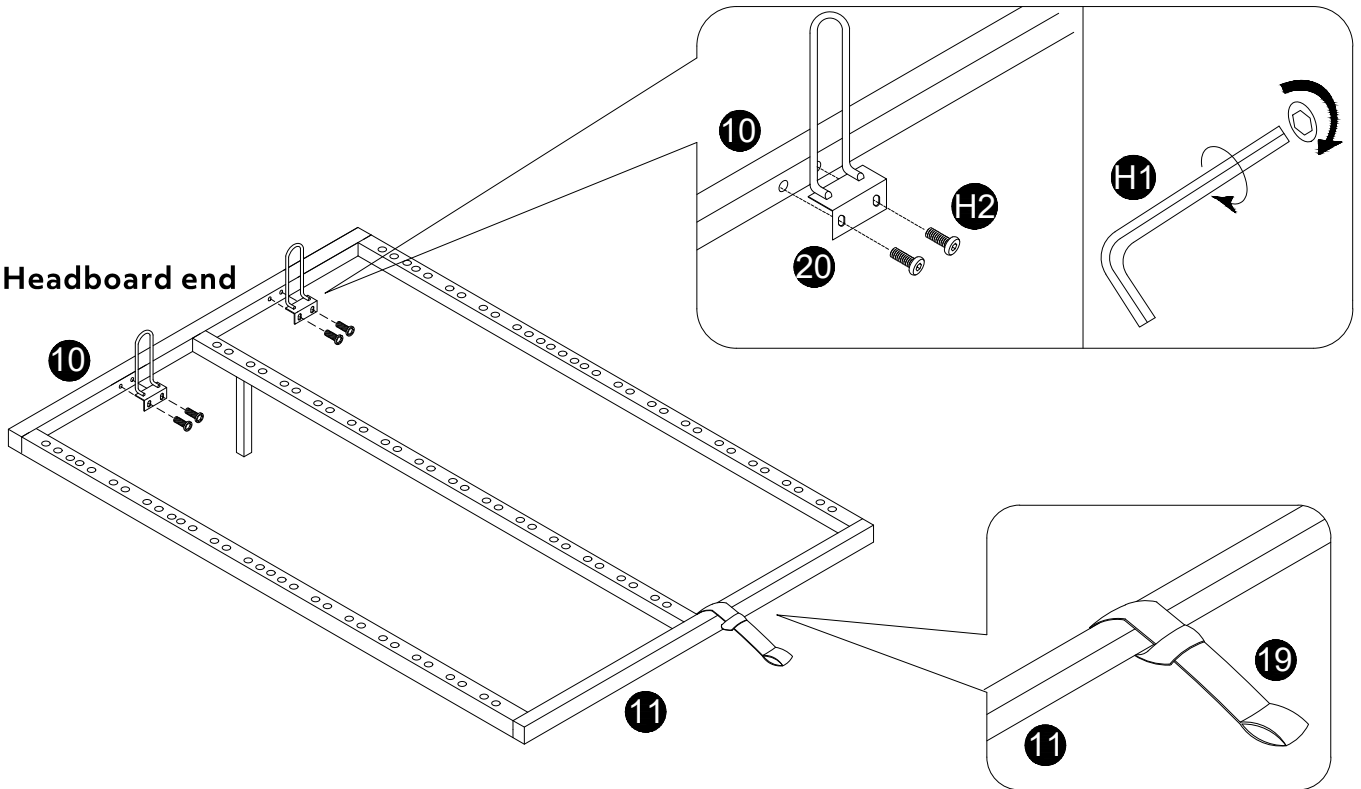


10

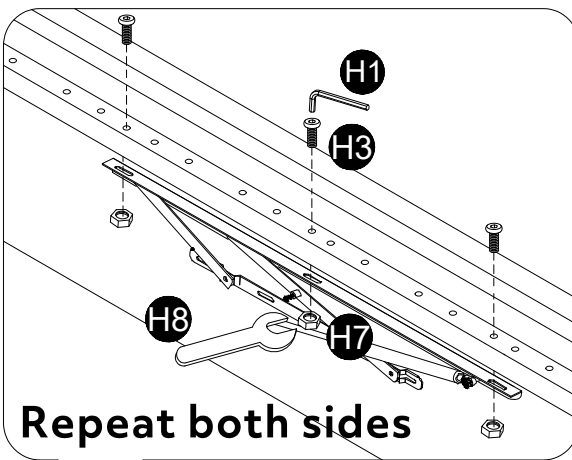


11

Headboard end

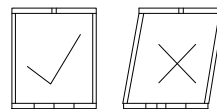
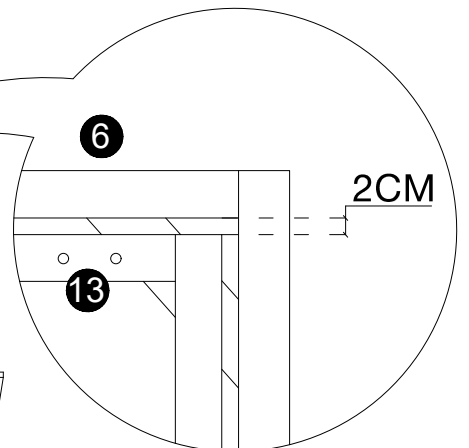
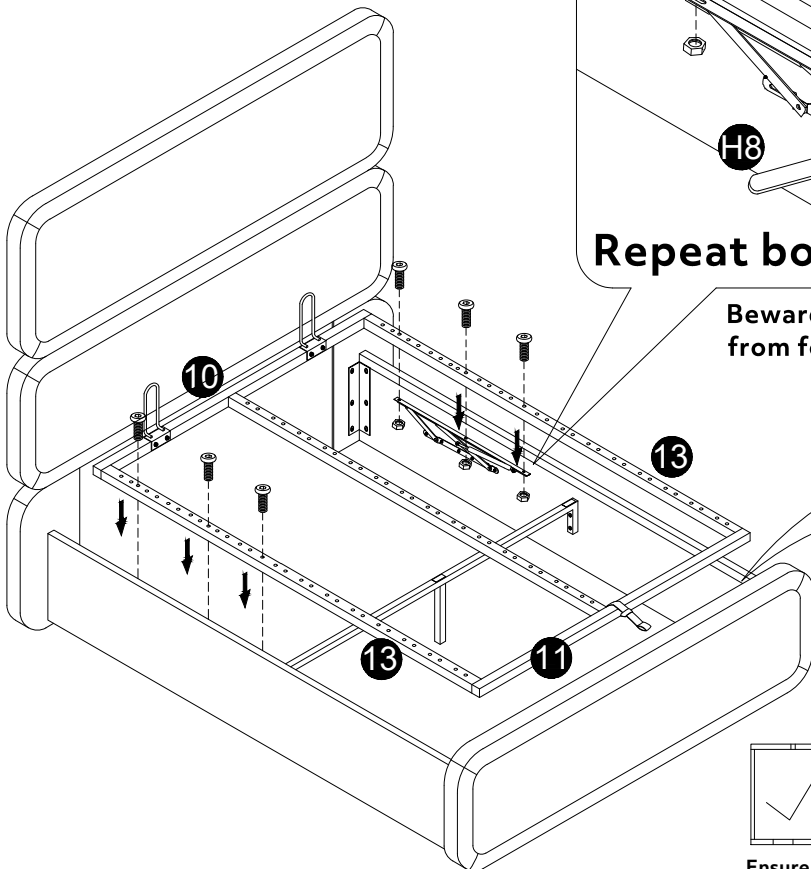


12



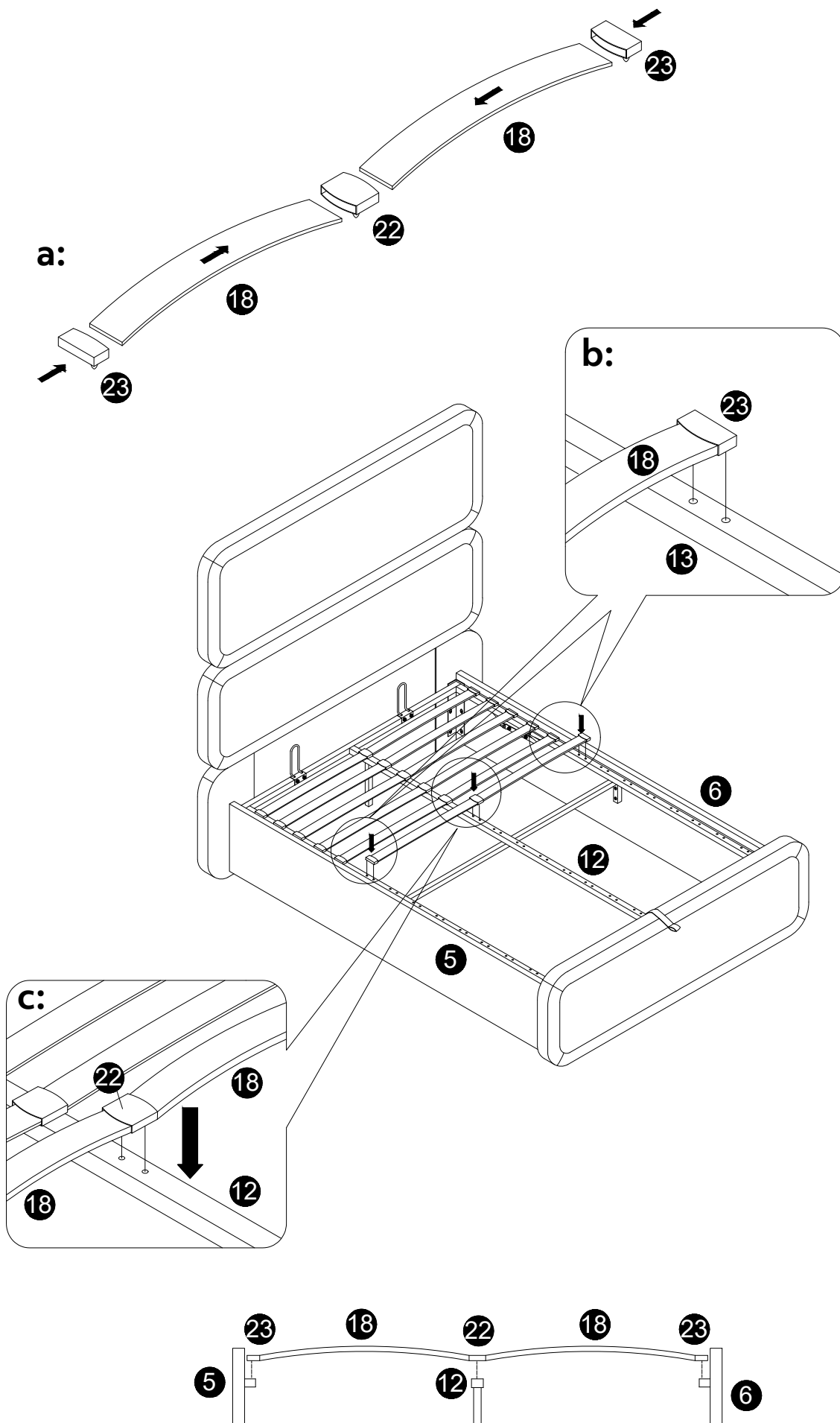
Repeat both sides

Beware of risk of entrapment from folding hinges!



Ensure frame is square

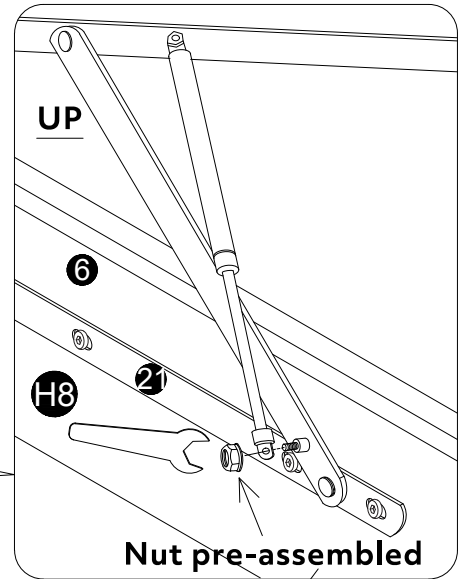
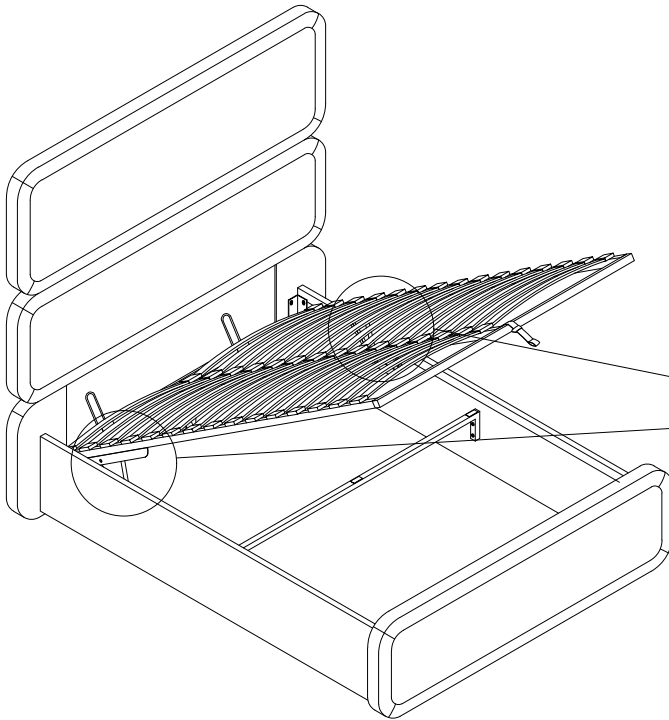
13



Slats to arch upwards

14

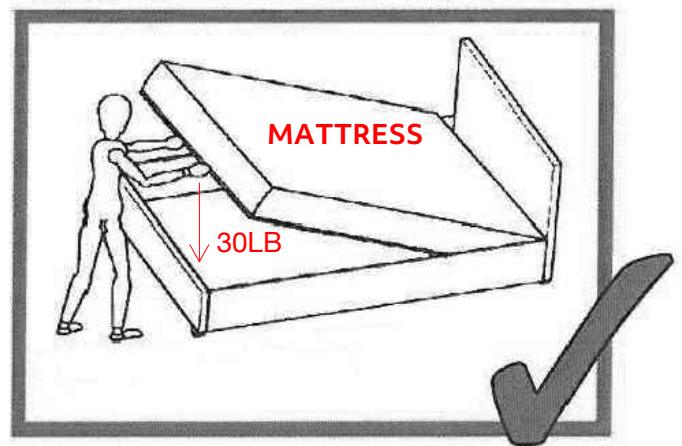
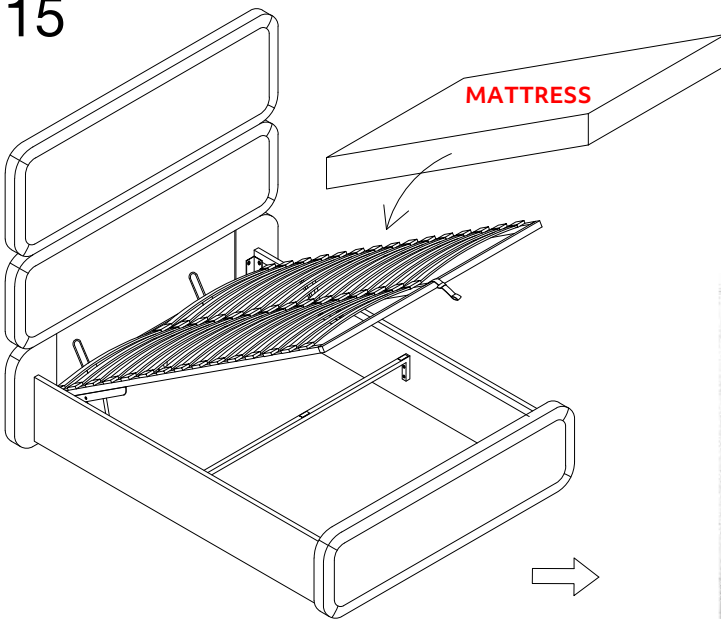
**Warning: Two people required.
Frame to be fully supported at all times!**



Repeat both sides

Important: Before proceeding, check and ensure all screws and fixings are fully tightened.

15



 **Place the mattress on frame & Carefully lower the frame down.
Keep objects/body part & children away from moving parts.**

Job Complete !

In the interest of our environment please dispose of all packaging thoughtfully.