

# INSTRUCTIONS MANUAL



## PATIO SWIVEL CHAIR

---

**Loosely assemble before tightening.**

IF YOU PURCHASED THE PRODUCT ONLINE AND HAVE  
ANY QUESTIONS OR CONCERNS  
PLEASE CONTACT US

---

# Warning:

## 1. Very important!

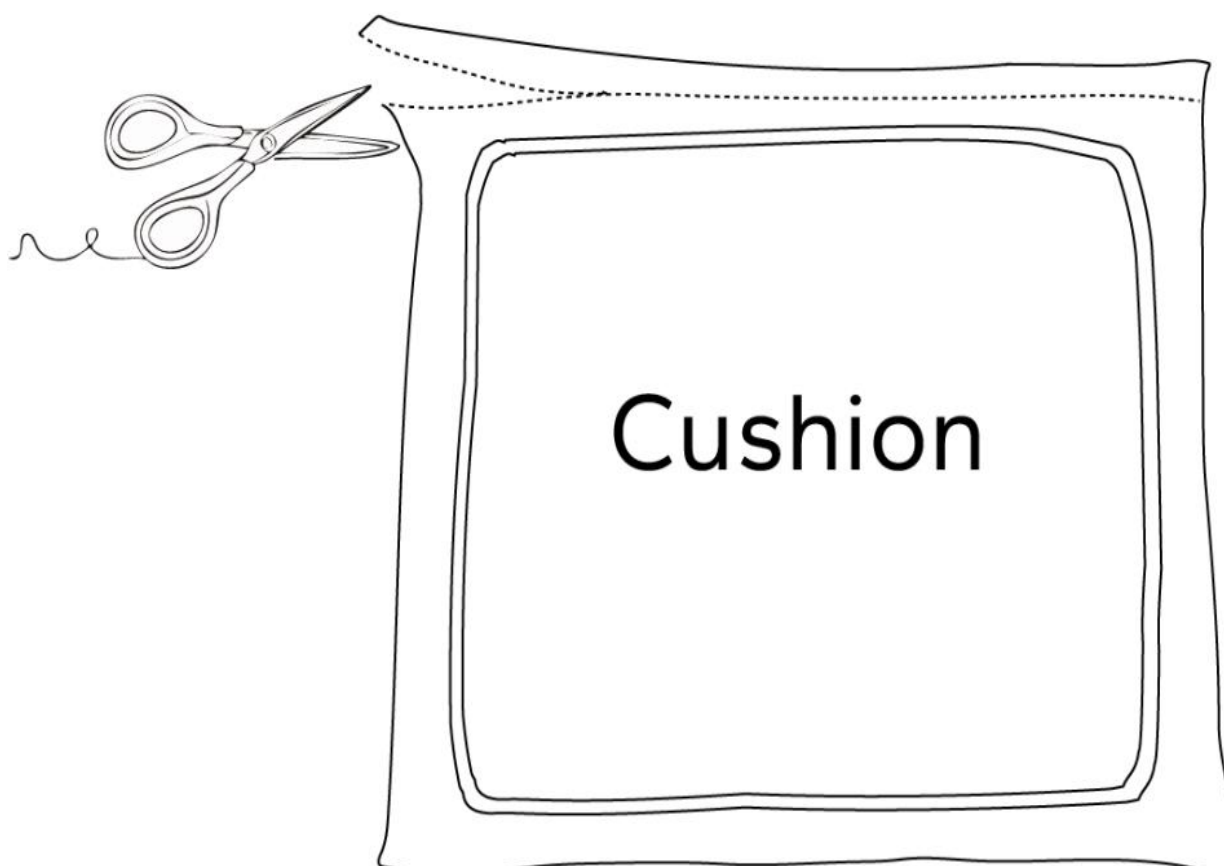
After receiving the product, please check if all parts are intact.

Do not open the vacuum-sealed packaging of the mat immediately.

Only proceed with opening the packaging if you are satisfied with the product.

2. When unpacking the box, please use tools carefully to avoid scratching the mat.

**Note: Since the mat is vacuum-packed, if you are not satisfied with the product after opening, it may affect the after-sales process.**



## Warning and Cautions:

Thank you for choosing our furniture. Please read and understand this entire manual before attempting to assemble or install the product.

### GENERAL BEST PRACTICES FOR ASSEMBLY

1. Familiarize yourself with the product and check all parts against the packing list. If any Parts are missing or damaged, do not install. Contact us immediately.
2. Some parts may contain sharp edges. Wear protective gloves, if necessary, during assembly.
3. Check all nuts and bolts periodically for tightness and, when required, tighten them again.
4. Pay attention to the parts orientation.
5. Save all packing materials until assembly is complete to avoid accidentally discarding smaller parts or hardware.

### IMPORTANT

- Make sure to place the washer on the bolt before inserting it into the bolt hole.
- To ensure the best fit, assemble loosely before tightening.
- Tighten all bolts after all parts are assembled.

### WARNINGS

 **Keep children and pets away from the working area during assembly and adjustments.**

1. Keep the assembly area at least 6 feet from any obstruction, such as a fence, garage, house, overhanging branches, laundry lines, or electrical wires.
2. When assembling and using this product, always follow basic safety precautions to reduce the risk of personal injury and product damage. Please read all instructions before assembly and use.
3. Check all bolts for tightness before use. **IMPORTANT** - check and tighten bolts often to keep them secure!
4. The chair is not to be used for standing purposes and will not function as a stool or step-ladder. Use on even surfaces only.
5. The chair supports a weight of 350lb (159 kg). Improper use of this product or failure to use it as directed may result in injury. Not intended for commercial use.

## WARRANTY

### •WHAT IS COVERED?

- The limited warranty is extended to the original purchaser and covers material and manufacturing defect, provided the item is properly maintained and used for personal residential purposes only.
- Warranty: 180 DAYS.
- Lost Accessories or Parts Policy: Costs for lost accessories or parts will be charged after 90 days from the date of purchase.

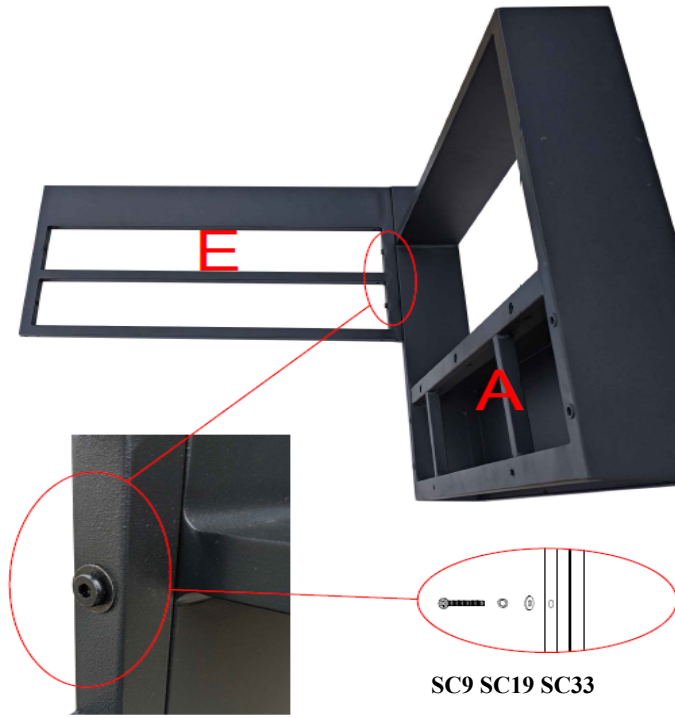
## MAINTENANCE




- STAIN RESISTANT CUSHIONS CARE:** Keep cushions in storage on rainy days.
- SPILLS:** Immediately wipe up spills using a white damp cloth. Repeat if necessary until the stain is gone. Allow cushions to air dry.
- **FABRIC CARE:** Hand wash with cold water, non-chlorine bleach when needed, and lay flat to dry. Cool iron if necessary. Do not dry clean.
- **RESIN WICKER PRODUCT CARE:**
  1. General Cleaning: Before use, clean the product with a soft, dry towel. When not in use, wipe off any dirt or loose debris. For regular cleaning, use a mild soap and water solution, rinse thoroughly, and dry completely.
  2. Weather Protection: To prolong the life of your resin wicker, avoid prolonged exposure to intense sunlight or heavy rain. Whenever possible, use a protective cover when the furniture is not in use, especially during extreme weather conditions.
  3. Avoid Harsh Cleaners: Do not use strong detergents or abrasive cleaners, as these may damage the finish.
- Regular Maintenance:** Over time, nuts and bolts may loosen. Occasionally check and re-tighten them on all products as needed.

### Assembly Instructions for 1PC Swivel Glider

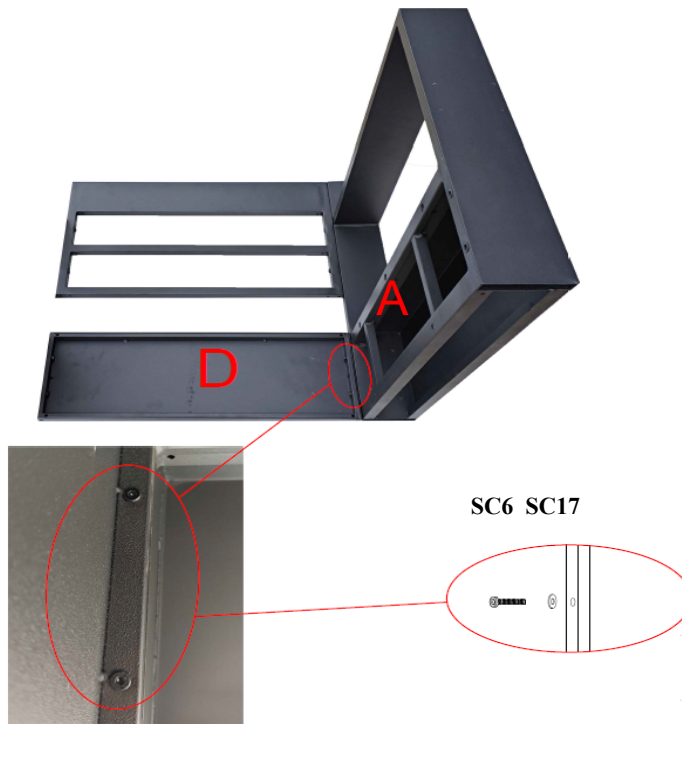
<b>A</b>	<b>B</b>	<b>C</b>	<b>D</b>
			
<small>IPC Left Sofa Arm</small>	<small>IPC Right Sofa Arm</small>	<small>IPC Seat Panel</small>	<small>2PCS Sofa Side Panel</small>
<b>E</b>	<b>F</b>	<b>G</b>	<b>H</b>
			
<small>IPC Sofa Back</small>	<small>IPC Base</small>	<small>IPC Connecting Rod-Down</small>	<small>IPC Connecting Rod-Up</small>
<b>I</b>	<b>J</b>	<b>K</b>	<b>L</b>
			
<small>IPC U-shaped Fitting</small>	<small>IPC Swivel Plate</small>	<small>4PCS Swing Arm</small>	<small>1PC Seat Cushion</small>
<b>M</b>	<b>SC4</b>	<b>SC6</b>	<b>SC8</b>
			
<small>IPC Back Cushion</small>	<small>M6*20mm 4PCS Bolts</small>	<small>M6*30mm 8PCS Bolts</small>	<small>M6*35mm 8PCS Bolts</small>
<b>SC31</b>	<b>SC9</b>	<b>SC17</b>	<b>SC33</b>
			
<small>M6*45mm 8PCS Bolts</small>	<small>M6*40mm 10PCS Bolts</small>	<small>Ø16*Ø6.5*1mm 42PCS Washer</small>	<small>Ø18*Ø6.5*1mm 4PCS Washer</small>
<b>SC19</b>	<b>SC20</b>	<b>SC30</b>	<b>SC1</b>
			
<small>20PCS Spring Washer</small>	<small>16PCS M6 Nut</small>	<small>1PC M6 Socket Wrench</small>	<small>1PC Allen Wrench</small>
<b>Tools: SC29</b>			
			

1. Secure the Left Arm (A) to assembled Sofa Back (E) with 2 Bolts (SC9), 2 Washers (SC33) and 2 Spring Washers (SC19), using an Allen Wrench (SC1). **Ensure all bolts are properly loose.**





SC9		M6*40mm	2
SC19		Spring Washer	2
SC33		Ø18*Ø6.5*1mm	2

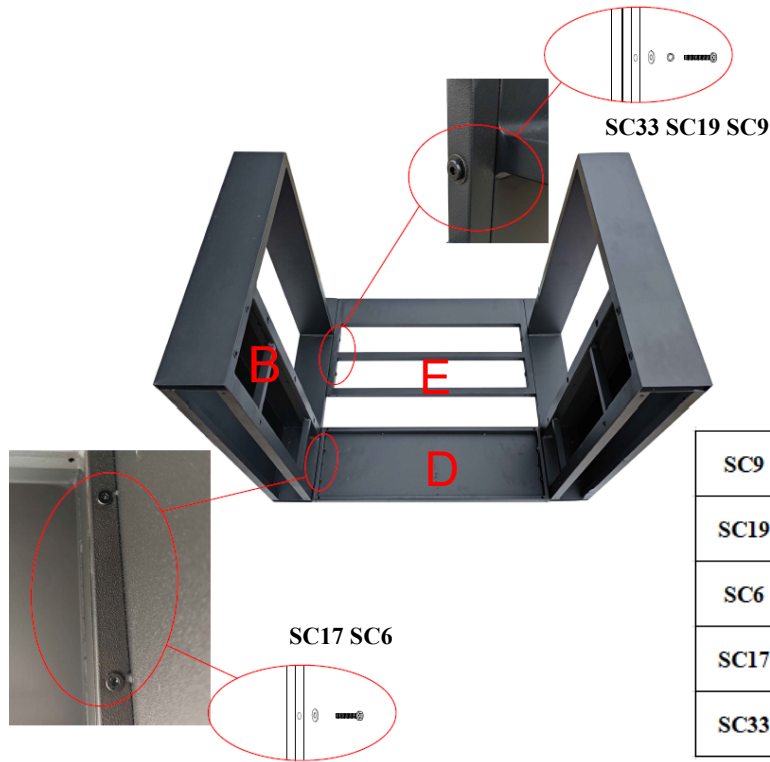
2. Secure the Left Arm (A) to assembled Sofa Side Panel (D) with 2 Bolts (SC6), 2 Washers (SC17), using an Allen Wrench (SC1). **Ensure all bolts are properly loose.**








SC6 SC17

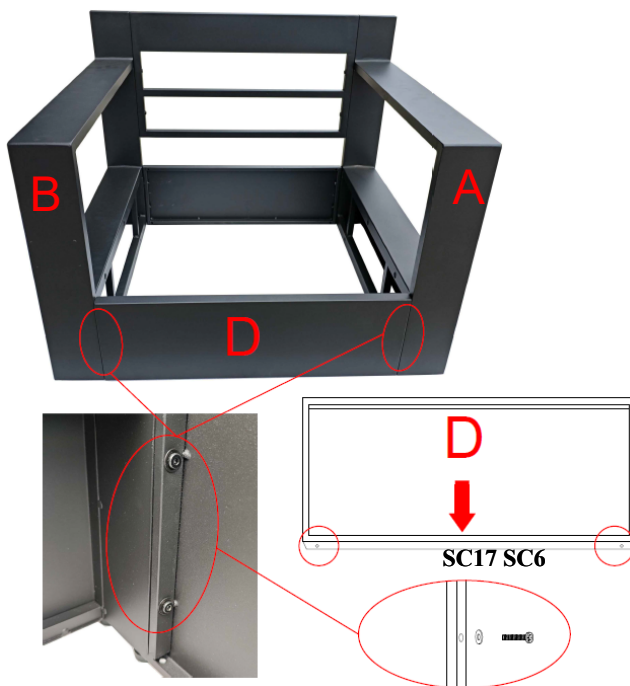
SC6		M6*30mm	2
SC17		Ø16*Ø6.5*1mm	2



3. Secure the Right Arm (B) to assembled Sofa Back (E) with 2 Bolts (SC9), 2 Spring Washers (SC19) and 2 Washers (SC33); Secure the Right Arm (B) to assembled Sofa Side Panel (D) with 2 Bolts (SC6), 2 Washers (SC17), using an Allen Wrench (SC1). **Ensure all bolts are properly loose.**



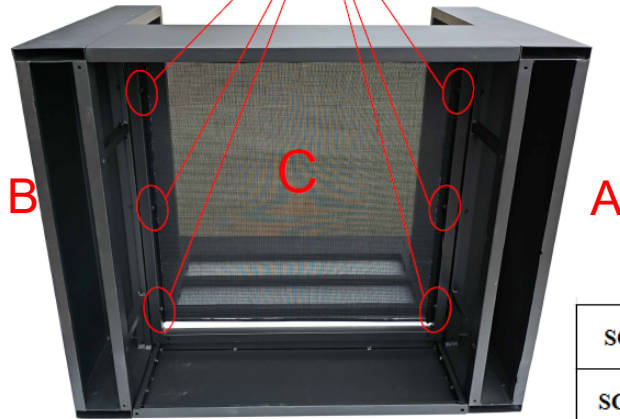
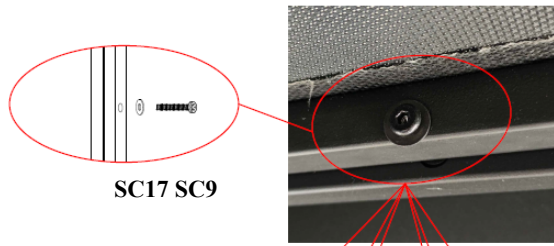
SC9		M6*40mm	2
SC19		Spring Washer	2
SC6		M6*30mm	2
SC17		Ø16*Ø6.5*1mm	2
SC33		Ø18*Ø6.5*1mm	2



4. Secure the Sofa Side Panel (D) to assembled Sofa Arm (A & B) with 4 Bolts (SC6), 4 Washers (SC17), using an Allen Wrench (SC1). **Ensure all bolts are properly loose.**



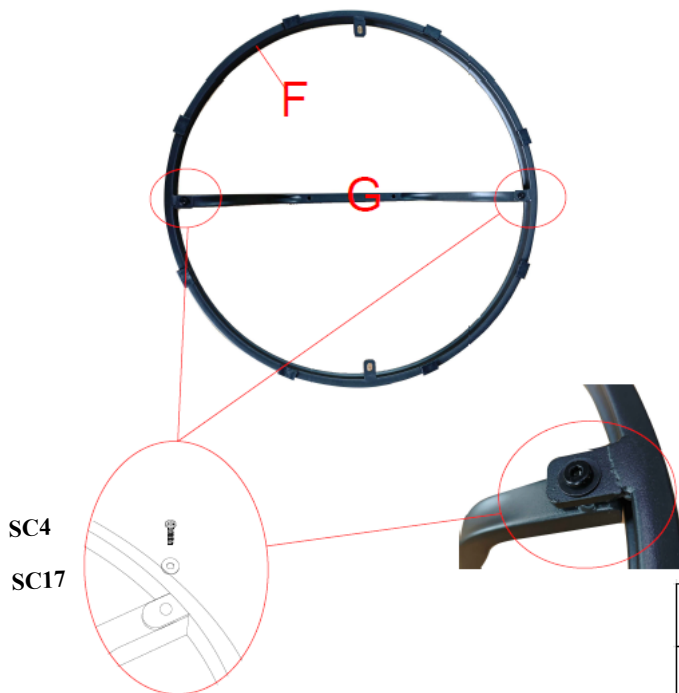
SC6		M6*30mm	4
SC17		Ø16*Ø6.5*1mm	4



5. Secure the Sofa Seat Panel (C) to assembled Sofa Arm (A & B) with 6 Bolts (SC9), 6 Washers (SC17), using an Allen Wrench (SC1). **Ensure all bolts are properly loose.**





SC9		M6*40mm	6
SC17		Ø16*Ø6.5*1mm	6

6. Secure the Connecting Rod (G) to assembled Base (F) with 2 Bolts (SC4), 2 Washers (SC17), using an Allen Wrench (SC1). **Ensure all bolts are properly loose.**







SC4		M6*20mm	2
SC17		Ø16*Ø6.5*1mm	2

7. Secure the Connecting Rod (H) to assembled Base (F) with 2 Bolts (SC4), 2 Washers (SC17), using an Allen Wrench (SC1). **Ensure all bolts are properly loose.**

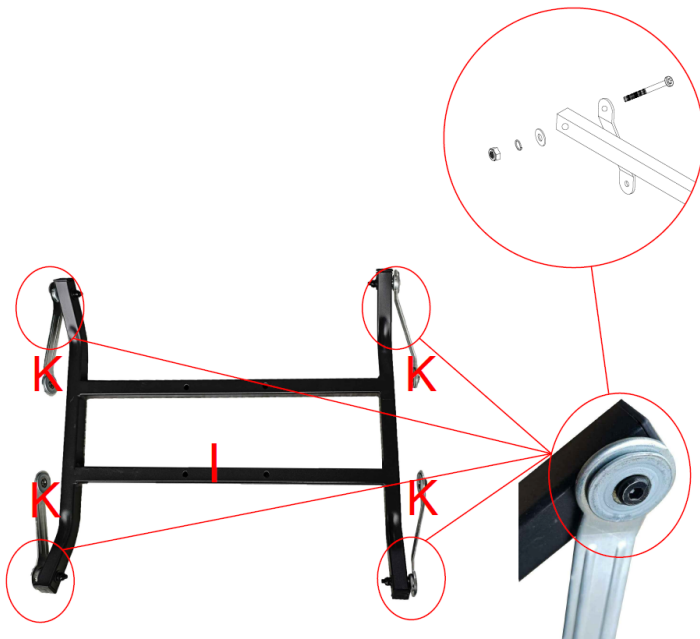
SC4		M6*20mm	2
SC17		Ø16*Ø6.5*1mm	2

8. Secure the Swivel Plate (J) to assembled Connecting Rod (G & H) with 4 Bolts (SC8), 8 Washers (SC17), 4 Spring Washers (SC19) and 4 M6 Nuts (SC20), using an Allen Wrench (SC1) and a Socket Wrench (SC30). **Ensure all bolts are properly loose.**

SC8  
SC17  
SC17  
SC19  
SC20

SC8		M6*35mm	4
SC17		Ø16*Ø6.5*1mm	8
SC19		Spring Washer	4
SC20		M6 Nut	4

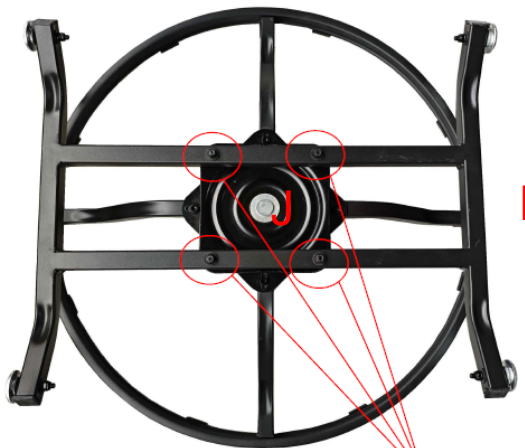
9. Secure the Swing Arm (K) to assembled U-shaped Fiting (I) with 4 Bolts (SC31), 4 Washers (SC17), 4 Spring Washers (SC19) and 4 M6 Nuts (SC20), using an Allen Wrench (SC1) and a Socket Wrench (SC30). **Ensure all bolts are properly loose.**



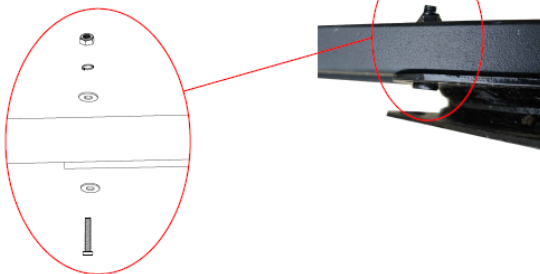
SC31  
SC17  
SC19  
SC20

SC31		M6*45mm	4
SC17		Ø16*Ø6.5*1mm	4
SC19		Spring Washer	4
SC20		M6 Nut	4

10. Secure the U-shaped Fiting (I) to assembled Swivel Plate (J) with 4 Bolts (SC8), 8 Washers (SC17), 4 Spring Washers (SC19) and 4 M6 Nuts (SC20), using an Allen Wrench (SC1) and a Socket Wrench (SC30). **Ensure all bolts are properly loose.**

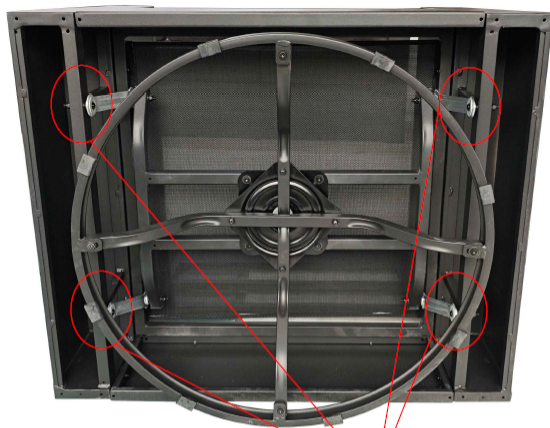


SC20  
SC19  
SC17  
SC17  
SC8

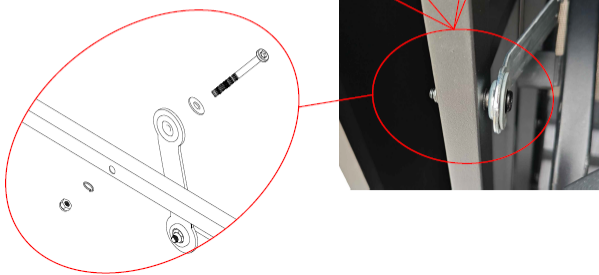






SC8		M6*35mm	4
SC17		Ø16*Ø6.5*1mm	8
SC19		Spring Washer	4
SC20		M6 Nut	4

**11. Secure the Swing Arm (K) to assembled Sofa Arm (A & B) with 4 Bolts (SC31), 4 Washers (SC17), 4 Spring Washers (SC19) and 4 M6 Nuts (SC20), using an Allen Wrench (SC1) and a Socket Wrench (SC30). Ensure all bolts are properly tightened.**



SC31  
SC17  
SC19  
SC20



SC31		M6*45mm	4
SC17		Ø16*Ø6.5*1mm	4
SC19		Spring Washer	4
SC20		M6 Nut	4

**12. Place the Seat and Back Cushions ( M & L ) onto the Sofa and it is ready for use.**



**Tips: All Seat Cushions should be tightened on the Back Panel, Right image for reference.**



## **SPECIAL WARNING:**

**THIS CHAIR IS NOT A TOY. DON'T OVER-SWING THE CHAIR. OVER-SWING THE CHAIR MAYBE MAKE THE CHAIR TIP OVER AND RESULT IN INJURY.**



**DO NOT STAND ON THE CHAIR. ANY IMPROPER USE OF THIS PRODUCT MAY RESULT IN INJURY.**

