

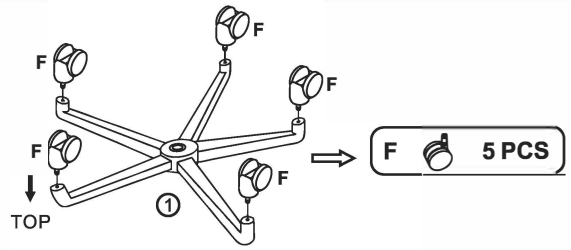
Assembly instructions

PARTS

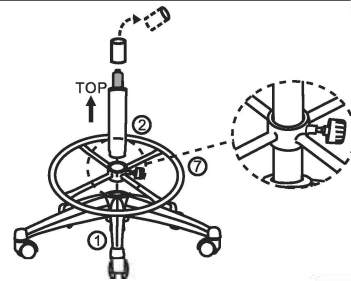
| | |
|-------|-------------|
| ① X 1 | A.M6*25 X 4 |
| | |
| ② X 1 | B.M8*25 X 4 |
| | |
| ③ X 1 | C.M8*30 X 4 |
| | |
| ④ X 1 | D.X 4 |
| | |
| ⑤ X 1 | E.X 1 |
| | |
| ⑥ X 1 | F.X 5 |
| | |
| ⑦ X 1 | G.X 2 |
| | |
| ⑧ X 1 | H.X 2 |
| | |

NOTICE:
EVERY 6 MONTHS, PLEASE MAKE SURE ALL BOLTS, SCREWS AND KNOBS ARE FULLY TIGHTENED TO ENSURE STABILITY.

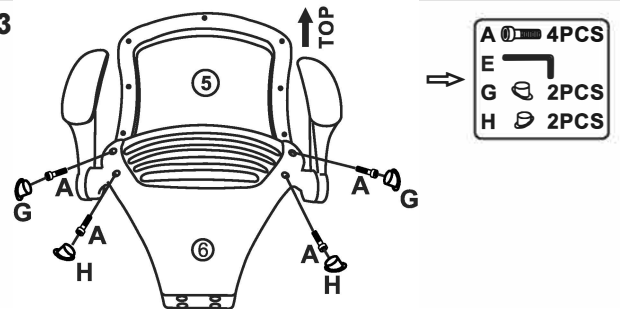
STEP 1



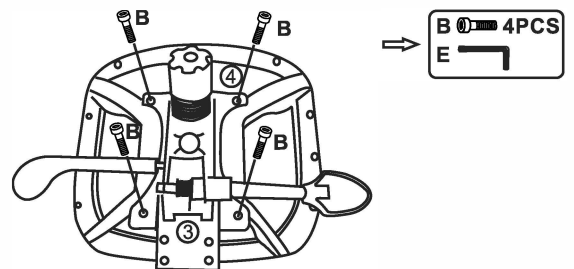
STEP 2



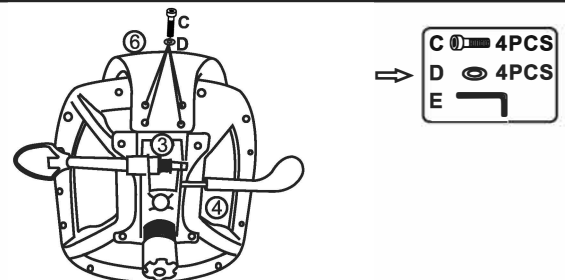
STEP 3



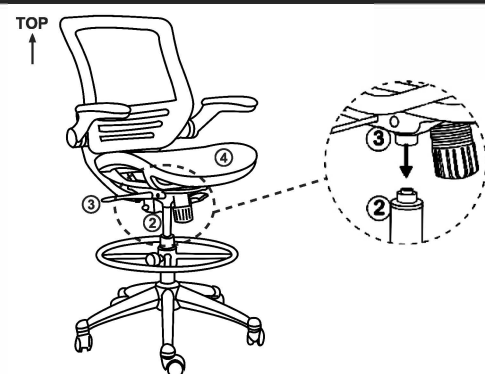
STEP 4



STEP 5



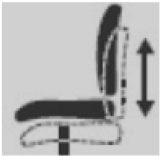
STEP 6



CONTROL MECHANISM



* Flip back armrest



* Chair Height Adjustment

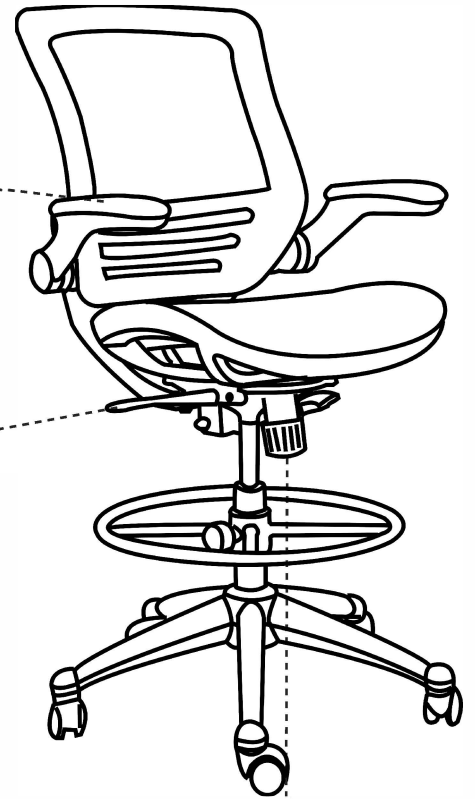
- To increase chair height pull lever upward while lifting body weight slightly off the seat.
- Release lever at desired height.

- To lower chair height sit fully into the chair and pull lever upward.
- Release lever at desired height.



* Adjustable Chair Tension Speed

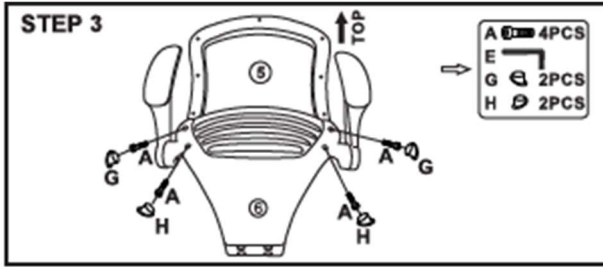
- Turn continuously to adjust how quickly chair tilts back & forth.



Note: If adjusting while sitting in chair:
Turn knob left to tighten tension.
Turn knob right to loosen tension.

Instruction Addendum

STEP 3:



Leave all 4 bolts loose when assembling the arm piece to the back. Start on the lower left. Once that bolt is started, move to the lower right, then the two top bolts. Completely tighten once all bolts have been inserted.

FURNITURE TEN-YEAR LIMITED WARRANTY

We want you to be happy with our products. When used and maintained properly, they will provide you with years of satisfaction.

Chairs are warranted against manufacturing defects in material and workmanship for ten years from the original date of retail purchase with the following exceptions: Upholstery materials, foam, gas cylinders, and control mechanisms. Upholstery materials and foam are warranted against unusual wear or deterioration and gas cylinders, and control mechanisms against structural failure or unusual wear for EIGHTEEN months.

The warranty obligation is limited to the replacement of defective parts and components. The warranty is null and void if the product is subject to negligence, abuse, misuse, or modified in any way (i.e., using inferior roller blade wheels). Customers must be responsible for the maintenance of this product, including cleaning and making sure all hardware is securely tightened every six months. This warranty is only rated for the original purchaser of the product and will not be honored if the product is resold. All warranties are for normal usage defined as a 40-hour workweek by persons weighing 250 pounds or less, which is rated at 350 pounds, and model 2250D, which is rated at 325 lbs.

Should any component be found to be defective under normal usage, that component will be replaced free of charge. We typically request a digital photograph of the part clearly showing the defect. If you do not have a camera available, or the defect cannot be depicted in a picture, you may be required to return the part to us, and we will replace the defective part/parts and return it to you, freight prepaid.

This warranty applies only to the product. We are not responsible in any way for loss, inconvenience, special or consequential damages caused by any product defect, or modifications or attachments not approved by . All other warranties, expressed or implied prior, are disclaimed.



COLOR: BLACK

N.W.: 40 LBS

G.W.: 44 LBS

QTY: 1 PC/CTN