
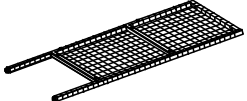
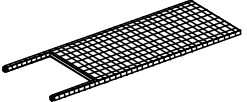
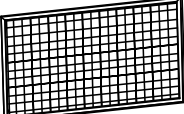
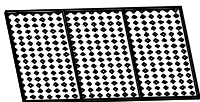
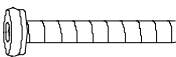




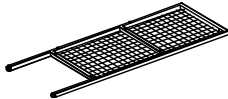
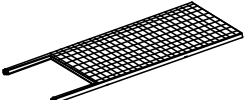
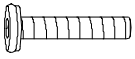

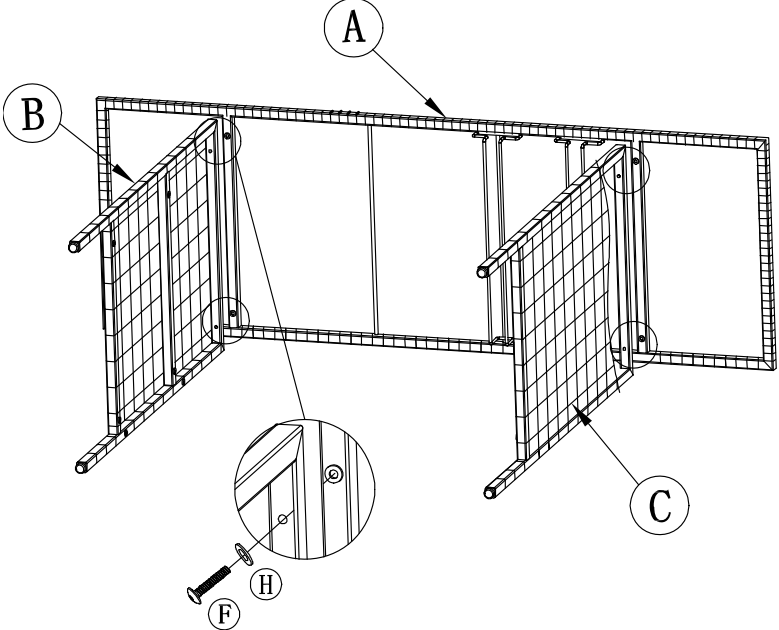
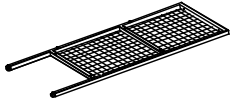
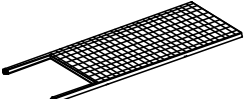
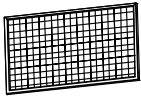
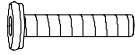

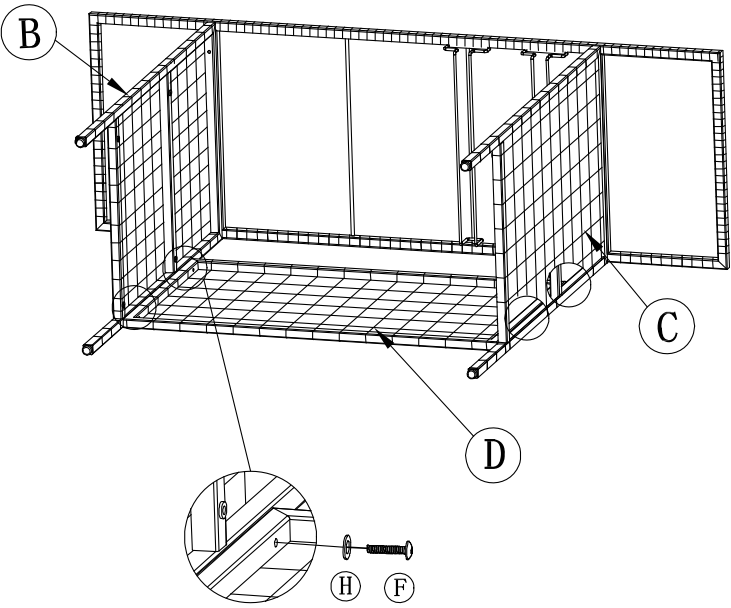
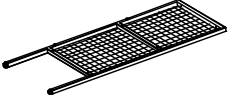
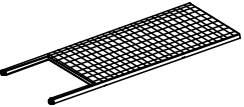
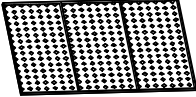
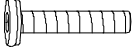

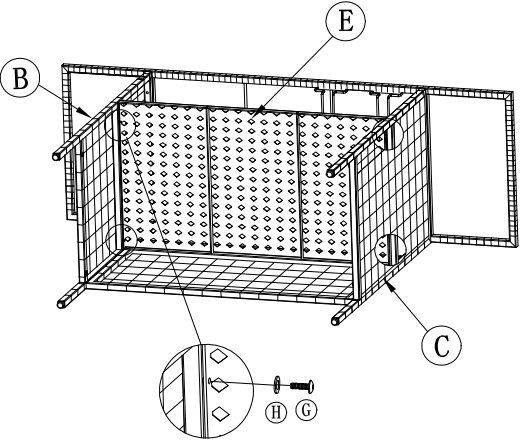


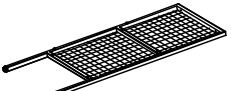
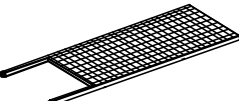
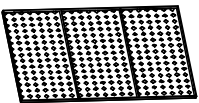

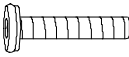
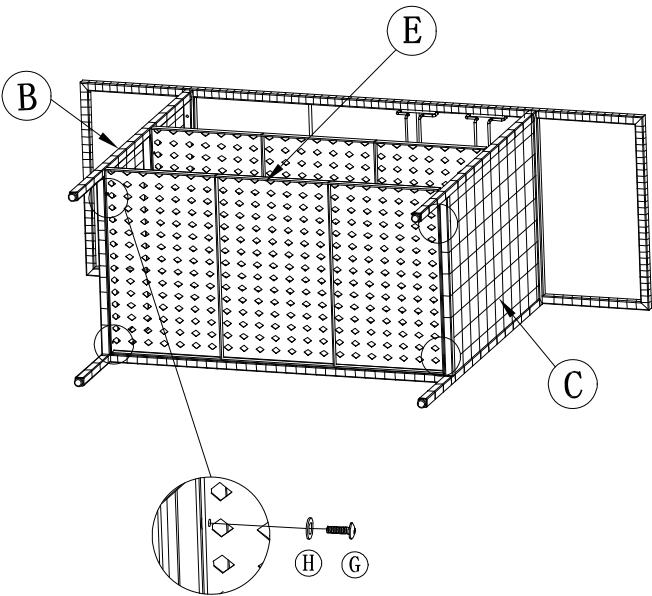
COMPONENTS			
PART	FIGURE	DESCRIPTION	QTY
A		TOP PANEL	1
B		LEFT PANEL	1
C		RIGHT PANEL	1
D		FRONT PANEL	1
E		STEEL MESH SHELF	2

HARDWARE & TOOLS			
PART	FIGURE	DESCRIPTION	QTY
F		M0.24"*1.38"BOLT	8
G		M0.24"*0.59"BOLT	8
H		WASHER	16
I		ALLEN WRENCH	1

STEP	
1	
<p data-bbox="507 479 646 524">STEP 1</p> <div data-bbox="167 600 454 645"> <p>A </p> </div> <div data-bbox="167 748 438 846"> <p>B </p> </div> <div data-bbox="167 913 470 1012"> <p>C </p> </div> <div data-bbox="167 1057 386 1115"> <p>F </p> </div> <div data-bbox="167 1227 331 1263"> <p>H </p> </div>	 <p>The diagram illustrates the assembly of a wire mesh structure. It shows a central rectangular frame with two side panels (B and C) and a top panel (A). The side panels are hinged to the frame. A circular inset provides a detailed view of the hinge mechanism, showing a screw (F) and a washer (H) being used to secure the panels to the frame's vertical supports.</p>

STEP	
2	
<p data-bbox="172 595 193 624">B</p>  <p data-bbox="172 757 193 786">C</p>  <p data-bbox="172 925 193 954">D</p>  <p data-bbox="172 1048 193 1077">F</p>  <p data-bbox="172 1171 193 1200">H</p> 	<p data-bbox="512 517 647 555">STEP 2</p> 

STEP	
3	
<p data-bbox="172 555 194 586">B</p>  <p data-bbox="172 721 194 752">C</p>  <p data-bbox="172 846 194 878">E</p>  <p data-bbox="172 1012 194 1043">G</p>  <p data-bbox="172 1137 194 1169">H</p> 	<p data-bbox="561 519 662 551">STEP 3</p> 

<p>STEP 4</p>	
<p>B </p> <p>C </p> <p>E </p> <p>H </p> <p>G </p>	<p>STEP 4</p> 
<p>STEP</p>	
<p>5</p>	
	