




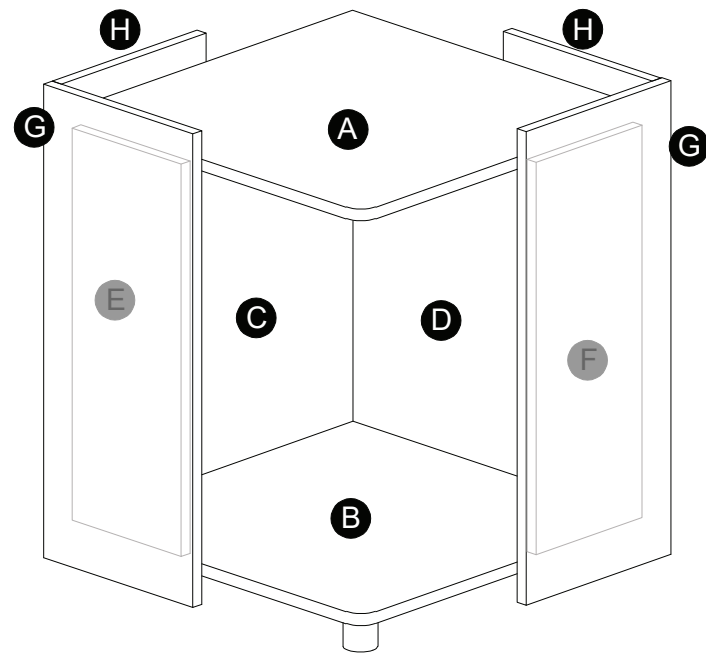


HARDWARE & PARTS LIST

NO	HARDWARE LIST	QTY
1	MINIFIX  1a  1b	10pcs
2	DOWEL 	22pcs
3	C/B SCREW 	20pcs
4	ROUND LEG 	4pcs

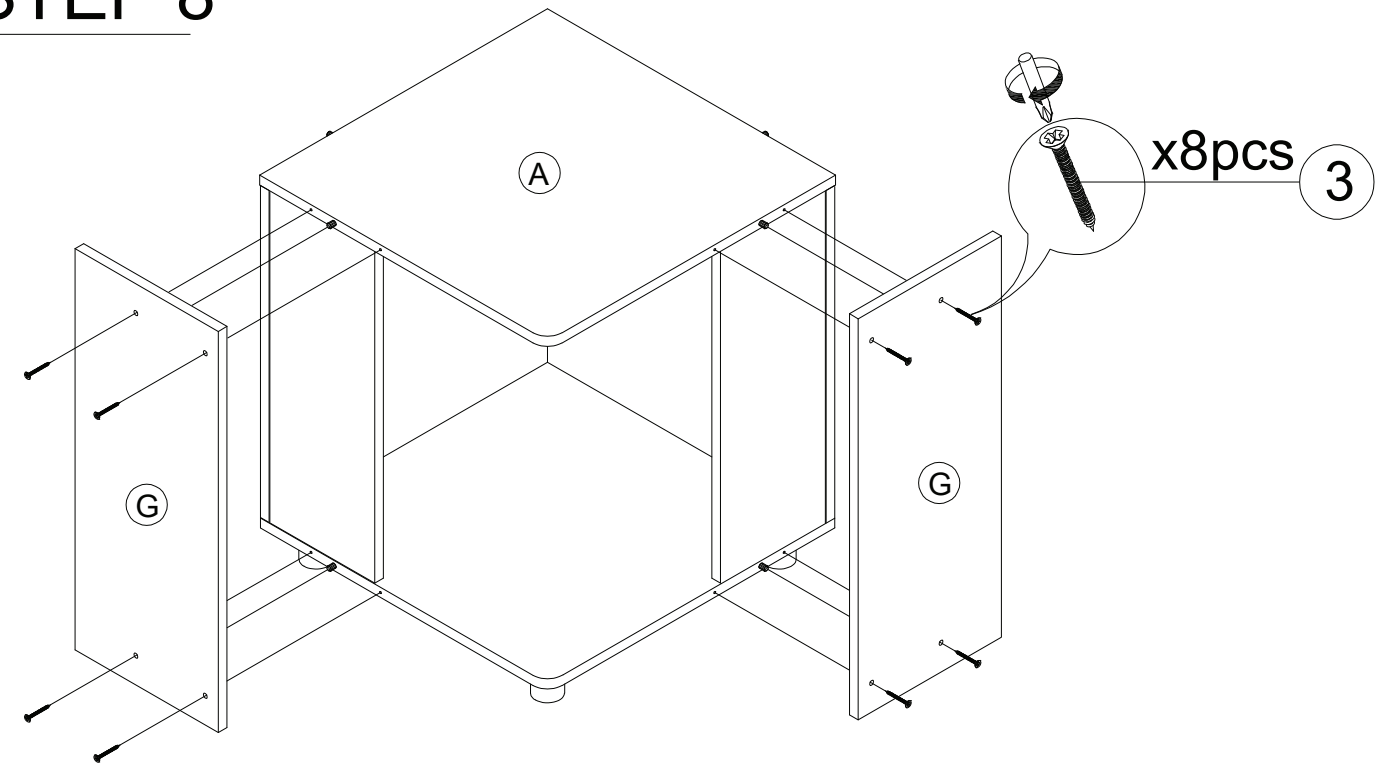
NO	PARTS LIST	QTY
A	TOP PANEL	1pc
B	BOTTOM PANEL	1pc
C	LEFT SIDE PANEL	1pc
D	RIGHT SIDE PANEL	1pc
E	LEFT SUPPORT PANEL	1pc
F	RIGHT SUPPORT PANEL	1pc
G	FRONT COVER PANEL	2pcs
H	BACK COVER PANEL	2pcs



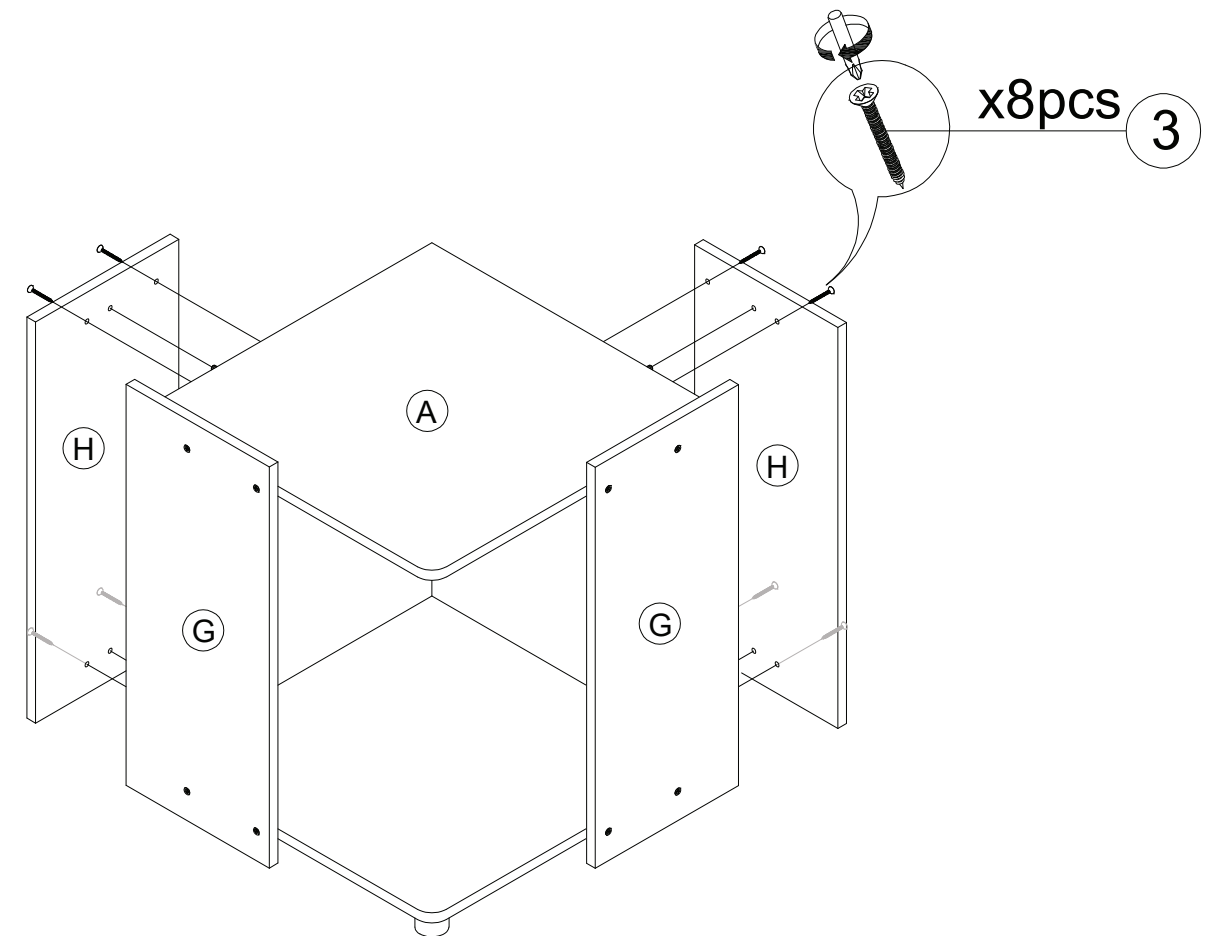
USEFUL HINTS BEFORE YOU START:

1. Read each step carefully before starting.
2. It is important that each step is performed in correct order to avoid difficulties.
3. Identify, sort and count the parts before assembly.
4. Assemble your furniture on packaging cardboard to prevent scratch or damage.
5. Clean the product with mild cleanser using soft dampened cloth. Do not use harsh or abrasive cleanser.
6. Using incompatible hardware might cause damage to product.

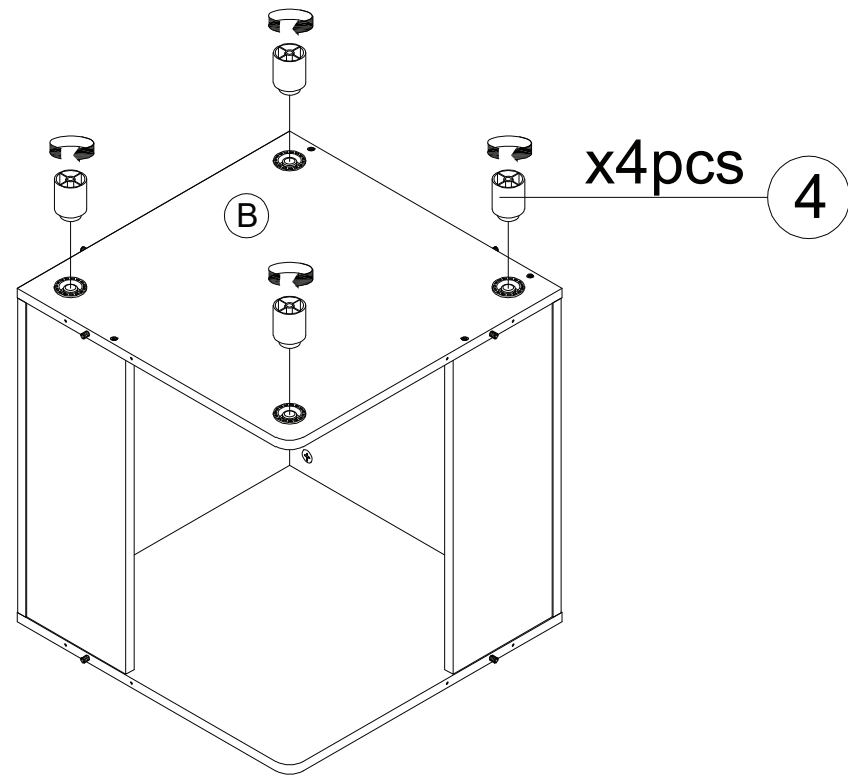
STEP 8



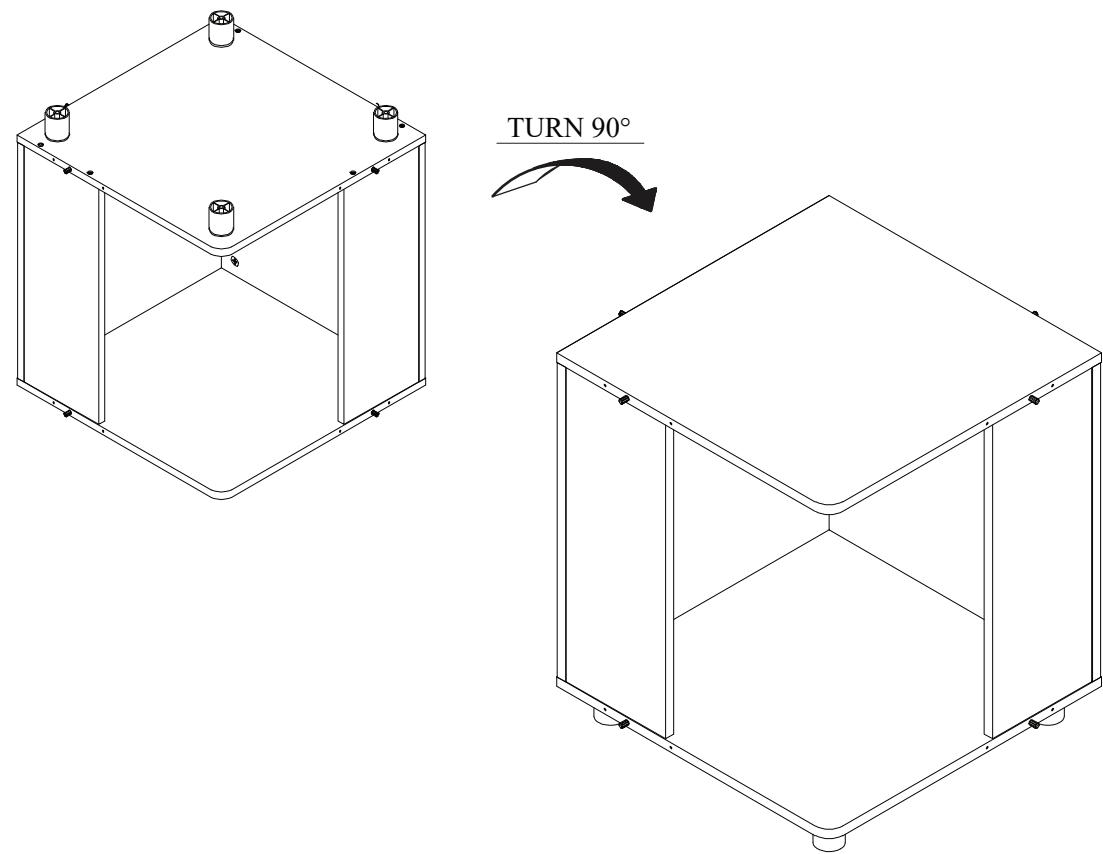
STEP 9



STEP 6



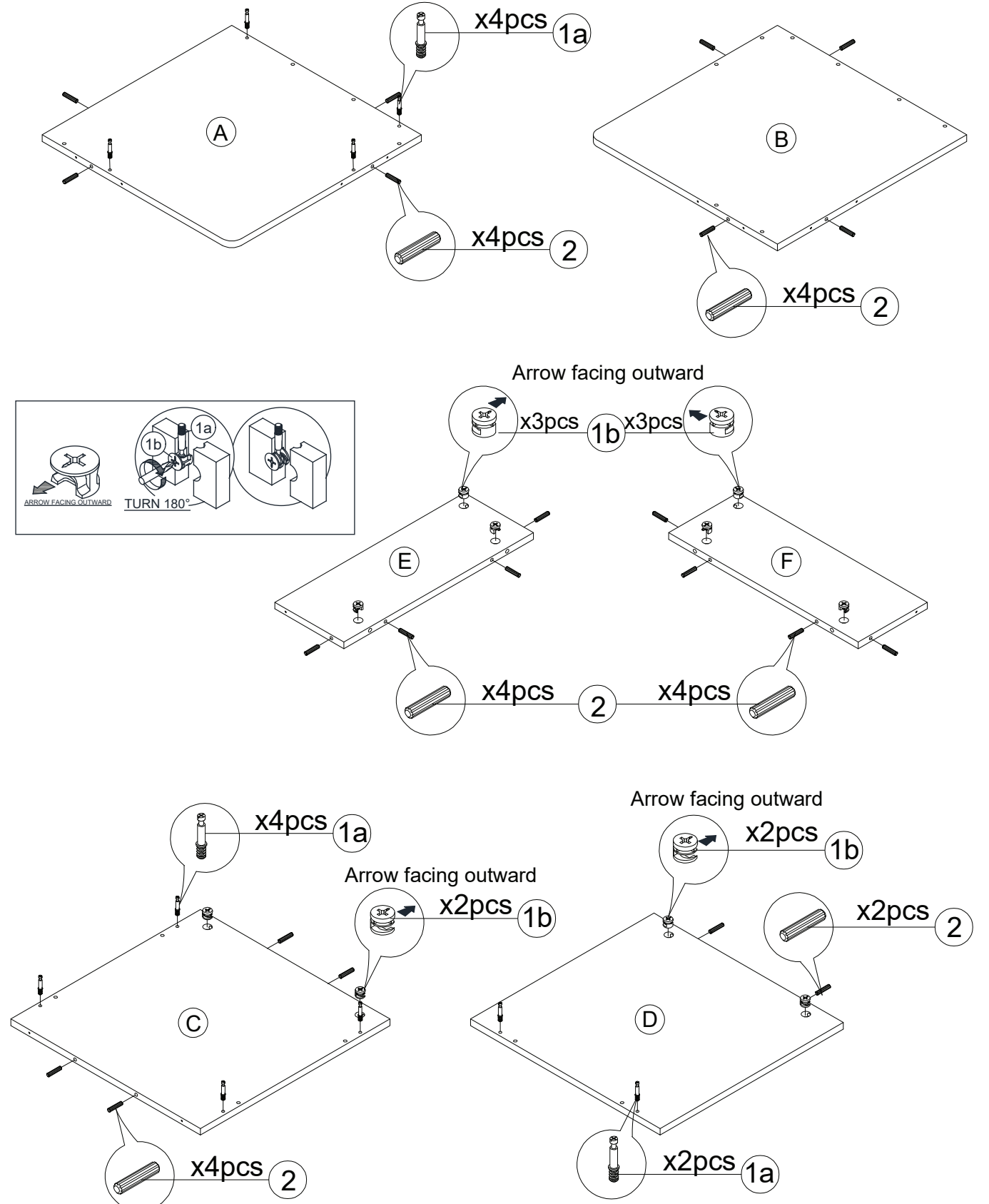
STEP 7



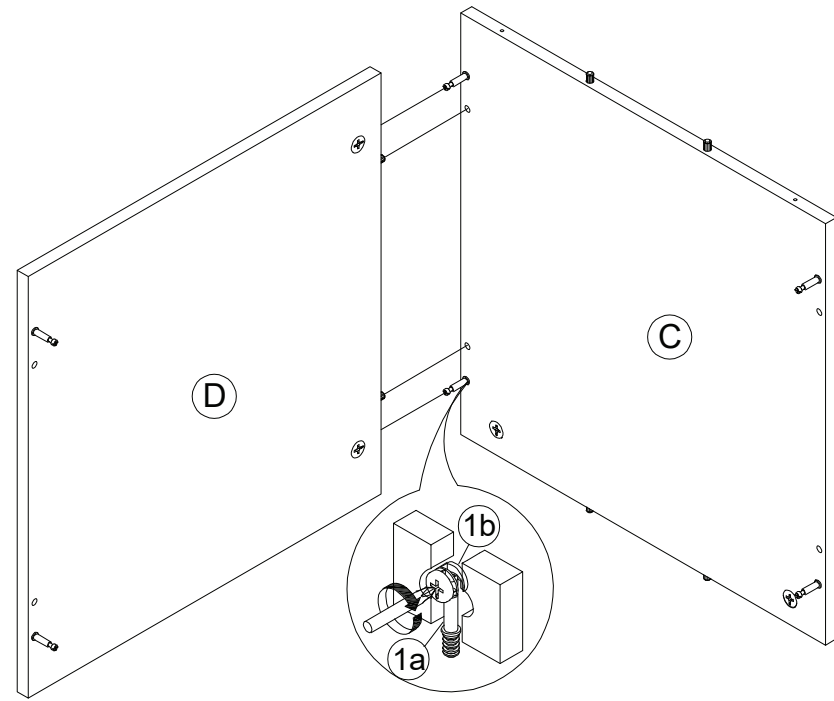
ASSEMBLY INSTRUCTIONS

BEFORE YOU BEGIN, PLEASE READ ASSEMBLY INSTRUCTIONS CAREFULLY, FOLLOW THEM STEP BY STEP.

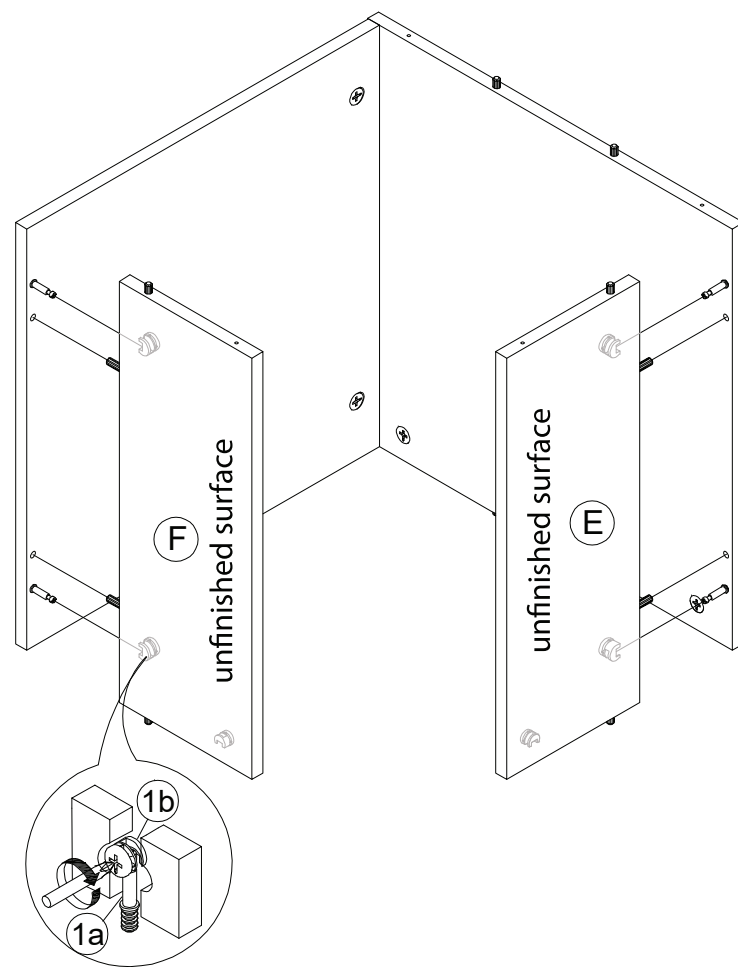
STEP 1



STEP 2

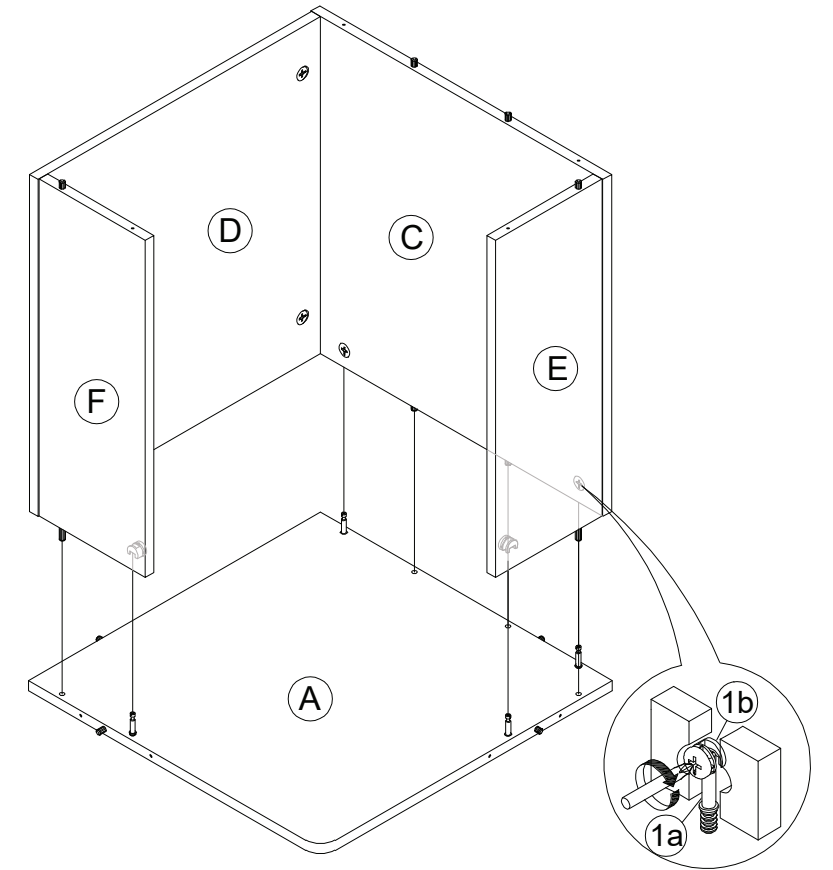


STEP 3

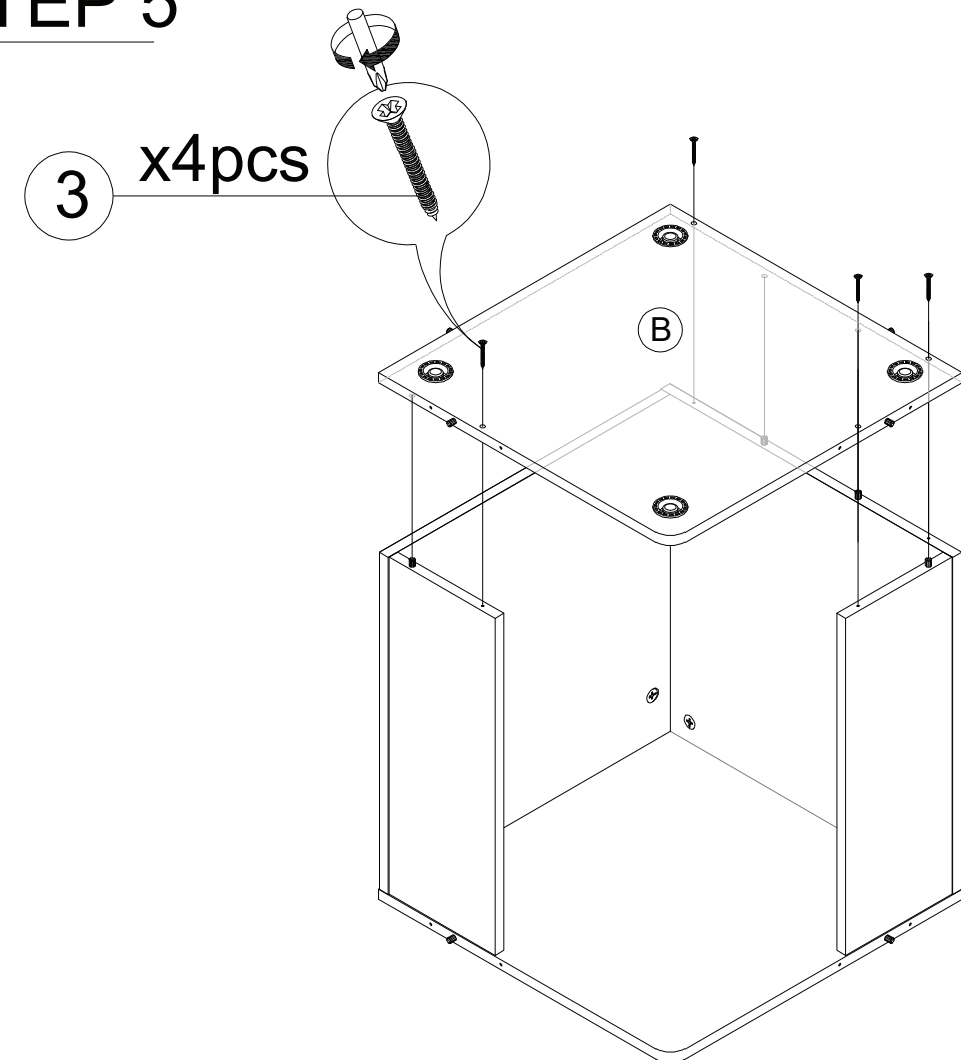


3

STEP 4



STEP 5



4