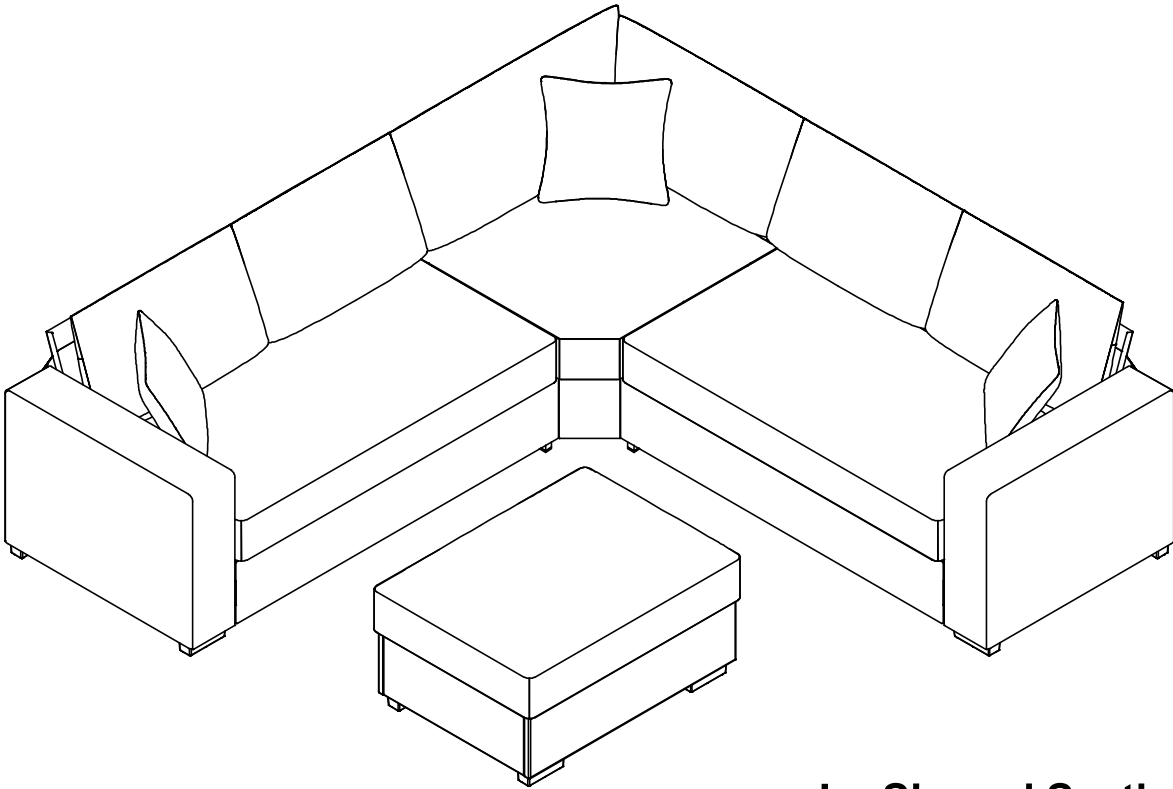
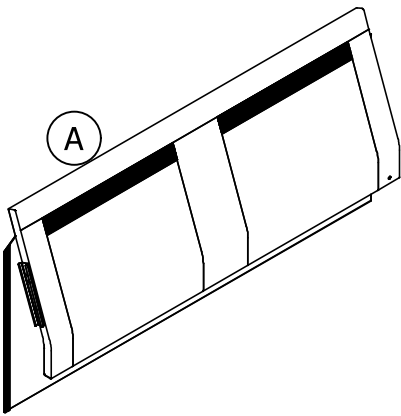


Assembly Instructions

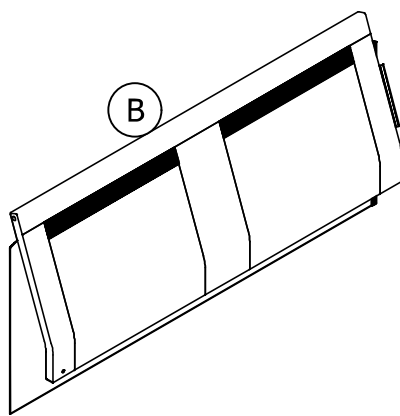


L - Shaped Sectional Sofa

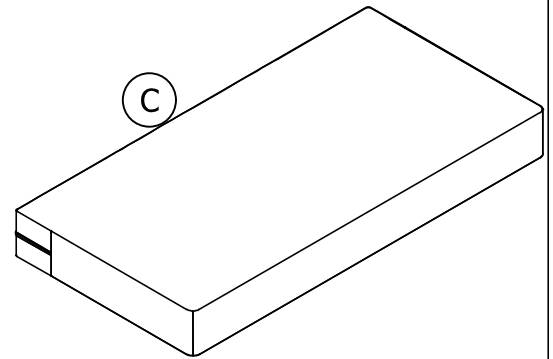
PARTS LIST - BOX 1



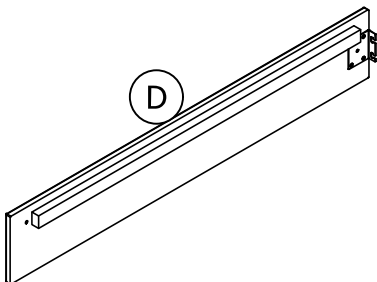
Back Frame X 1PC



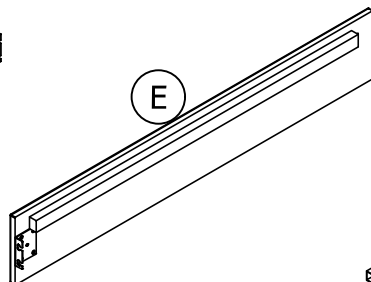
Back Frame X 1PC



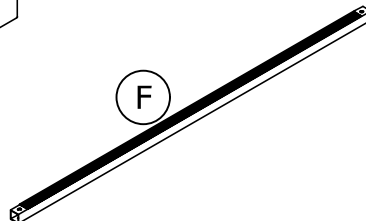
Seat Cushion X 2PCS



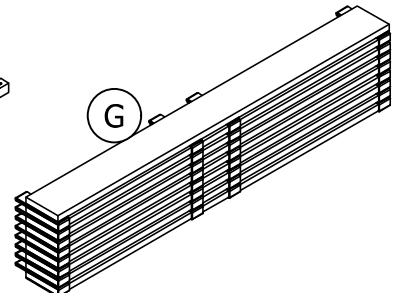
Front Rail X 1PC



Front Rail X 1PC

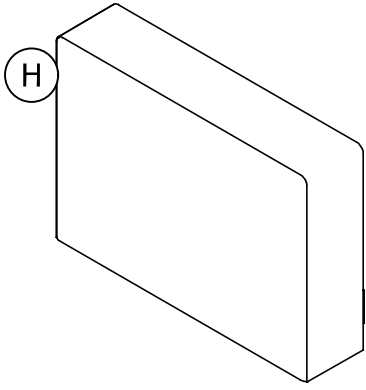


Rear Rail X 2PCS

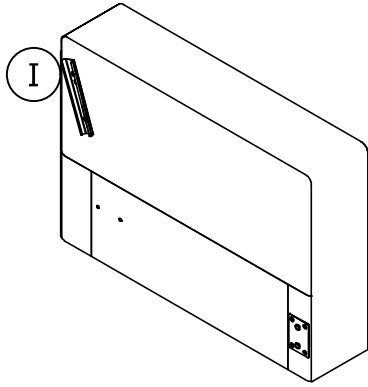


Seat Panel X 2PCS

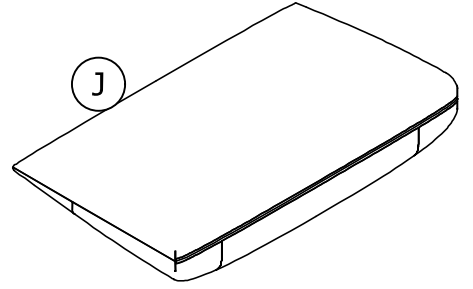
PARTS LIST - BOX 2



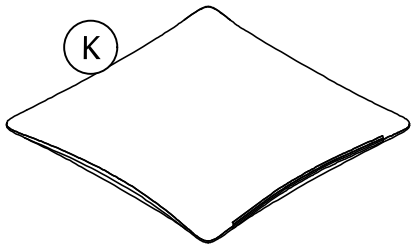
Left Armrest X 1PC



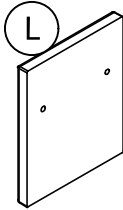
Right Armrest X 1PC



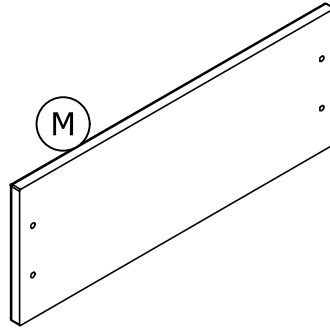
Back Cushion X 4PCS



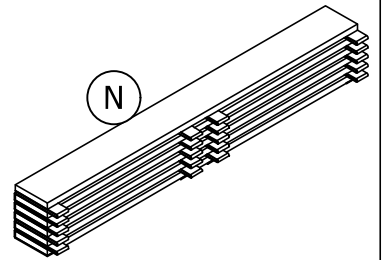
Pillow X 3PCS



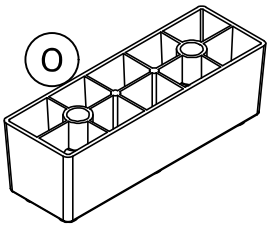
Corner's Front Rail X 1PC



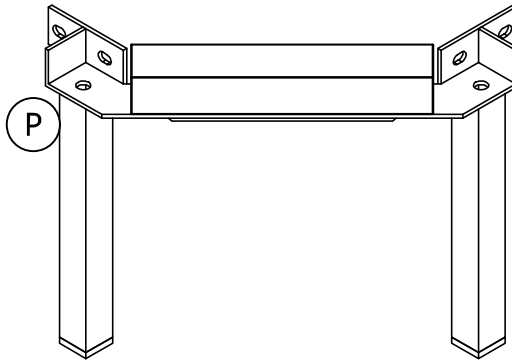
Ottoman's Panel X 2PCS



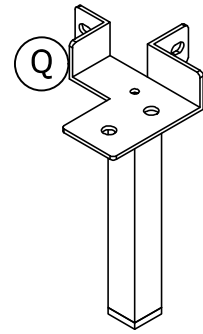
Ottoman's Seat Panel X 1PC



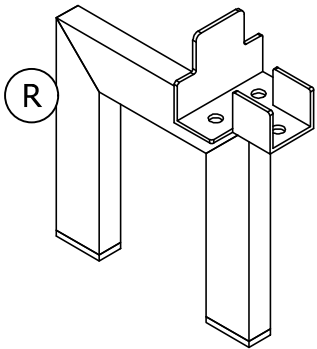
Leg X 8PCS



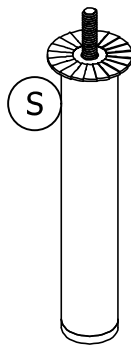
Front Leg X 1PC



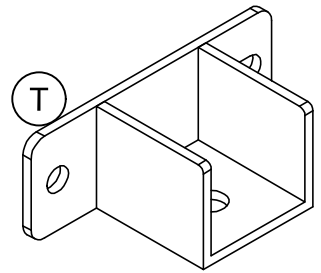
Corner's Rear Leg X 1PC



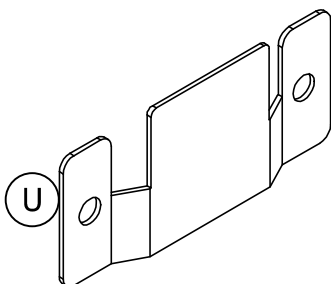
Rear Leg X 2PCS



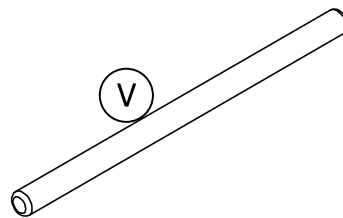
Middle Leg X 2PCS



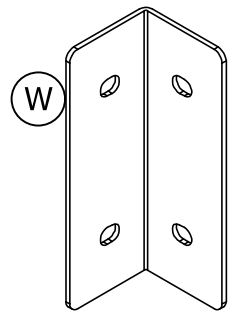
Bracket X 2PCS



Plug-in X 2PCS

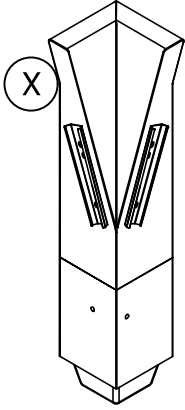


Connector X 2PCS

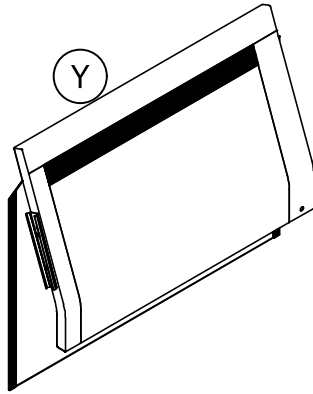


Ottoman's Bracket X 4PCS

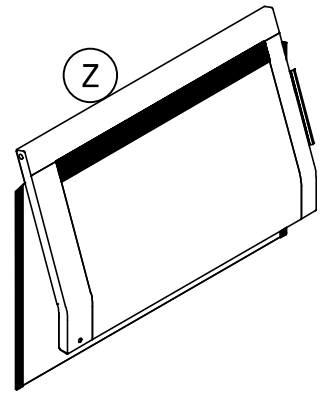
PARTS LIST - BOX 3



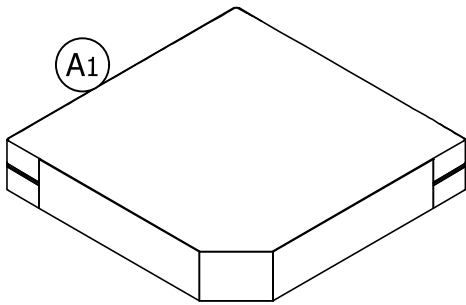
Corner X 1PC



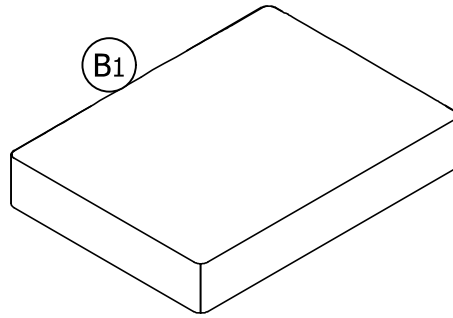
Corner's Back Frame X 1PC



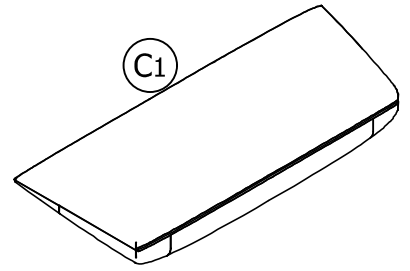
Corner's Back Frame X 1PC



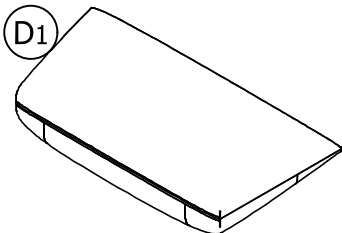
Corner's Seat Cushion X 1PC



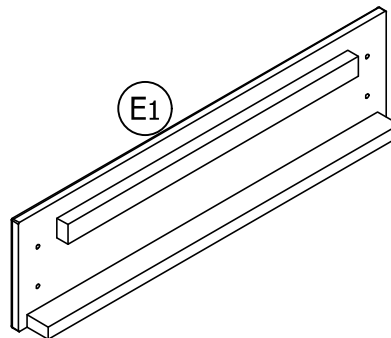
Ottoman's Seat Cushion X 1PC



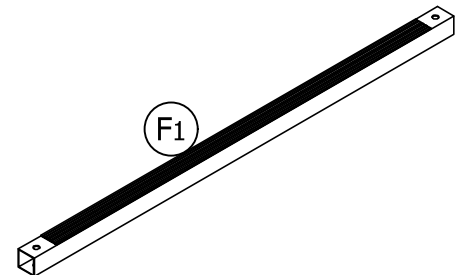
Corner's Back Cushion X 1PC



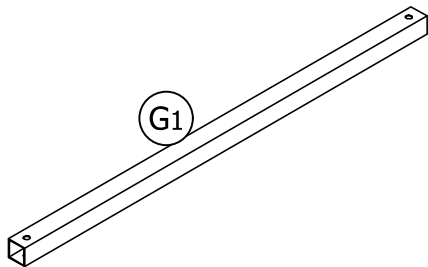
Corner's Back Cushion X 1PC



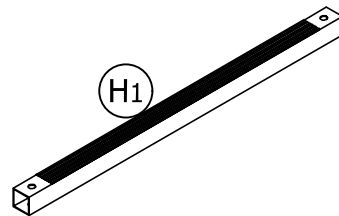
Ottoman's Panel X 2PCS



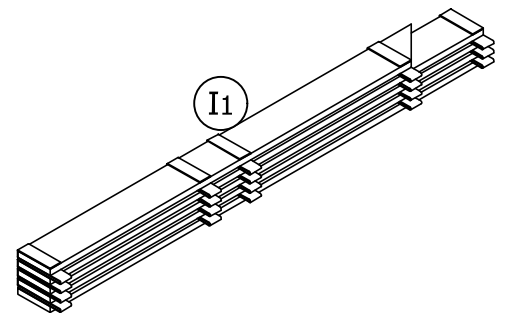
Corner's Rear Rail X 1PC



Corner's Rear Rail X 1PC

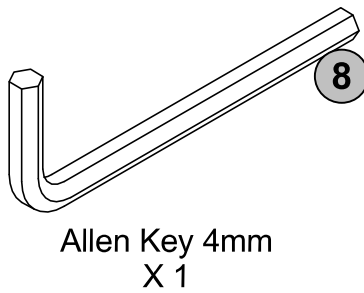
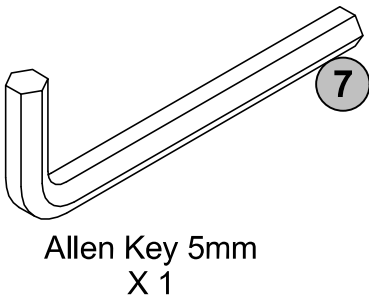
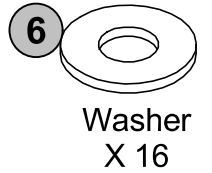
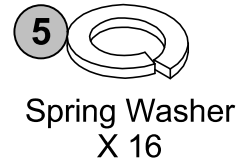
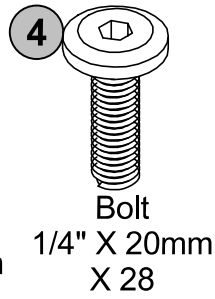
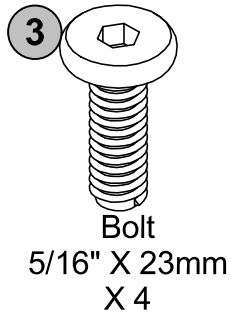
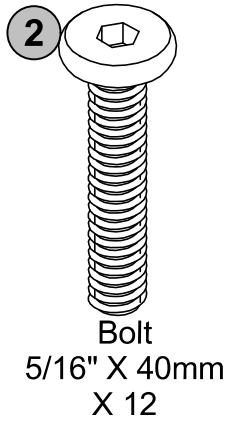
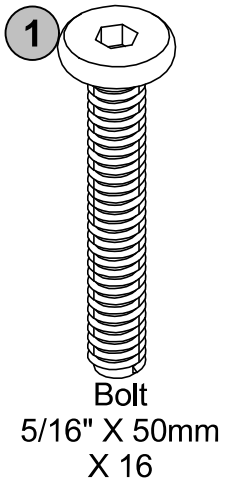


Middle Connector X 2PCS



Corner's Seat Panel X 1PC

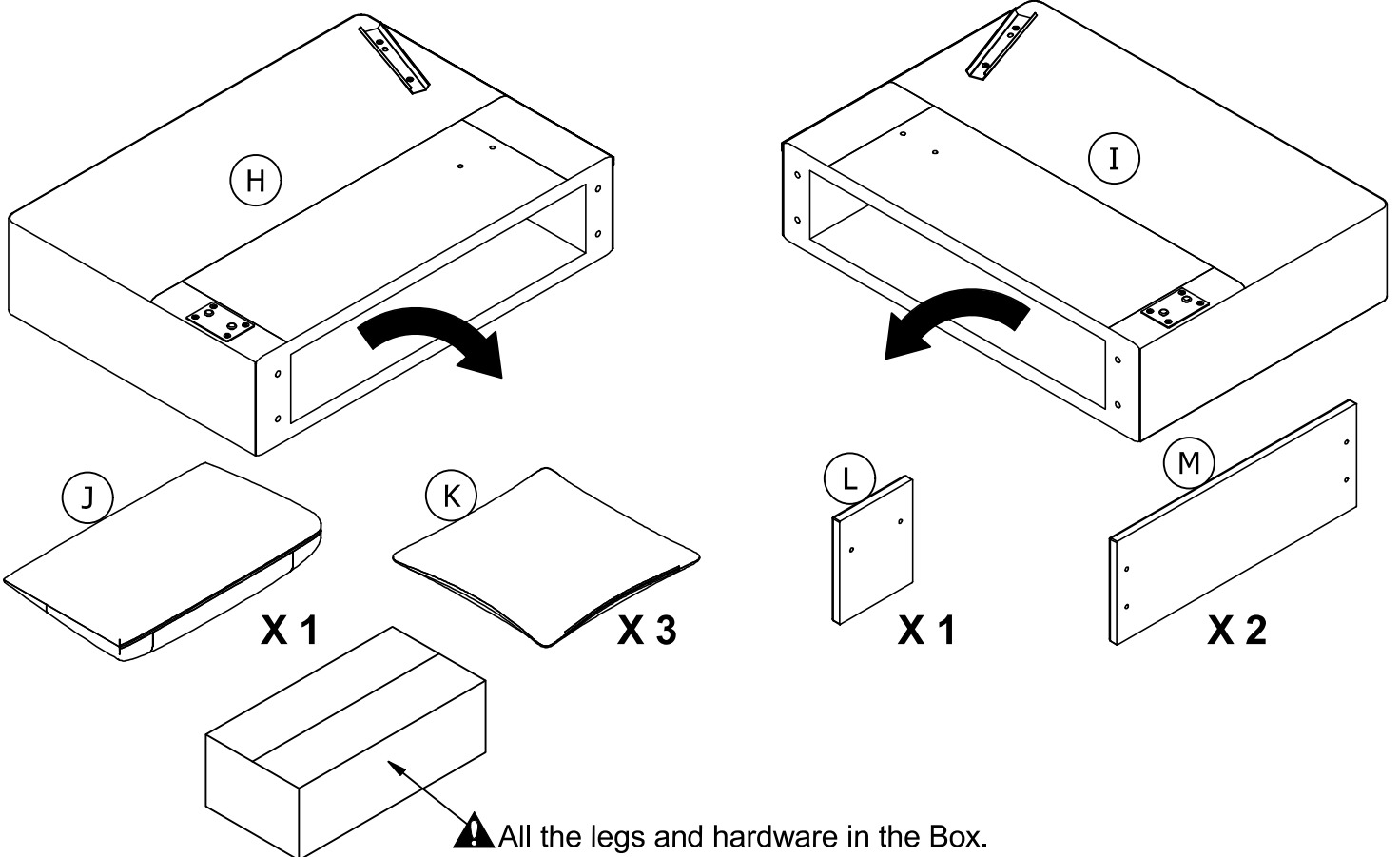
HARDWARE (in BOX 2)



Place all parts on a clean, smooth surface.

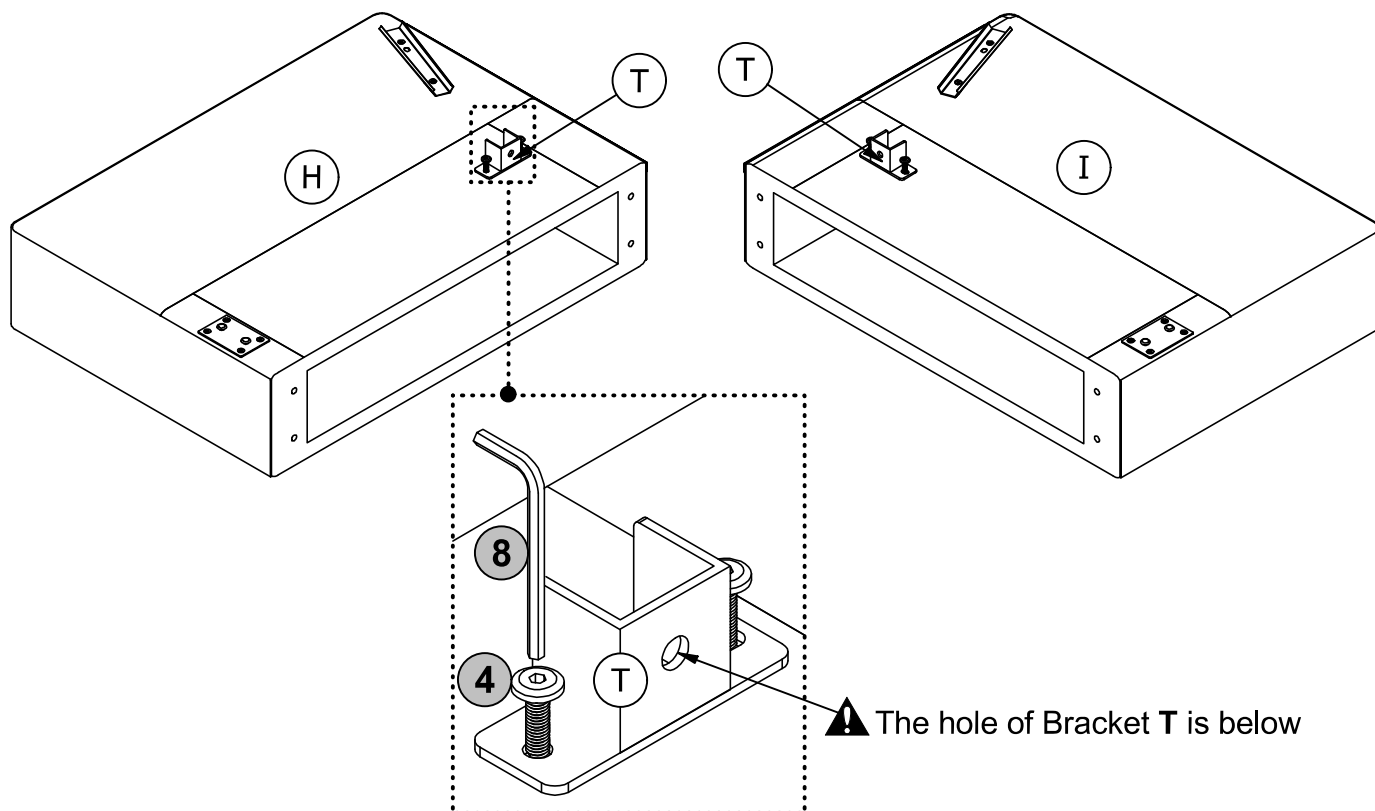
STEP 1:

Something will be found in the compartment under the armrest, as shown.



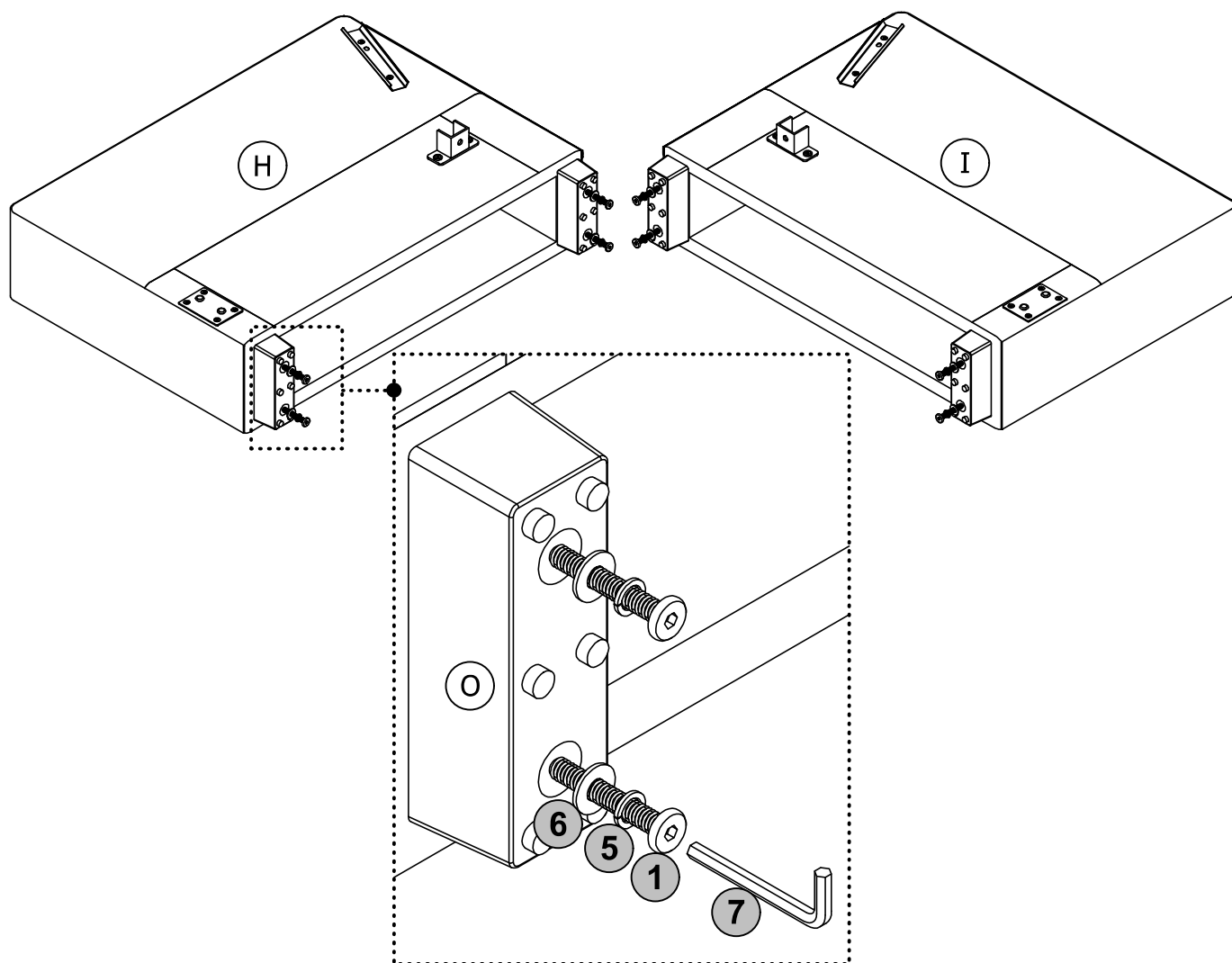
STEP 2:

Attach Bracket T x 2 to Armrest H & I with bolts 4, as shown.



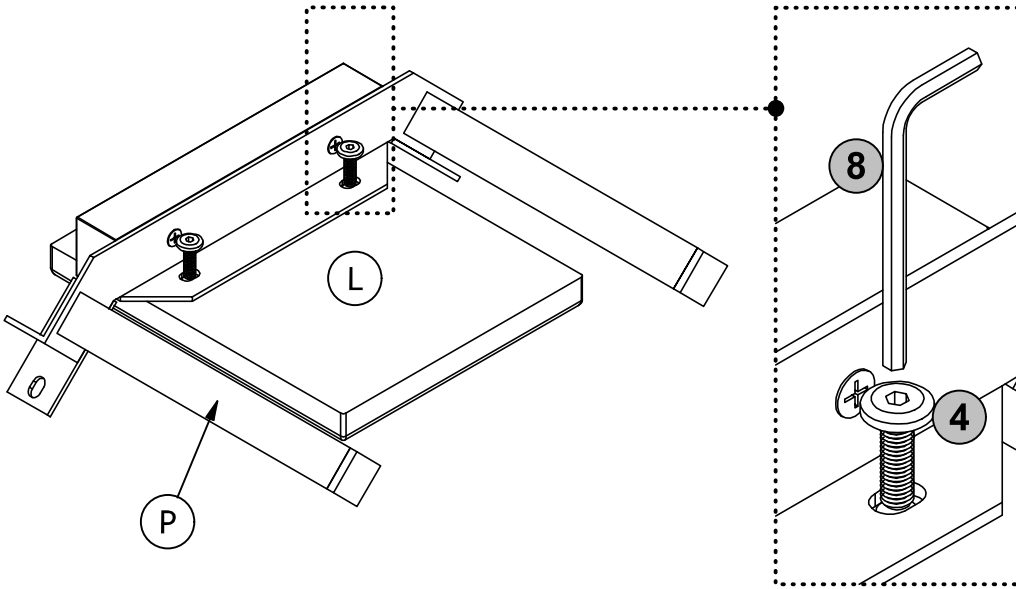
STEP 3:

Attach Legs O x 4 to Armrest H & I with Bolts 1, Spring Washers 5 and Flat Washers 6, as shown.



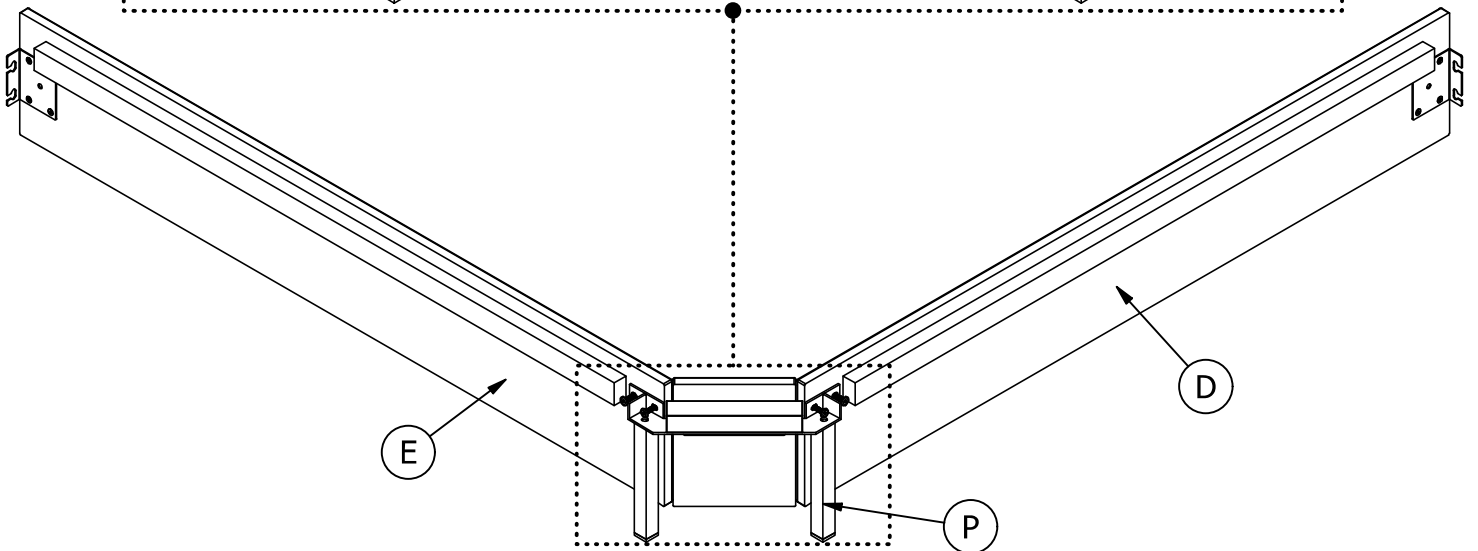
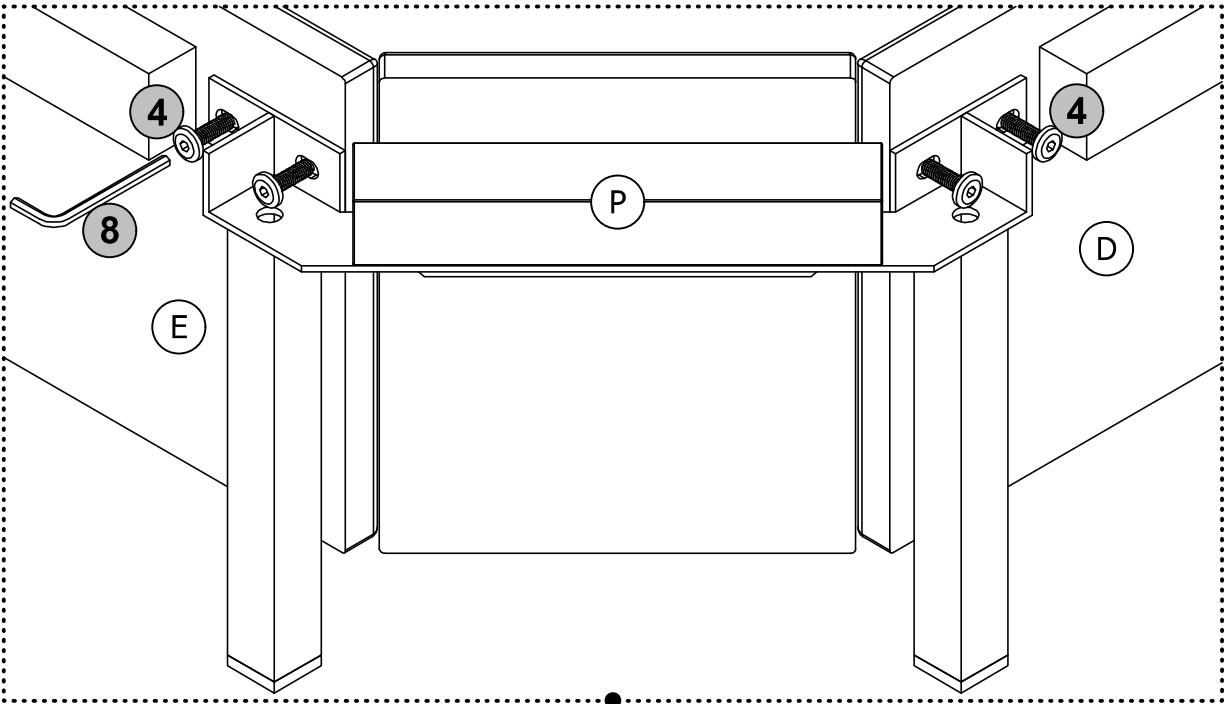
STEP 4:

Attach Front Leg **P** to Corner's Front Rail **L** with bolts **4**, as shown.



STEP 5:

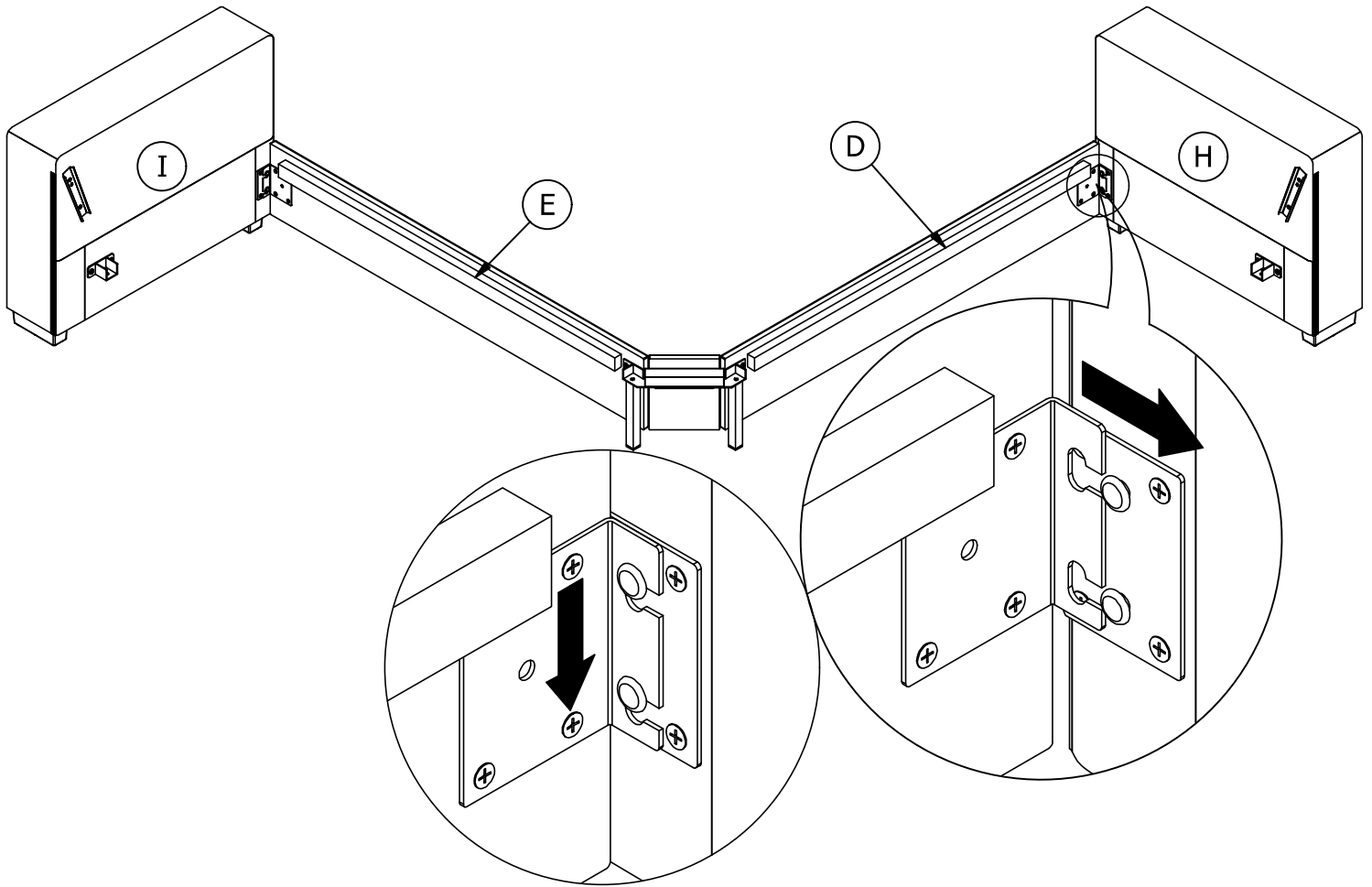
Attach Front Leg **P** to Front Rail **D** & **E** with bolts **4**, as shown.



STEP 6:

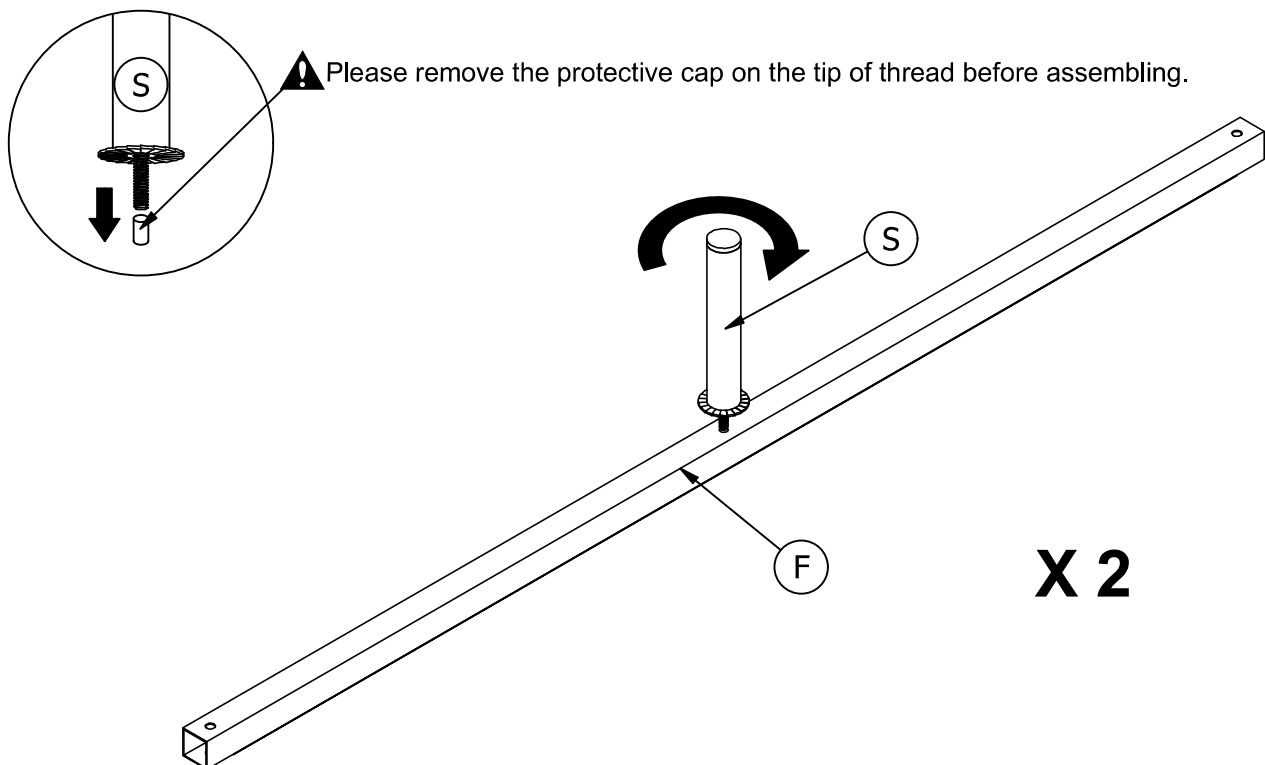
Attach Front Rail **D** & **E** to Armrests **H** & **I** by inserting the brackets on Front Rail **D** & **E** into the metal plate on Armrests **H** & **I**, as shown.

Push Front Rail **D** & **E** with a downward force to secure it into place.



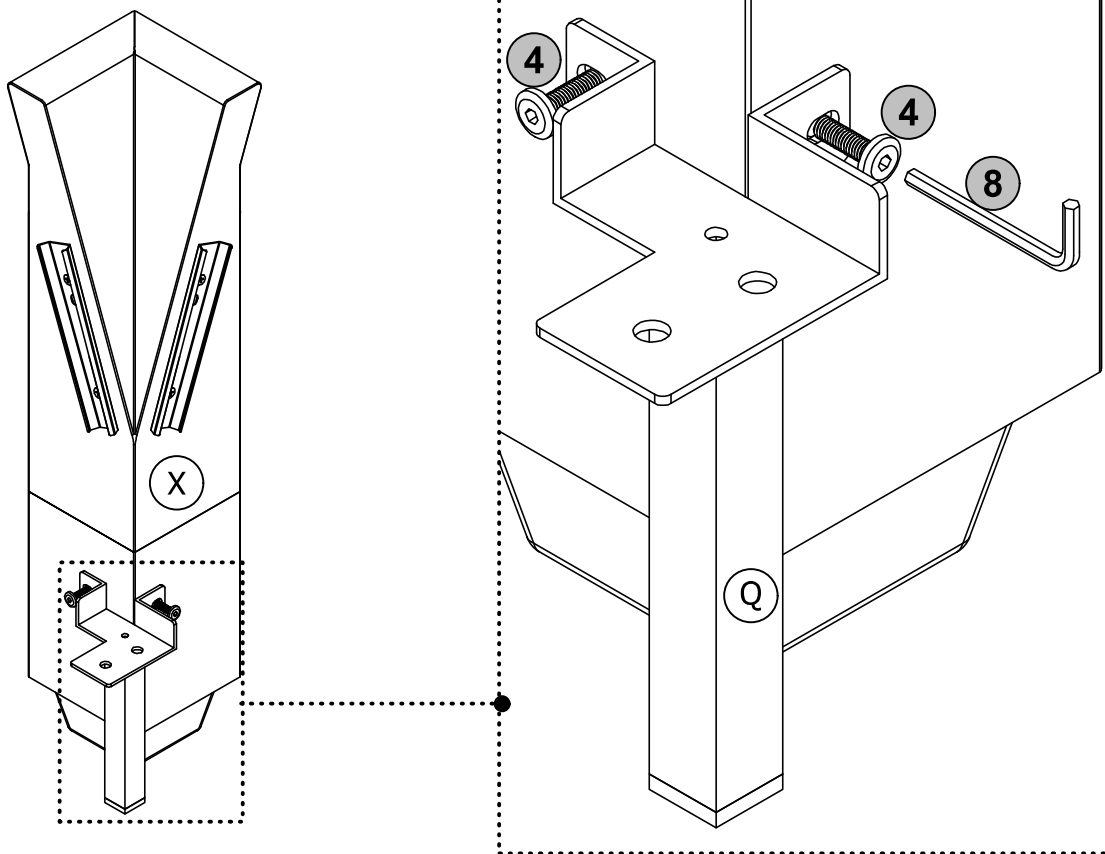
STEP 7:

Manually screw Middle leg **S** to Rear Rail **F**, as shown.



STEP 8:

Attach Corner's Rear Leg **Q** to Corner **X** with bolts **4**, as shown.



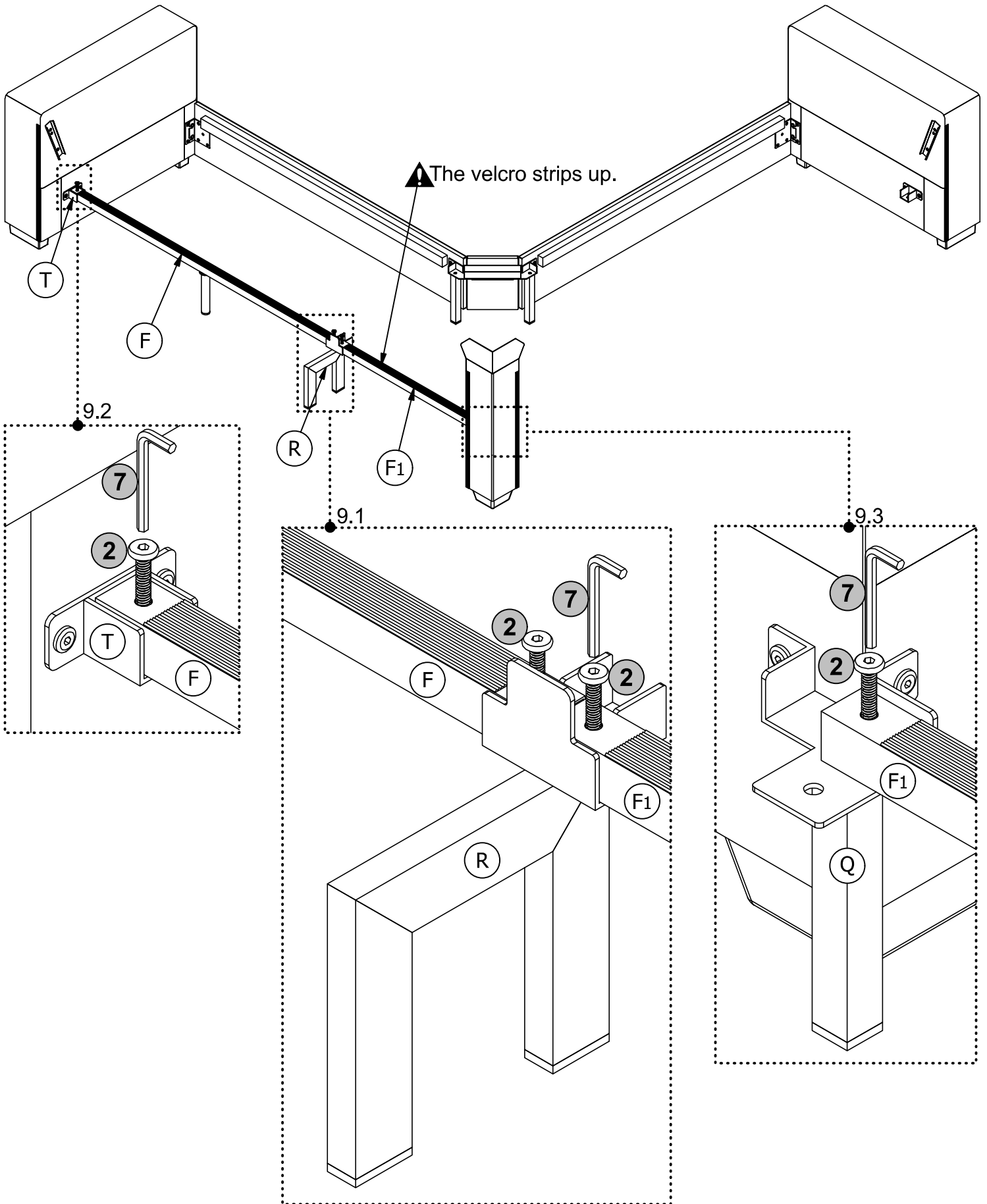
STEP 9:

Attach Rear Rail **F** & **F1** to Bracket **T**, Corner's Rear Leg **Q** & Rear Leg **R**.

9.1 Attach Rear Rail **F** & **F1** to Rear Leg **R** with bolts **2**.

9.2 Attach Rear Rail **F** to Bracket **T** with bolts **2**.

9.3 Attach Rear Rail **F1** to Corner's Rear Leg **Q** with bolts **2**, as shown.



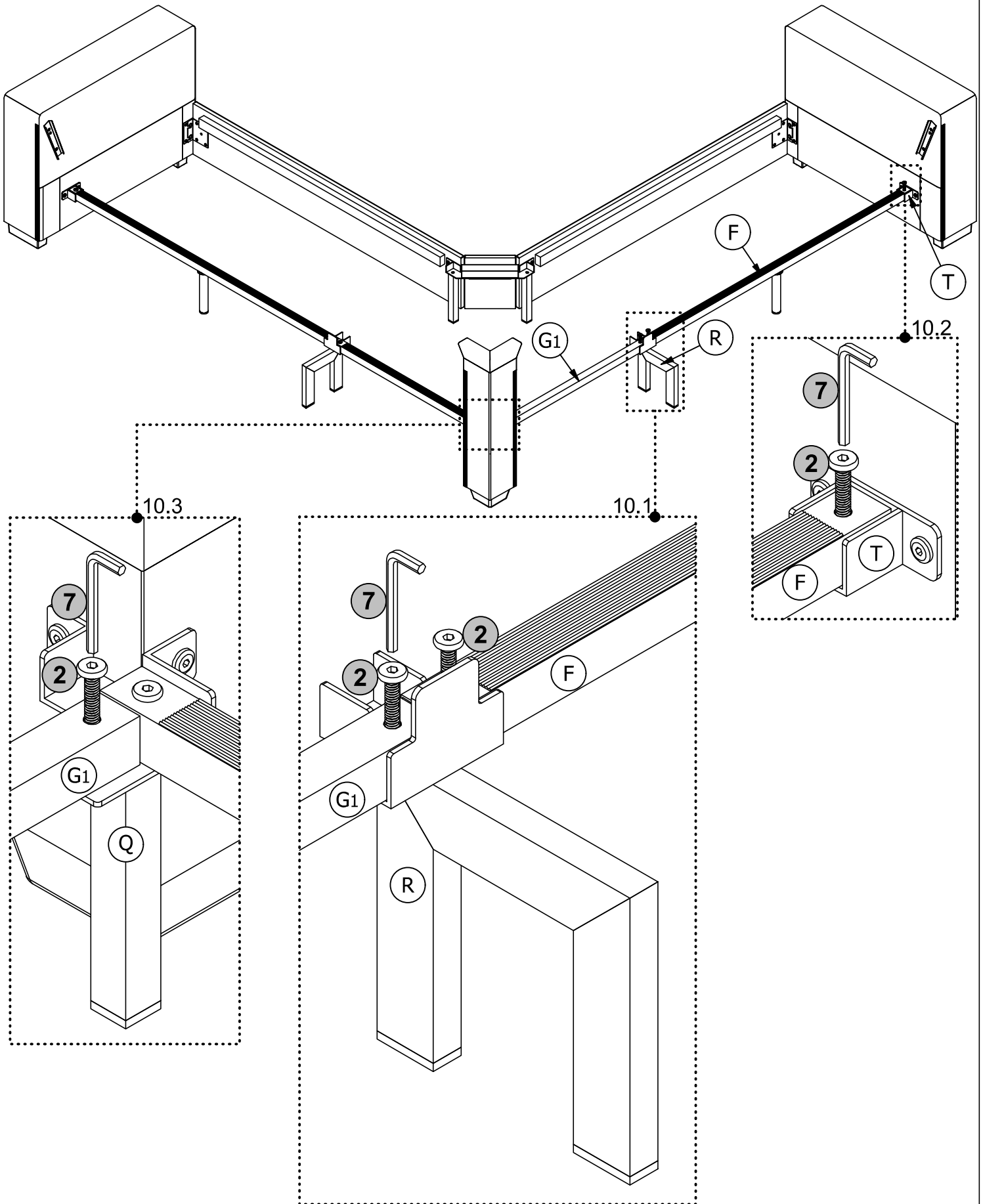
STEP 10:

Attach Rear Rail **F** & **G1** to Bracket **T**, Corner's Rear Leg **Q** & Rear Leg **R**.

10.1 Attach Rear Rail **F** & **G1** to Rear Leg **R** with bolts **2**.

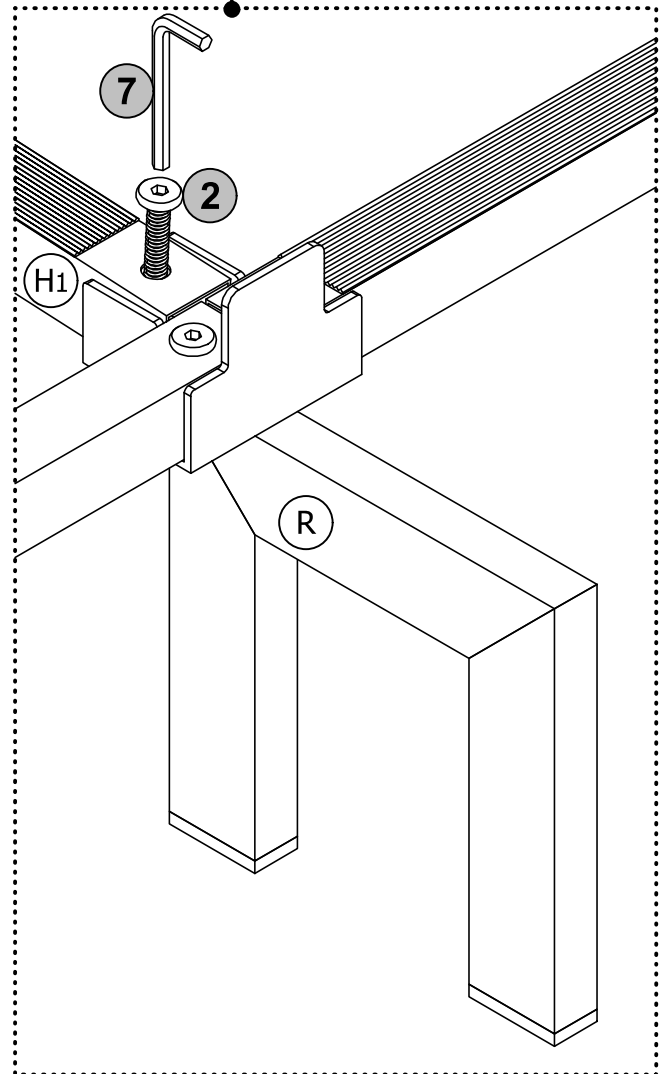
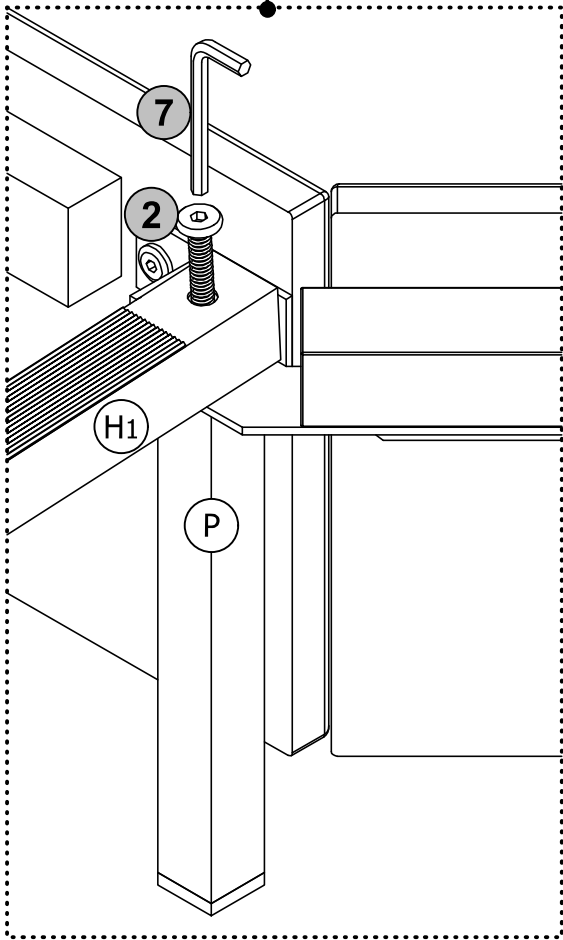
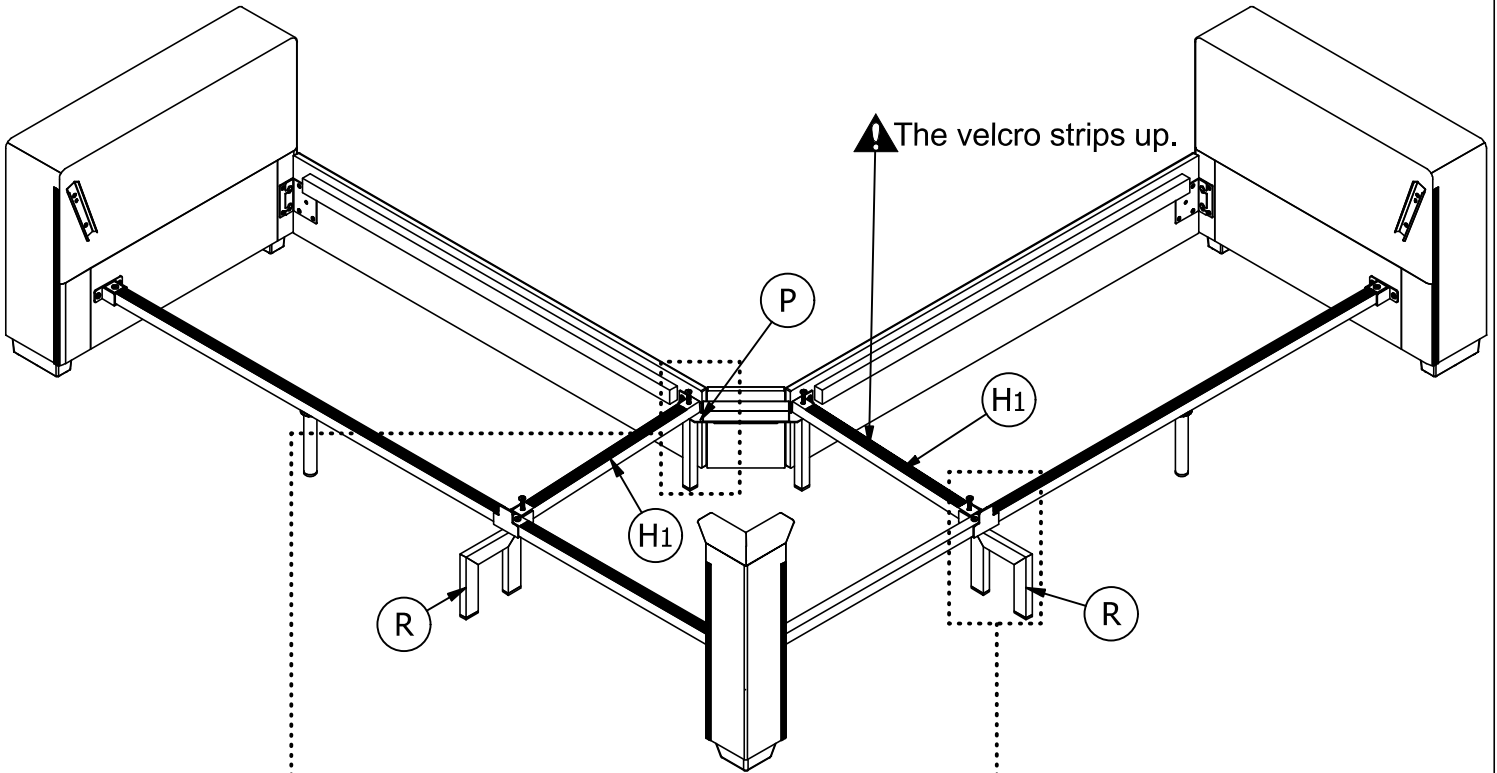
10.2 Attach Rear Rail **F** to Bracket **T** with bolts **2**.

10.3 Attach Rear Rail **G1** to Corner's Rear Leg **Q** with bolts **2**, as shown.



STEP 11:

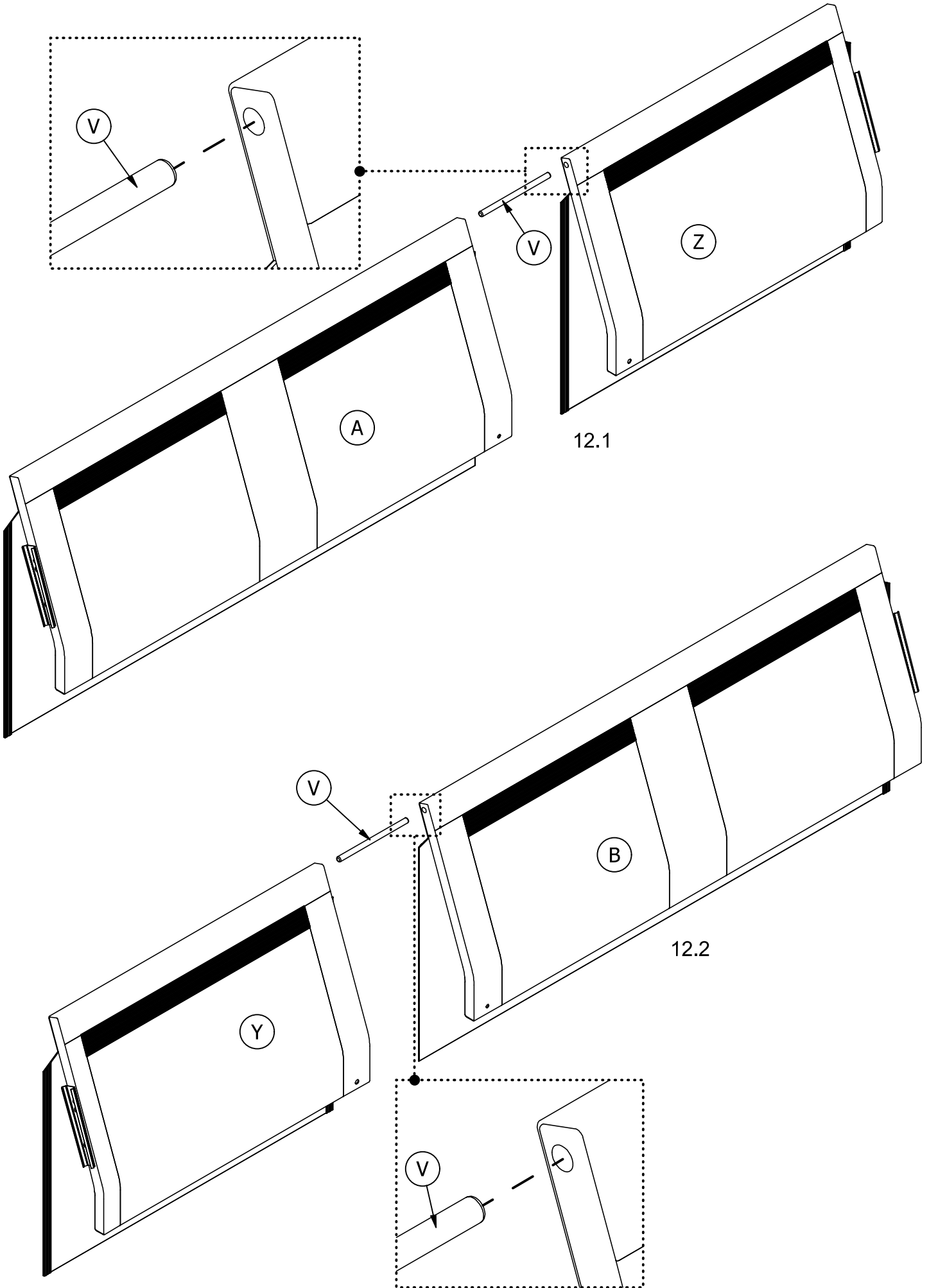
Attach Middle Connector **H1** x 2 to Front Leg **P** & Rear Leg **R** with bolts **2**, as shown.



STEP 12:

12.1 Connect Back Frame **A** & **Z** using Connector **V**.

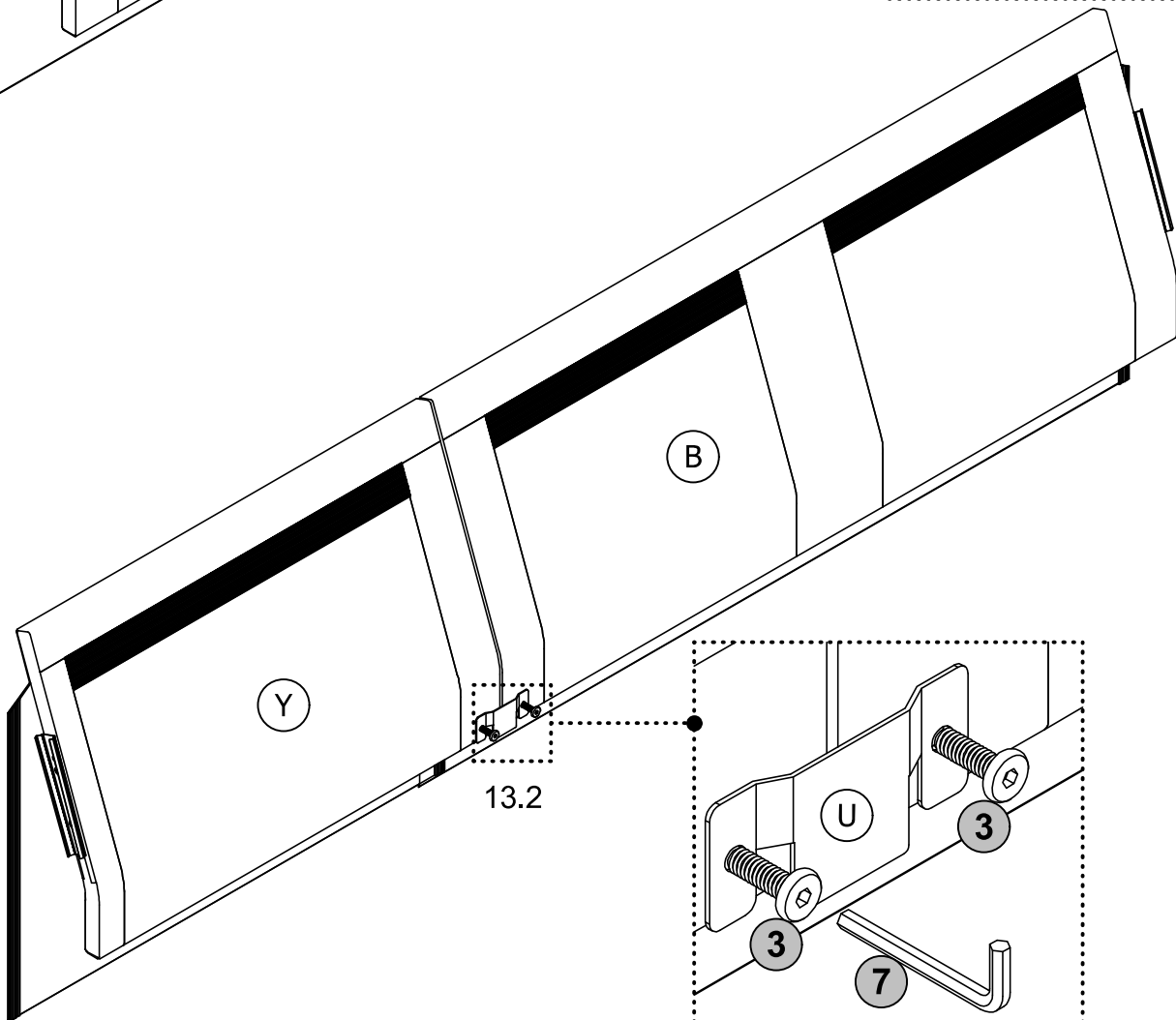
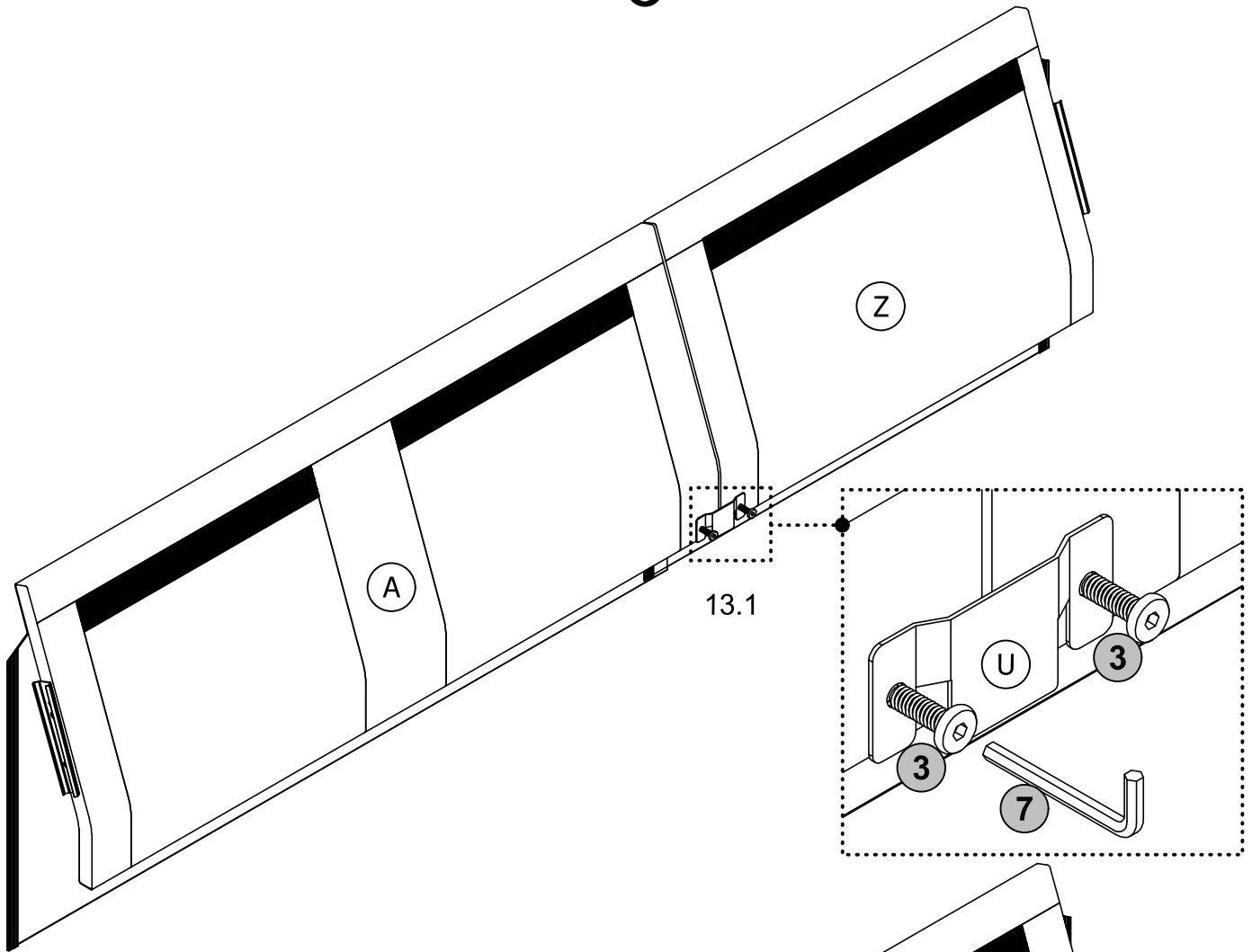
12.2 Connect Back Frame **B** & **Y** using Connector **V**, as shown.



STEP 13:

13.1 Attach Plug-in **U** to Back Frame **A** & **Z** with bolt **3**.

13.2 Attach Plug-in **U** to Back Frame **B** & **Y** with bolt **3**, as shown.

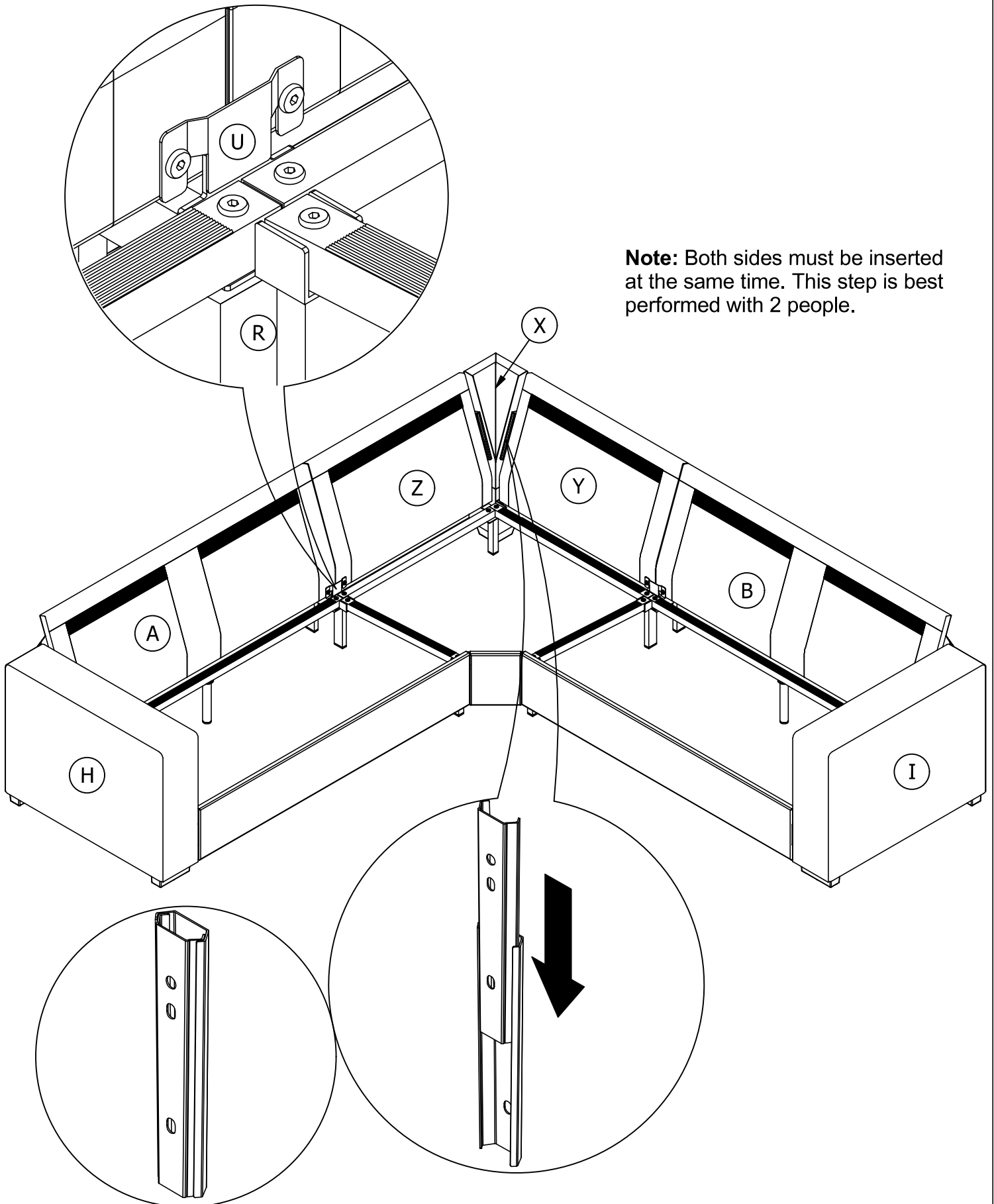


STEP 14:

Attach Back Frame **A & B** and Corner's Back Frame **Y & Z** to Armrest **H & I** and Corner **X** by inserting the brackets on Back Frame **A & B** and Corner's Back Frame **Y & Z** to the metal glides on Armrest **H & I** and Corner **X**.

Attach Back Frame **A & B** and Corner's Back Frame **Y & Z** to Rear Leg **R x 2** by inserting the Plug-in **U x 2** on Back Frame **A & B** and Corner's Back Frame **Y & Z** to Rear Leg **R x 2**.

Push Back Frame **A & B** and Corner's Back Frame **Y & Z** downwards to secure it into place.



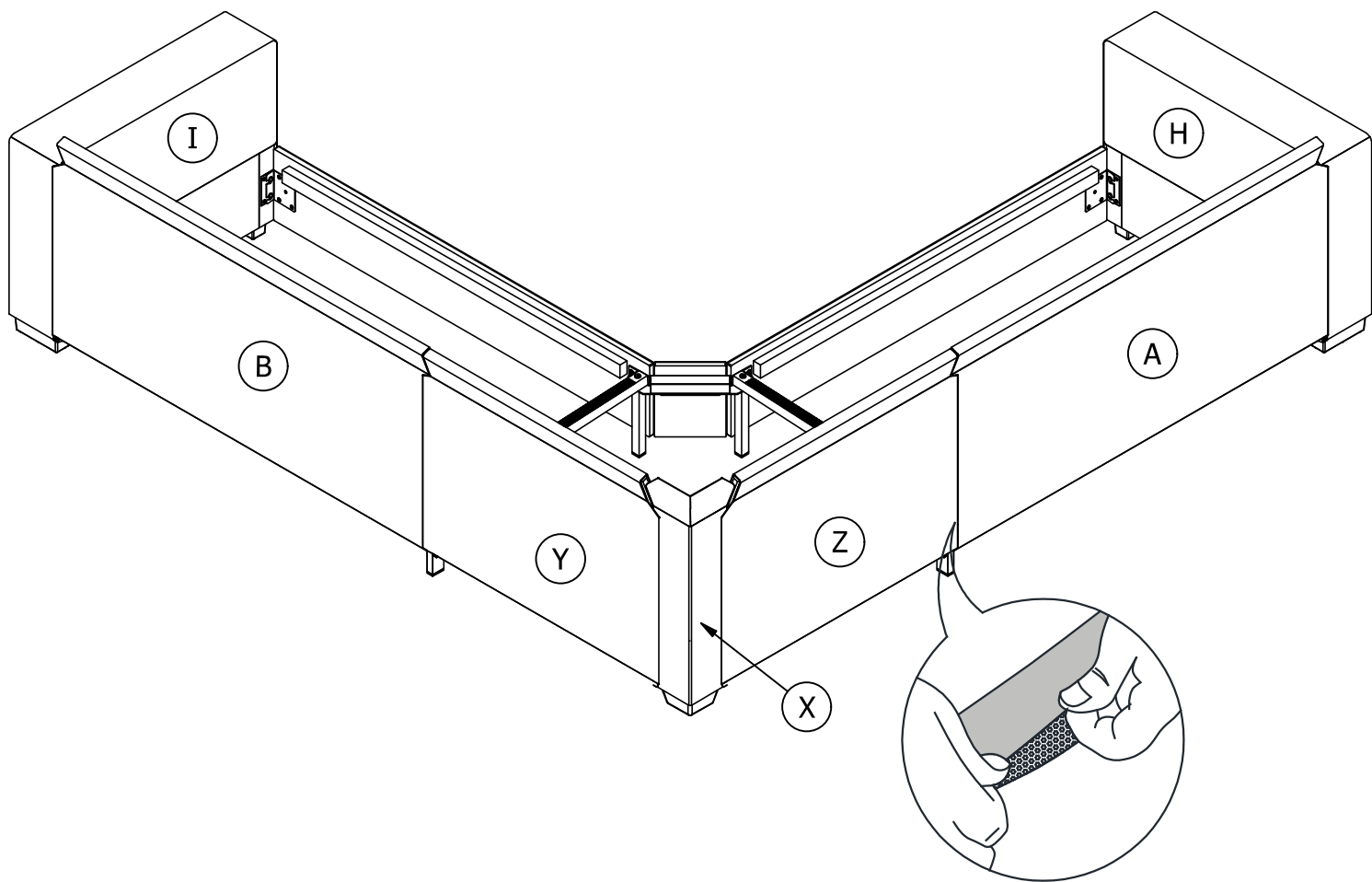
Note: Both sides must be inserted at the same time. This step is best performed with 2 people.

STEP 15:

Stick fabric cover on Back Frame **A** & **B** to Armrests **H** & **I** with the velcro strips.

Stick fabric cover on Corner's Back Frame **Y** & **Z** to Corner **X** with the velcro strips.

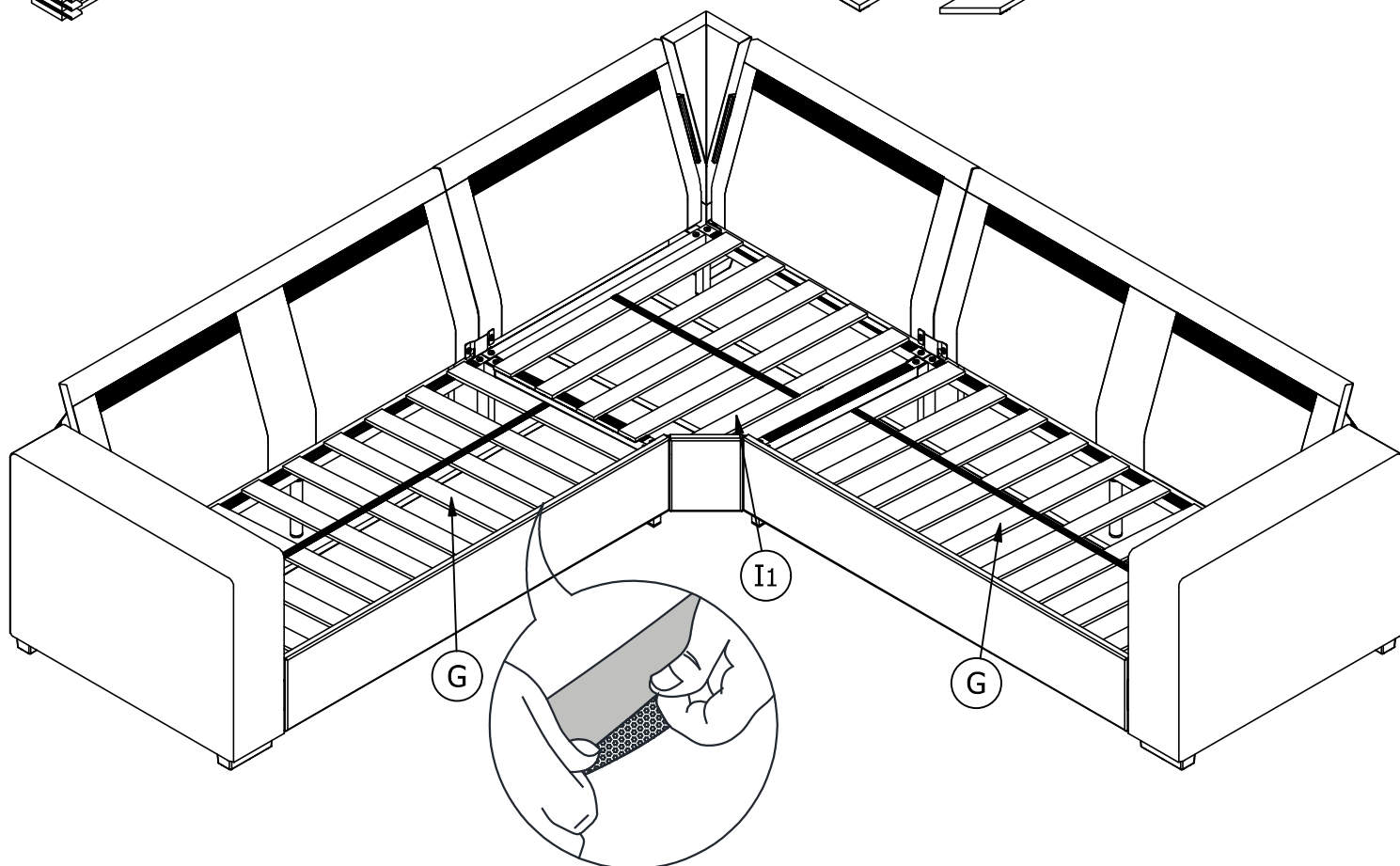
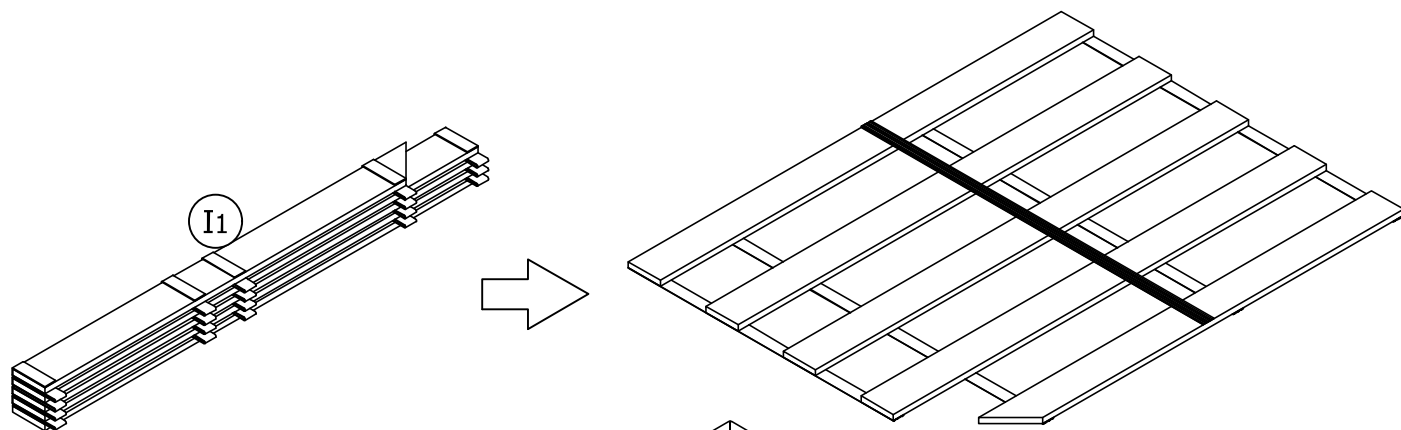
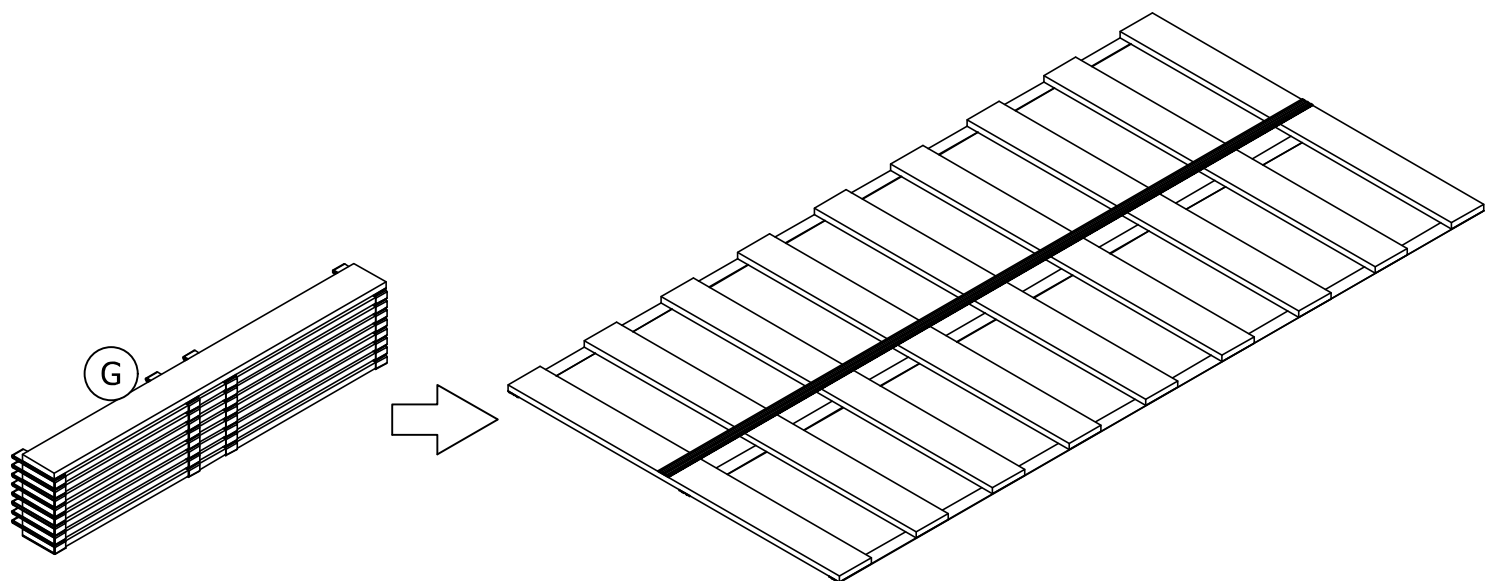
Stick fabric cover on Corner's Back Frame **Y** & **Z** to Back Frame **A** & **B** with the velcro strips, as shown.



STEP 16:

Unfold Seat Panel **G** x 2 and Corner's Seat Panel **I1**.

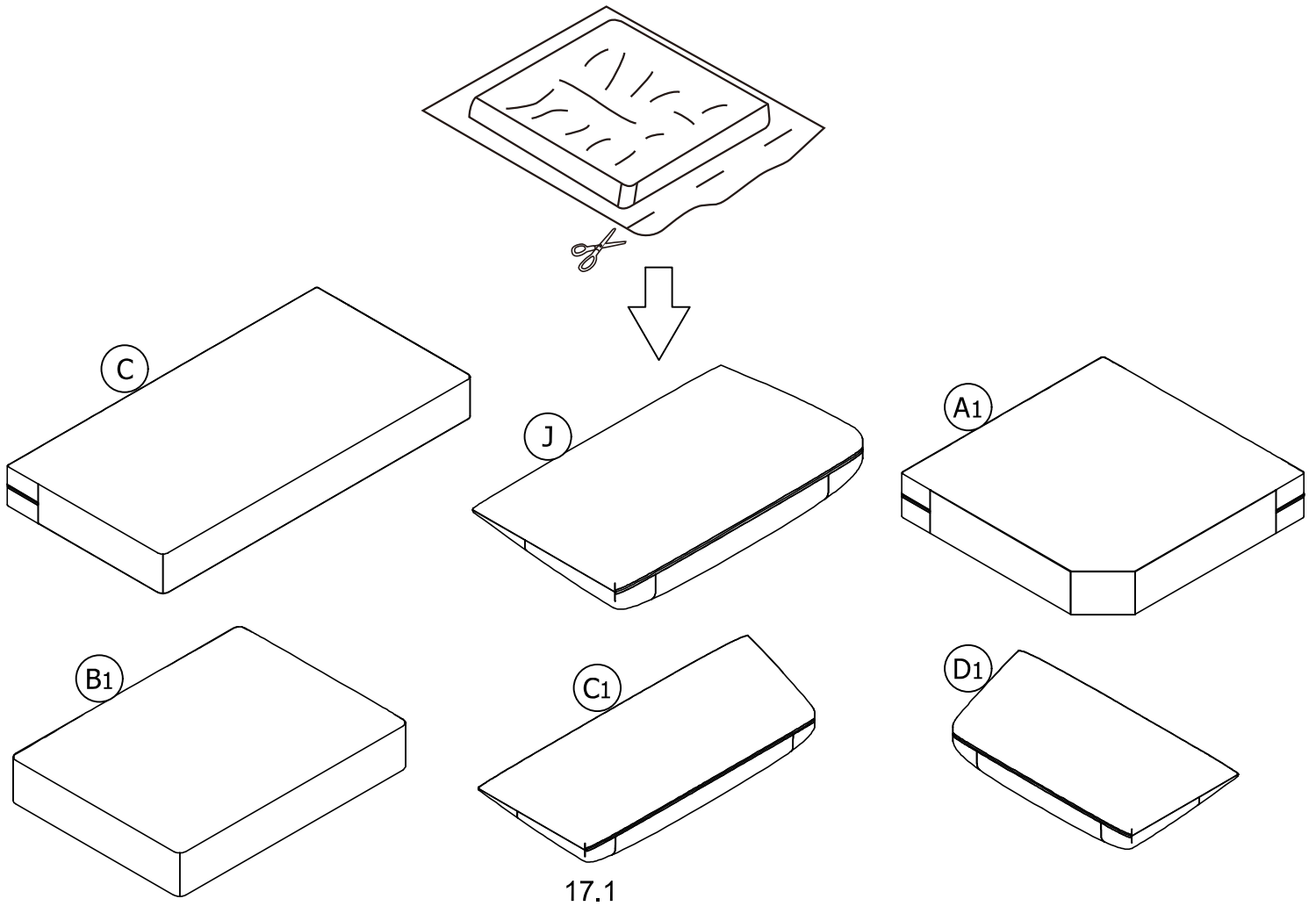
Place Seat Panel **G** x 2 and Corner's Seat Panel **I1** onto the seat using the Velcro strips.



STEP 17:

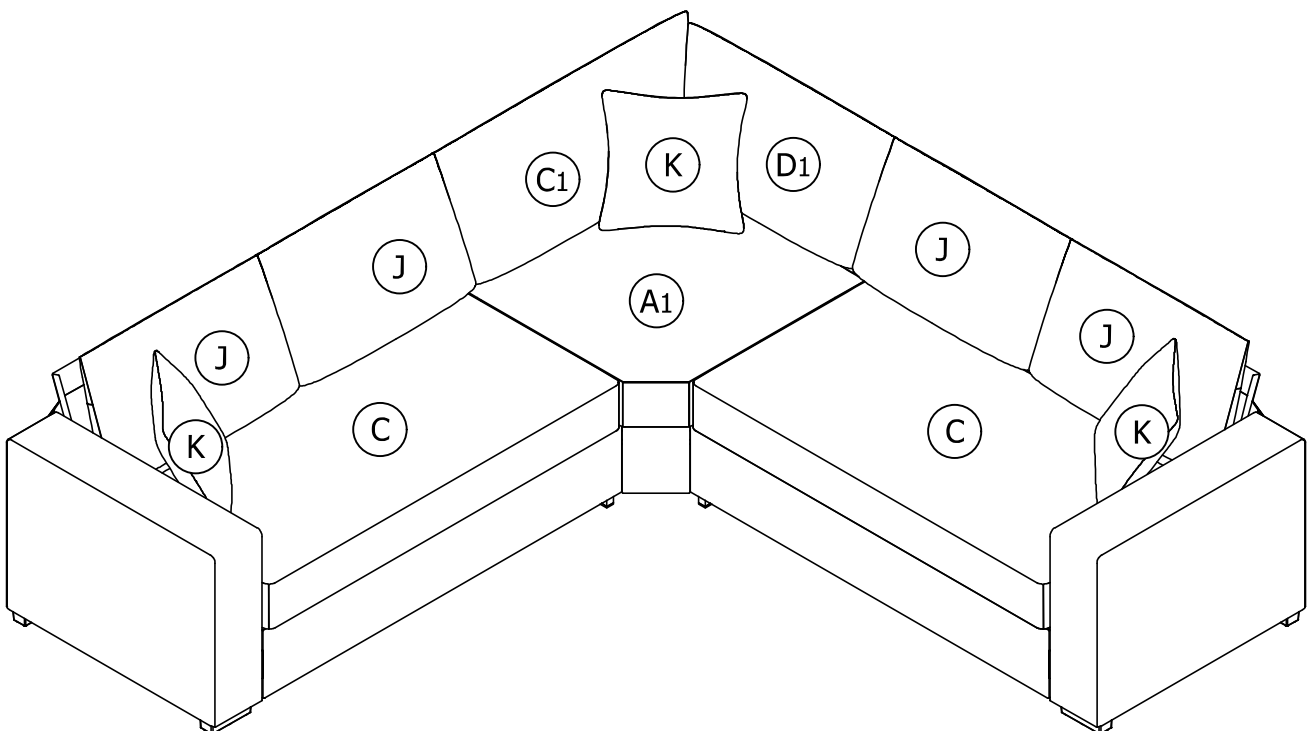
17.1 Remove the Cushions from their vacuum sealed package.

17.2 Place the Cushions onto the sofa using the velcro strips.



17.1

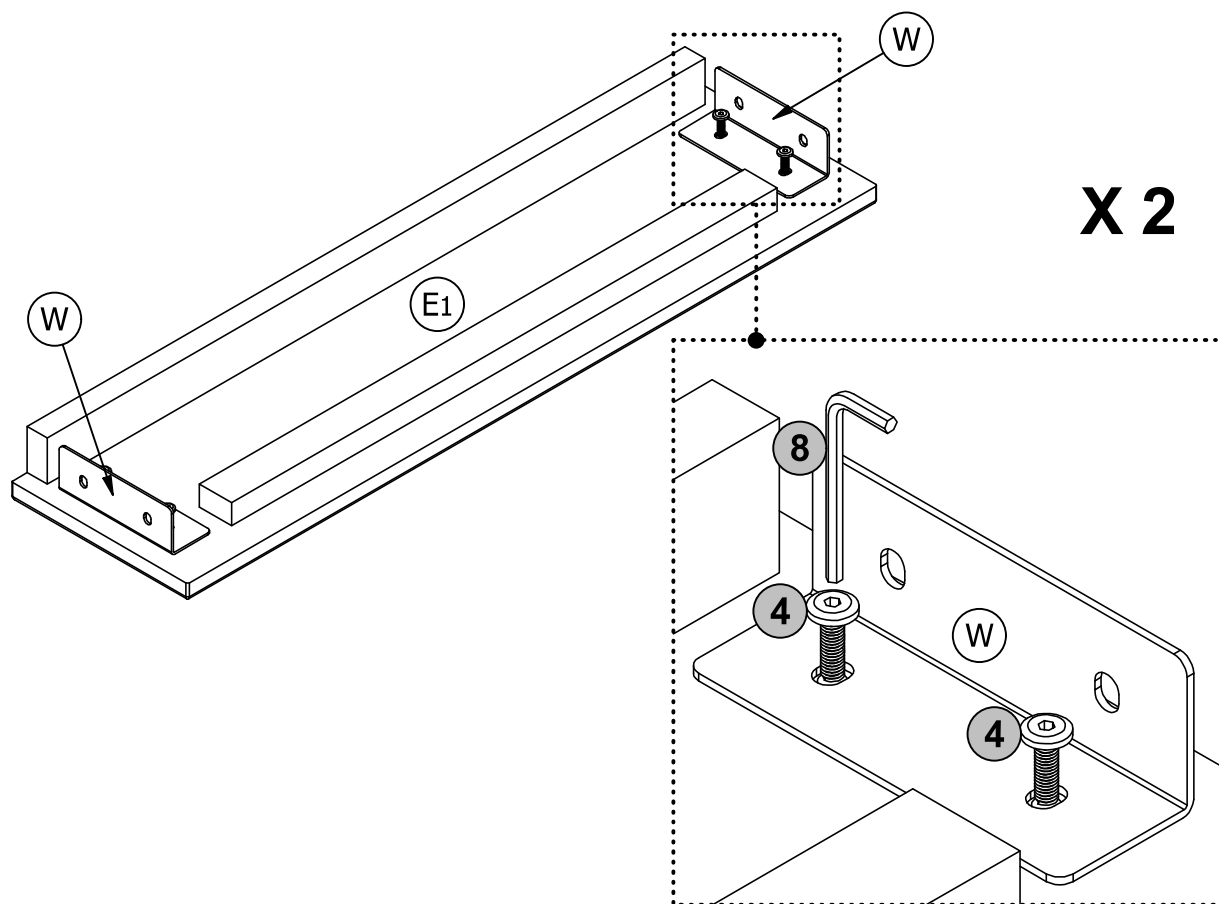
Note: The seat cushions have been vacuum packed for transportation purposes. After unpacking, please allow up to 72 hours so that they can return to their original shape.



17.2

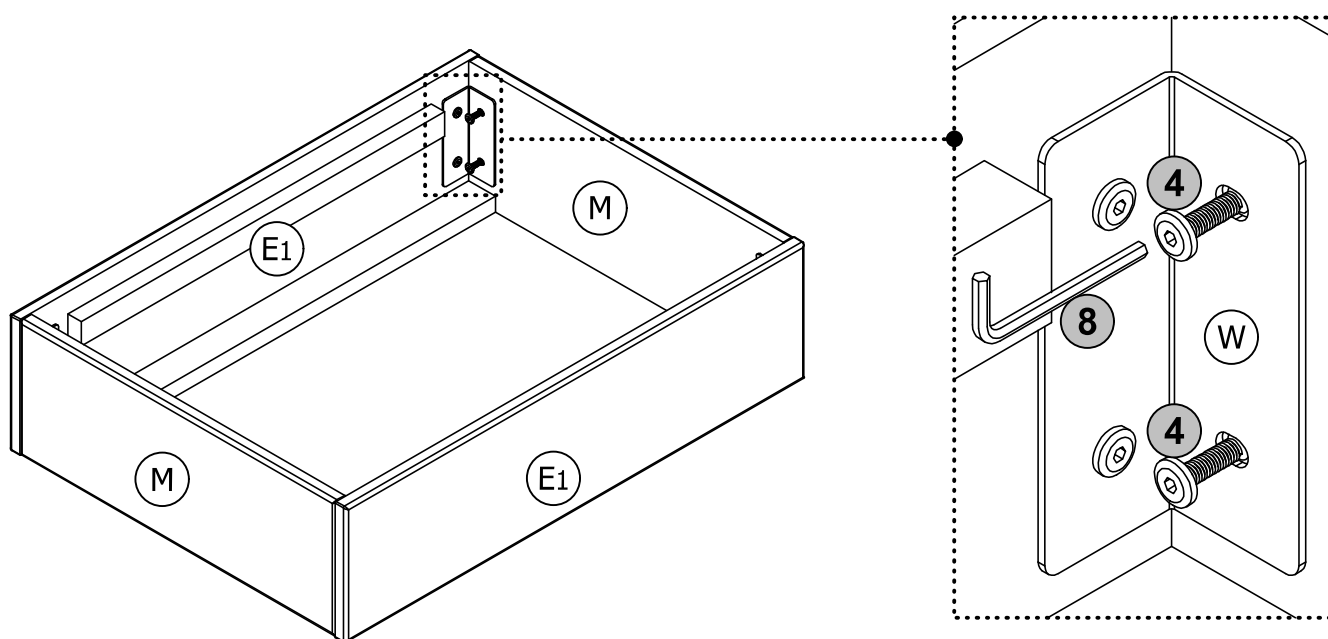
STEP 18:

Attach Brackets **W** x 2 to Plate **E1** with Bolt **4**, as shown.



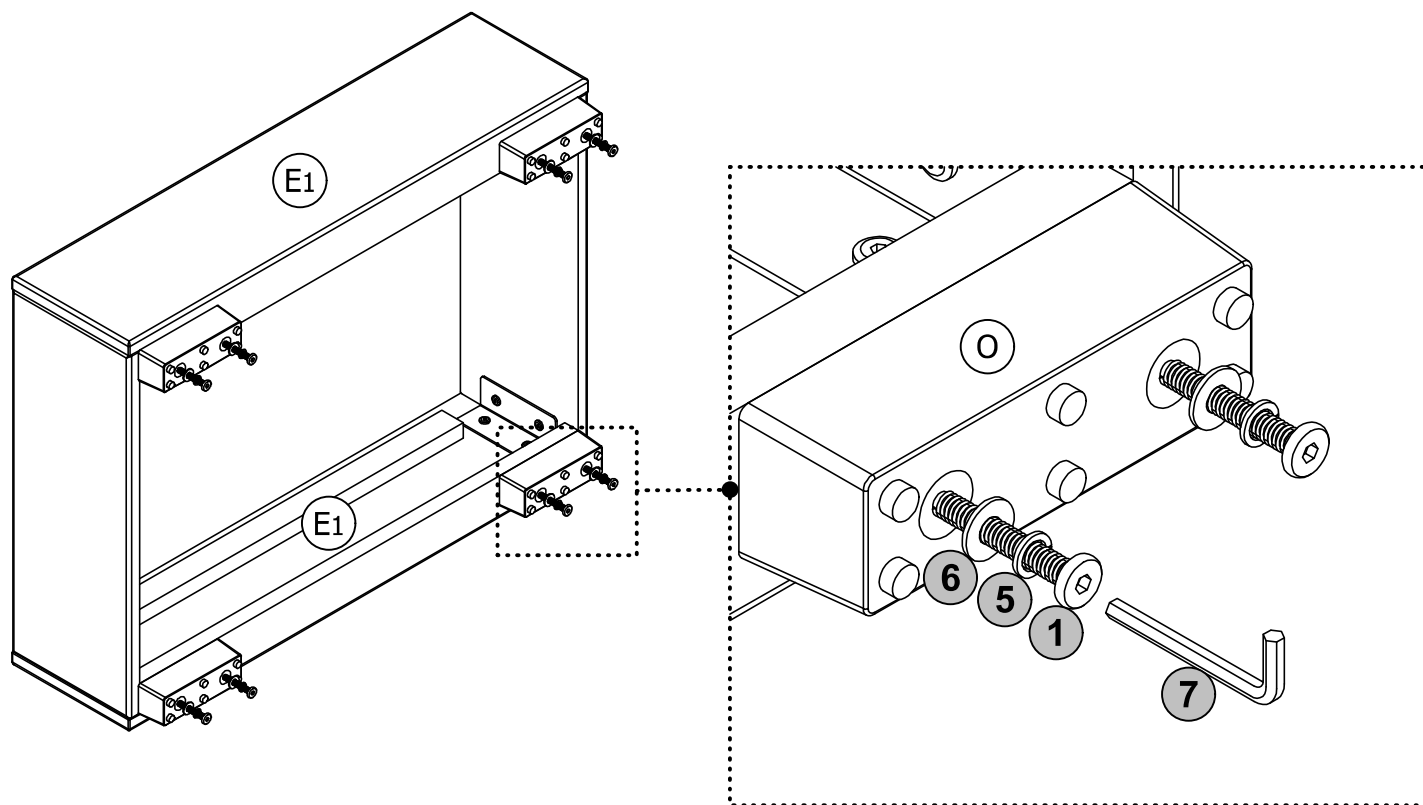
STEP 19:

Attach Plate **M** x 2 to Plate **E1** x 2 with Bolt **4** using Brackets **W** x 4, as shown.



STEP 20:

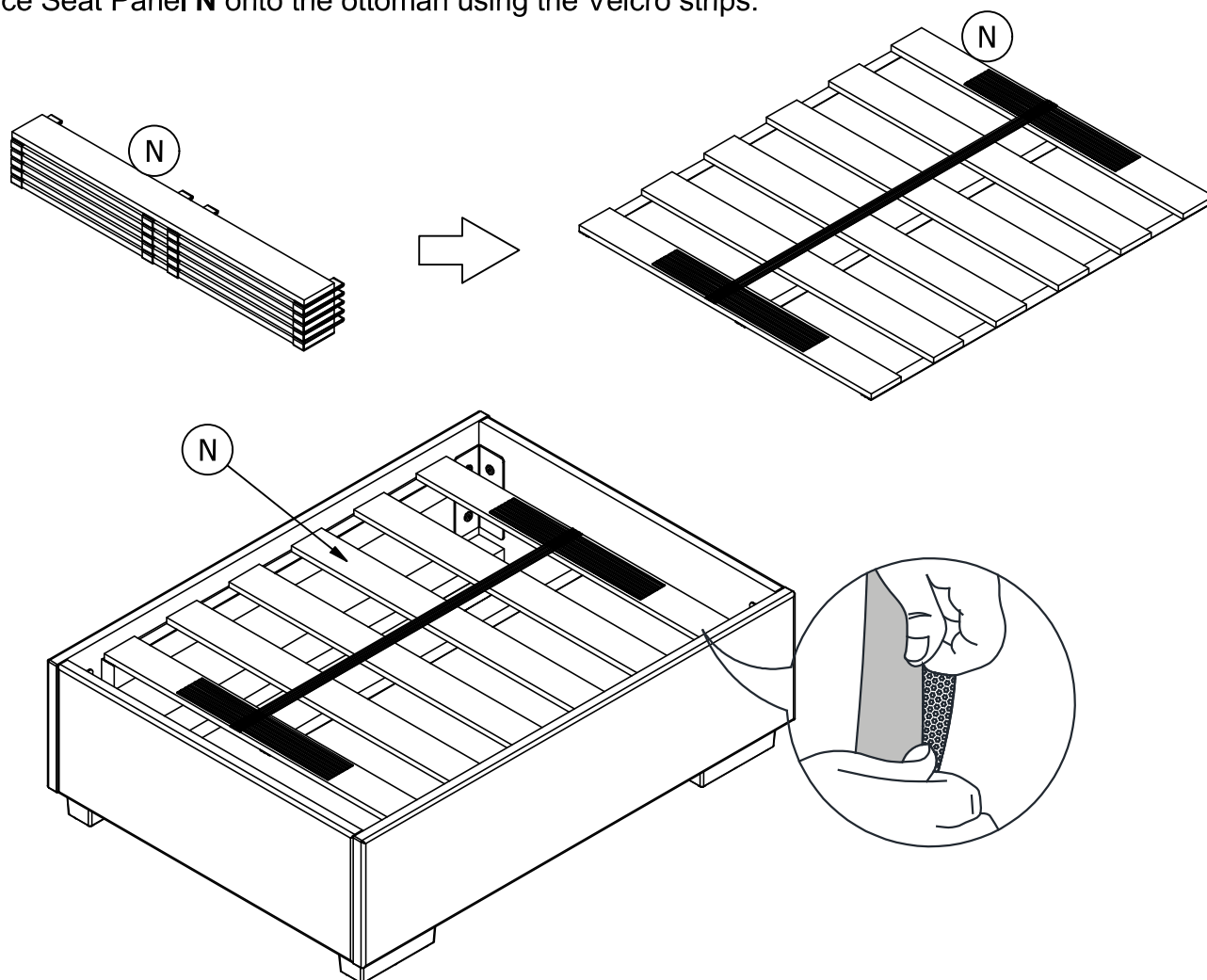
Attach Legs **O** x 4 to Panel **E1** with Bolts **1**, Spring Washers **5** and Flat Washers **6**, as shown.



STEP 21:

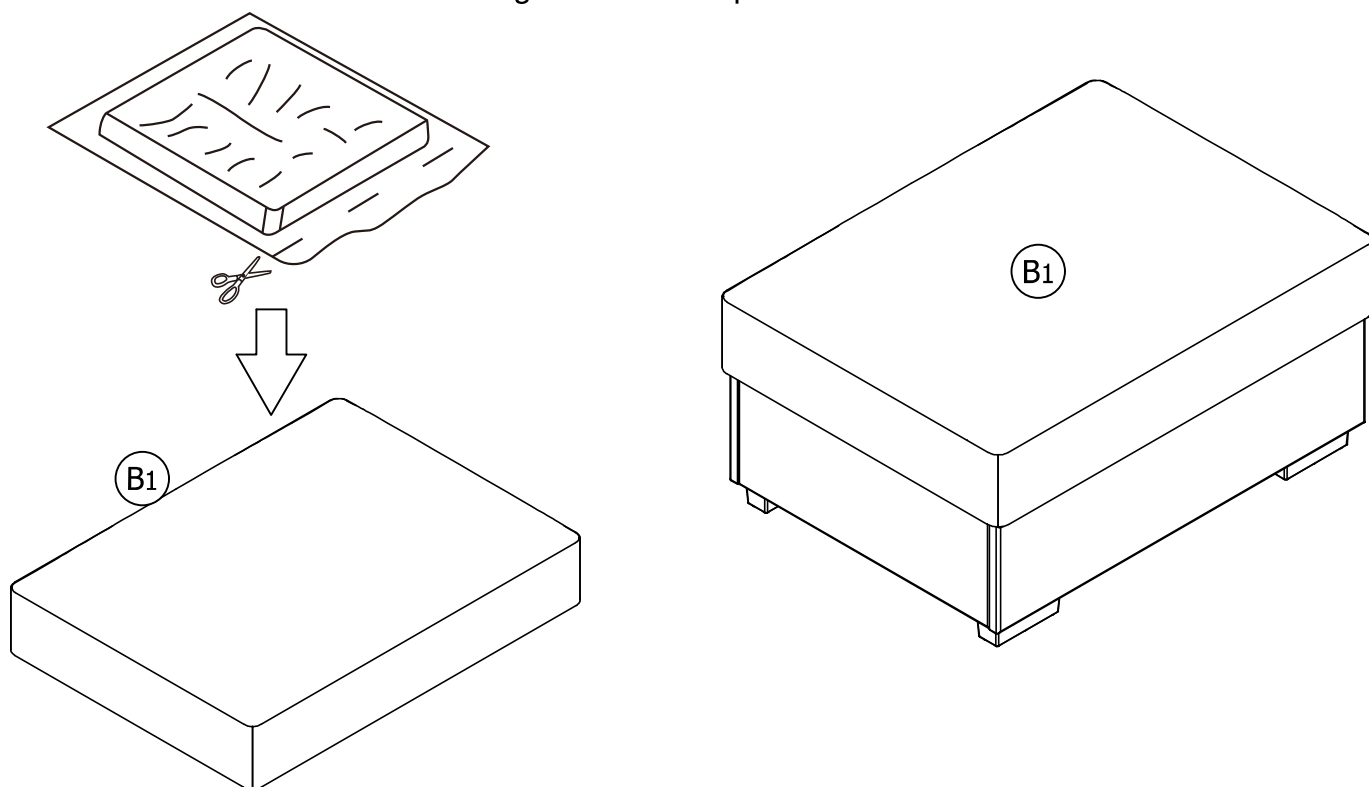
Unfold Seat Panel **N**.

Place Seat Panel **N** onto the ottoman using the Velcro strips.



STEP 22:

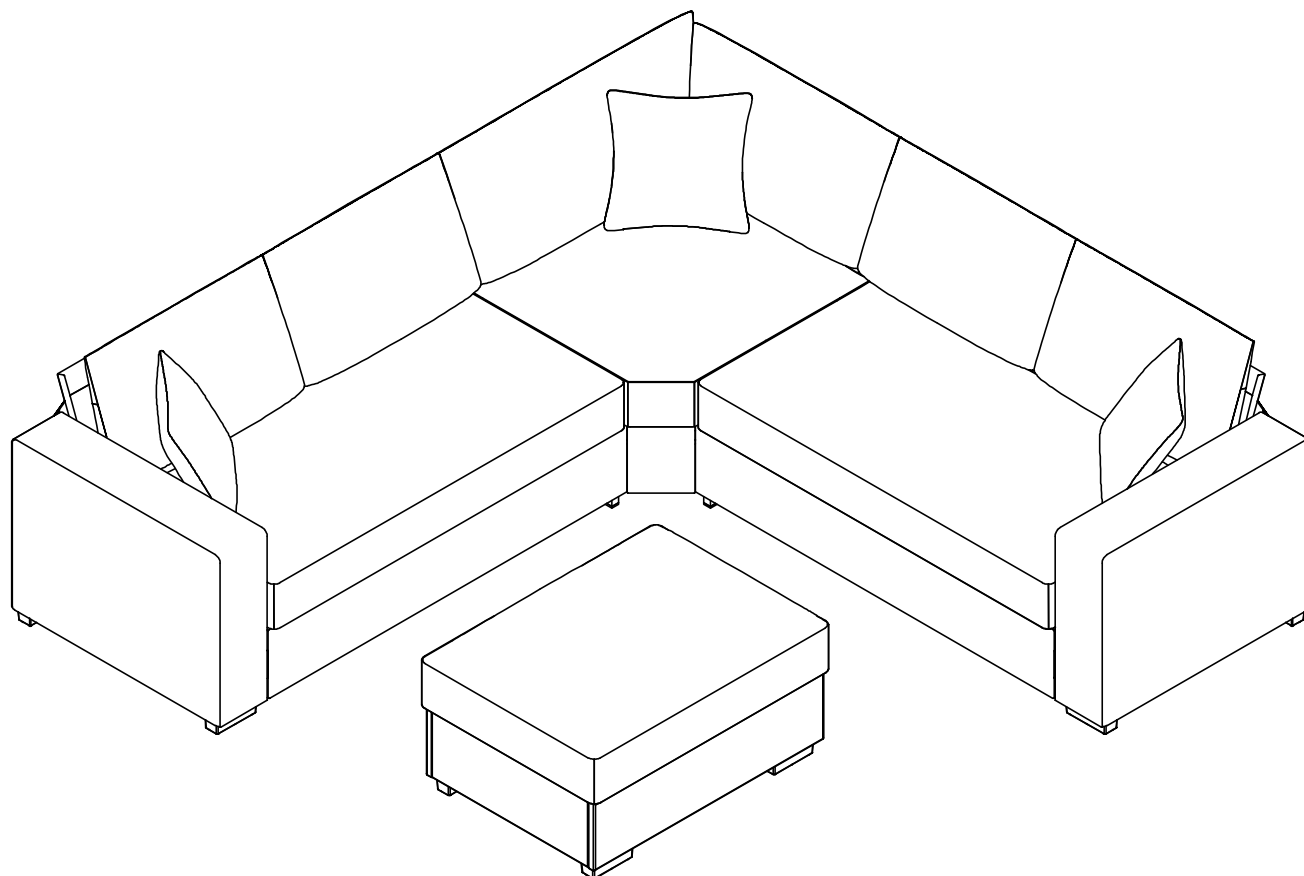
Remove the Cushion **B1** from its vacuum sealed package.
Place Cushion **B1** onto the ottoman using the Velcro strips.



Note: The cushion has been vacuum packed for transportation purposes. After unpacking, please allow up to 72 hours so that they can return to their original shape.

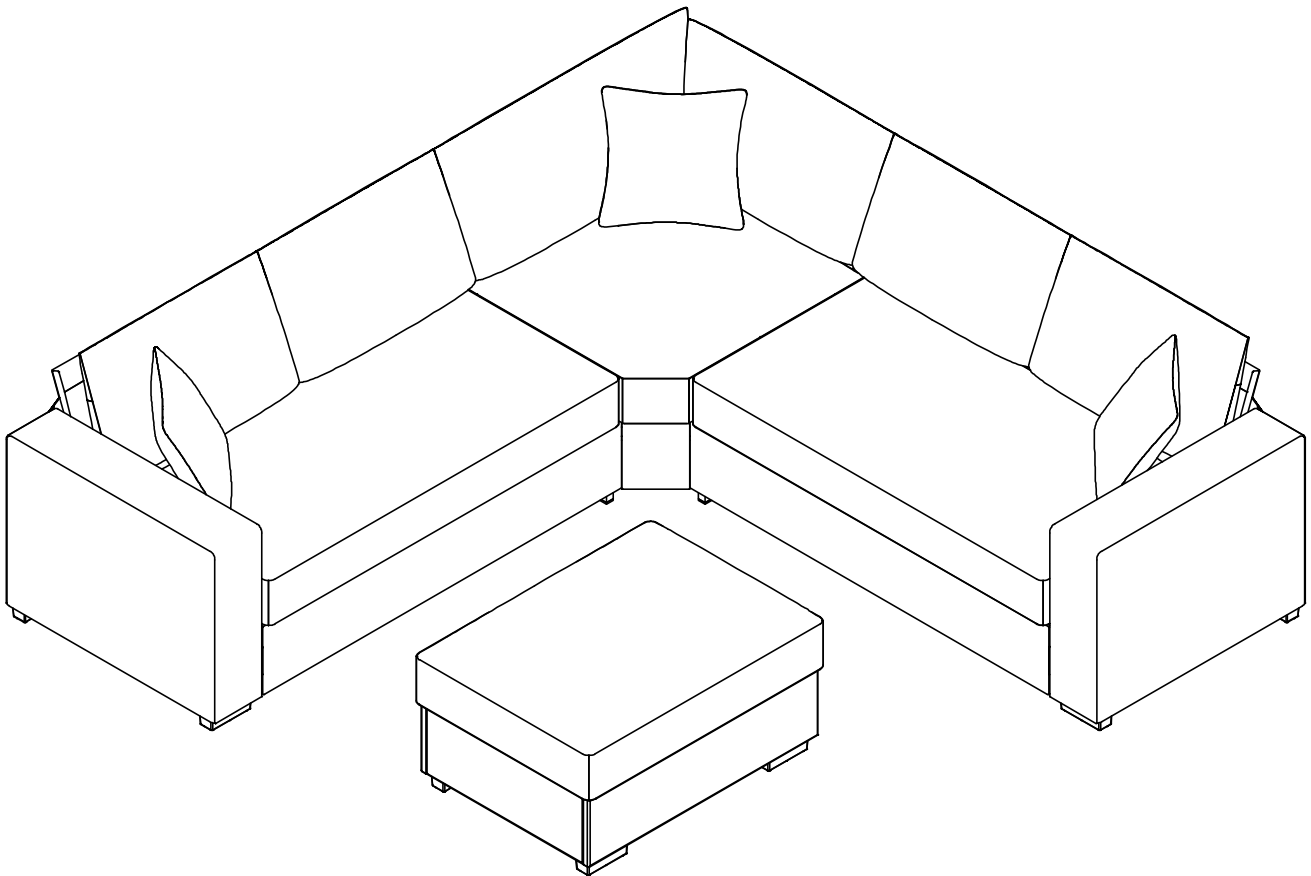
STEP 23:

Place ottoman in front of the assembled sofa.



Friendly Reminder:

1. During installation, ensure plastic films and boxes are kept out of the way to prevent tripping. Keep children away from the process to avoid potential hazards.
2. When cleaning the product, use a soft cloth for gentle wiping or specialized cleaning products. Avoid using chemicals or abrasive cleaners.
3. Do not exceed the product's maximum load capacity, as this may result in damage or personal injury.
4. For safety reasons, never leave babies or children unattended on the product to prevent accidents.
5. When moving the product, enlist the help of at least one people to carefully transport it. If needed, disassemble and reassemble the product for easier relocation.



Weight Limit: 1800 LB