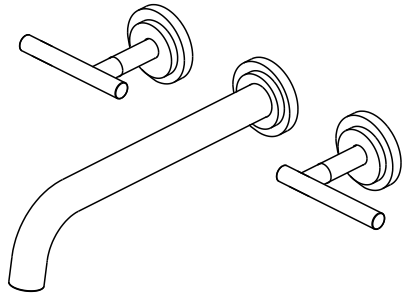


TWO-HANDLE WALL MOUNT TUB FILLER



3082800

You may need



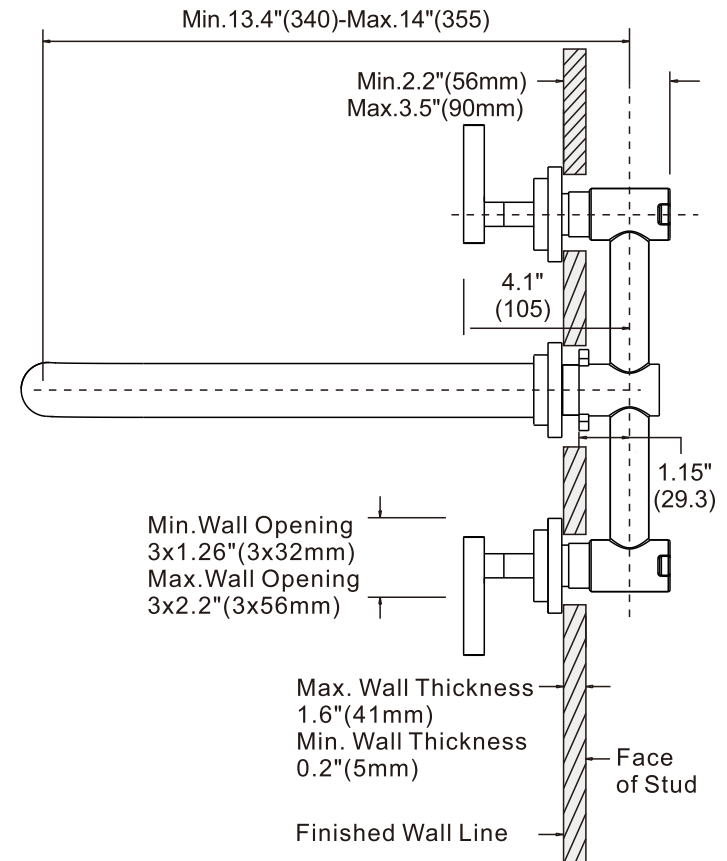
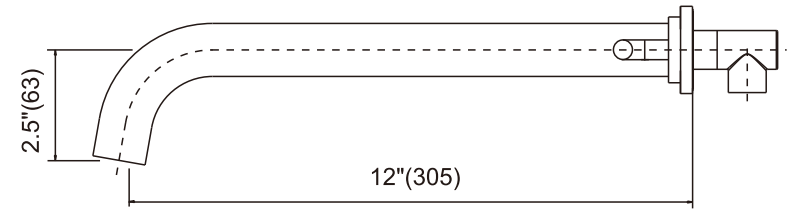
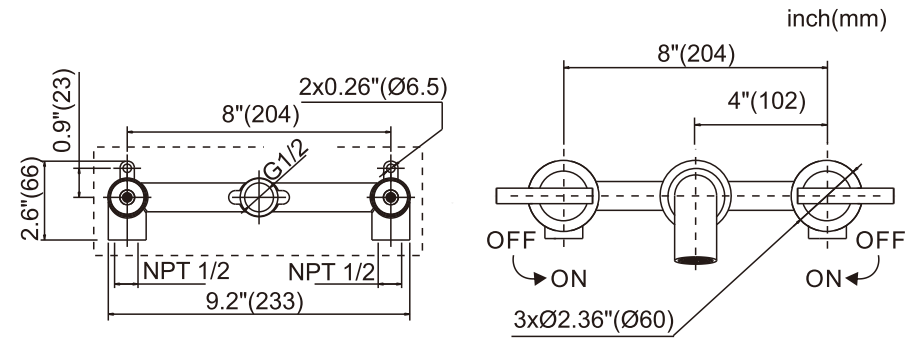
For easy installation of your faucet you will need:

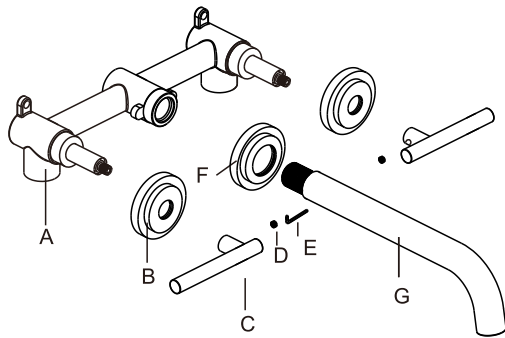
To READ ALL the instructions completely before beginning.

To READ ALL warnings, care, and maintenance information.

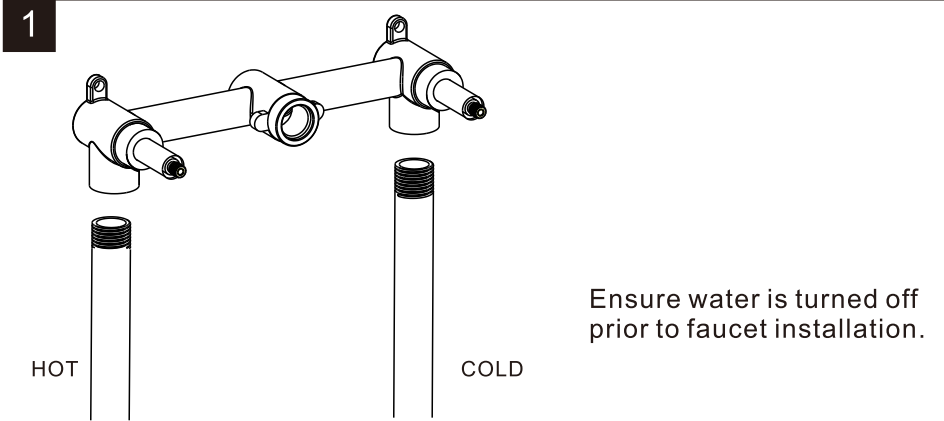
Cleaning and Care

Care should be given to the cleaning of this product. Although its finish is extremely durable, it can be damaged by harsh abrasives or polish. To clean, simply wipe gently with a damp cloth and blot dry with a soft towel.

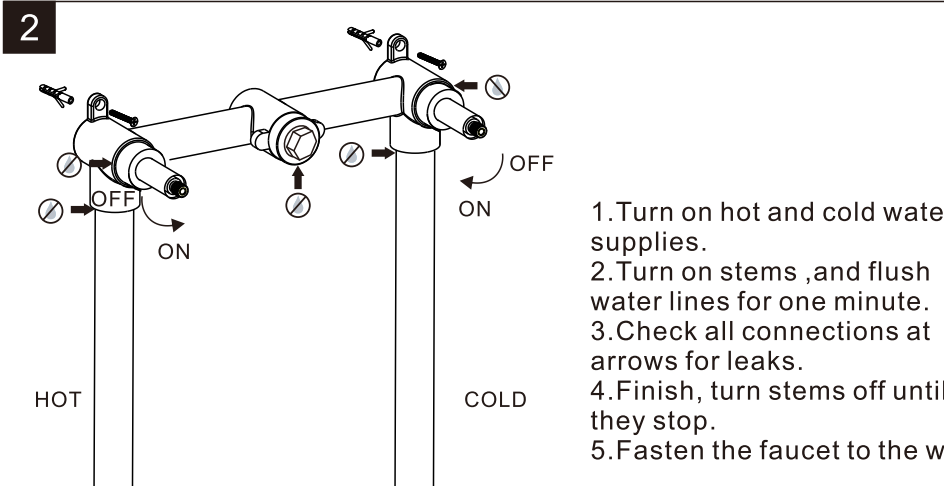




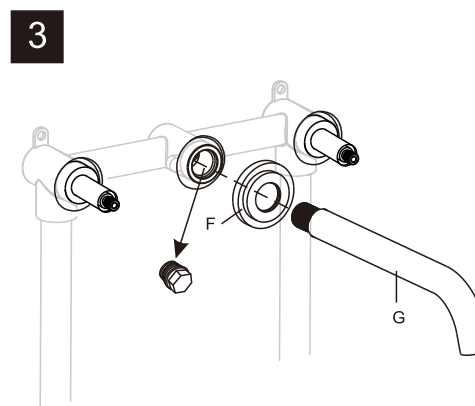
- A. Faucet Body
- B. Handle Escutcheon (X2)
- C. Handle (x2)
- D. Set Screw (x2)
- E. 3/32" Hex Key
- F. Spout Escutcheon
- G. Spout



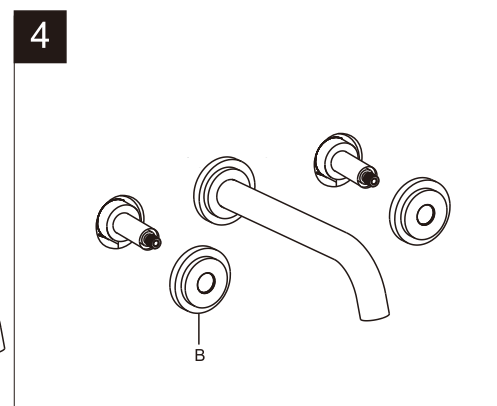
Ensure water is turned off prior to faucet installation.



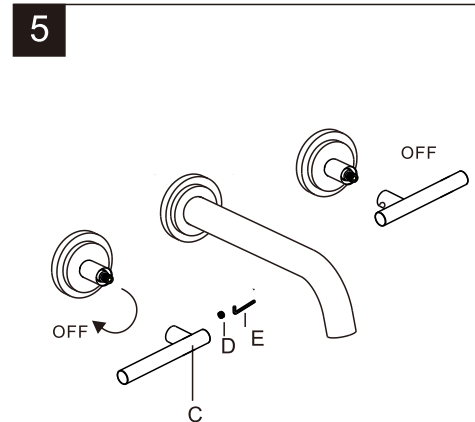
1. Turn on hot and cold water supplies.
2. Turn on stems, and flush water lines for one minute.
3. Check all connections at arrows for leaks.
4. Finish, turn stems off until they stop.
5. Fasten the faucet to the wall.



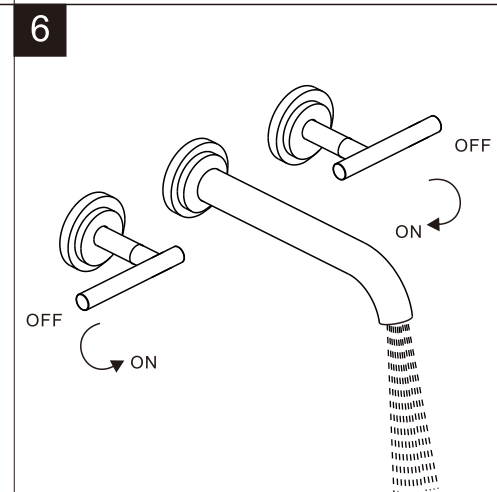
1. Apply teflon tape in a clockwise
2. Install spout (G) with spout escutcheon (F) onto center valve.
3. Tighten spout (G) with wrench.
4. Ensure spout (F) is engaged to wall.



1. Tighten handle escutcheon (B) with hand. ensure handle escutcheon (B) is engaged to wall.



- Turn stems off until they stop.
1. Place Set Screw (D) onto Hex Wrench (E) and insert into handle (C).
 2. Tighten Set Screw (E).



1. Turn on both handles and run water for 15 seconds.
2. Check all connections at arrows.
3. Finish, turn stems off until they stop.