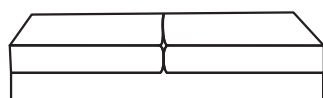
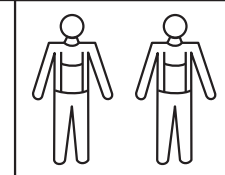


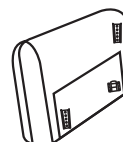
# ASSEMBLY INSTRUCTION



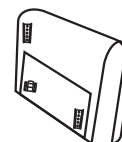
A\*1



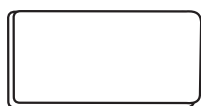
B\*1



C\*1LEFT



C\*1RIGHT



D\*2



E\*2



F\*2



G\*2



H\*1

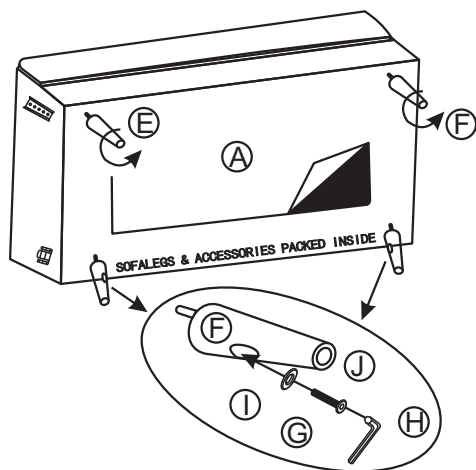


I\*2

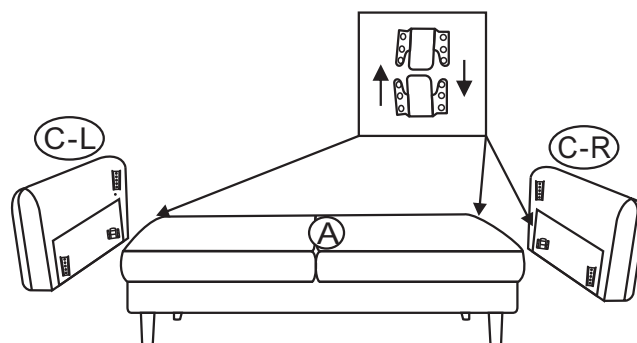


J\*4

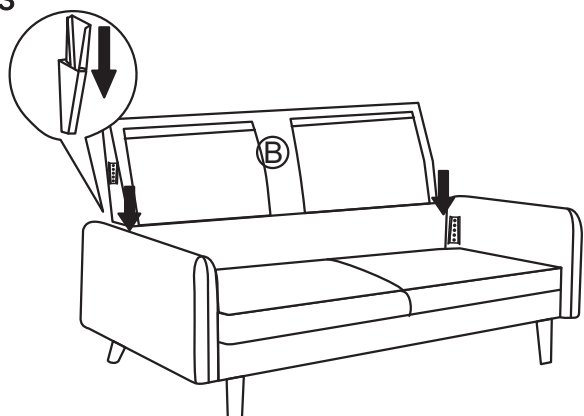
## STEP1



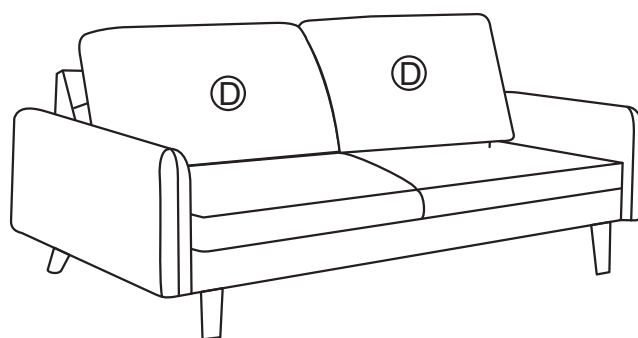
## STEP2



## STEP3

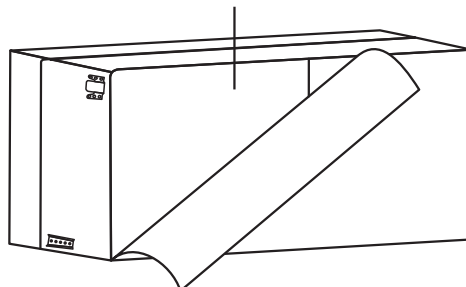


## STEP4



## KINDLY REMINDER

D\*2 、 E\*2 、 F\*2 、 G\*2 、 H\*1 、 I\*2、 J\*4  
PACKED IN LOVESEAT



CAREFULLY UNPACK AND PLACE THE LOVESEAT BODY (A) ON A CLEAN FLAT SURFACE TO SHOW THE BASE AS SHOWN.  
UNPACK PARTS FROM THE STORAGE COMPARTMENT