

Assembly Manual

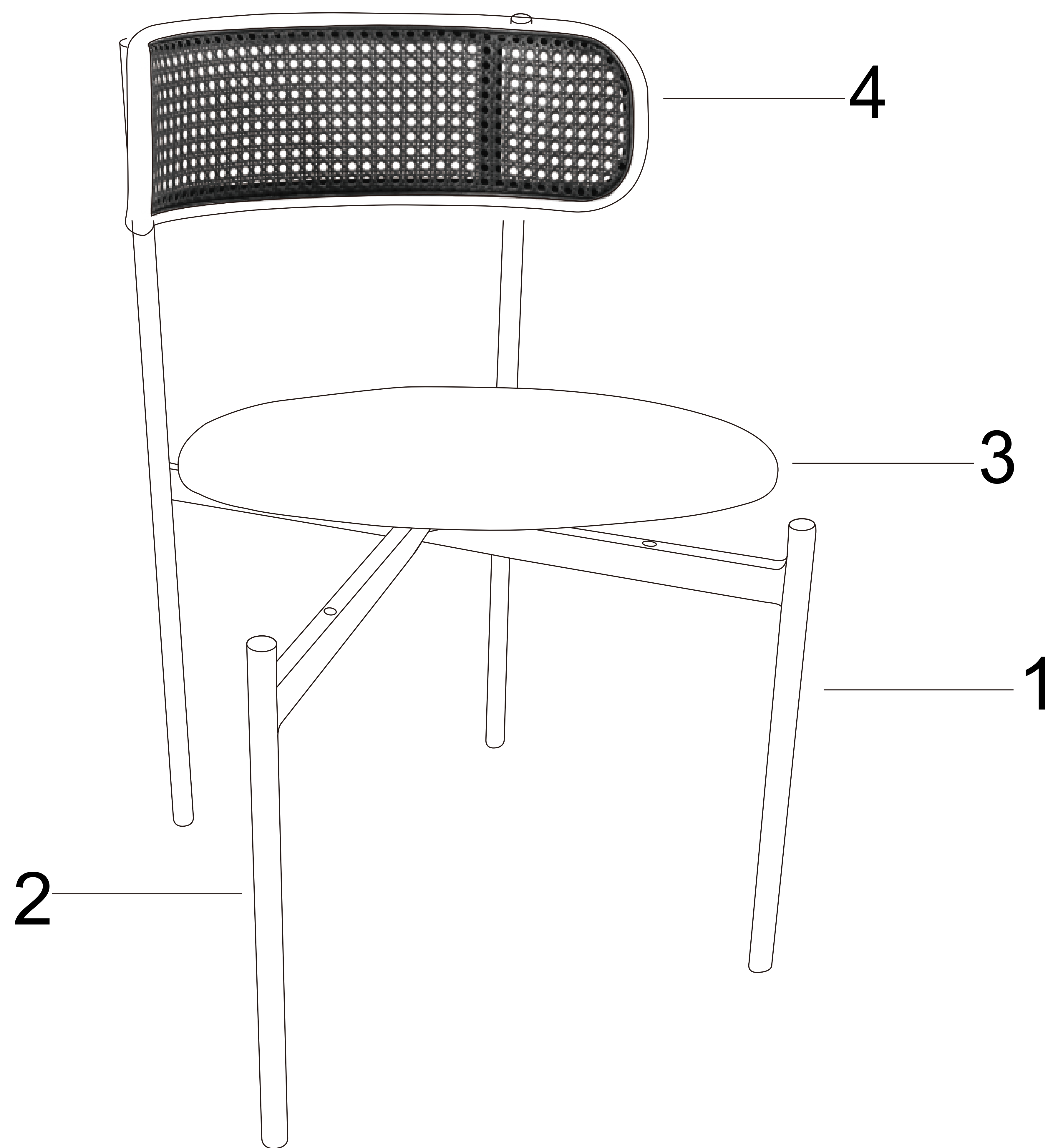
Dining Chair



Please read this manual carefully before any operation and keep it properly for future use.

If any problems on our product, please feel free to contact us

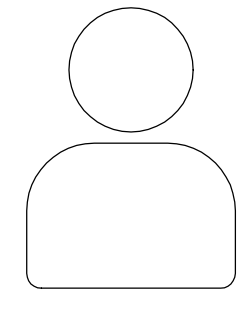
Exploded View



Components List

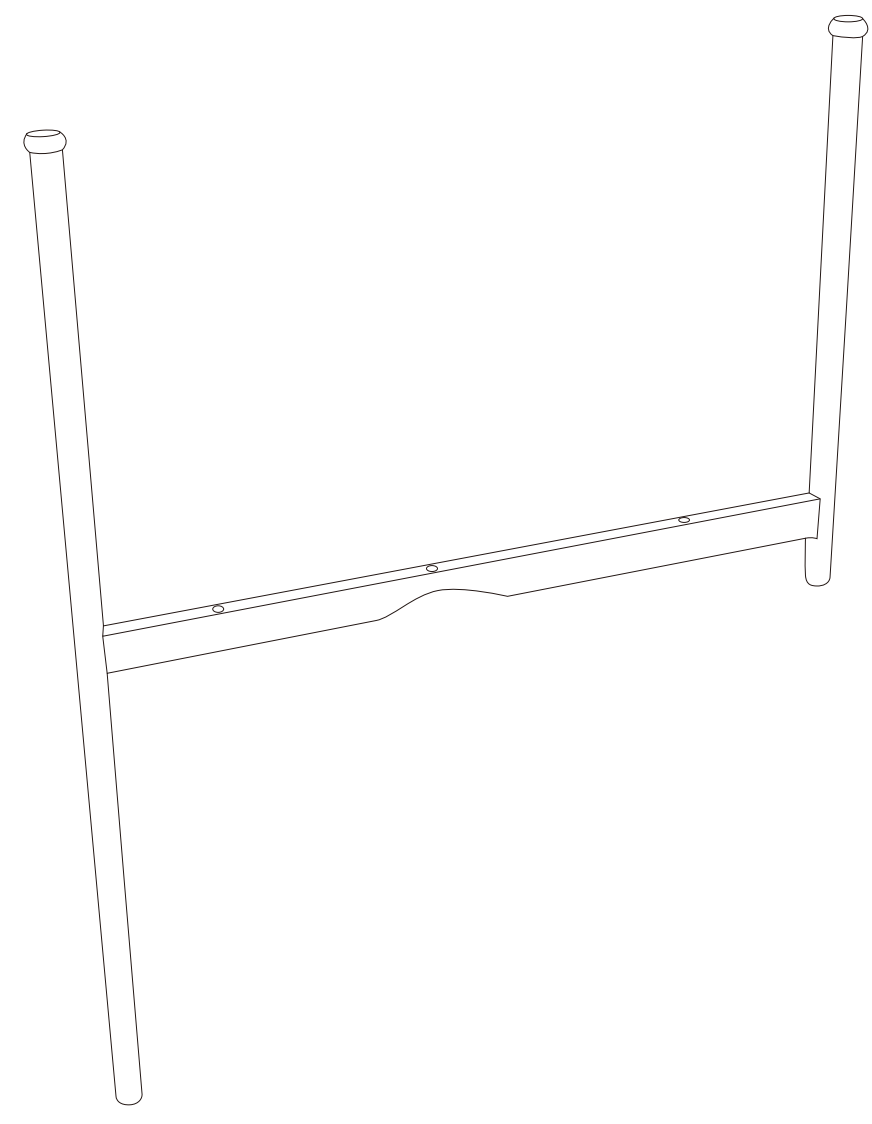
15 min

Assembly Time

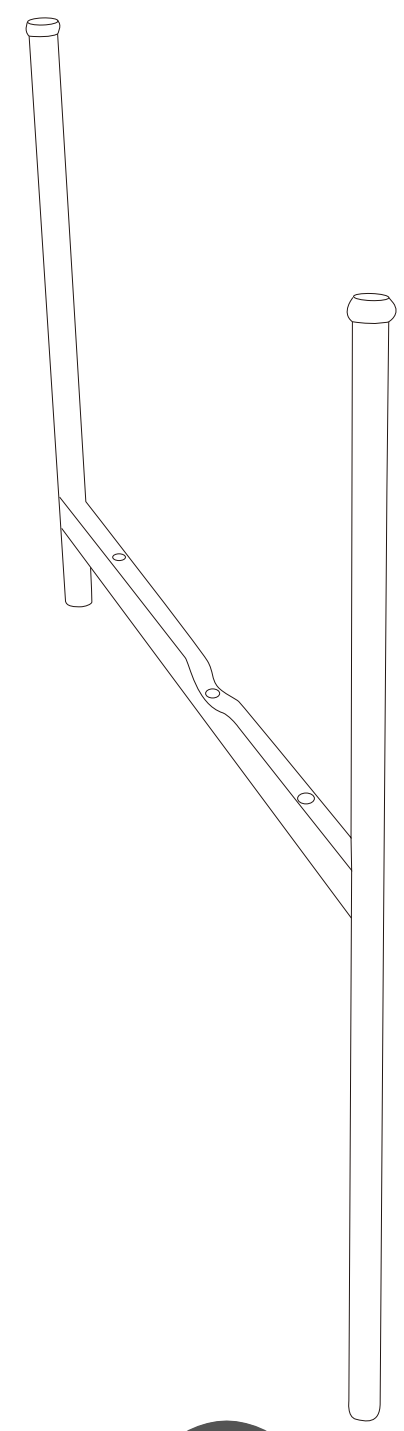


One People

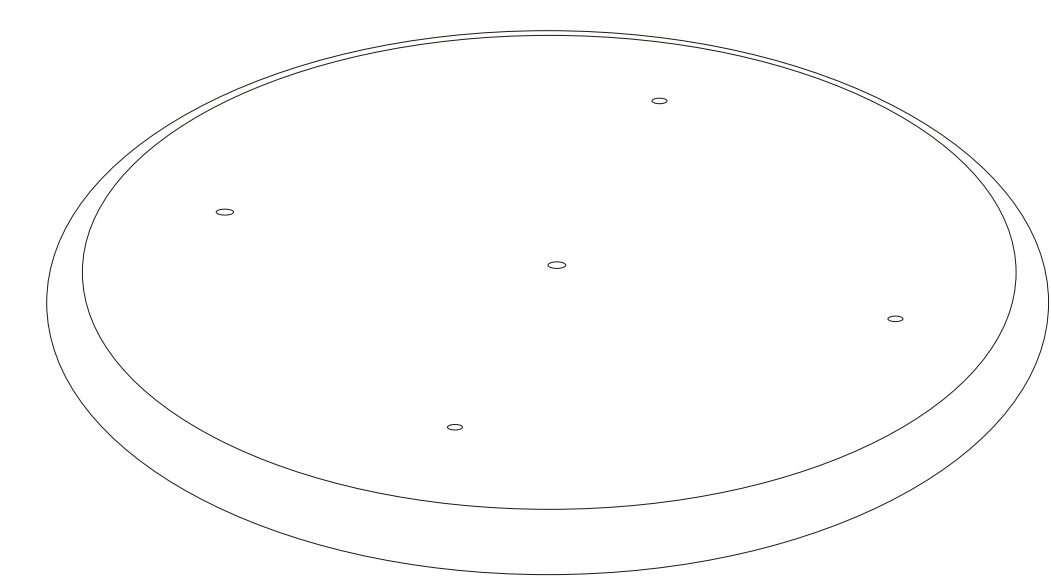
Note:The number after "+" sign indicates the extra piece(s).



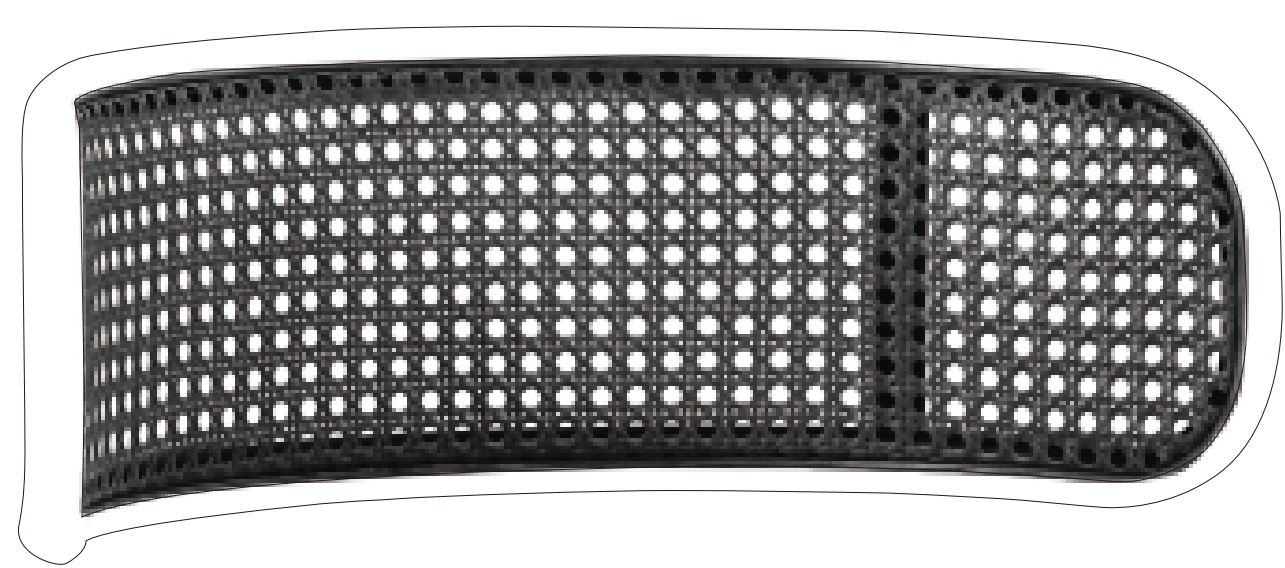
1
Right leg*1



2
Left leg*1



3
Seat cushion*1



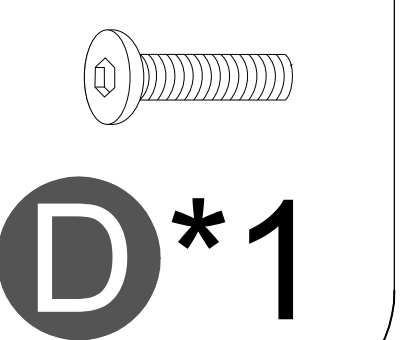
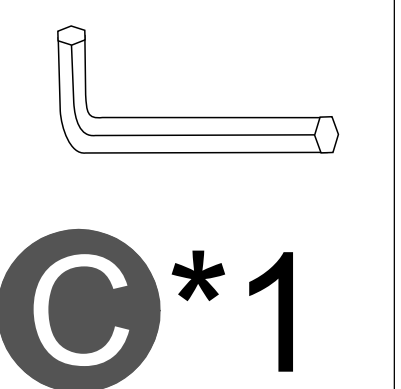
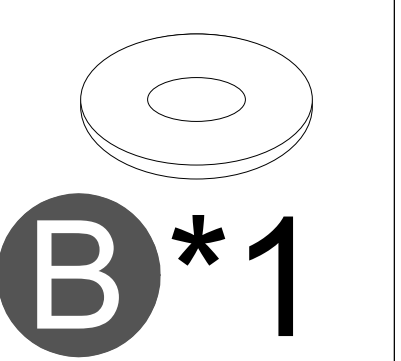
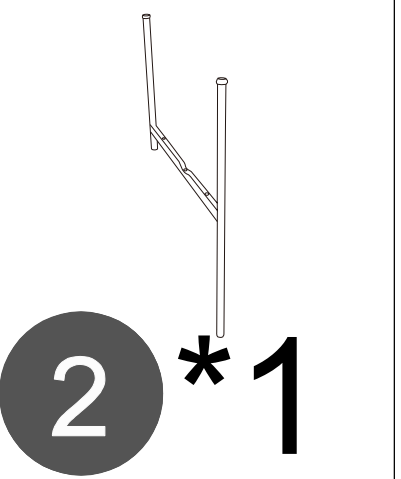
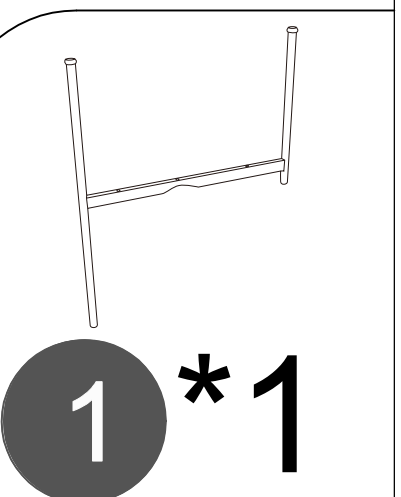
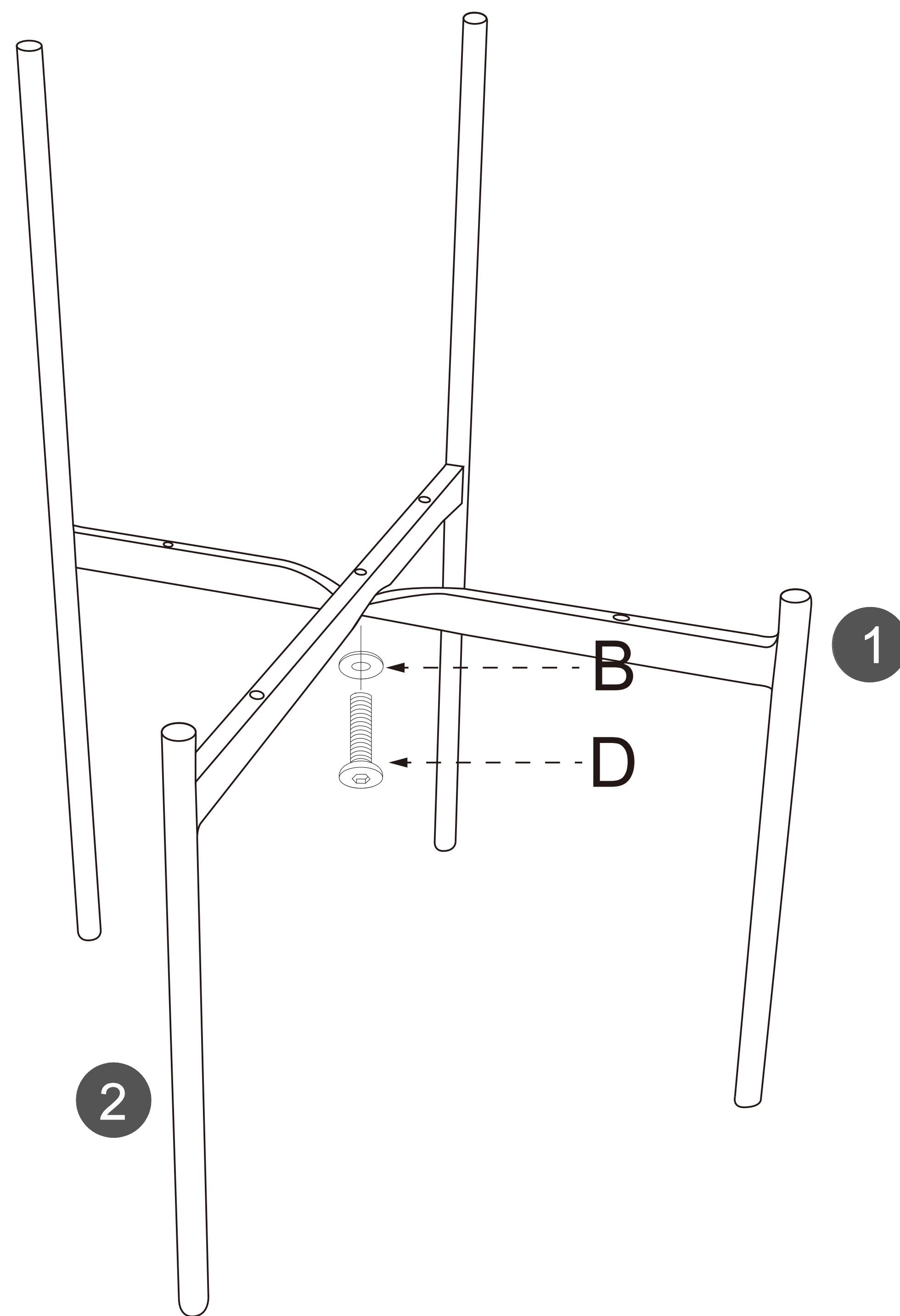
4
Backrest*1

A			B			C			D		
Bolt	M6x45mm	4+1	Washer	M6xΦ14x1.5mm	5+1	Allen wrench	#5	1	Bolt	M6x30mm	1+1
E			F			G					
Bolt	M6x25mm	4+1	Allen wrench	#4	1	Adjustable leg pad		4+1			

Assembly Instruction

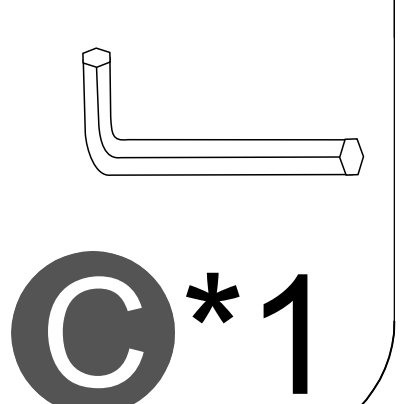
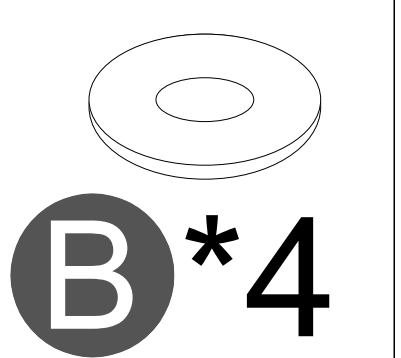
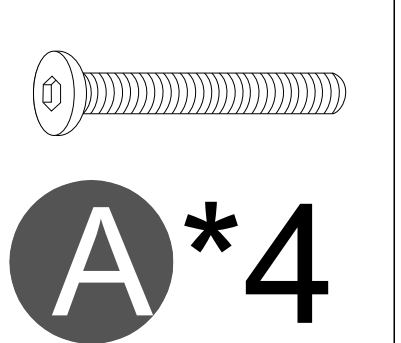
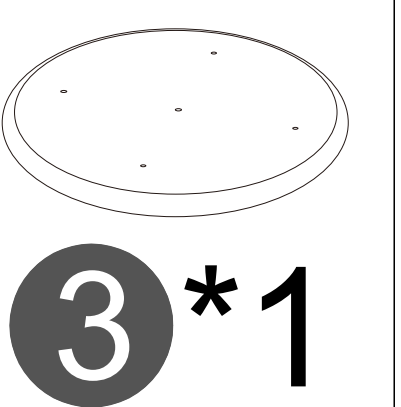
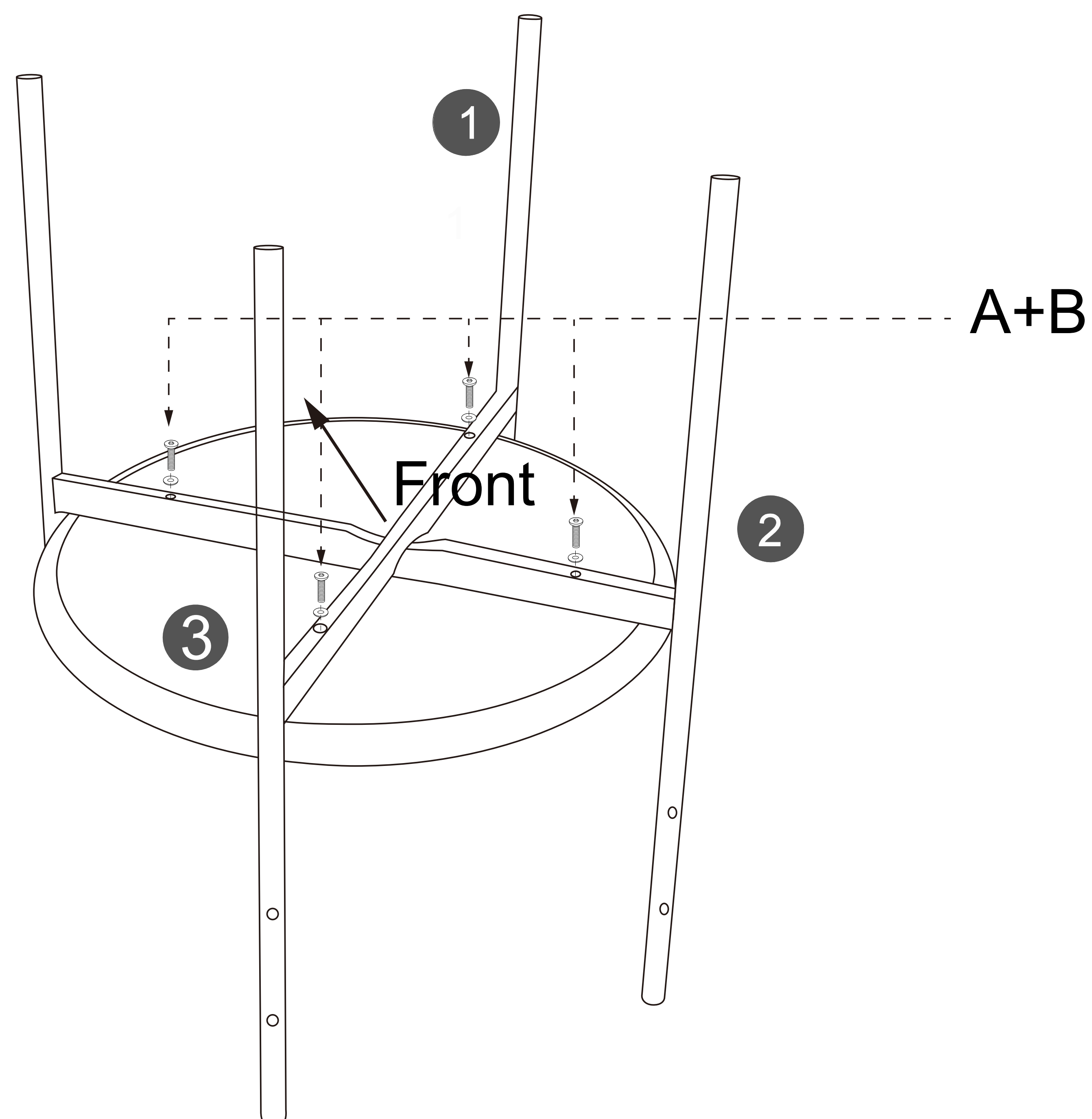
STEP 1

Attach left leg(1) to right leg(2) using washer(B) , bolt(D) and Allen wrench(C).



STEP 2

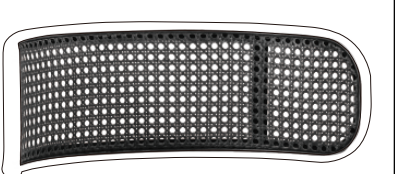
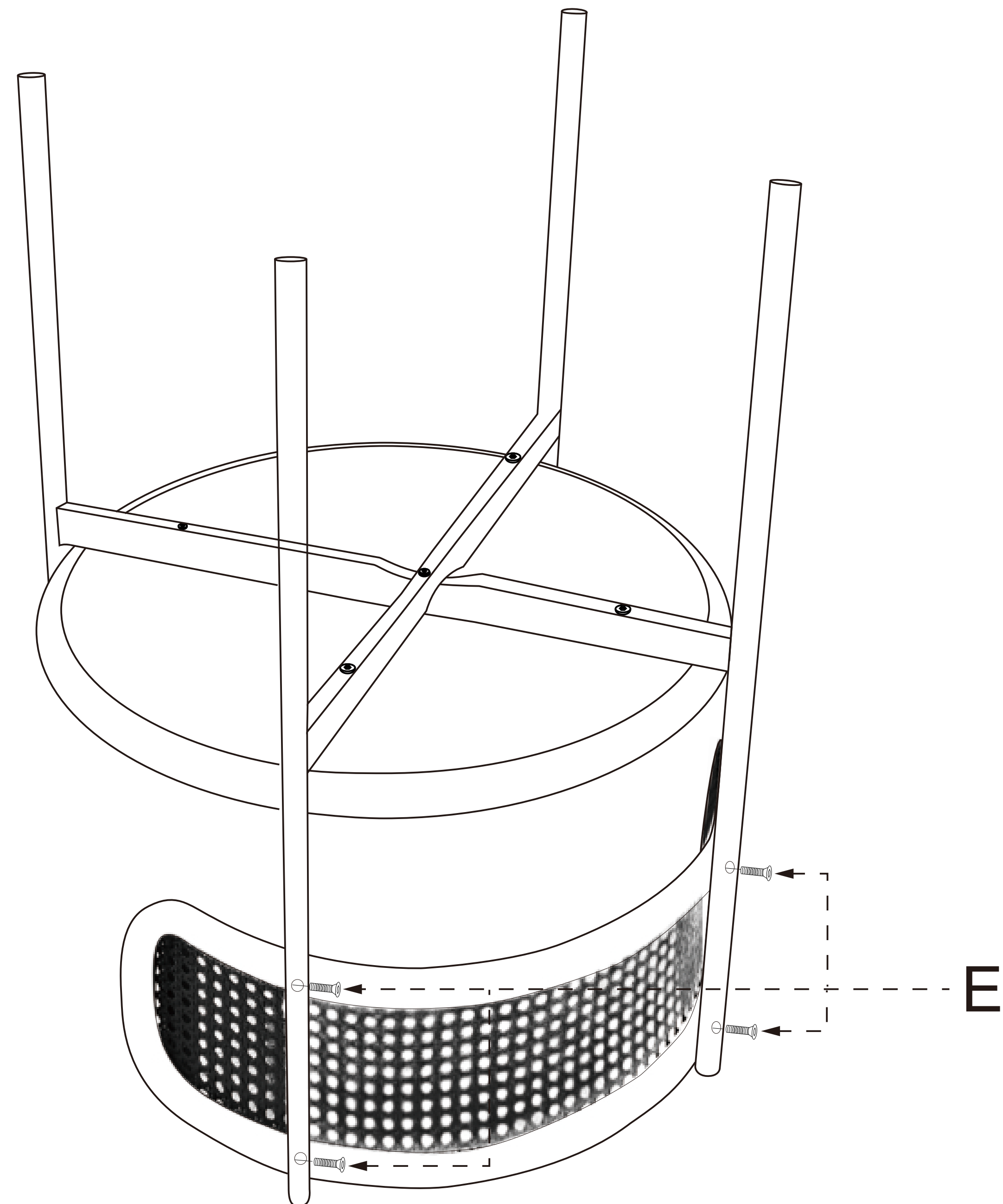
Attach legs to the backside of seat cushion(3) using washers(B) and bolts(A). Do NOT fully tighten the bolts until all of them are in the right holes. This will allow you slight adjustments to the positions during assembly.



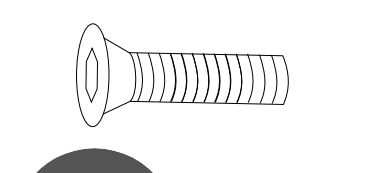
Assembly Instruction

STEP 3

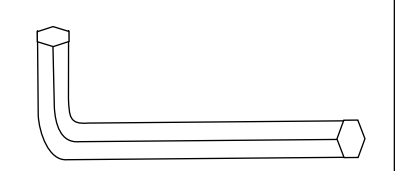
Attach backrest(4) to the tube using bolts(E) and Allen wrench(F). Do NOT fully tighten the bolts until all of them are in the right holes. This will allow you slight adjustments to the positions during assembly.



4*1



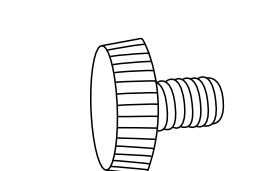
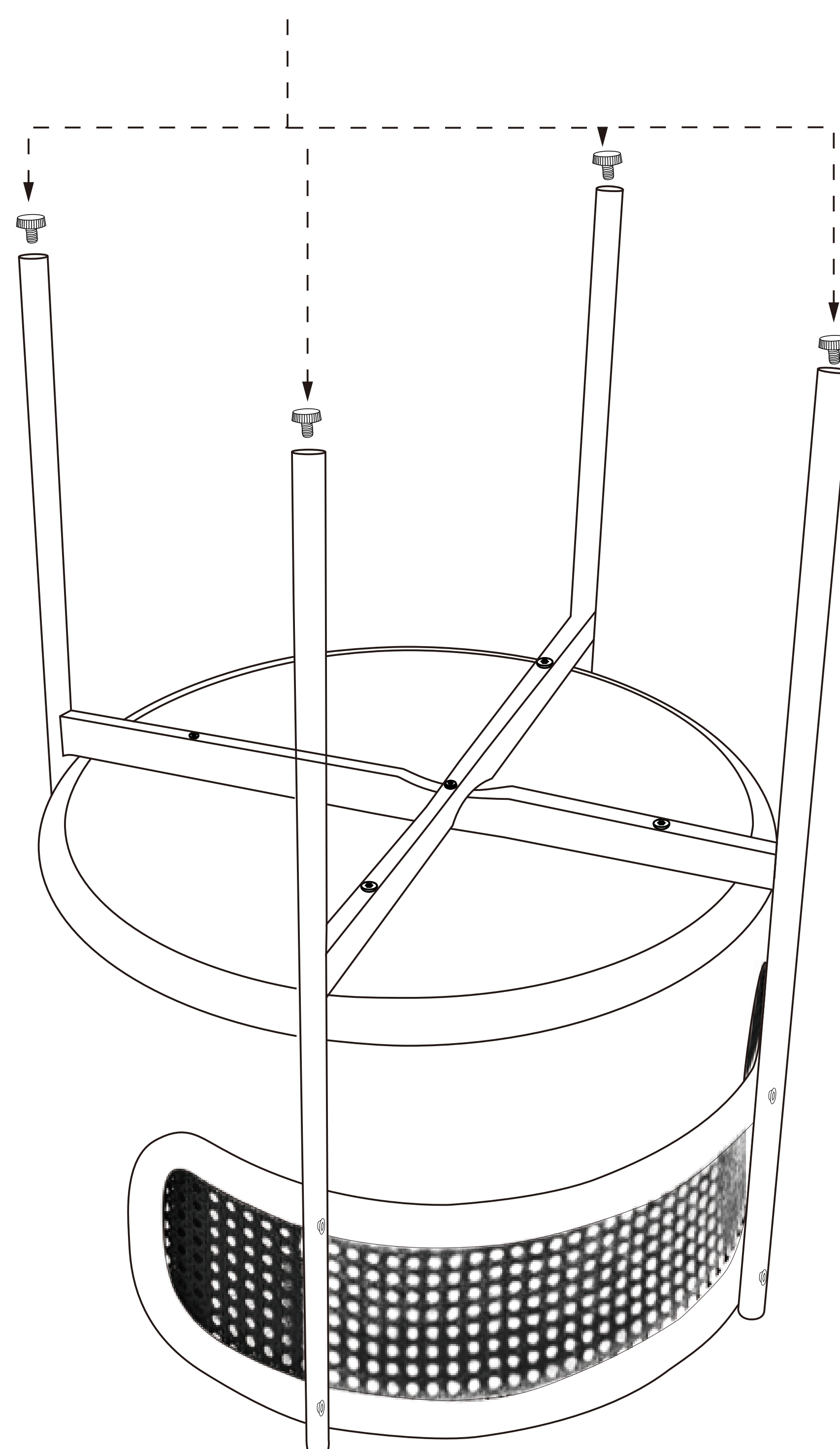
E*4



F*1

STEP 4

Screw adjustable leg pads(G) into the legs of the chair. If the chair is uneven after assembly, you can adjust it by rotating the adjustable leg pads.



G*4