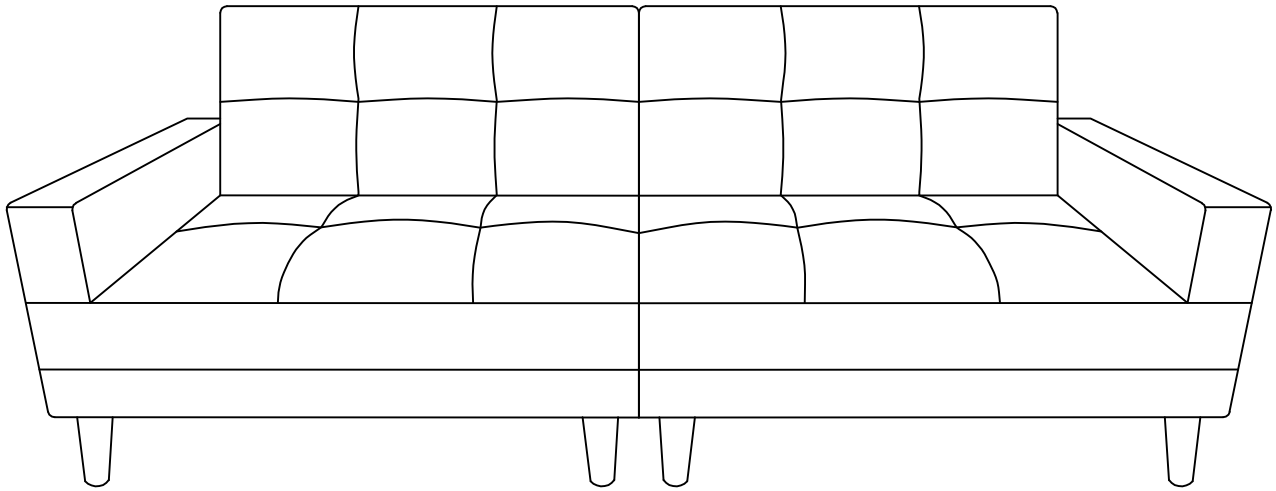
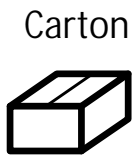

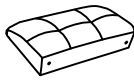
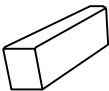





Assembly Instructions For Brown Leather Sofa



Below are the components and quantities included in each carton. Before assembly, please verify all parts. For any missing/damaged components, contact us immediately, we will promptly provide replacements.



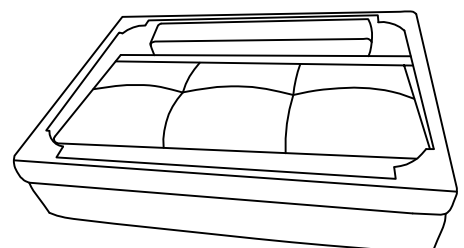
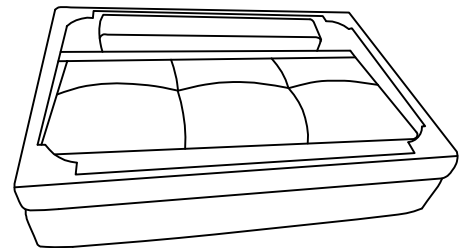
			① 	② 	③ 
Base 2PC	Backrest 2PC	Armrest 2PC	M6*45 Screw 8PCS	M6 8 PCS	15cm Leg 8PCS

All upholstered parts and accessories are placed inside the corresponding base. Please follow the steps below:

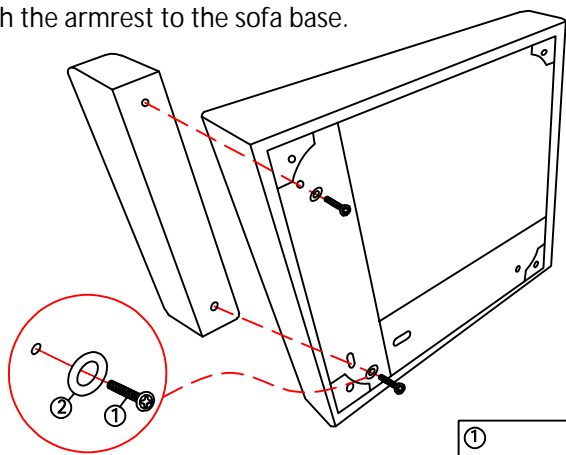
Step 1: Locate the zippers on the sofa base covers and carefully unzip them to access the interior.

Step 2: Take out the soft cushion and any included accessories (such as screws, tools, or spare parts) from inside the sofa base.

Step 3: Place the cushion and accessories in a safe and easily accessible location, as you may need them during assembly or future adjustments.



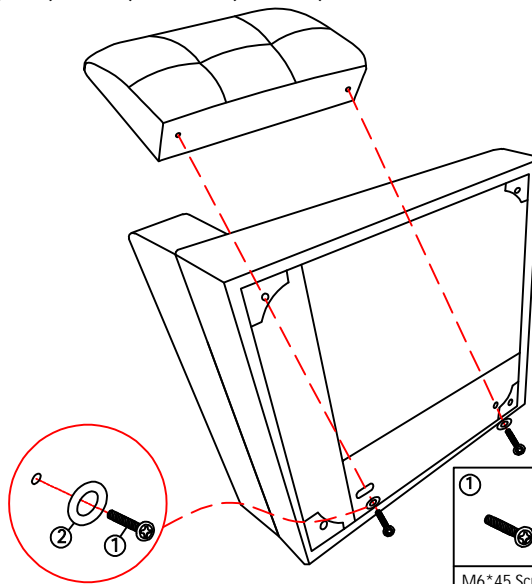
Install the right-side component first (Right/Left determined from seated position - your right side when sitting is "Right")
As shown in the illustration, use #1 (screws) and #2(washer) to attach the armrest to the sofa base.



1

①	②
M6*45 Screw 2PCS	M6 2 PCS

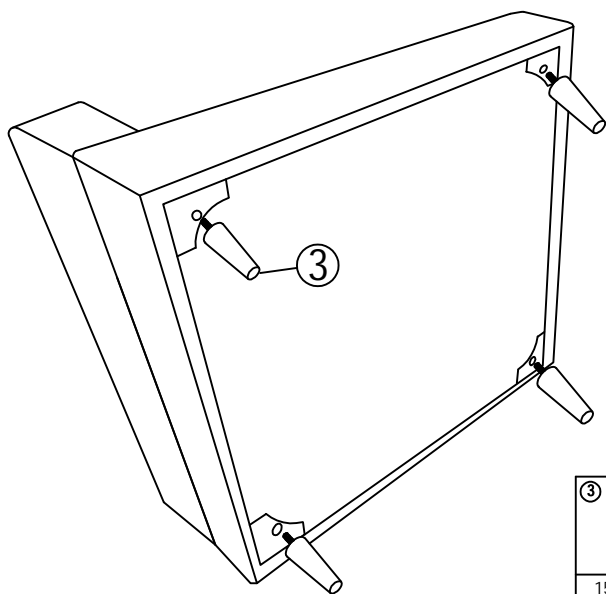
As shown in the diagram, secure the sofa backrest to the base using #1 (screws) and #2 (washer).



2

①	②
M6*45 Screw 2PCS	M6 2 PCS

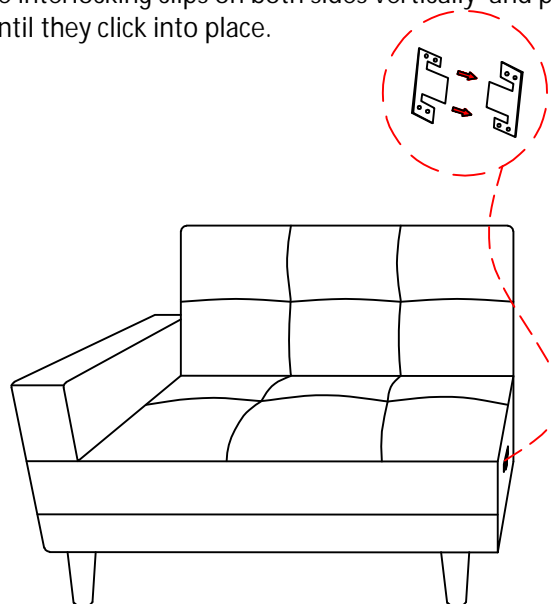
Attach #3 (sofa feet) to the designated positions on the bottom of the sofa.



3

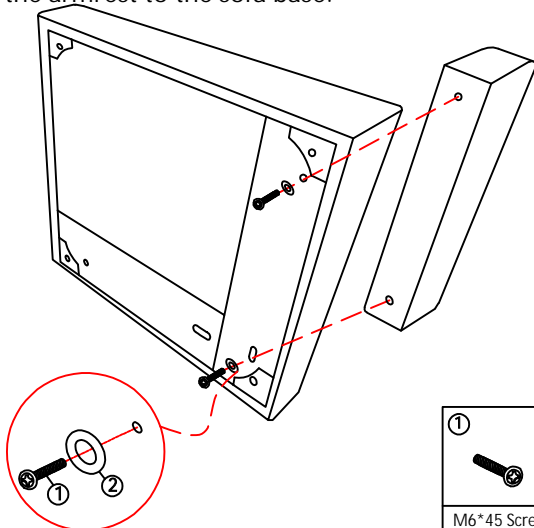
③
15cm Leg 4PCS

Align the interlocking clips on both sides vertically and press firmly until they click into place.



4

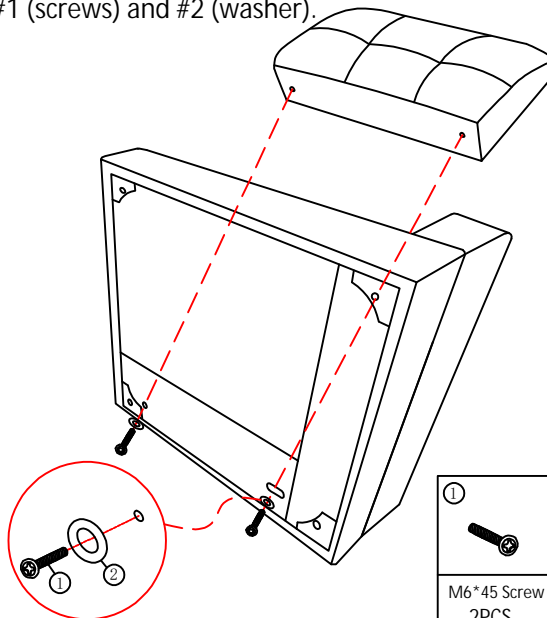
Install the left-side component first (Right/Left determined from seated position - your left side when sitting is "Left")
As shown in the illustration, use #1 (screws) and #2(washer) to attach the armrest to the sofa base.



5

①	②
M6*45 Screw 2PCS	M6 2 PCS

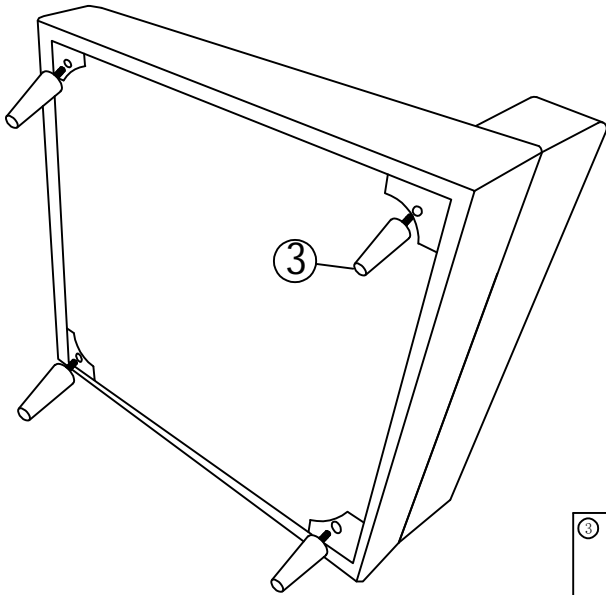
As shown in the diagram, secure the sofa backrest to the base using #1 (screws) and #2 (washer).



6

①	②
M6*45 Screw 2PCS	M6 2 PCS

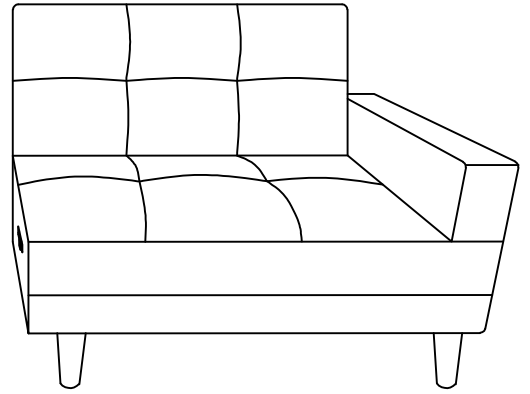
Attach #3 (sofa feet) to the designated positions on the bottom of the sofa.



7

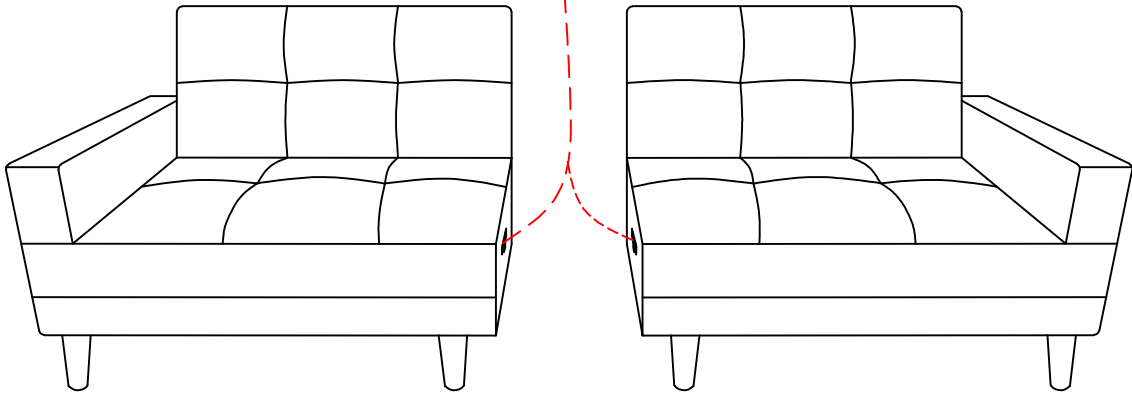
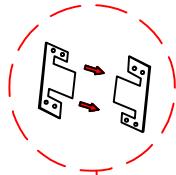


Install the left-side component using the same method.



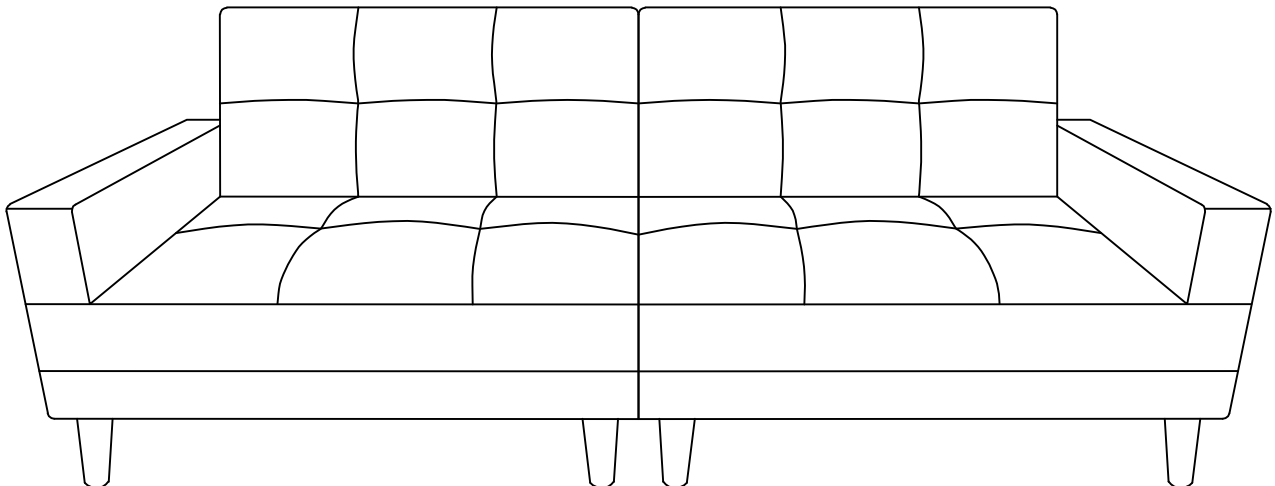
8

Align the interlocking clips on both sides vertically and press firmly until they click into place.



9

Assembly completed



10