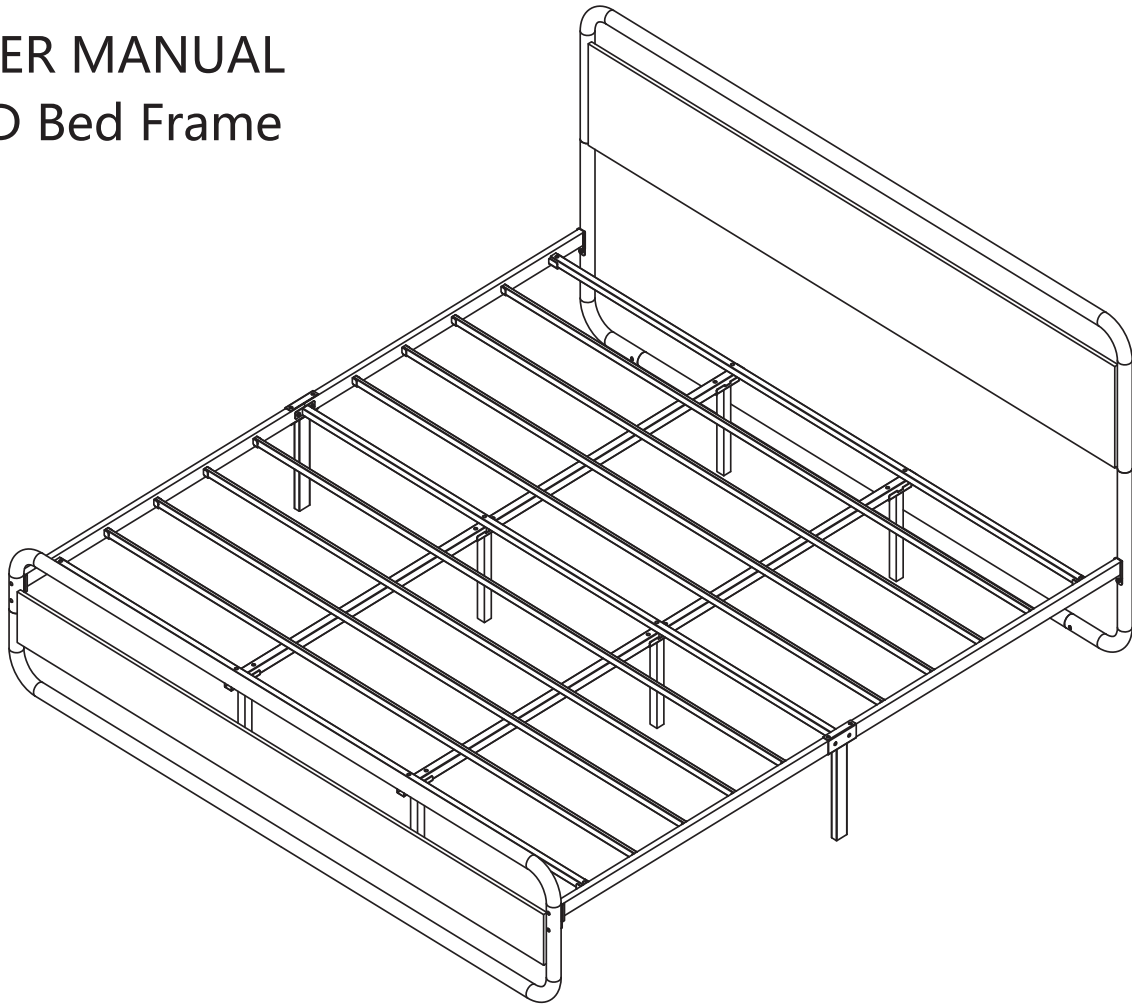


USER MANUAL

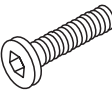
LED Bed Frame



We are devoted to provide the best products and services for customers. Please contact us via the 'Contact seller' button in the detail page of your order for any concern and we'll response as soon as possible.

Hardware list


A



BOLT

M8*35 12PCS

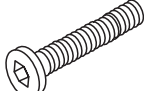
B



BOLT

M6*15 6PCS


C



BOLT

M8*55 18PCS


D



BOLT

M6*30 4PCS

E

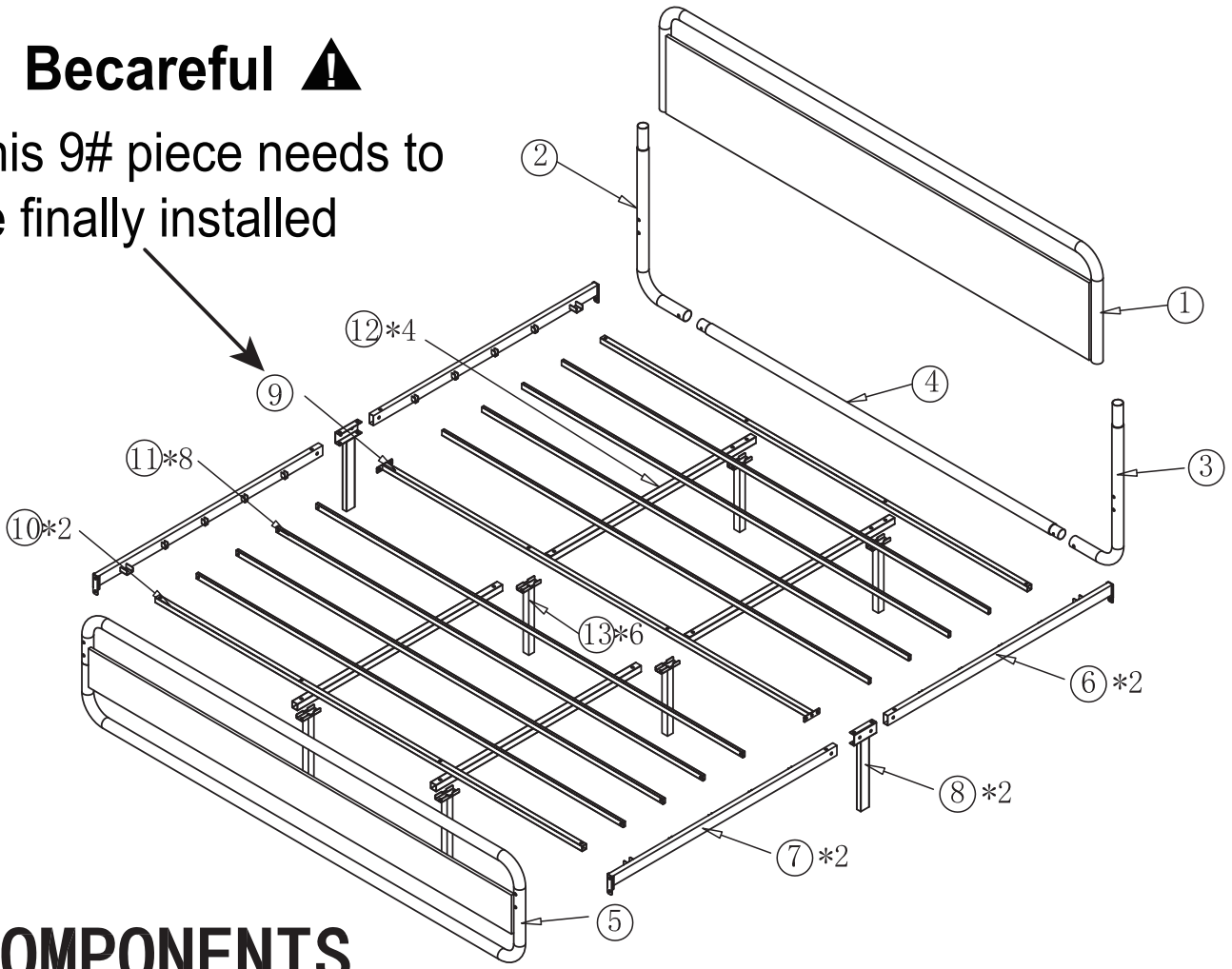


HEX KEY

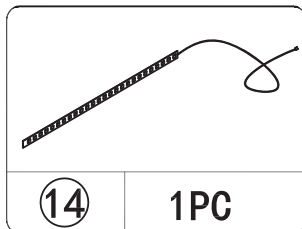
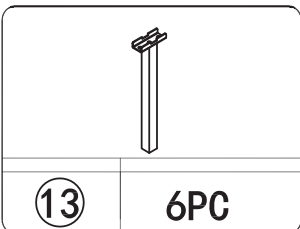
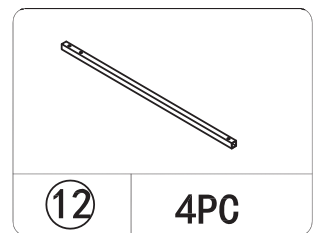
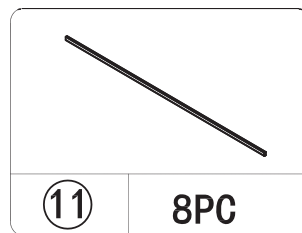
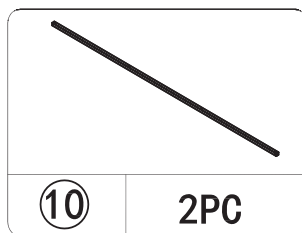
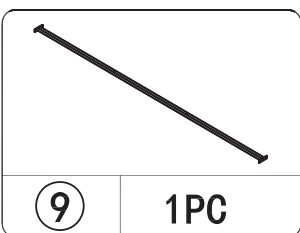
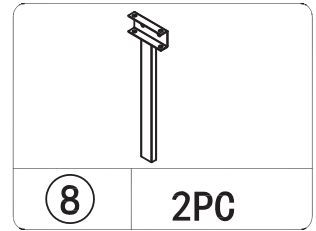
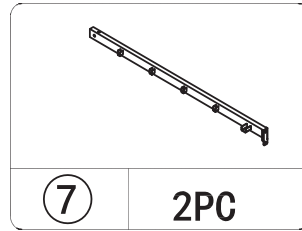
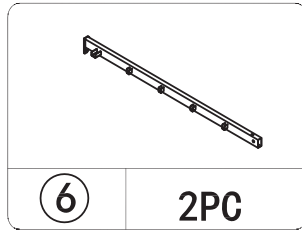
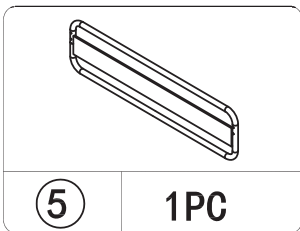
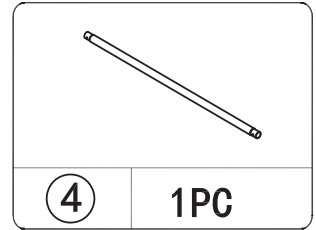
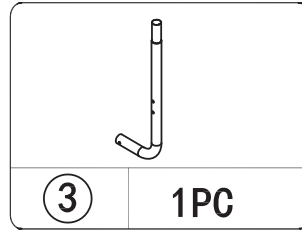
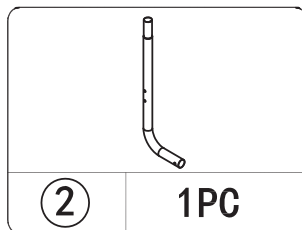
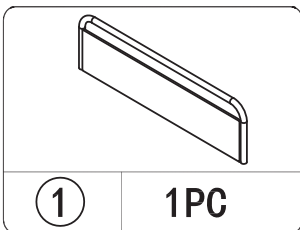
4# 2PCS

Becareful 

This 9# piece needs to be finally installed



COMPONENTS



Step 1:

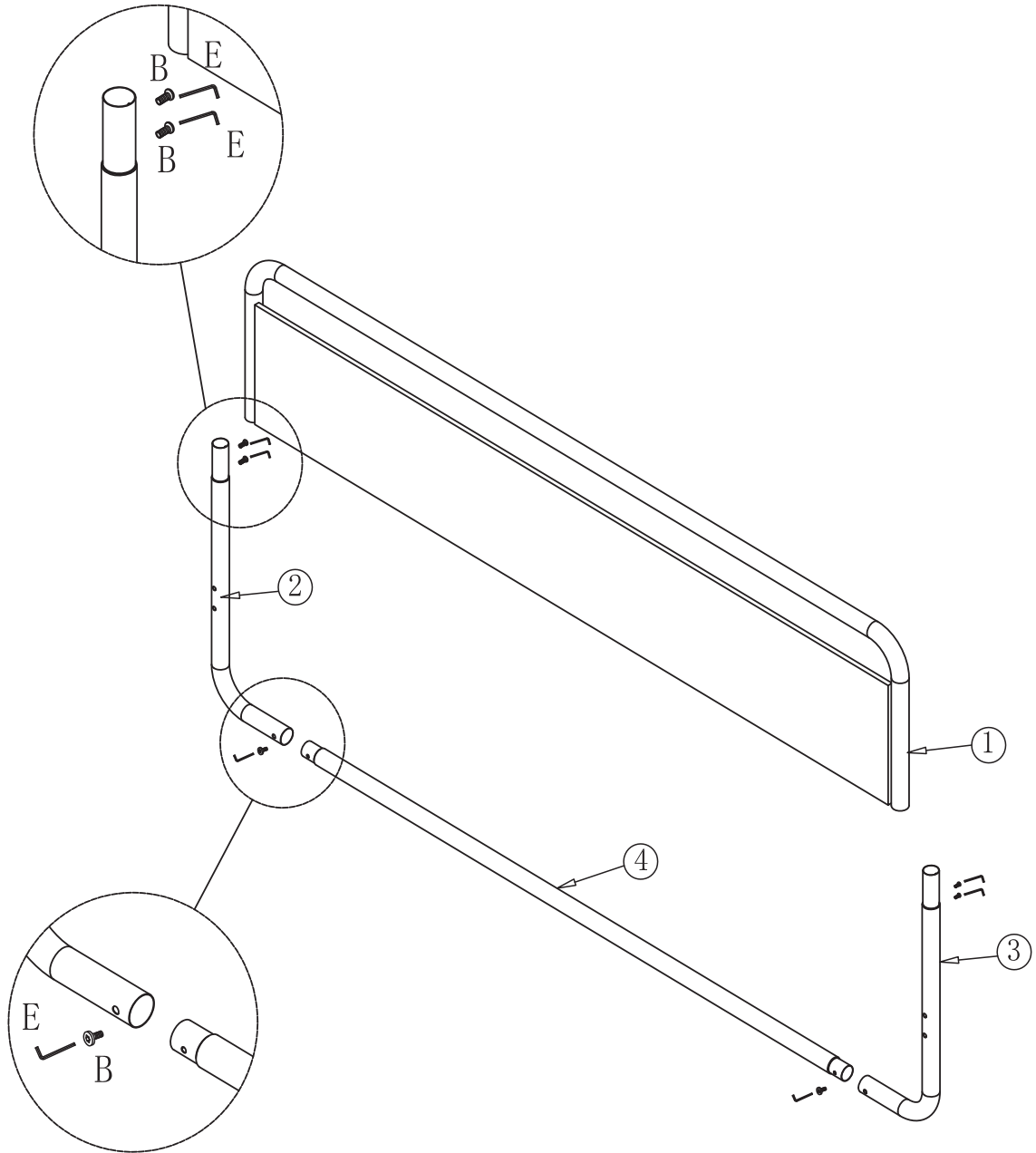
B M6*15

6PCS

E 4#

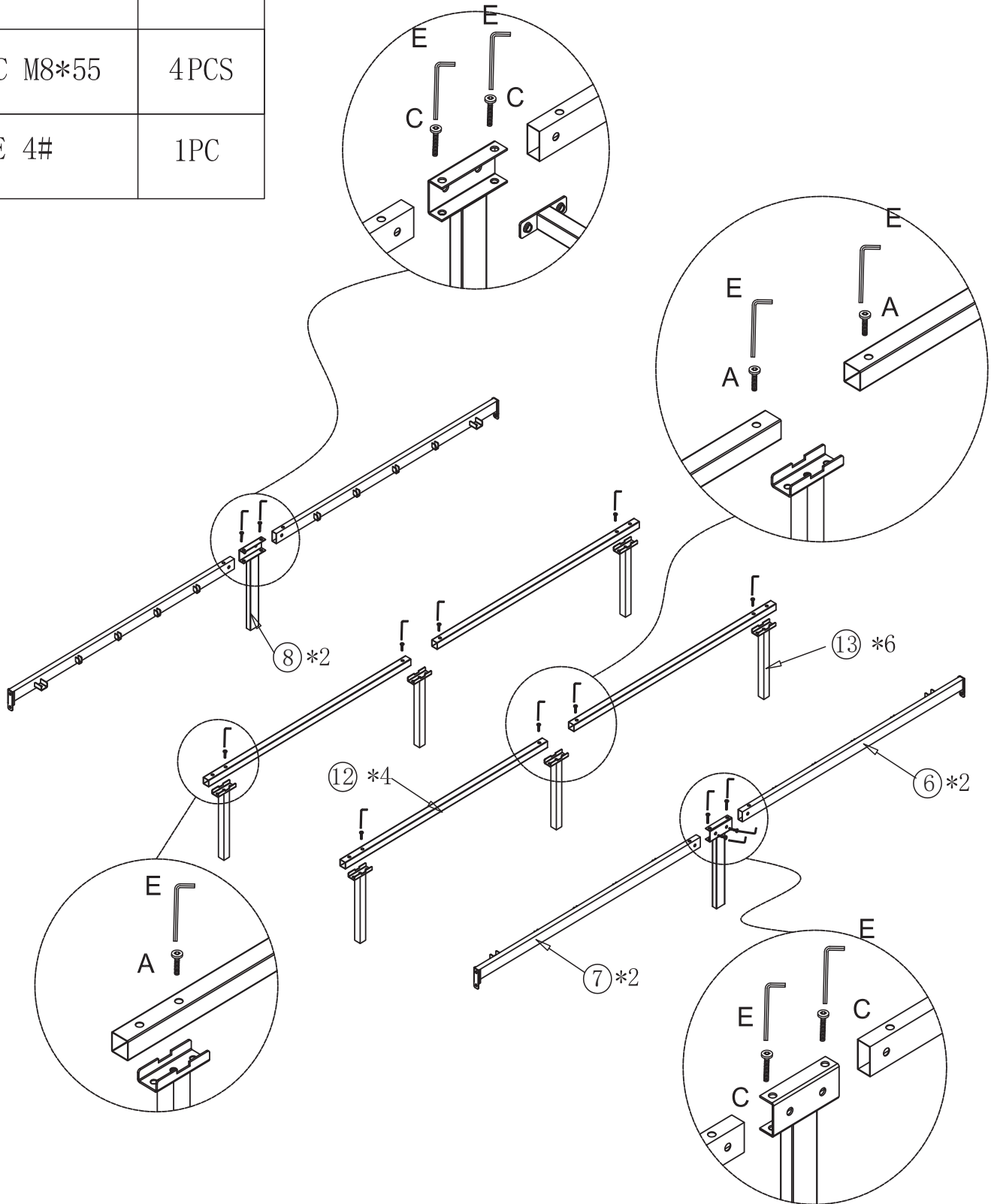
1PC

Attach Part (2,3) to Part(1) with Bolt (B) using Hex Key (E).



Step 2:

A M8*35	8PCS
C M8*55	4PCS
E 4#	1PC



Attach Part (12) to Part(13) with Bolt (A) using Hex Key (E).
Attach Part (6,7) to Part(8) with Bolt (C) using Hex Key (E).

Step 3:

D M6*30

4PCS

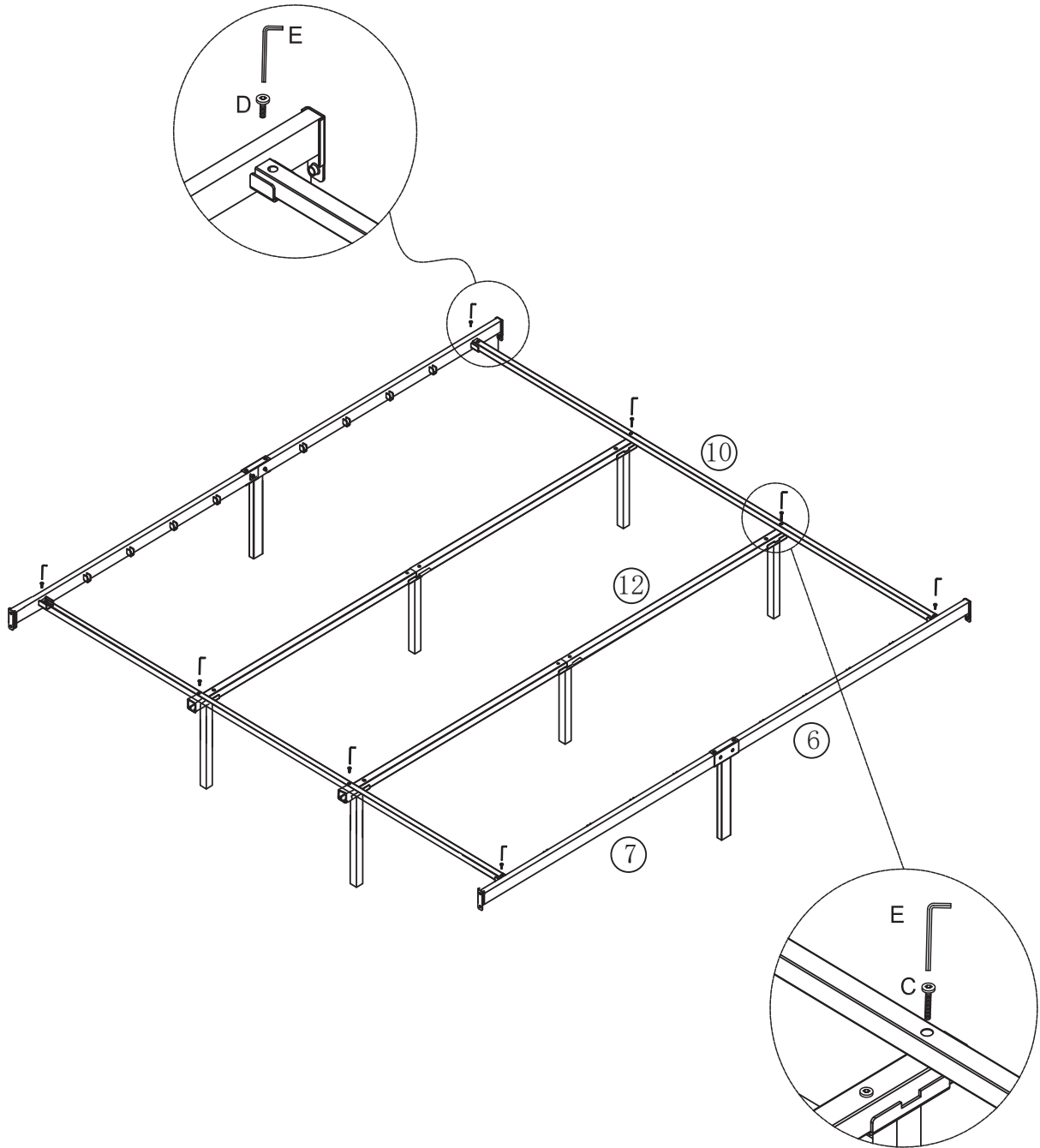
C M8*55

4PCS

E 4#

1PC

Attach Part (10) to Part(6,7) with Bolt (D) using Hex Key (E).
Attach Part (10) to Part(12) with Bolt (C) using Hex Key (E).



Step 4:

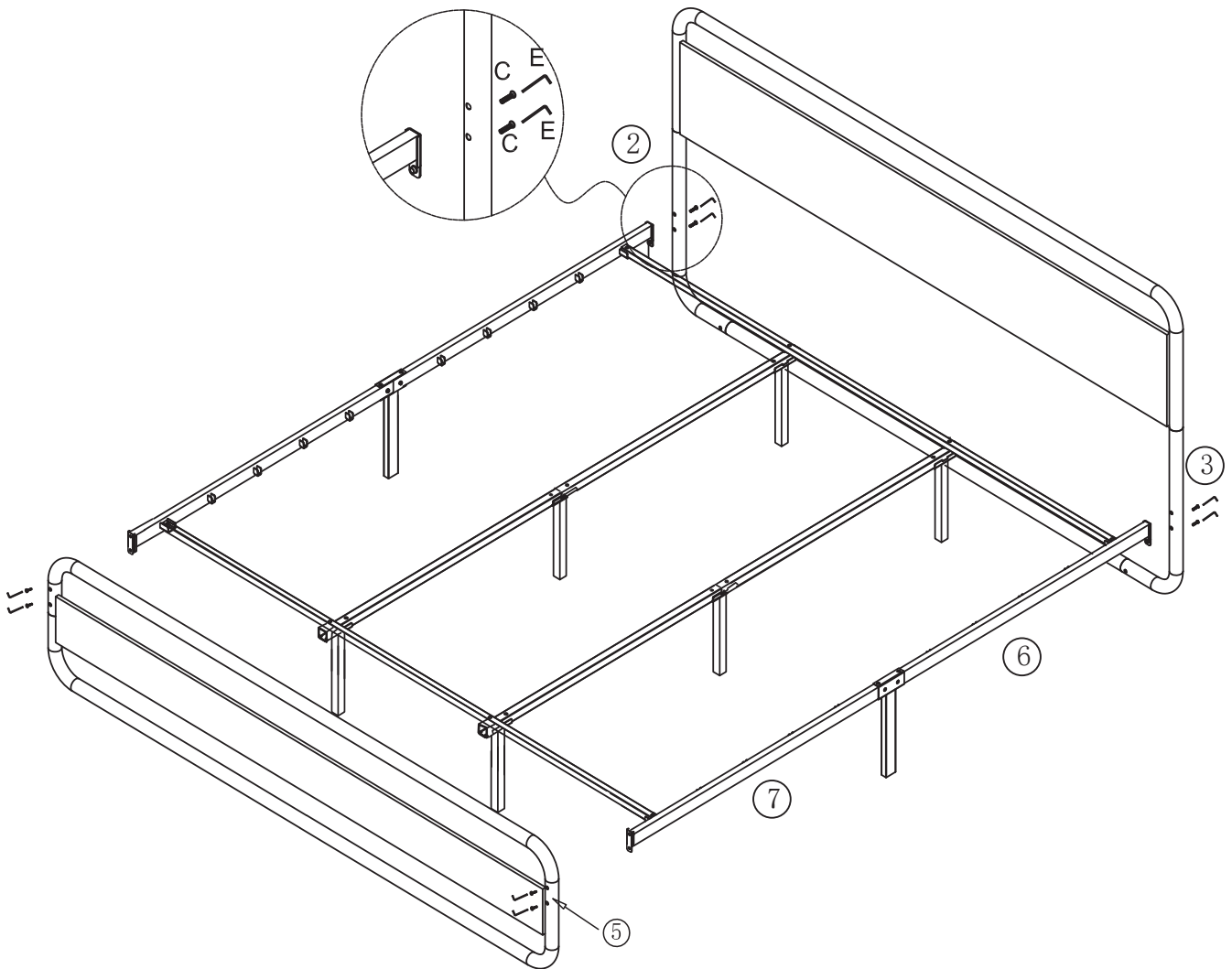
C M8*55

8PCS

E 4#

1PC

Attach Part (6) to Part(2,3) with Bolt (C) using Hex Key (E).
Attach Part (7) to Part(5) with Bolt (C) using Hex Key (E).



Step 6:

Attach Part(14) to Part(1) as per diagram.

