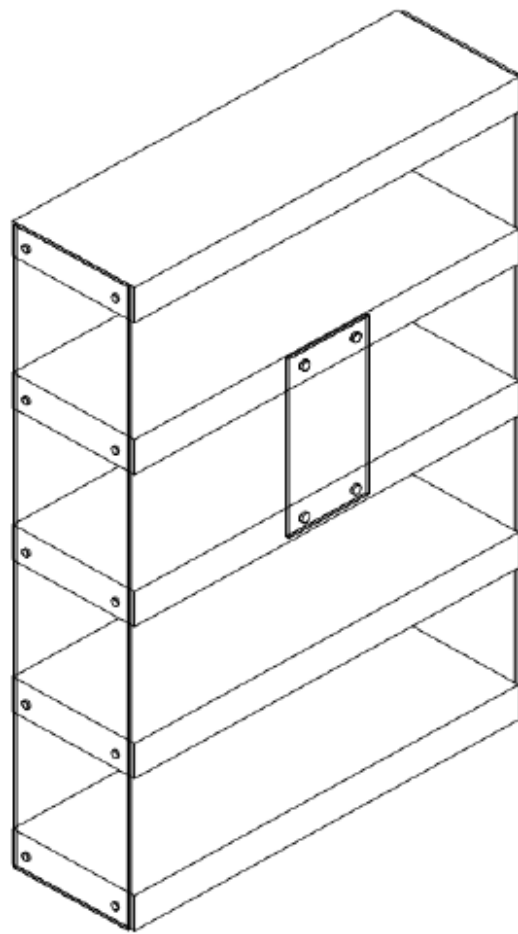


# Assembly Instructions

# CP1110F



# CP1110F



A x24  
Spec: #8x11



B x24  
Spec: #25\*8



C x24  
Spec: #10\*18



D x20  
Spec: #12\*#10\*11



E x1  
Spec: #12\*#10\*7



F x1  
Spec: 5#

