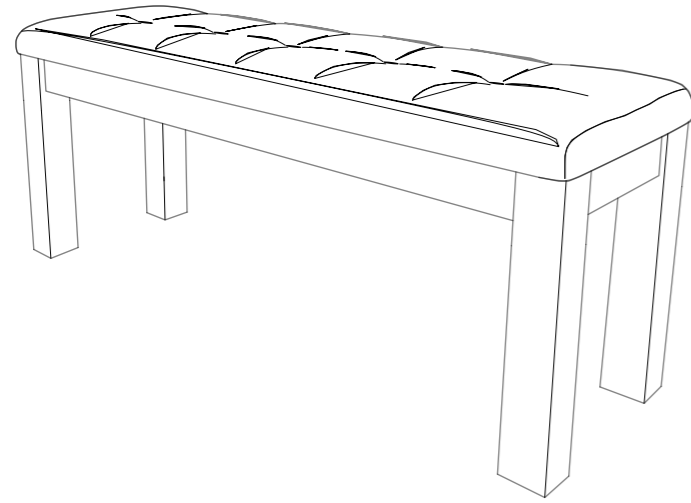




SKU: KHD-AE-B04

BRN & GRY & DBN

Lot No.: SK-NO.1



Bench

Assembly Guide

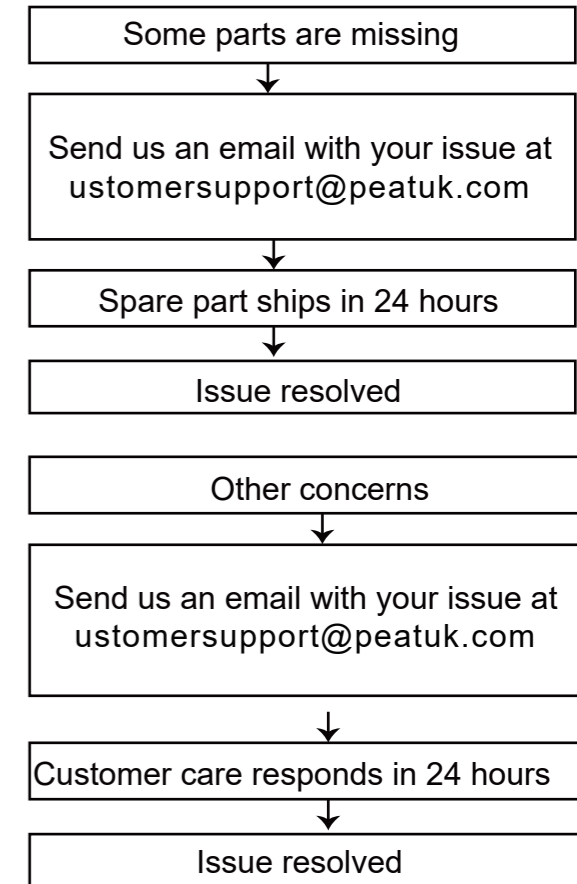
Tip!

Do check for all the components and screws listed in this guide before putting things together. If any part is missing, contact us at ustomersupport@peatuk.com for the missing part.

Return Policy

Your satisfaction is our top priority. If our product fails to satisfy you, please let us know how we can make things right for you. Our trained customer care team can handle most concerns and assist you with any questions you may have. Simply shoot them a message at ustomersupport@peatuk.com with your order number and question. To be eligible for a full-refund return, the item must be in pristine condition, in the original packaging, with all of the shipped components intact and not yet assembled, and with the item's unique proof of purchase.

Trouble shooting:

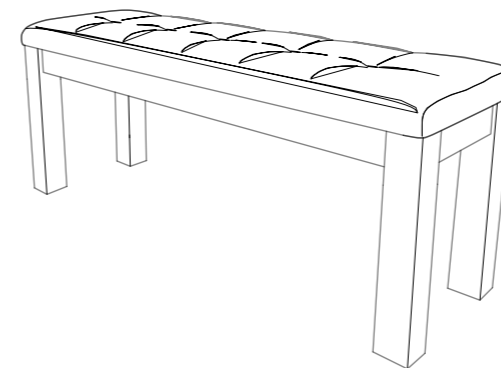


We run our own manufacturer, so rest assured about the quality consistency.

How to find us?

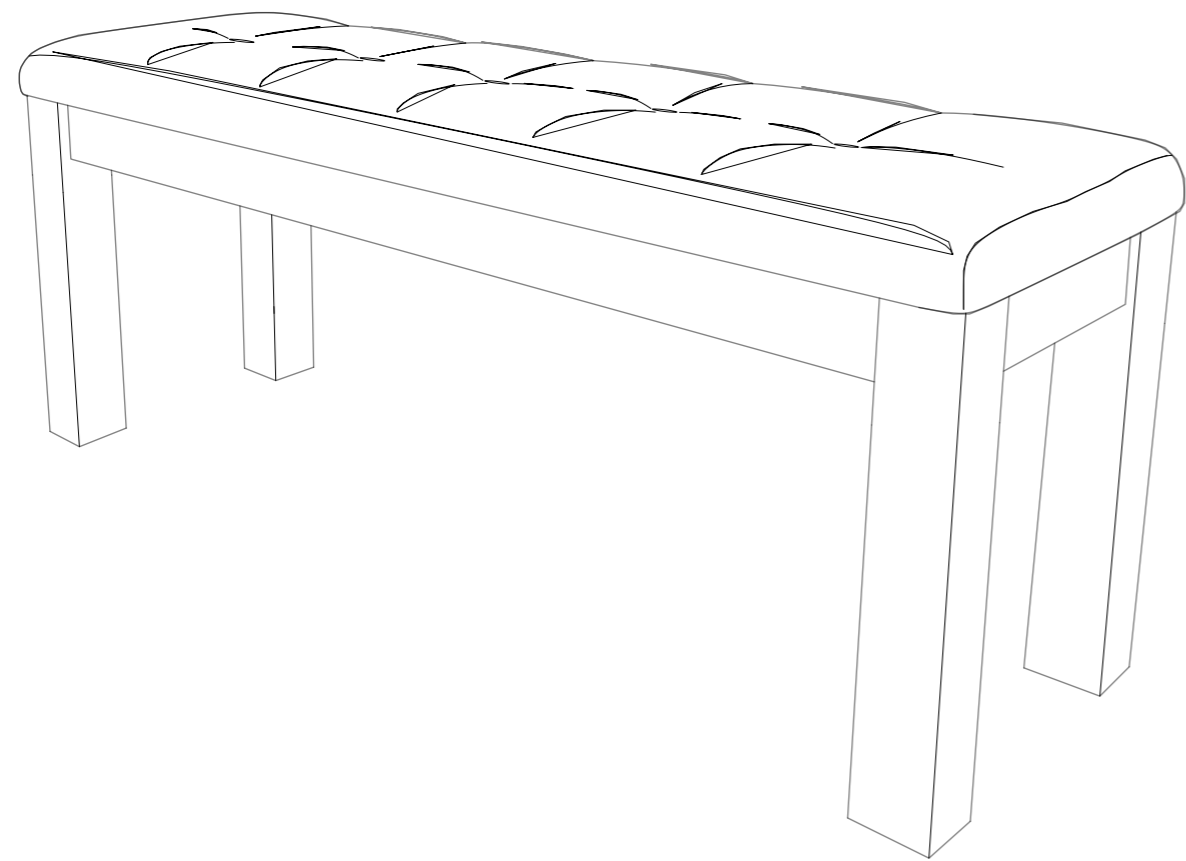
Email: ustomersupport@peatuk.com

Website: www.peatuk.com

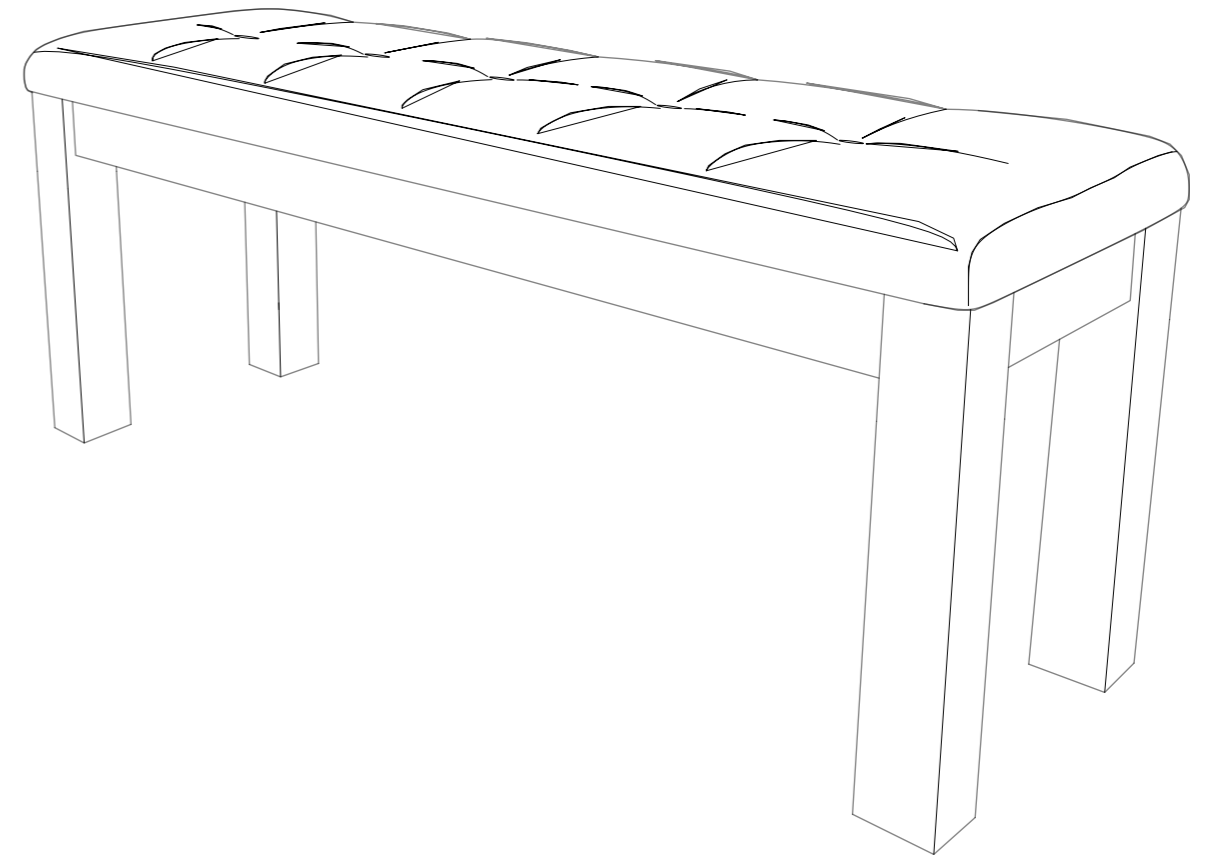


Item Description: Bench

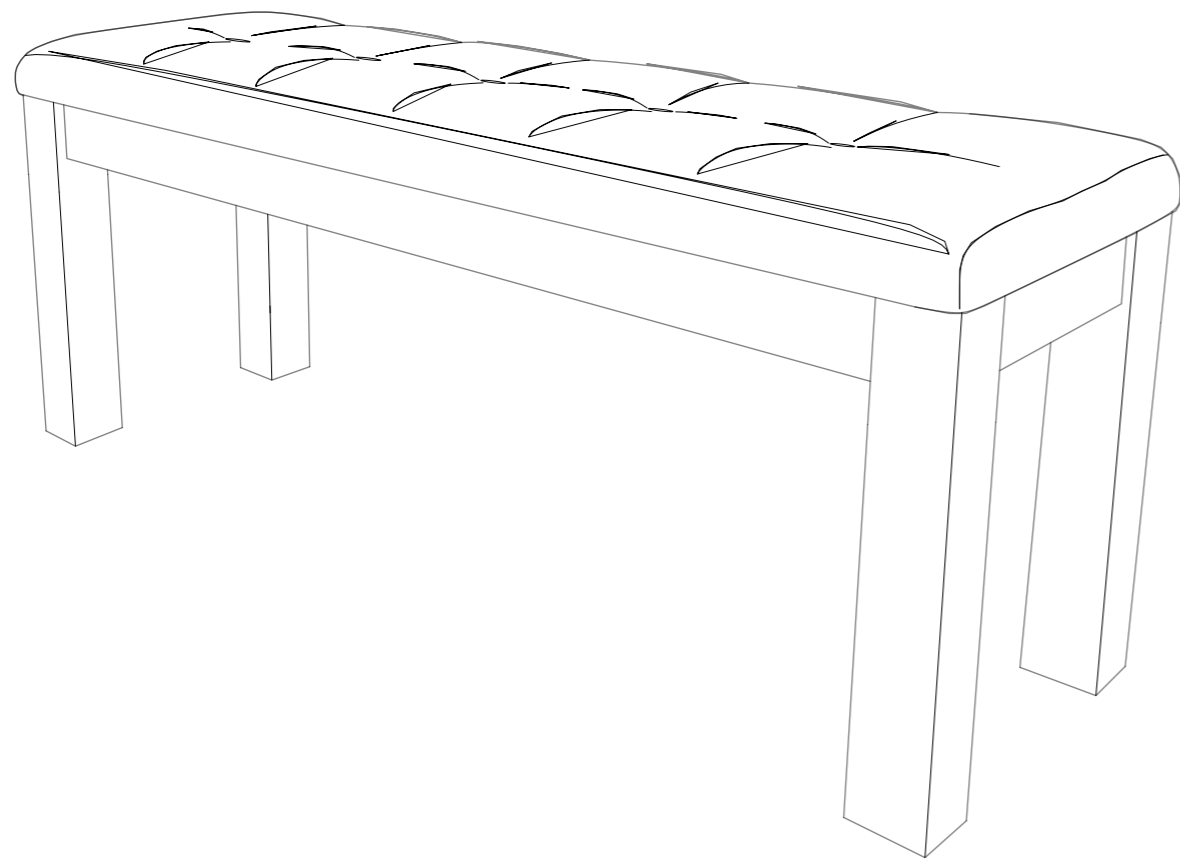
Model NO: SK-NO.1



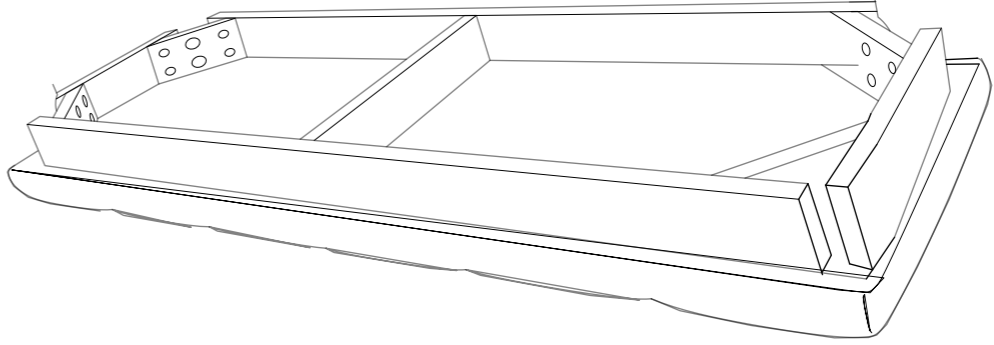
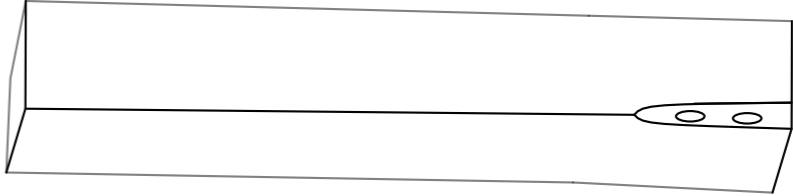
Step 3



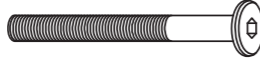
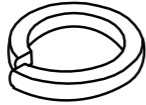
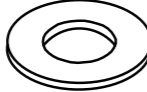

Step 2



PART LIST

ITEM	DESCRIPTION	QTY
A	<p data-bbox="1813 279 1991 342">SEAT</p>  A line drawing of the seat component, showing its internal frame structure with several cross-braces and attachment points for screws.	1 PC
B	<p data-bbox="1798 1161 1982 1224">LEGS</p>  A line drawing of a single leg component, which is a rectangular tube with a pre-drilled hole at one end for assembly.	4 PCS

Screws & Tools

1	 Jcbc Screw M6 x 60MM	8pcs
2	 Spring Washer 1/4"	8pcs
3	 Flat Washer 1/4"	8pcs
4	 M4 ALLEN KEY (LONG)	1pc

Step 1

