

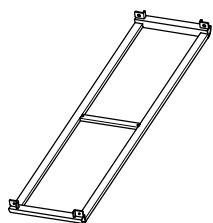
BOX SPRING

Set-up Instruction

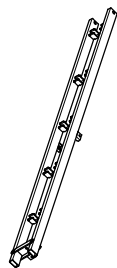
Size: Twin/Twin XL

If you have any questions about the product, please don't hesitate to contact us. You can reach us through your order. Thanks for your support!

Package Parts List



A*2PCS



B*2PCS



E*2PCS



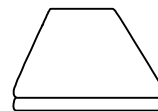
G*1PCS



J*4PCS



H*10PCS



D*1pcs
(Bed cover)

Accessories List



T*2pcs
M6*35 (bolt)



L*8pcs
M6*20 (bolt)

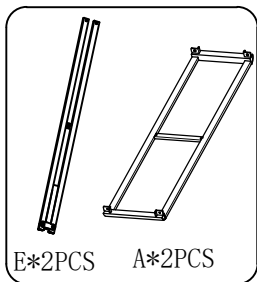


P*10pcs
M6*8 (bolt)

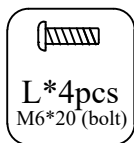


Z*1pcs

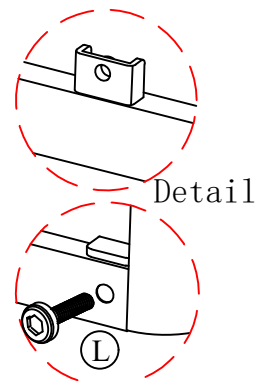
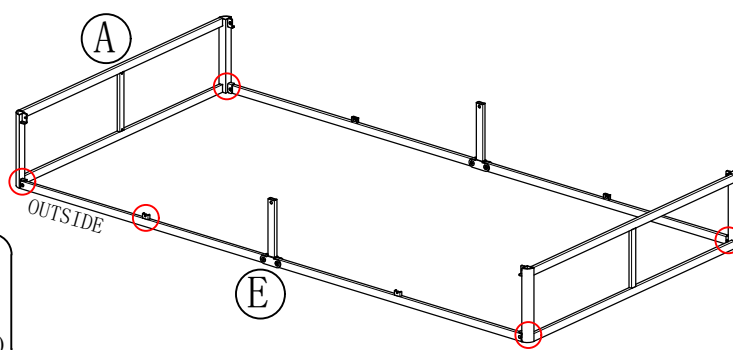
Step1:



E*2PCS A*2PCS

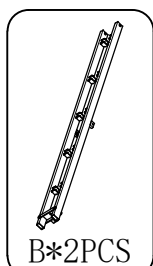


L*4pcs
M6*20 (bolt)

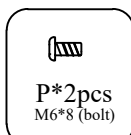


Detail

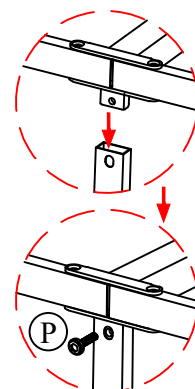
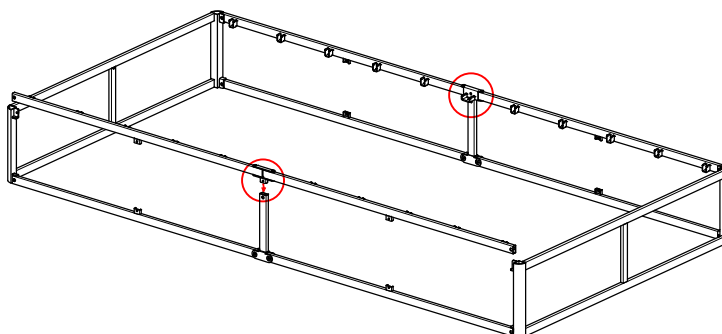
Step2:



B*2PCS

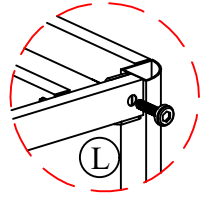
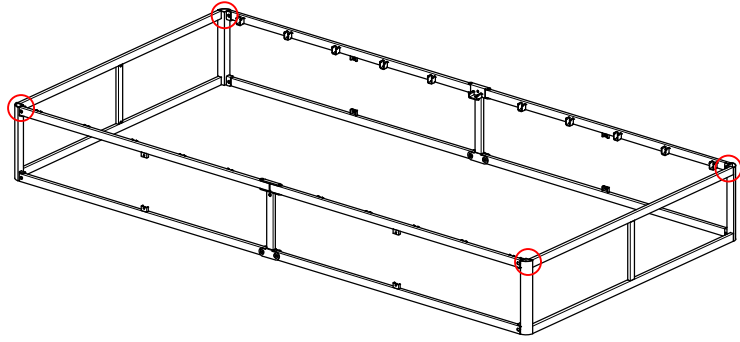


P*2pcs
M6*8 (bolt)

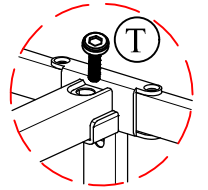
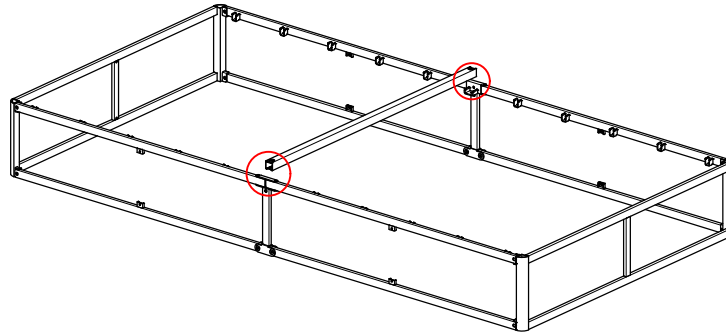
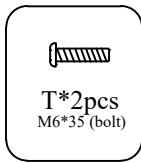
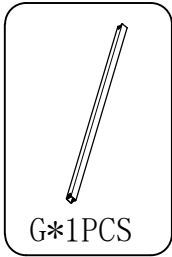


P

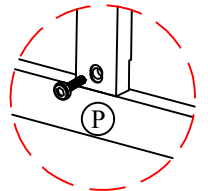
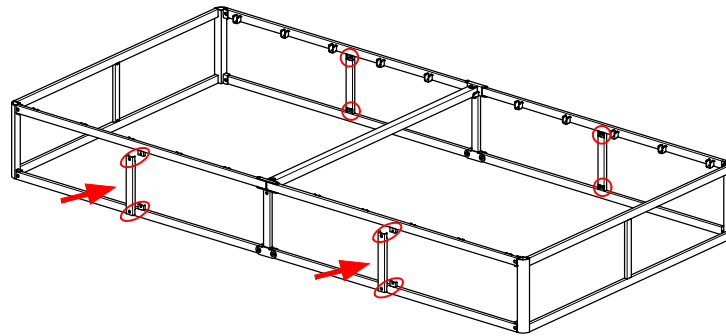
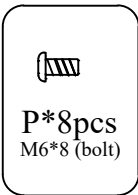
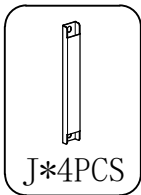
Step3:



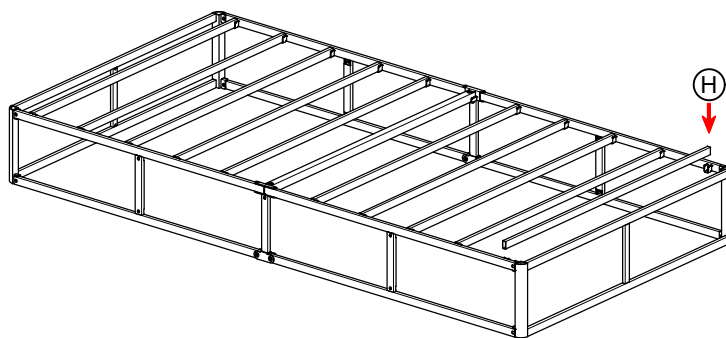
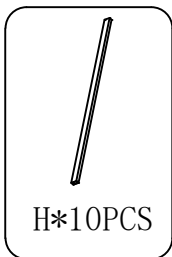
Step4:



Step5:

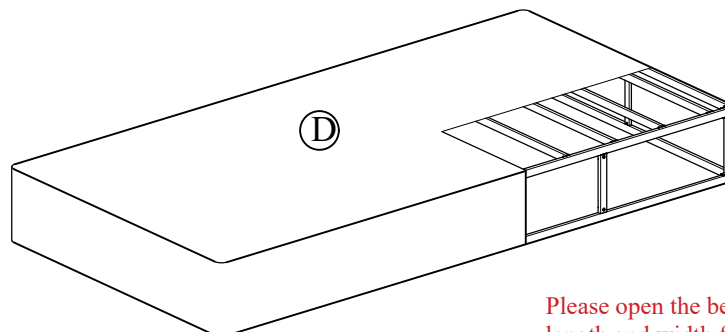
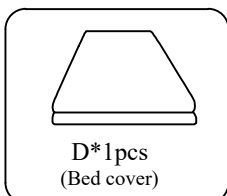


Step6:



Step7:

(Put on the fabric bedcover)



Please open the bed cover and distinguish the length and width first before use it, and make sure it will cover the box spring perfect.