



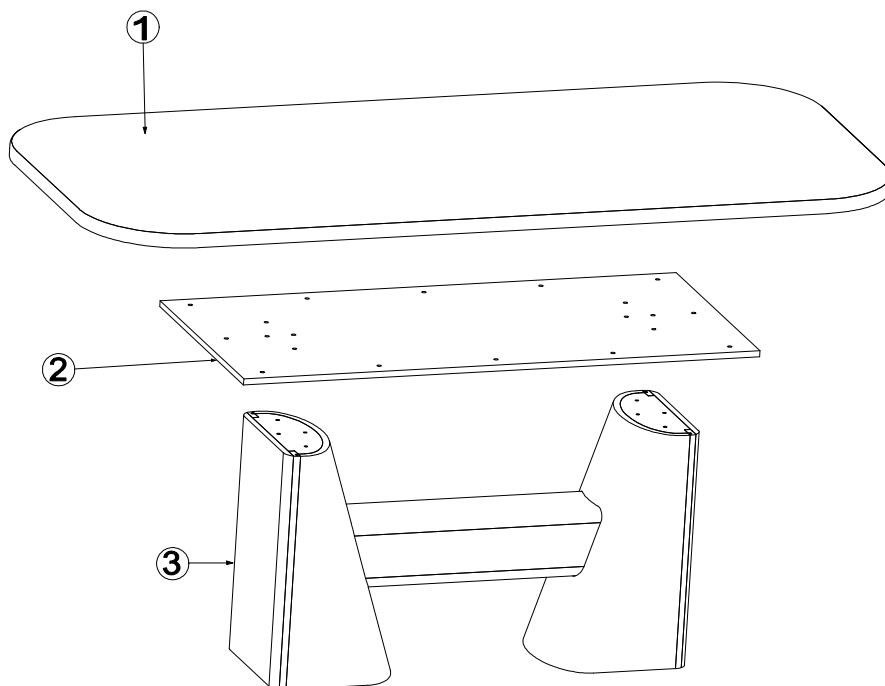
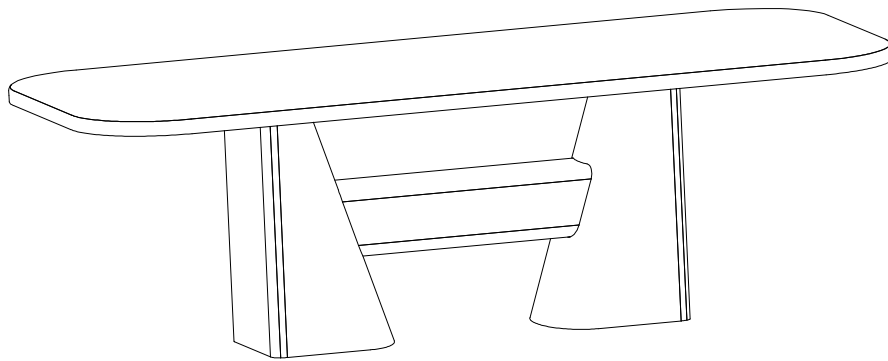


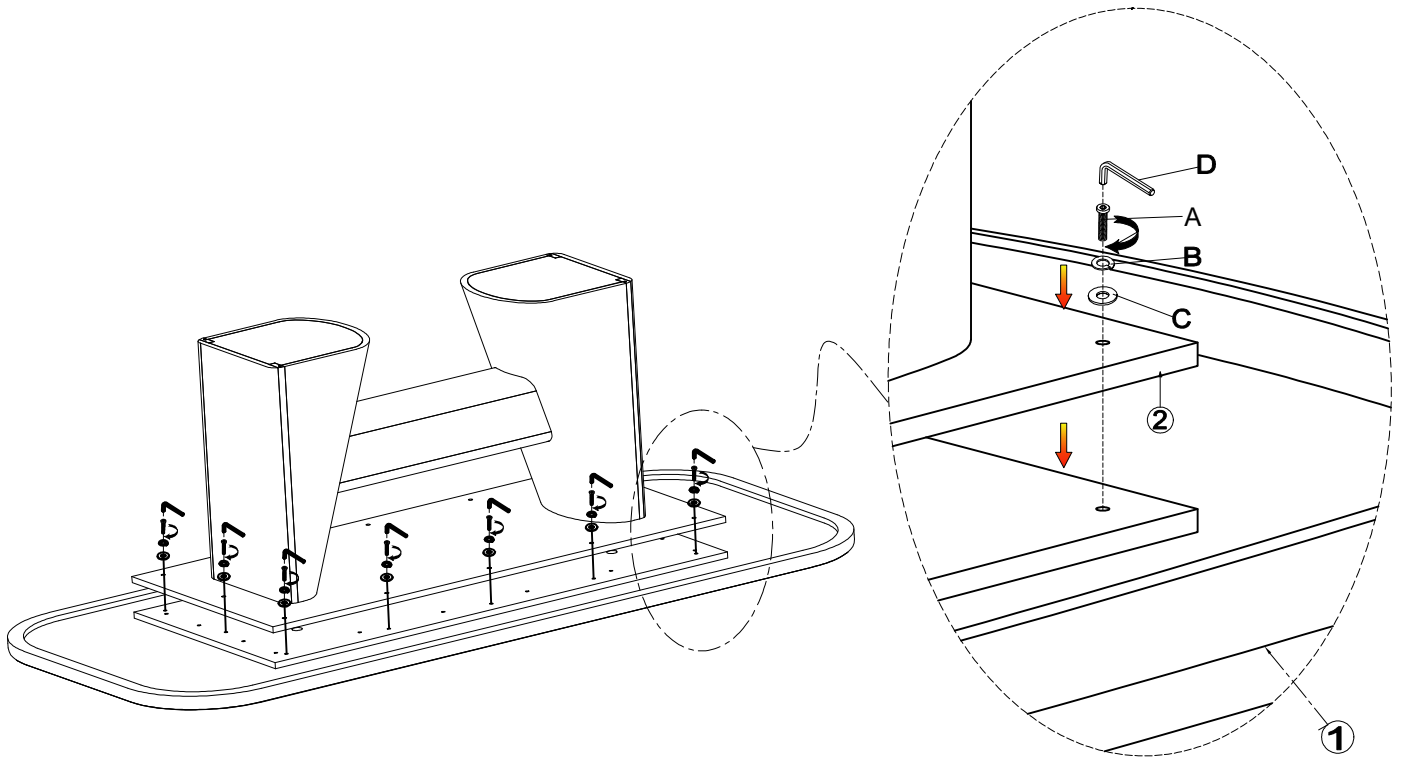
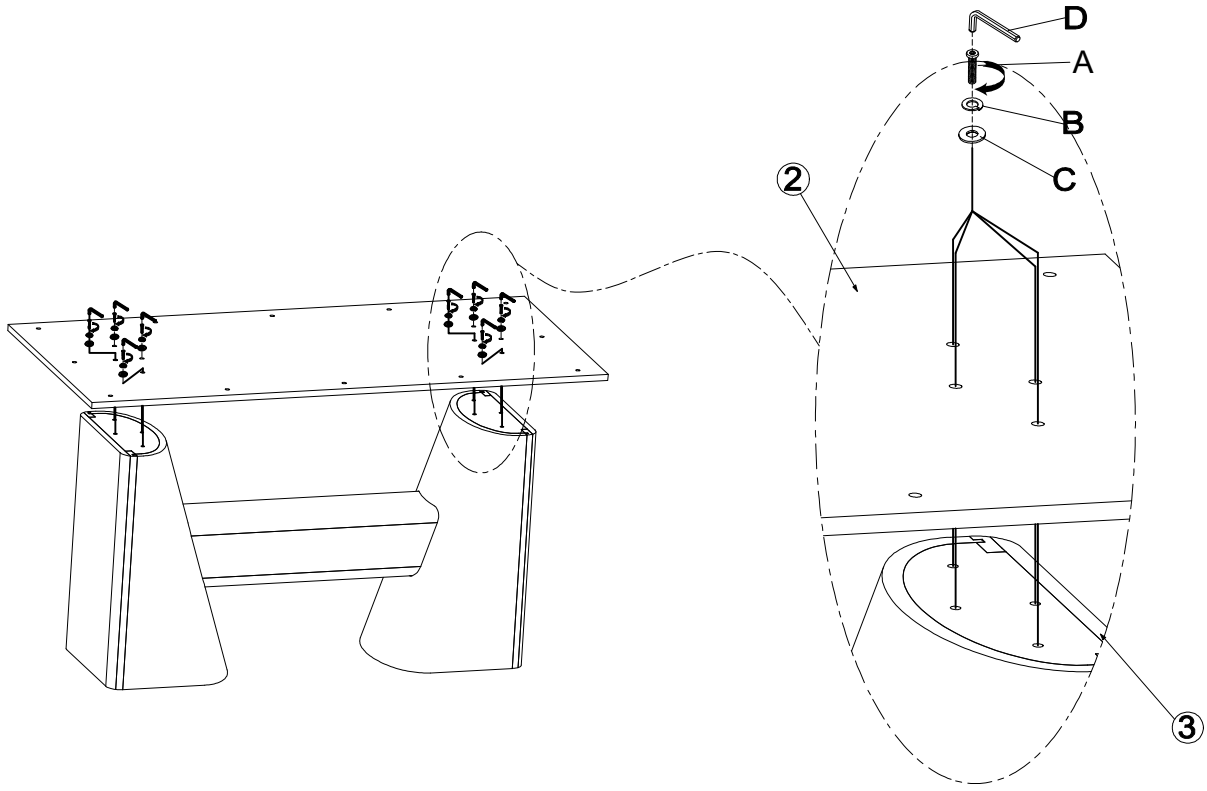
# ASSEMBLY INSTRUCTION FOR MODEL: HERSCHEL DINING TABLE

## HARDWARELIST

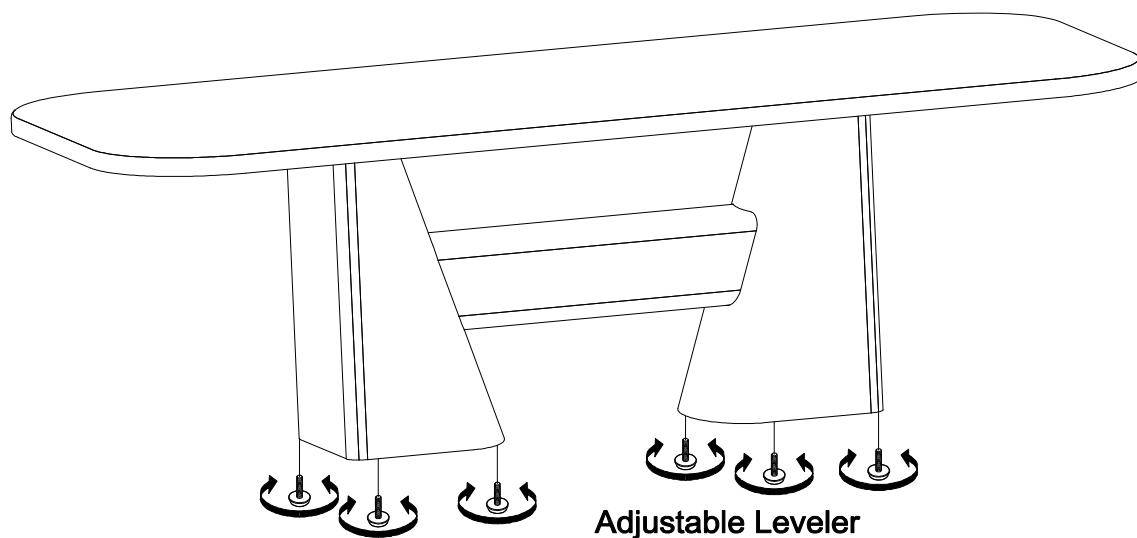
A		Bolt	Ø5/16"x38mm	20
B		Lock Washer	Ø5/16"x12*3mm	20
C		Flat Washer	Ø5/16"x19*2mm	20
D		Allen Wrench	5mm	1



# ASSEMBLY INSTRUCTION FOR MODEL: HERSCHEL DINING TABLE



# ASSEMBLY INSTRUCTION FOR MODEL: HERSCHEL DINING TABLE



## Adjusting Floor Levelers

Your furniture has been expertly crafted and pre-adjusted by professionals. However, slight shifts can occur during transportation. If you notice that the doors are not perfectly aligned or the furniture wobbles, a quick adjustment can help ensure stability and a seamless look.

### Adjust the Floor Levelers

**Check for Stability** - Place the furniture in its final position on a level surface. If it wobbles or doesn't sit evenly, the floor levelers need adjusting.

**Locate the Levelers** - These are small adjustable feet found at the bottom corners of your furniture.

**Adjust as Needed** - Using your hand or a wrench, turn the levelers clockwise to raise or counterclockwise to lower the furniture. Make small adjustments and check stability after each turn.