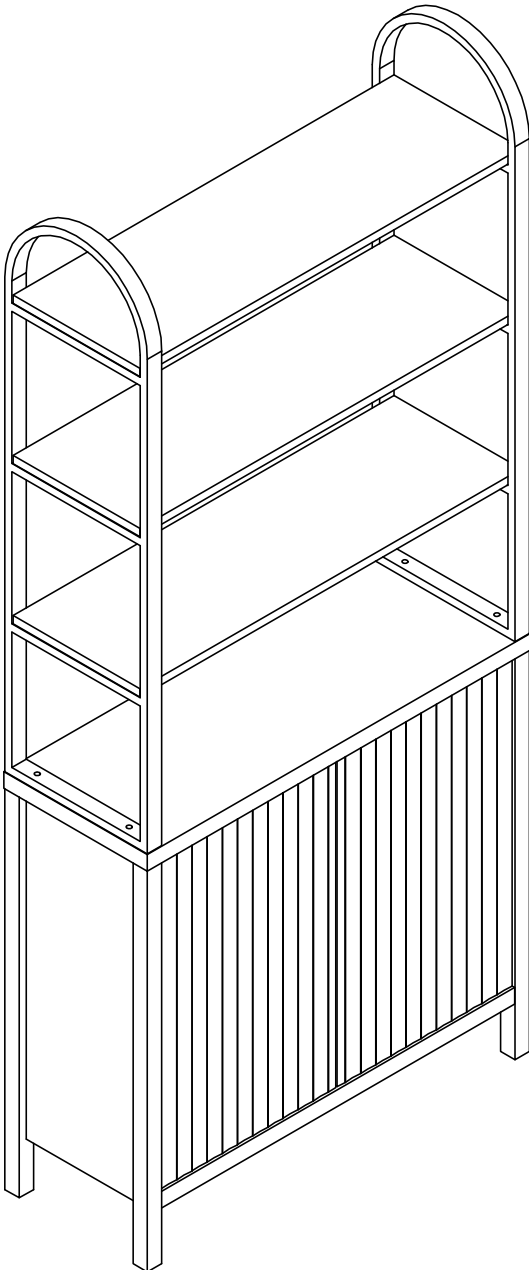


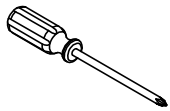
Installation Instruction



Assembling

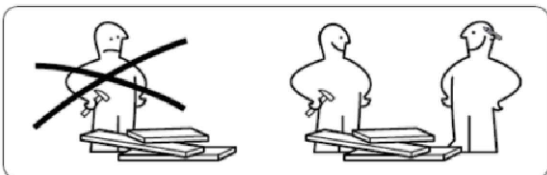
What you need

- Use the packaging carton as a working surface to prevent product damage during assembly
- Phillips head screwdriver



Weight Limitation


100 | **35**
 lbs table top lbs per

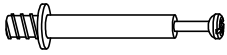


What' included

| Code | Description | Qty |
|------|----------------------------|-----|
| A | Cam Bolt M6X35MM | 12 |
| B | Cam Lock 15X9MM | 12 |
| C | Wooden Dowel M8X30MM | 4 |
| D | Screw M4X40MM | 2 |
| E | Screw M6X25MM | 16 |
| F | Hinge | 4 |
| G | Nylon Strap | 2 |
| H | Screw M3.5X14MM | 40 |
| I | EVA foot mat | 4 |
| J | The back button | 12 |
| K | Anchor | 2 |
| L | Shelf Holder | 4 |
| M | Door Rebound Device | 2 |
| N | Door Rebound Device Holder | 2 |
| O | Hole position sticker | 12 |
| P | Wrench M4X55MM | 1 |

The Hardwares

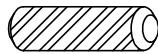
A



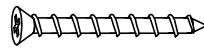
B



C



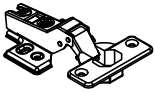
D



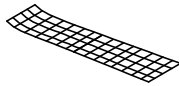
E



F



G



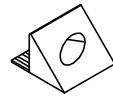
H



I



J



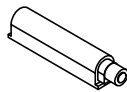
K



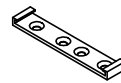
L



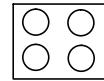
M



N



O



P



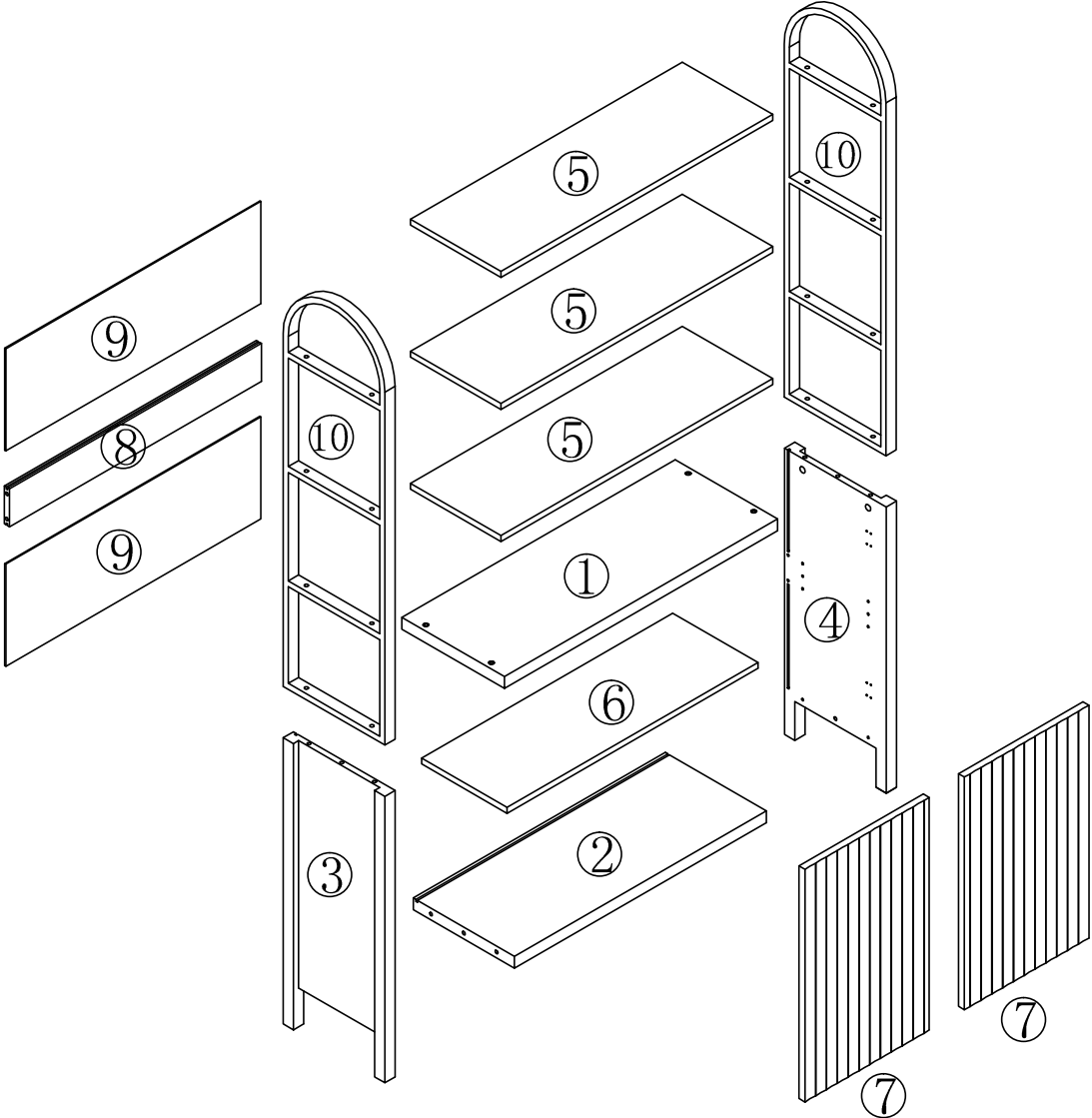
IMPORTANT:

1. Do not tighten bolts / screws completely until all bolts / screws are lined up and inserted into holes.
2. Do not over tighten screws and bolts to avoid stripping
3. Please use hand tools to assemble this product, you can also use power tools (please use power tools carefully)

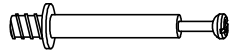
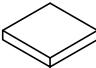
Included Accessories

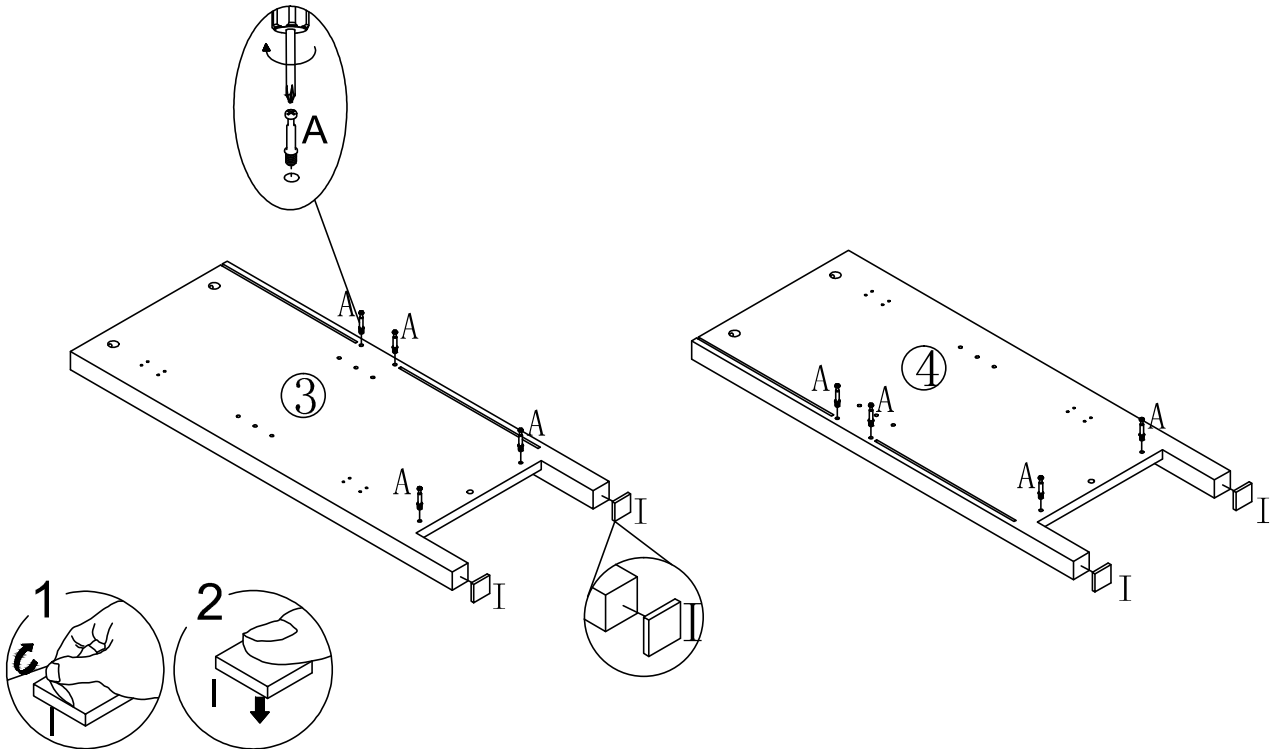
| Code | Description | Qty |
|------|------------------|-----|
| 1 | Cabinet Top | 1 |
| 2 | Bottom Panel | 1 |
| 3 | Left Side Panel | 1 |
| 4 | Right Side Panel | 1 |
| 5 | Fixed laminate | 3 |
| 6 | Movable laminate | 1 |
| 7 | Door leaf | 2 |
| 8 | Back brace | 1 |
| 9 | Backboard | 2 |
| 10 | Side frame | 2 |

The Accessoriess

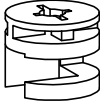
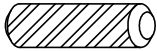
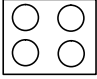


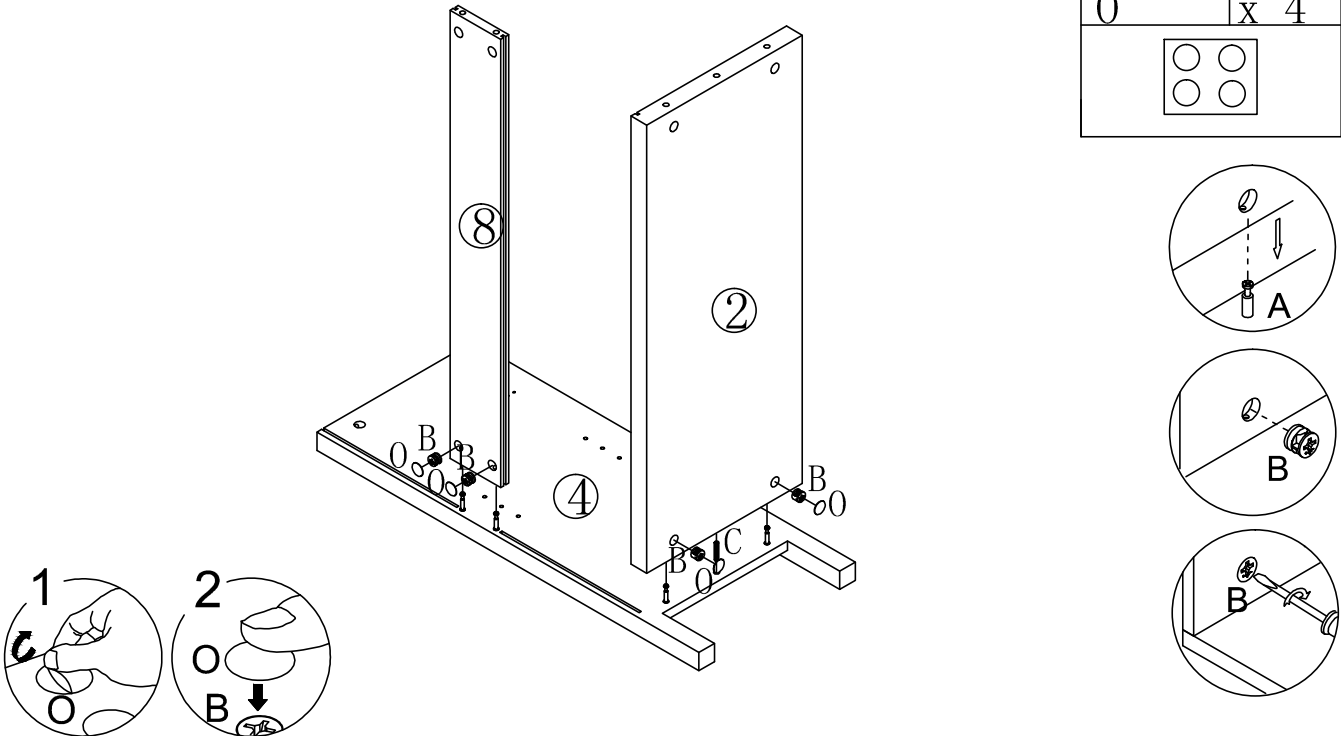
Step 1

| | | | |
|--|-----|---|-----|
| A | x 8 | I | x 4 |
|  | |  | |

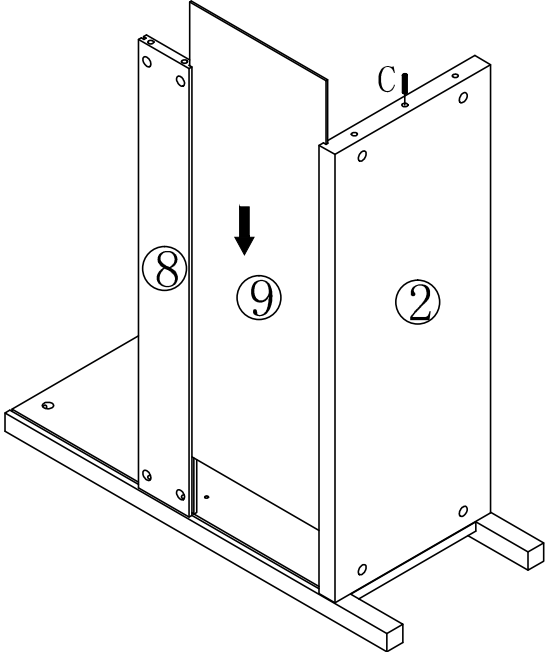
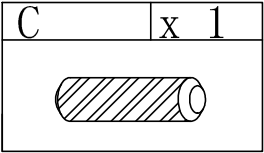


Step 2

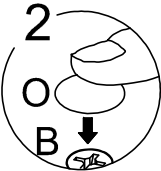
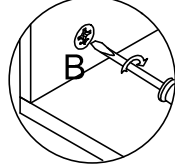
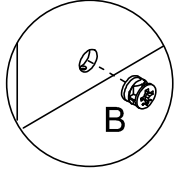
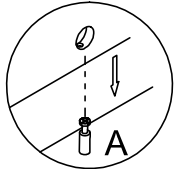
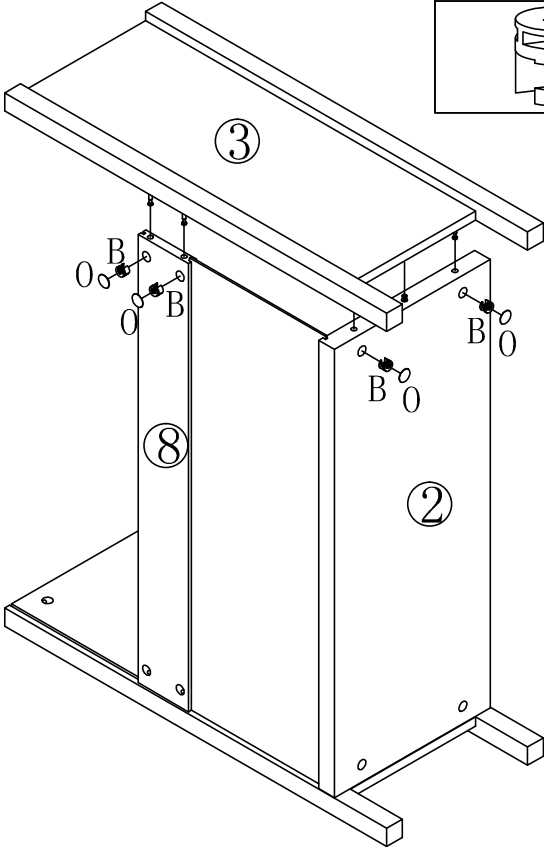
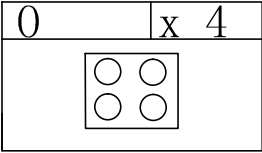
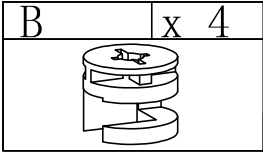
| | | | |
|---|-----|---|-----|
| B | x 4 | C | x 1 |
|  | |  | |
| O | x 4 | | |
|  | | | |



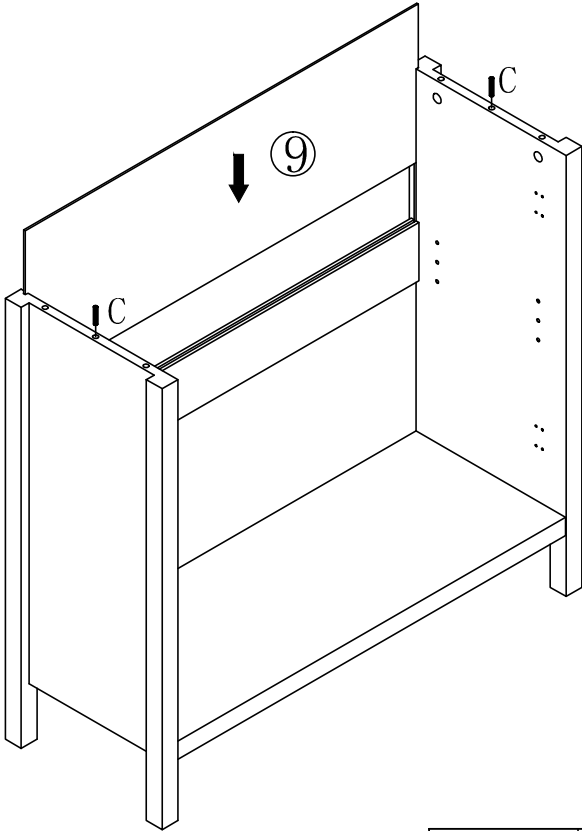
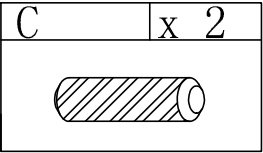
Step 3



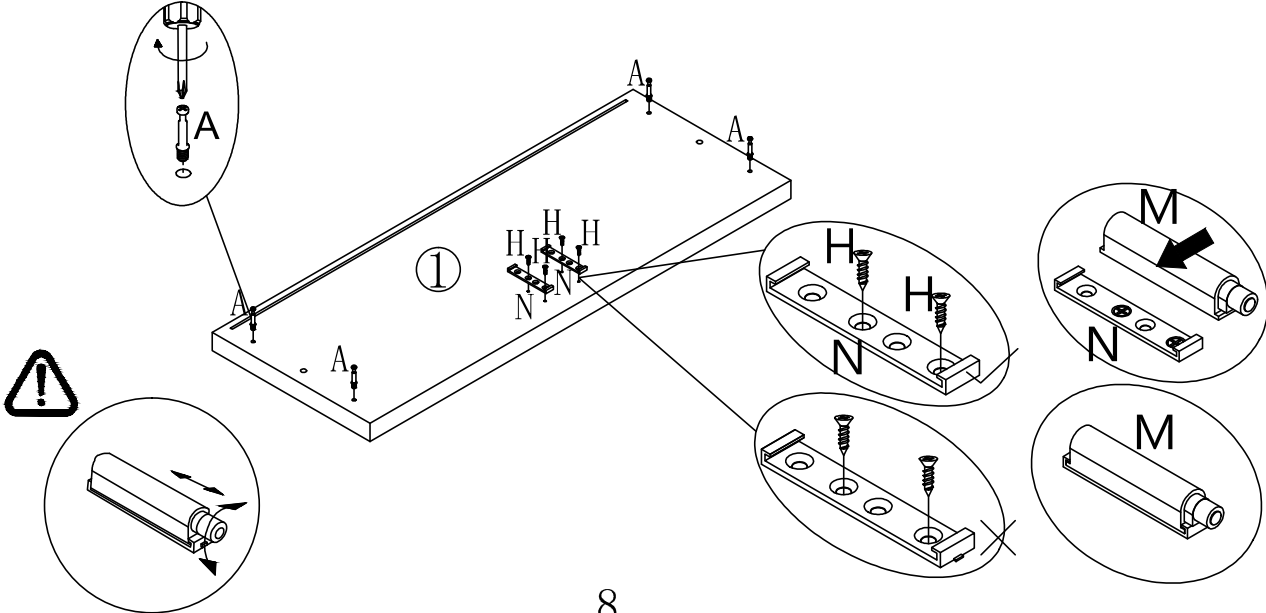
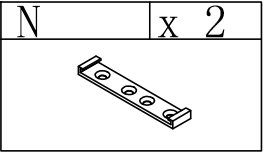
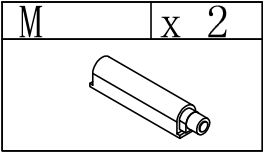
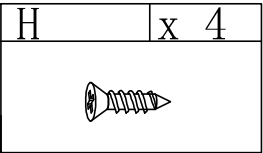
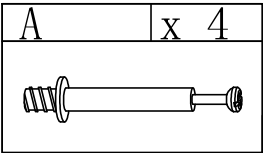
Step 4



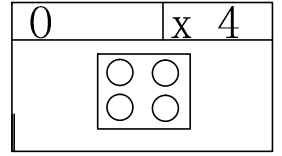
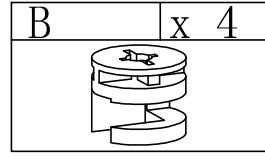
Step 5



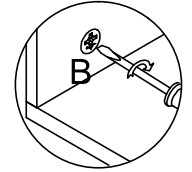
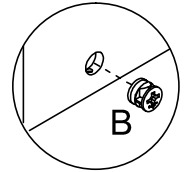
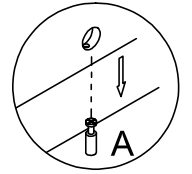
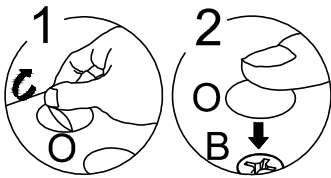
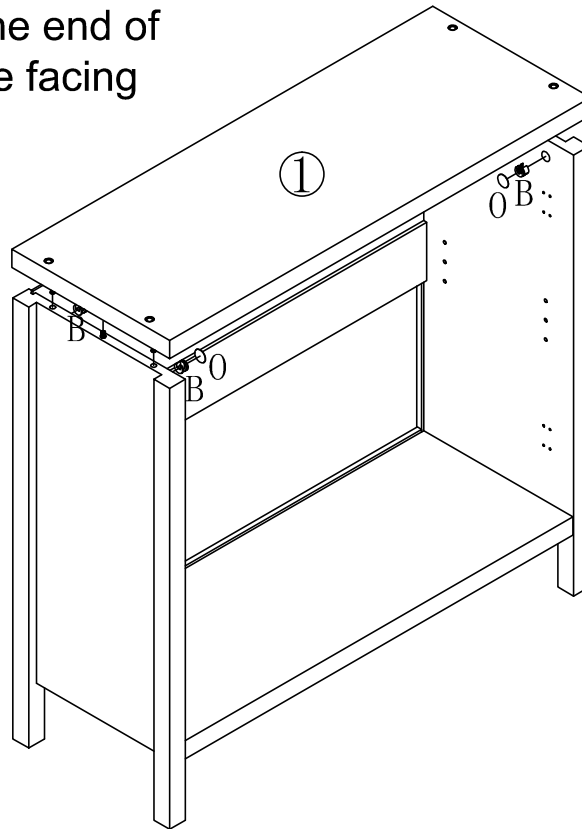
Step 6



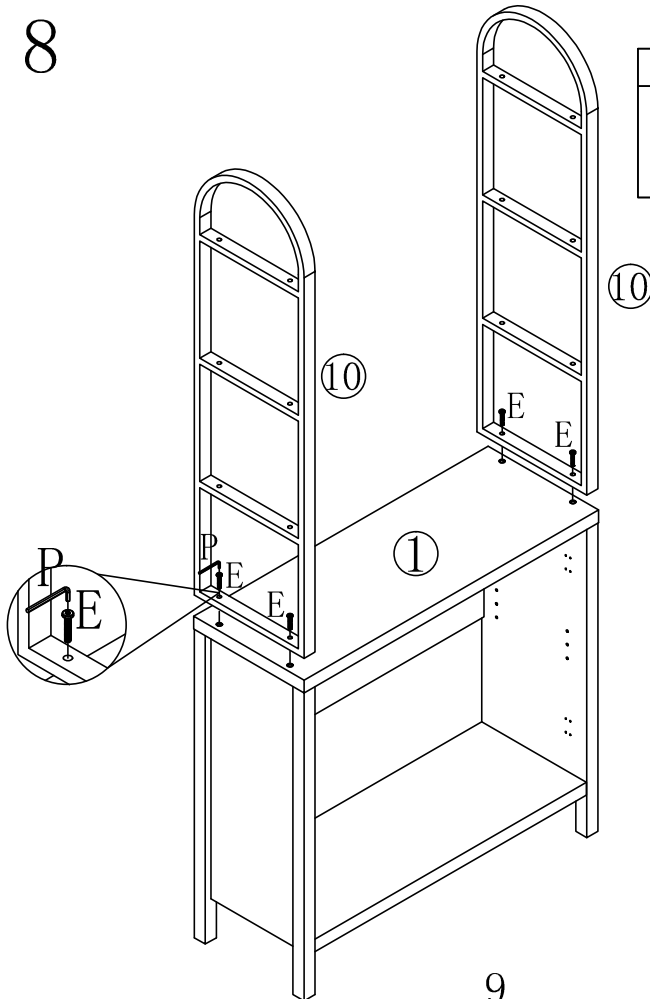
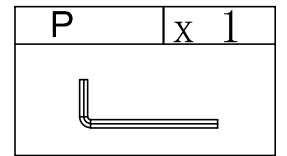
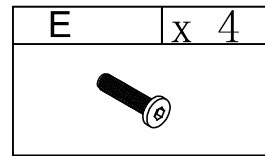
Step 7



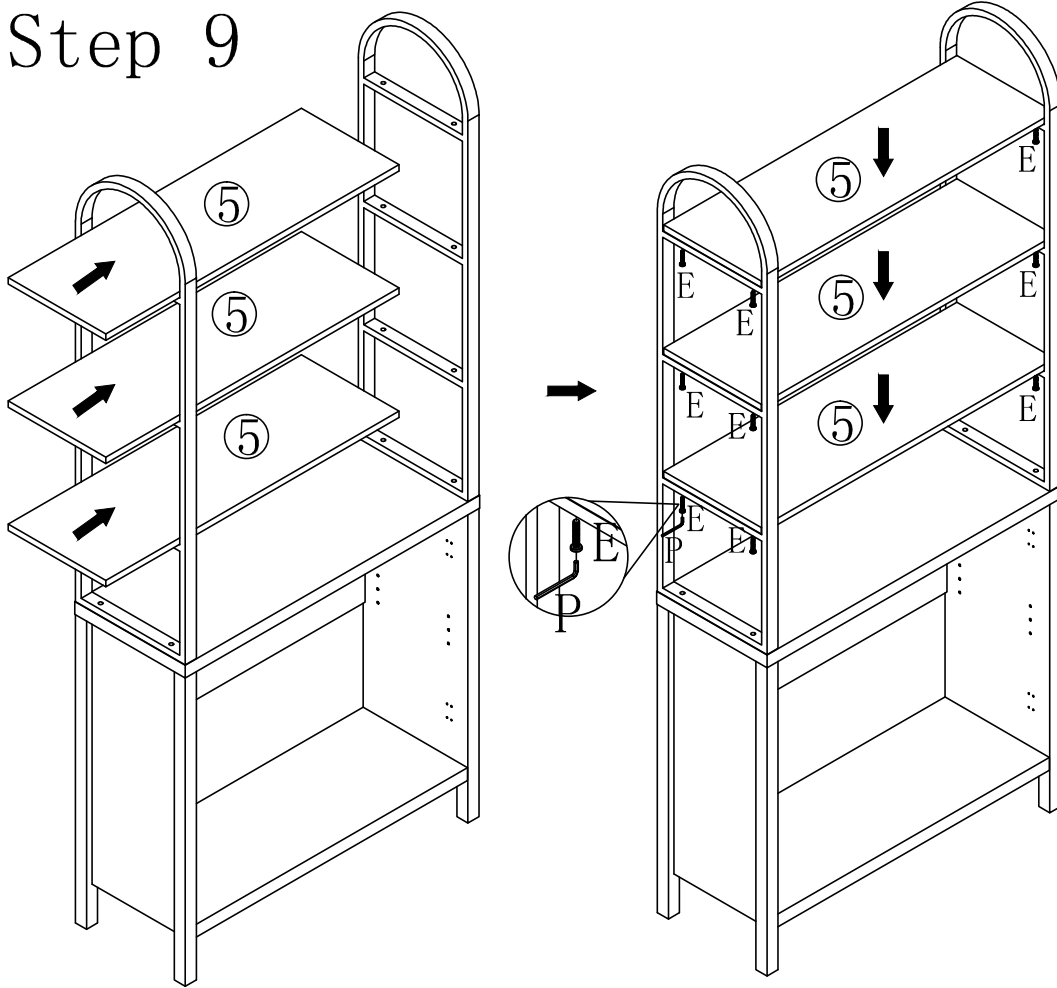
Board 1 has one end of the drawgroove facing backward



Step 8



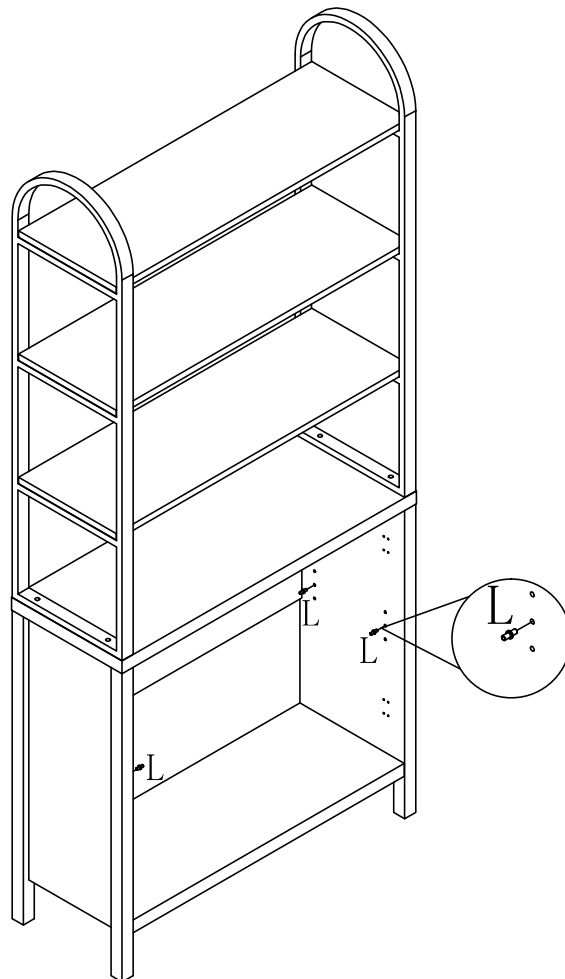
Step 9



| | |
|---|------|
| E | x 12 |
| | |

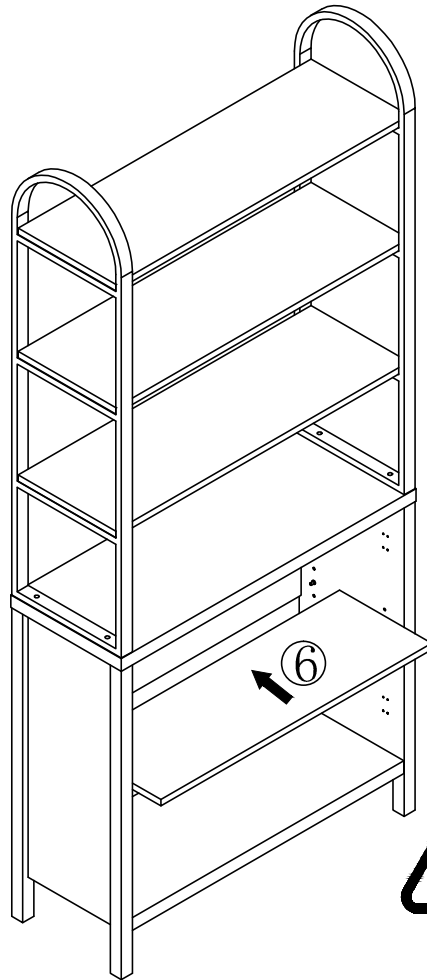
| | |
|---|-----|
| P | x 1 |
| | |

Step 10



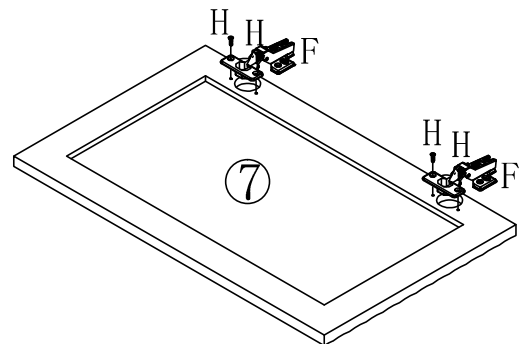
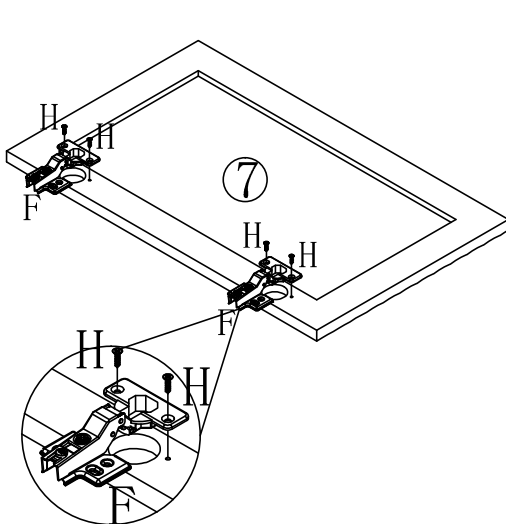
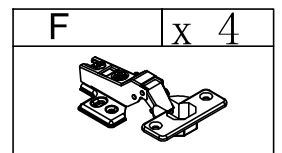
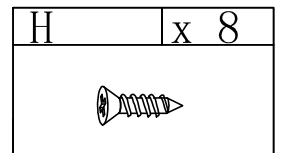
| | |
|---|-----|
| L | x 4 |
| | |

Step 11




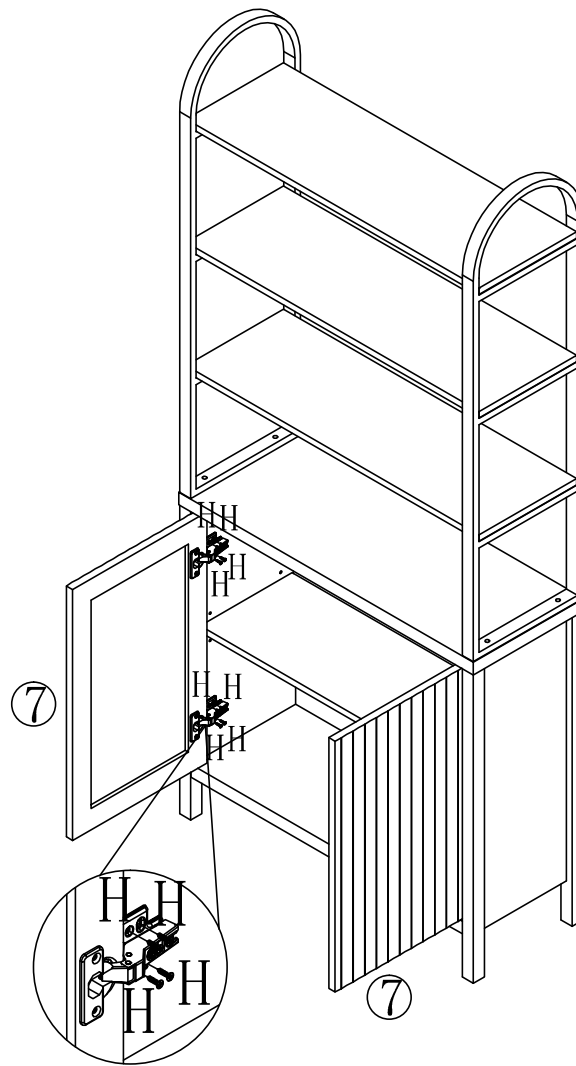
The long side of No. 6 board has one end of the PVC sealing strip facing forward

Step 12



Step 13

| | |
|---|------|
| H | x 16 |
|  | |



How do I get the two doors to align flat by adjusting the hinges?



01 Adjust the screws shown in Figure 1 to adjust the doors up and down.



02 Adjust the screws shown in Fig. 2 and pull the door back and forth so that it can be opened smoothly.

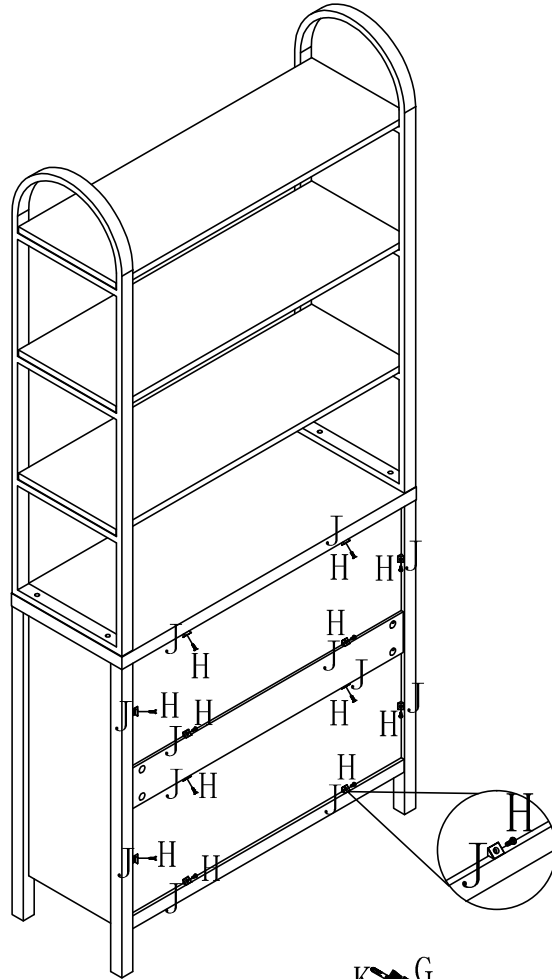



03 Adjust the screws shown in Figure 3 to adjust the door left and right to the right position.

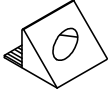


04 After the adjustment is complete, install the remaining two screws to secure the door in place.

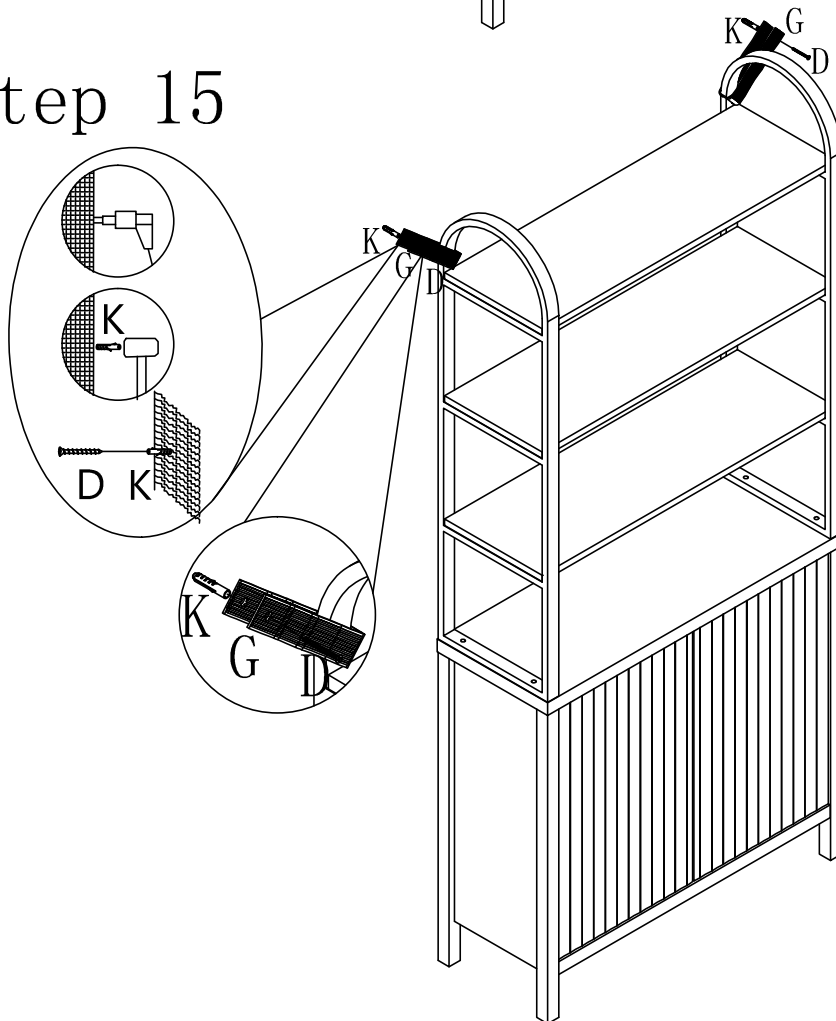
Step 14

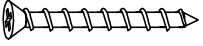


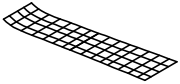
| | |
|---|------|
| H | x 12 |
|  | |


| | |
|---|------|
| J | x 12 |
|  | |

Step 15

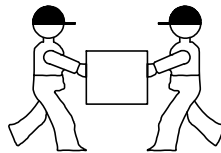
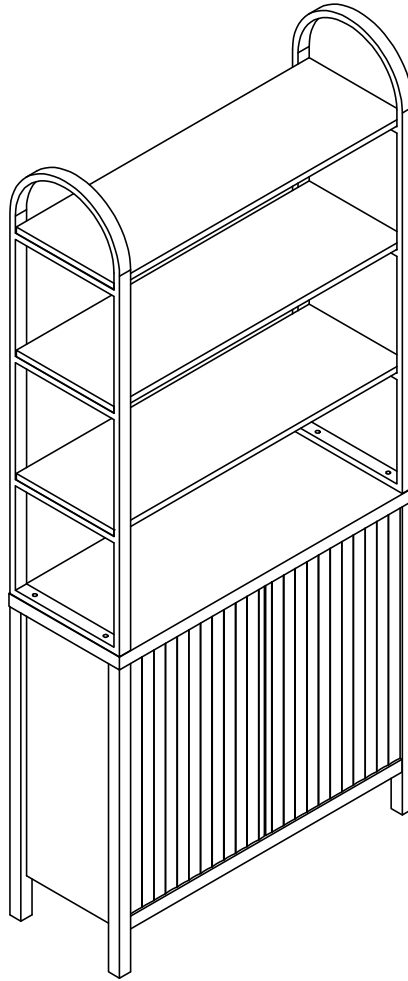


| | |
|---|-----|
| D | x 2 |
|  | |

| | |
|---|-----|
| G | x 2 |
|  | |

| | |
|---|-----|
| K | x 2 |
|  | |

Step 16



Two people work together to move the table.
Make sure you lift it off the ground.
Don't push and pull.