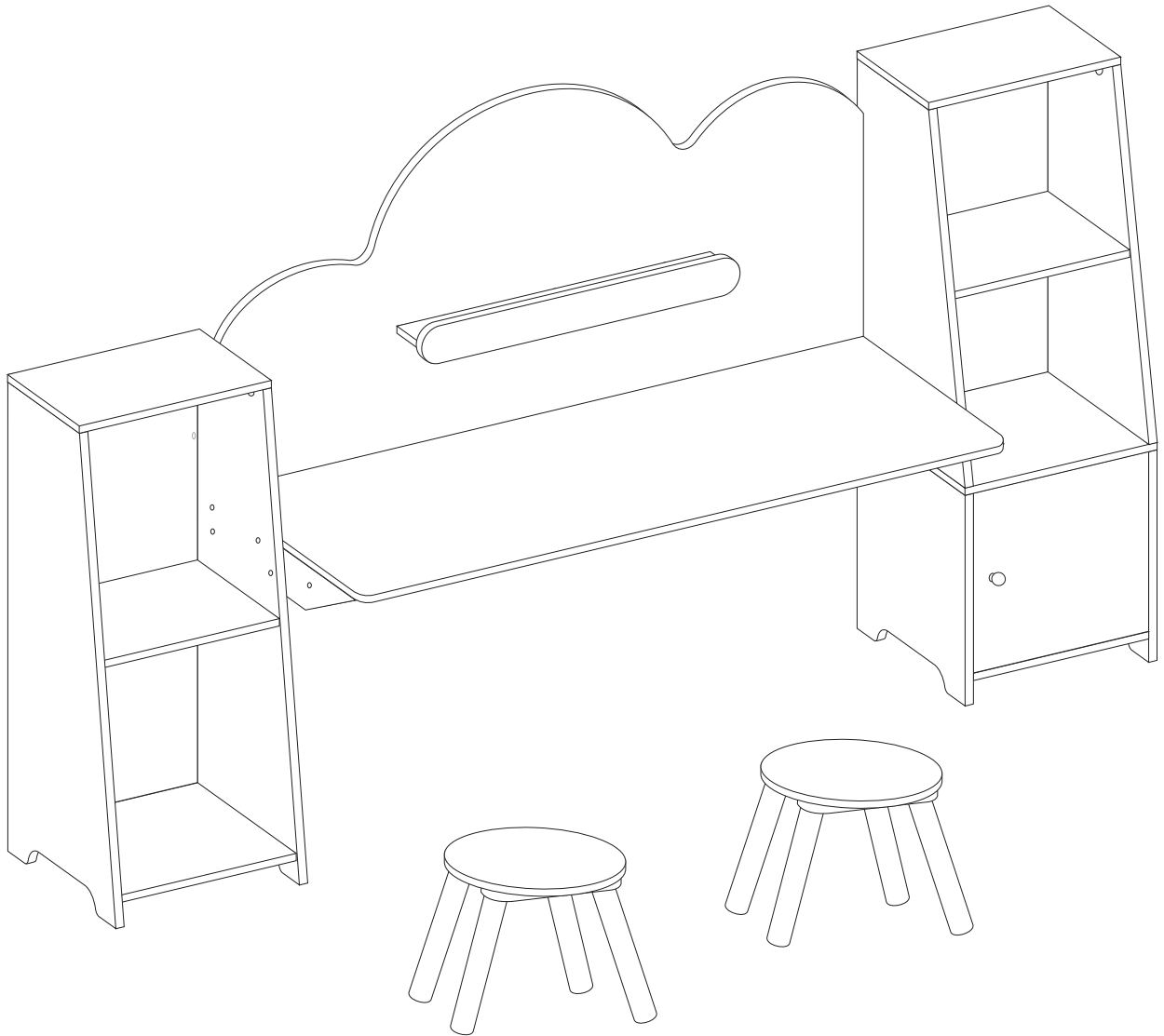
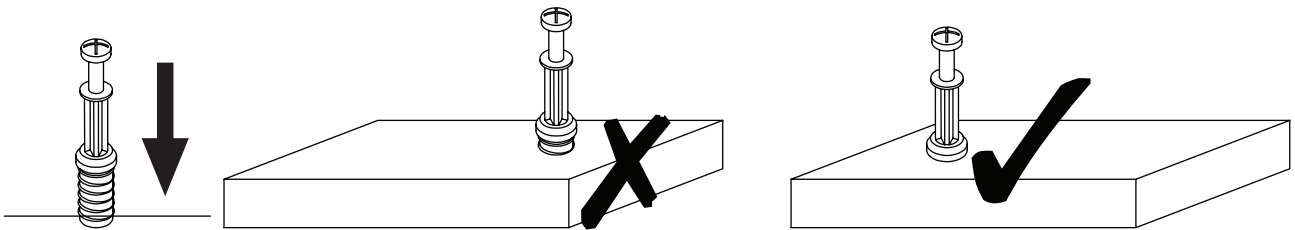


ASSEMBLY INSTRUCTIONS

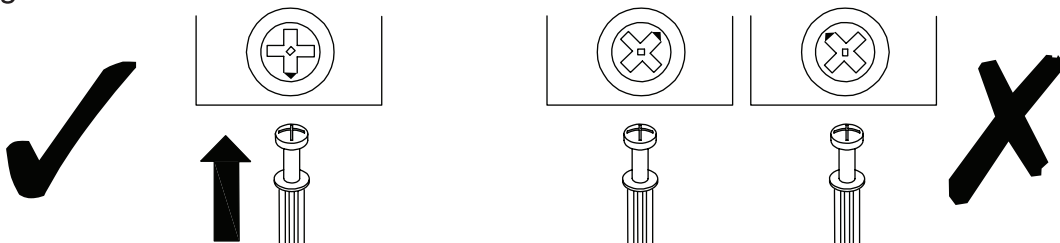


If you have any question about the installation, please do not hesitate to contact us, we will reply to you within 24 hours and do our best to help you solve all problems.

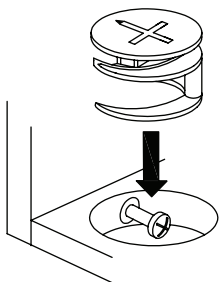
Before You Start



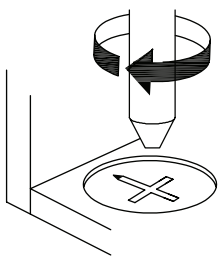
QUICKFIT: Tighten quickfit until shoulder is flush with panel. Do not overtighten or undertighten.



CAM LOCK: When fitting cam lock, ensure starting position is correct before you insert connecting quickfit.



Quickfit head should be in the centre of the cam lock when the two panels are joined.
Cam lock should be inserted before quickfit.



Turn cam lock clockwise to tighten.

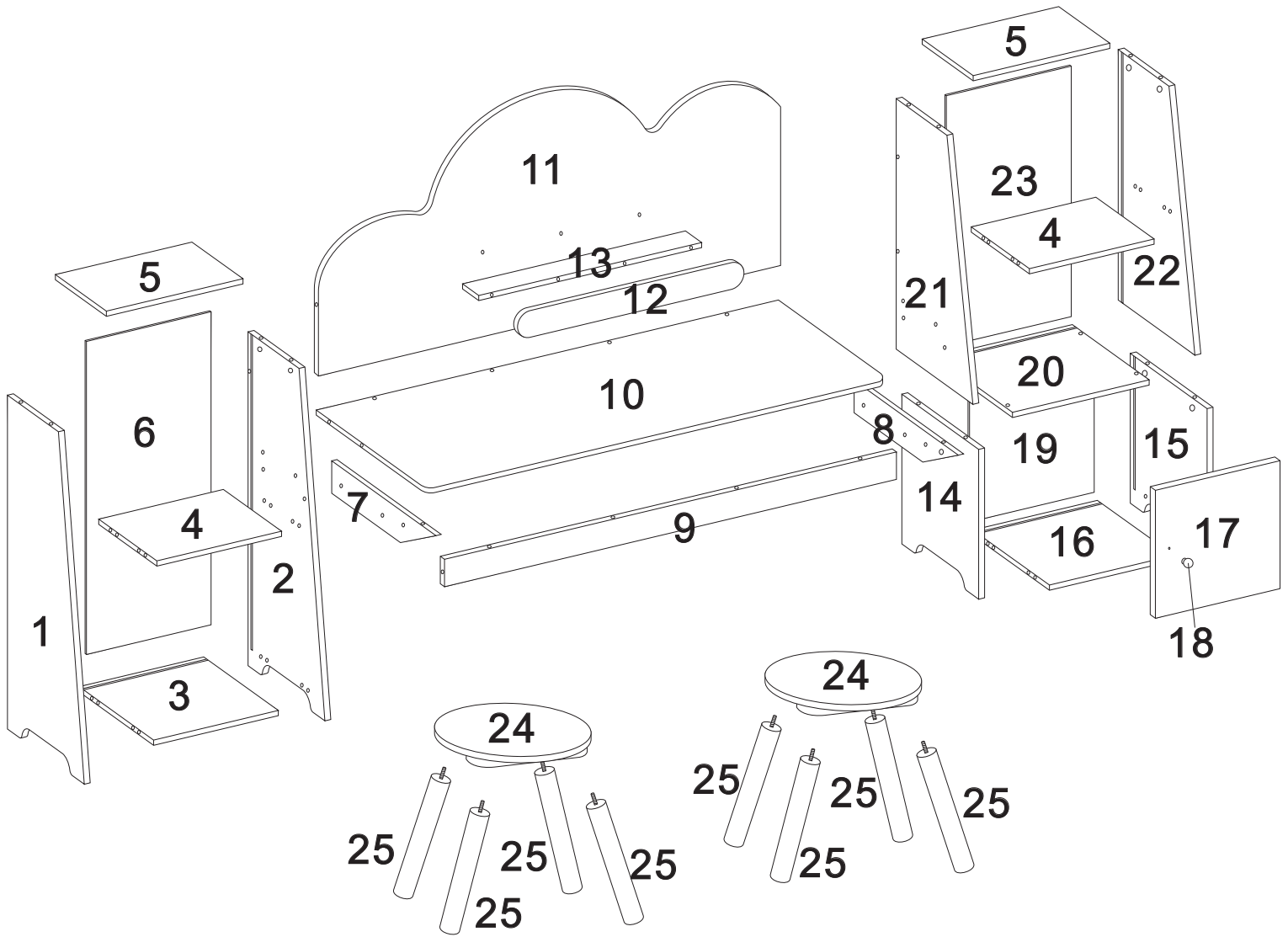


! WARNING
CHOKING HAZARD-
Small parts. Not for children under 3 yrs.



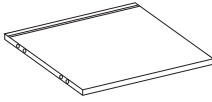
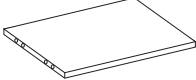


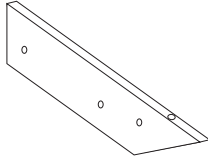
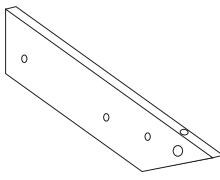

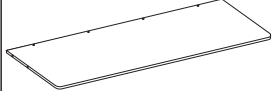
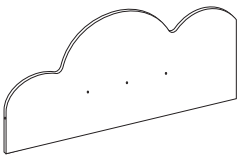
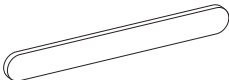
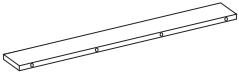
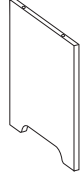
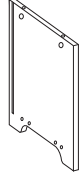
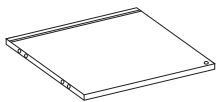
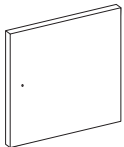

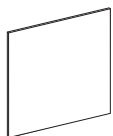
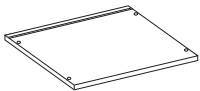





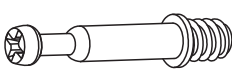
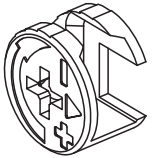
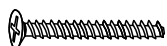


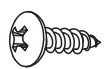
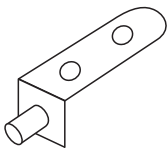
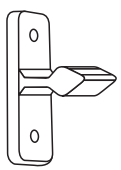
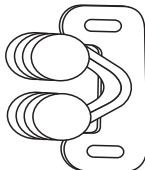




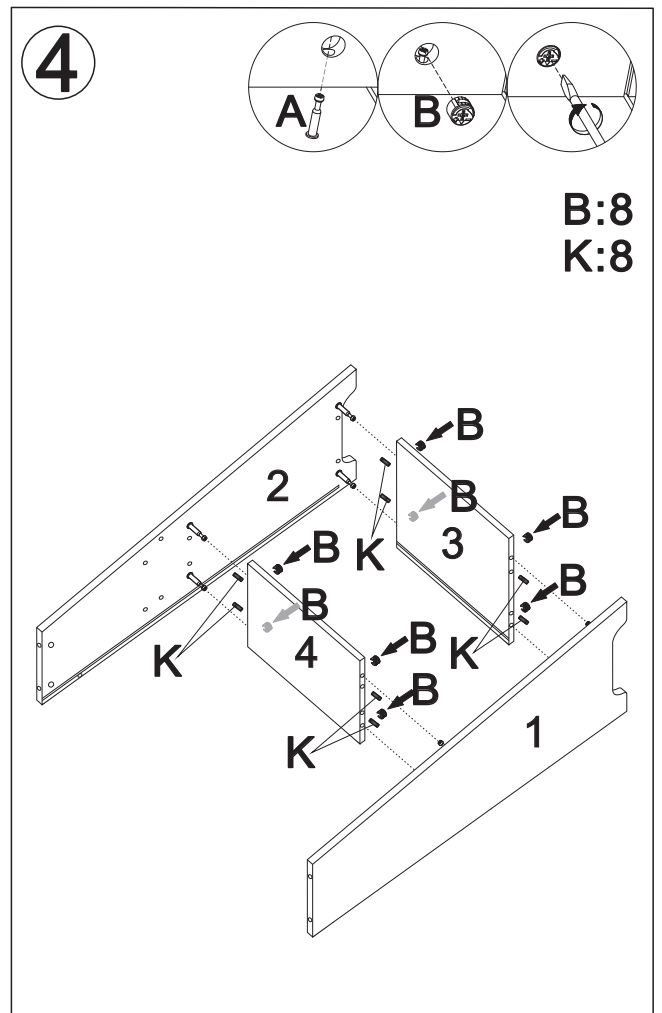
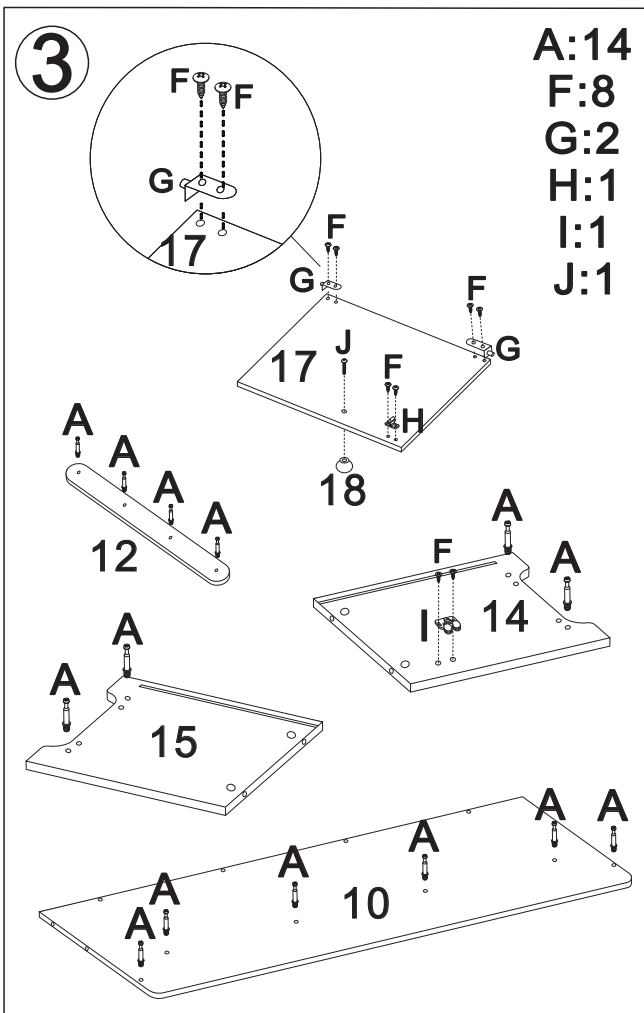
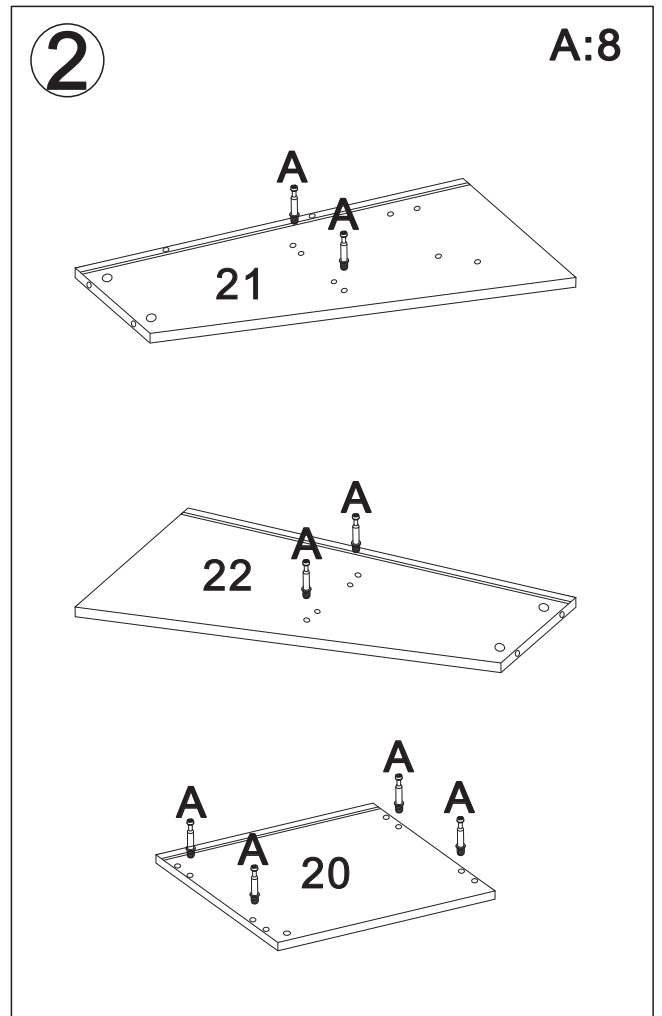
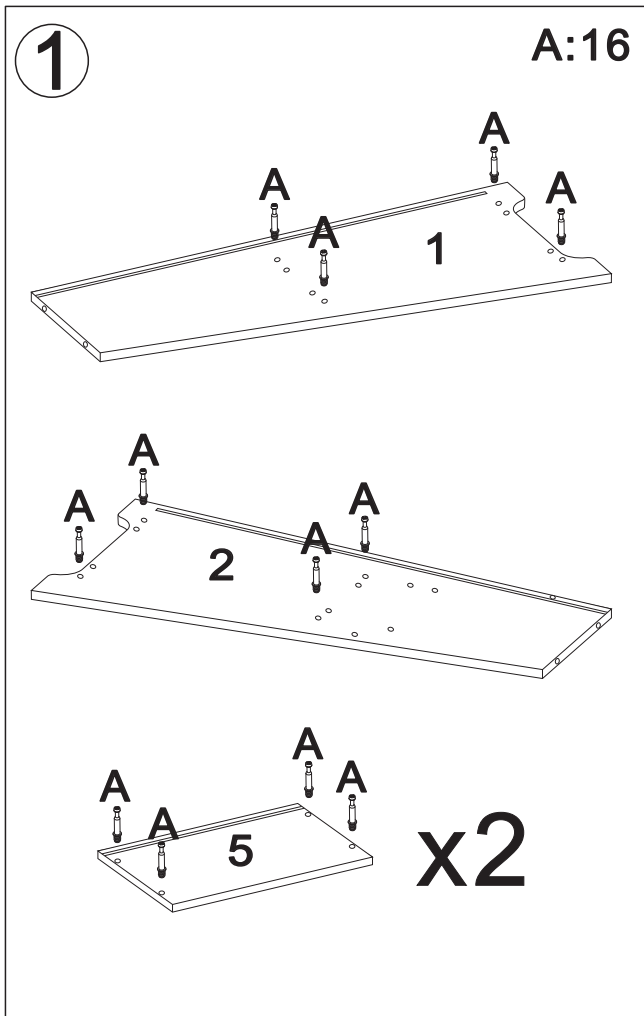
WARNING:
Assembly by an adult

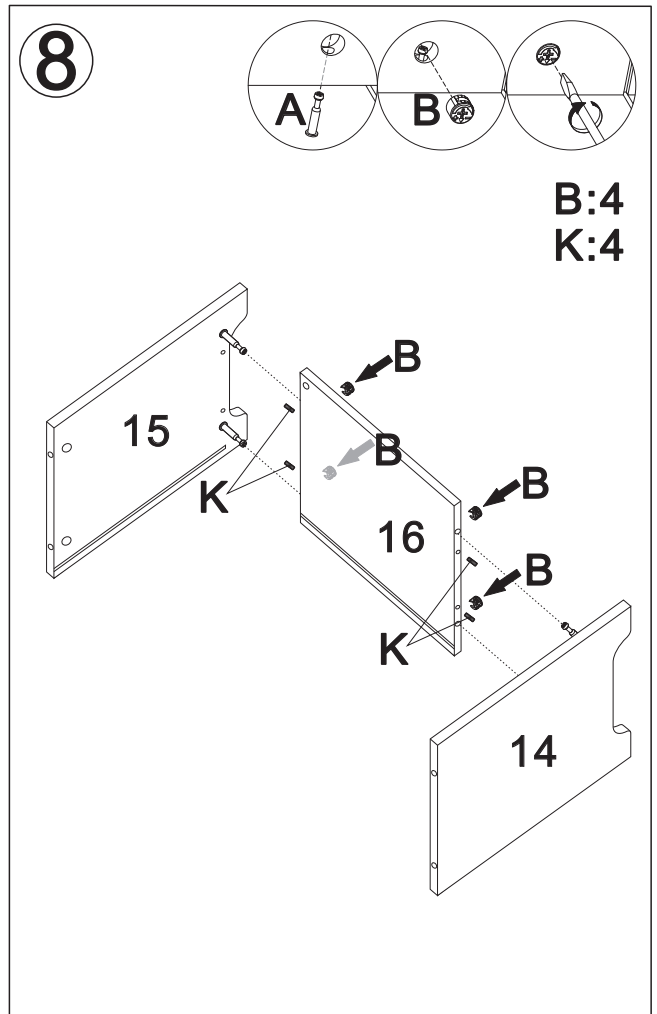
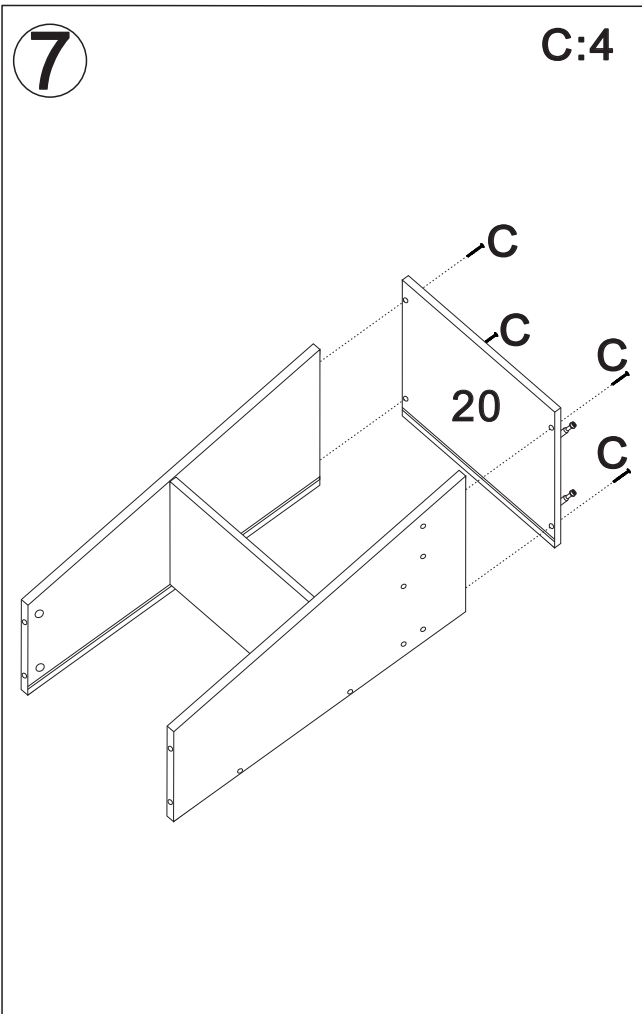
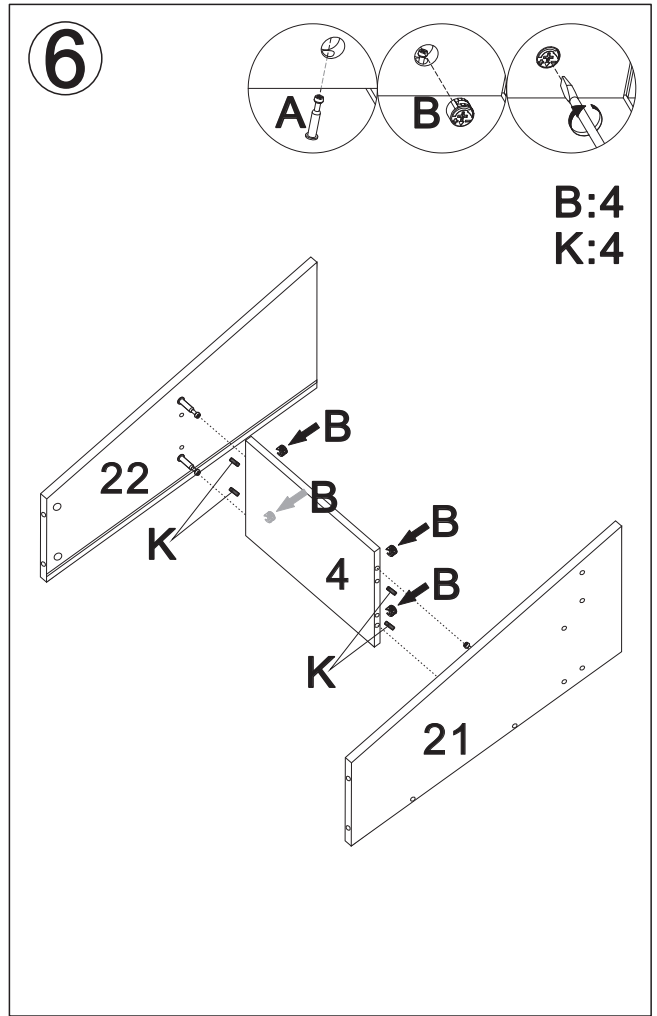
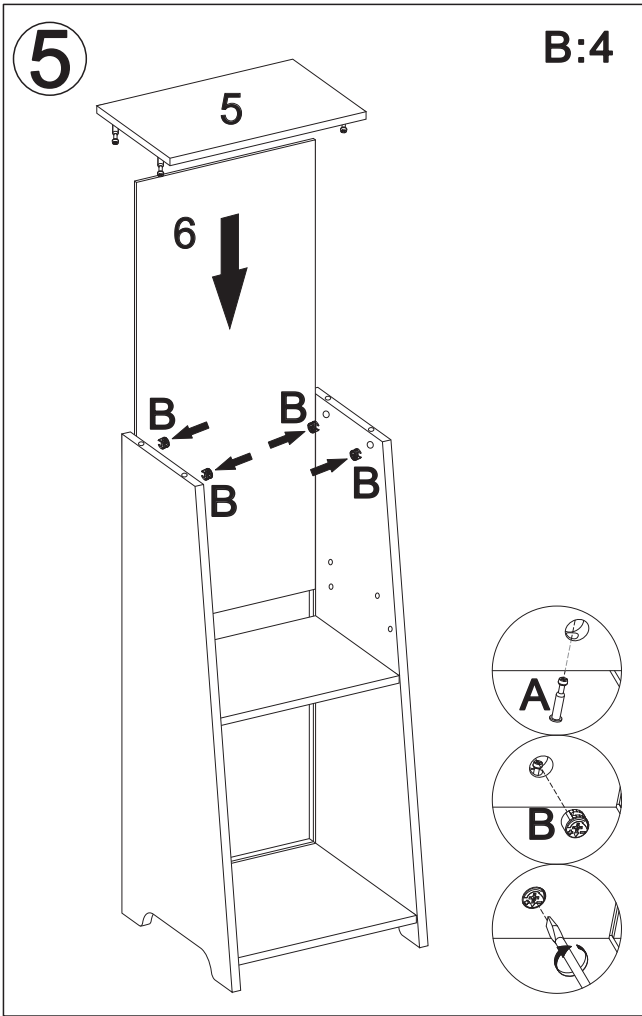
EXPLODED DRAWING

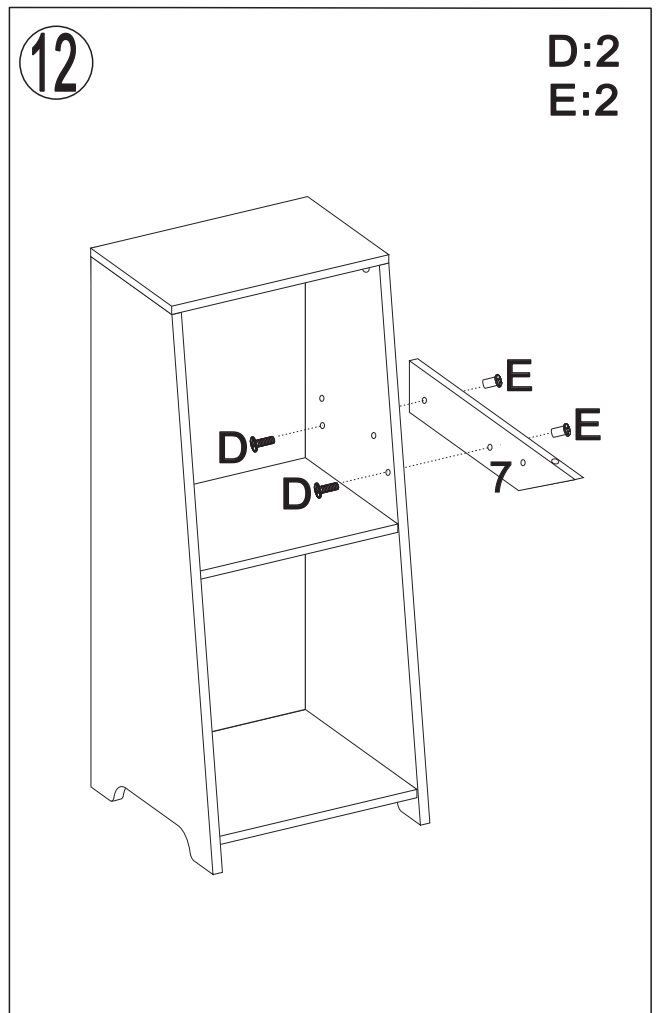
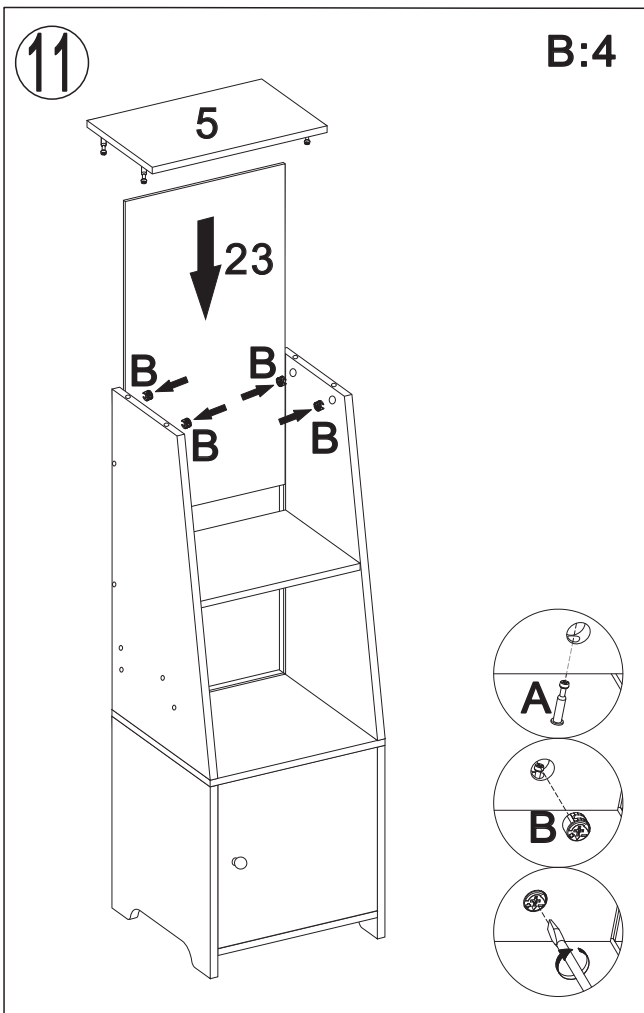
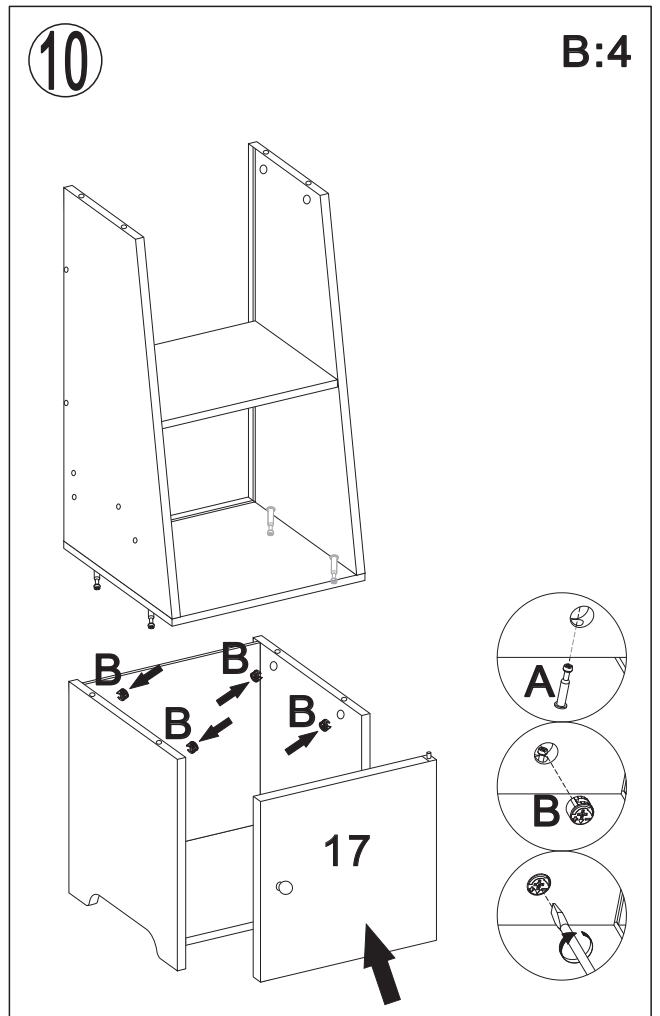
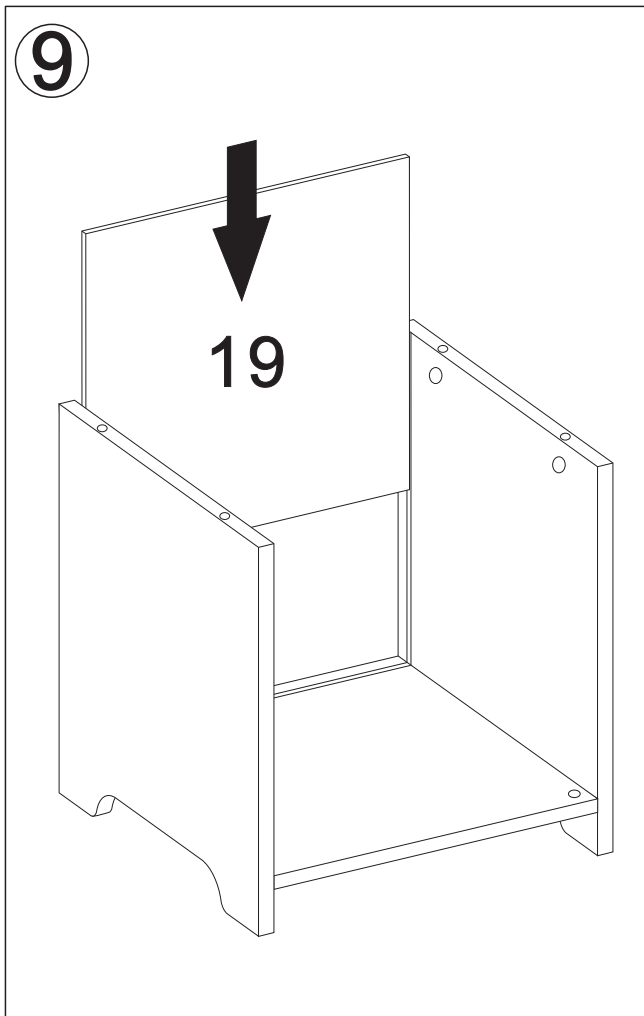


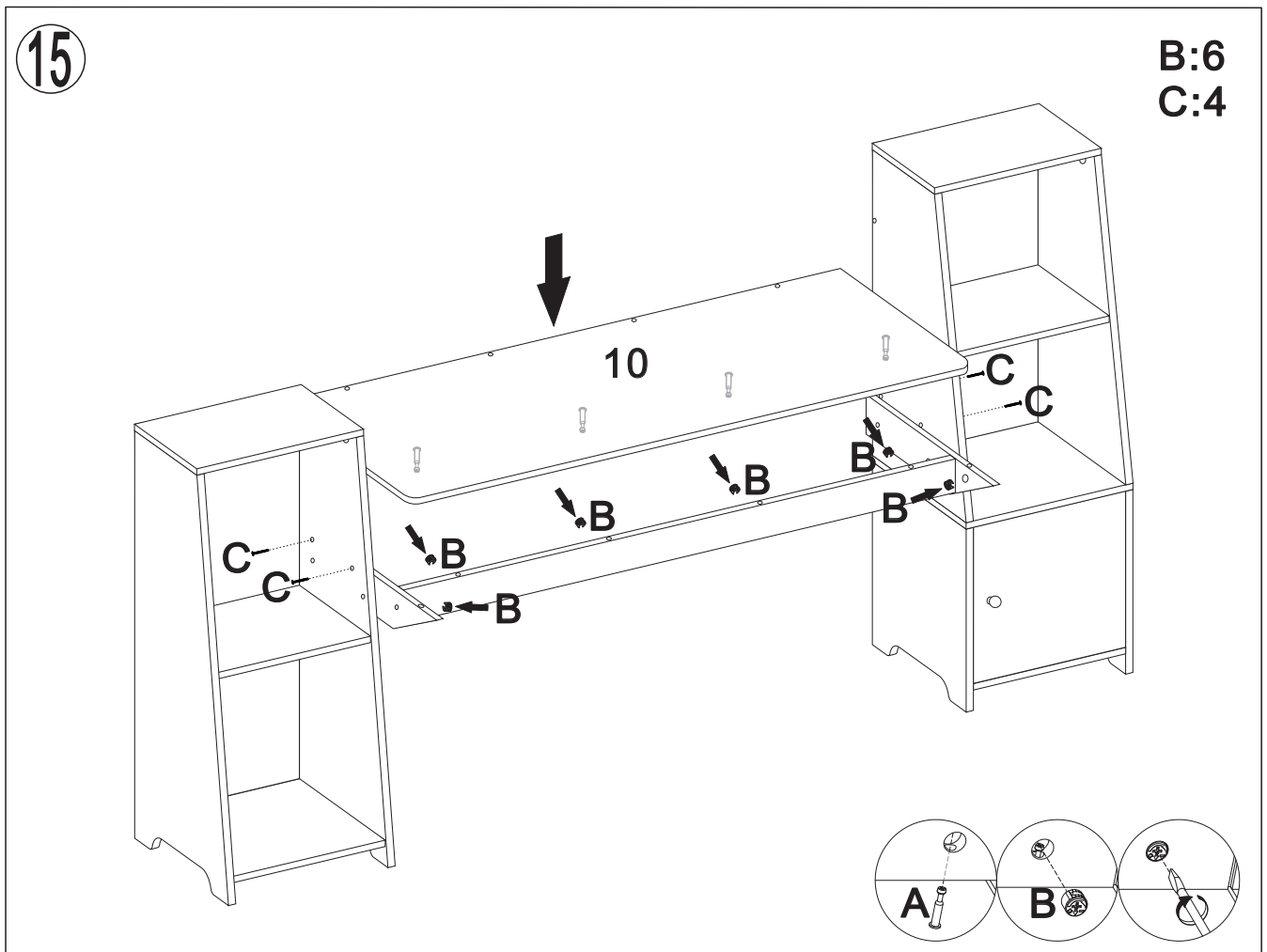
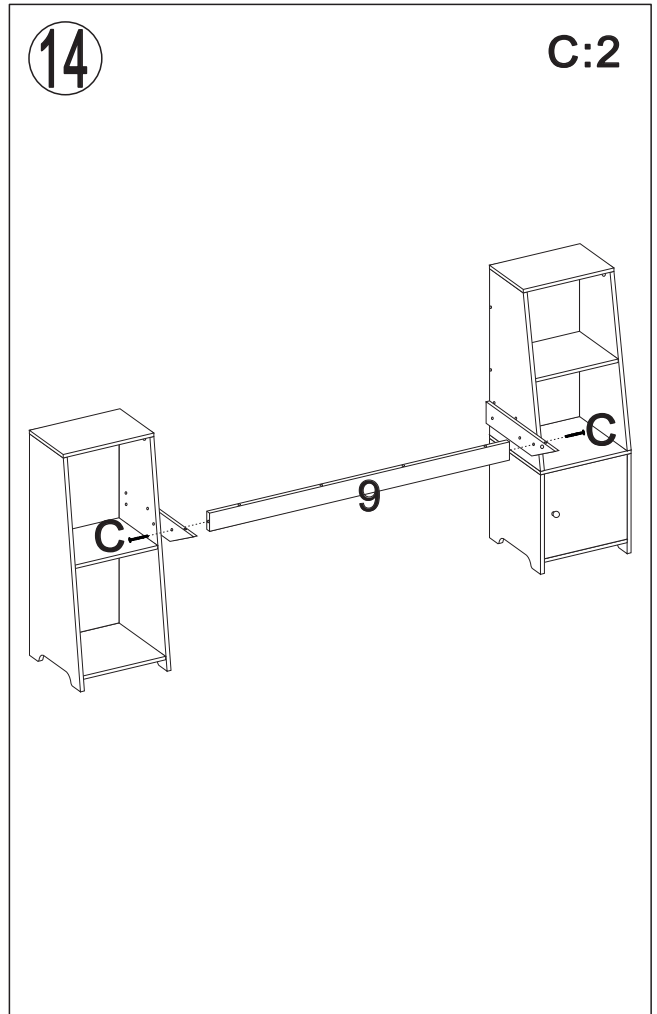
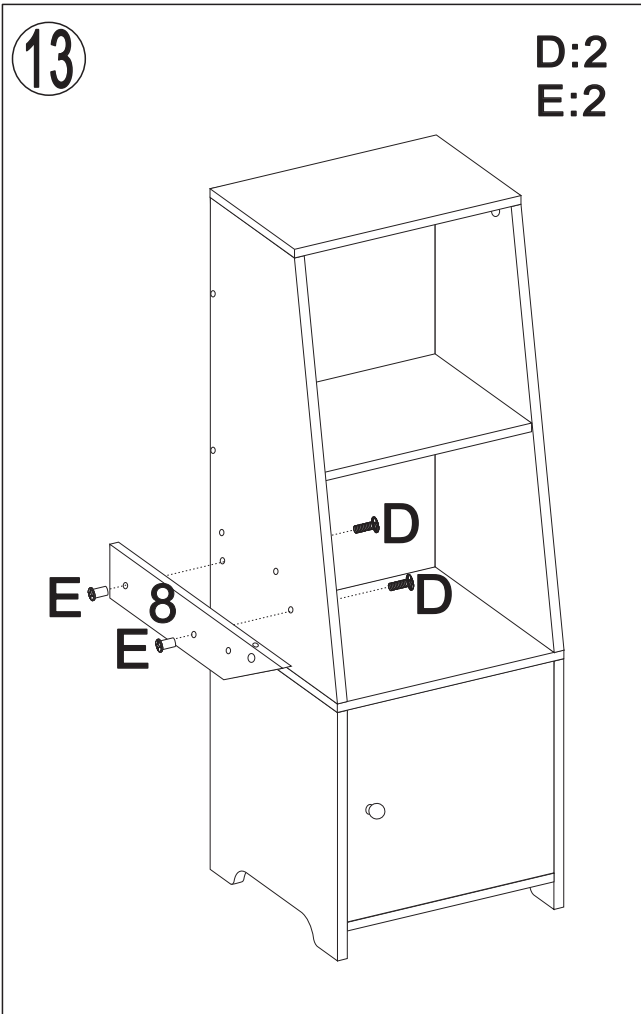
Part List

| | | | | | |
|---|---|---|---|---|---|
|  |  |  |  |  | |
| 1: 1pc | 2: 1pc | 3: 1pc | 4: 2pcs | 5: 2pcs | |
|  |  |  |  |  | |
| 6: 1pc | 7: 1pc | 8: 1pc | 9: 1pc | 10: 1pc | |
|  |  |  |  |  | |
| 11: 1pc | 12: 1pc | 13: 1pc | 14: 1pc | 15: 1pc | |
|  |  |  |  |  | |
| 16: 1pc | 17: 1pc | 18: 1pc | 19: 1pc | 20: 1pc | |
|  |  |  |  |  | |
| 21: 1pc | 22: 1pc | 23: 1pc | 24: 2pcs | 25: 8pcs | |
|  |  |  |  |  | |
| A: 38pcs +4(spare) | B: 38pcs +4(spare) | C: 20pcs +2(spare) ∅5x40mm | D: 4pcs ∅6x18mm | E: 4pcs ∅6x10mm | |
|  |  |  |  |  |  |
| F: 8pcs ∅3x8mm | G: 2pcs | H: 1pc | I: 1pc | J: 1pc ∅4x20mm | K: 16pcs +1(spare) ∅6x30mm |

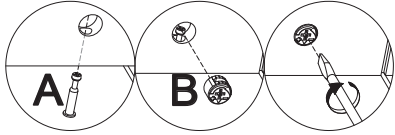




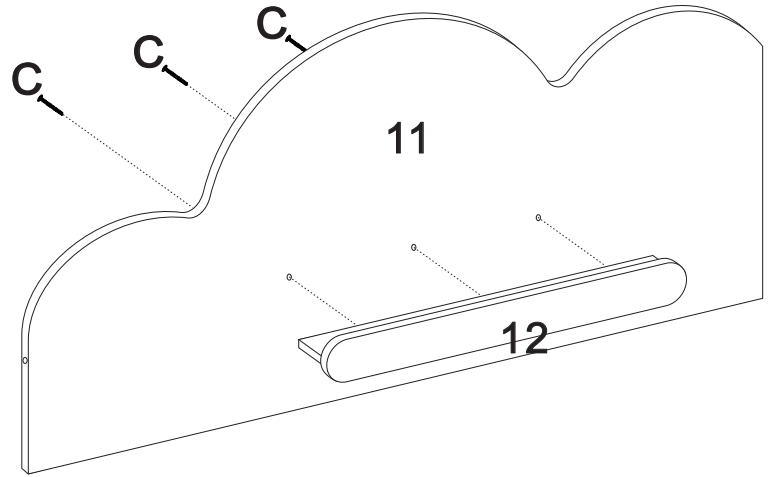
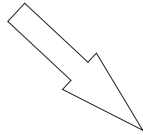
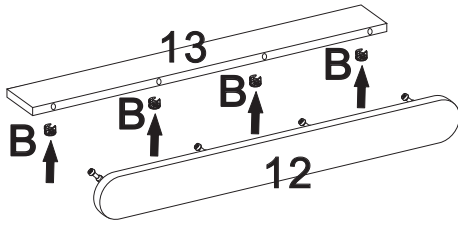




16

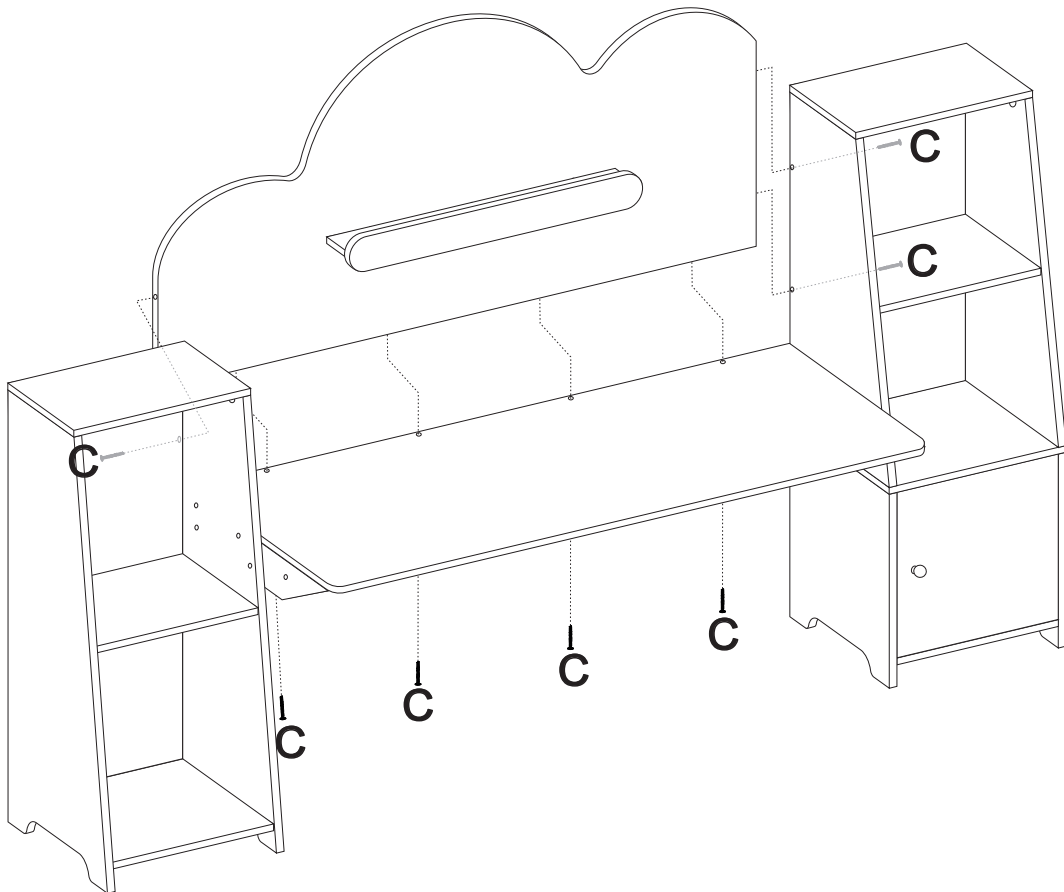


B:4
C:3

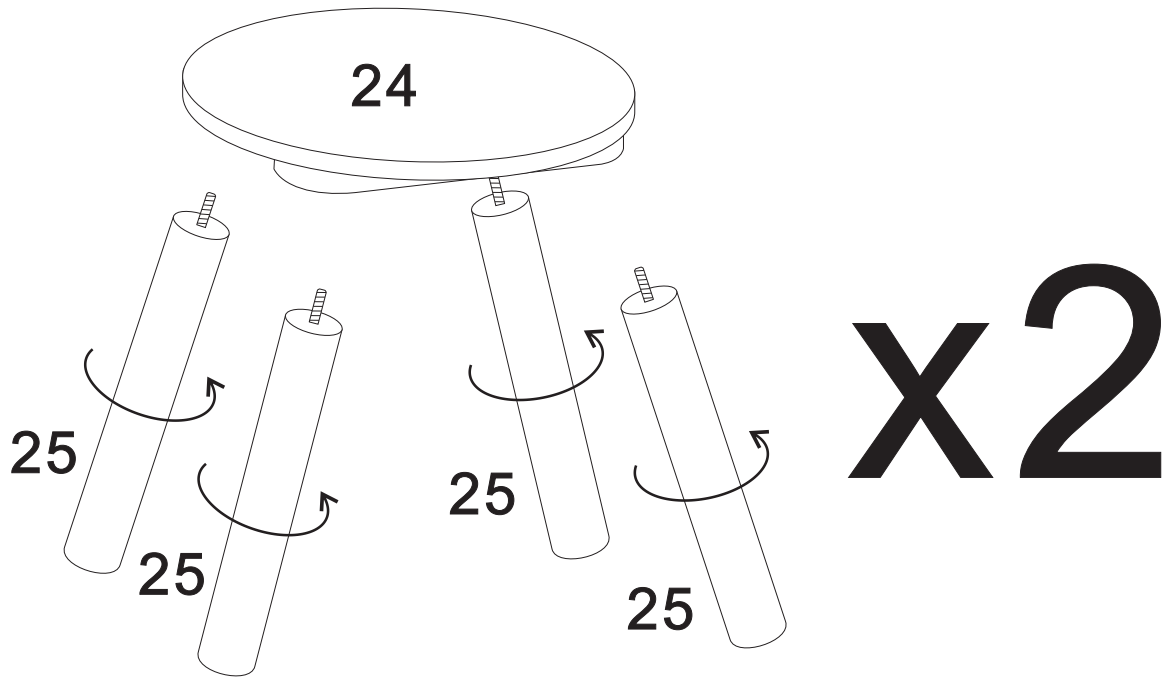


17

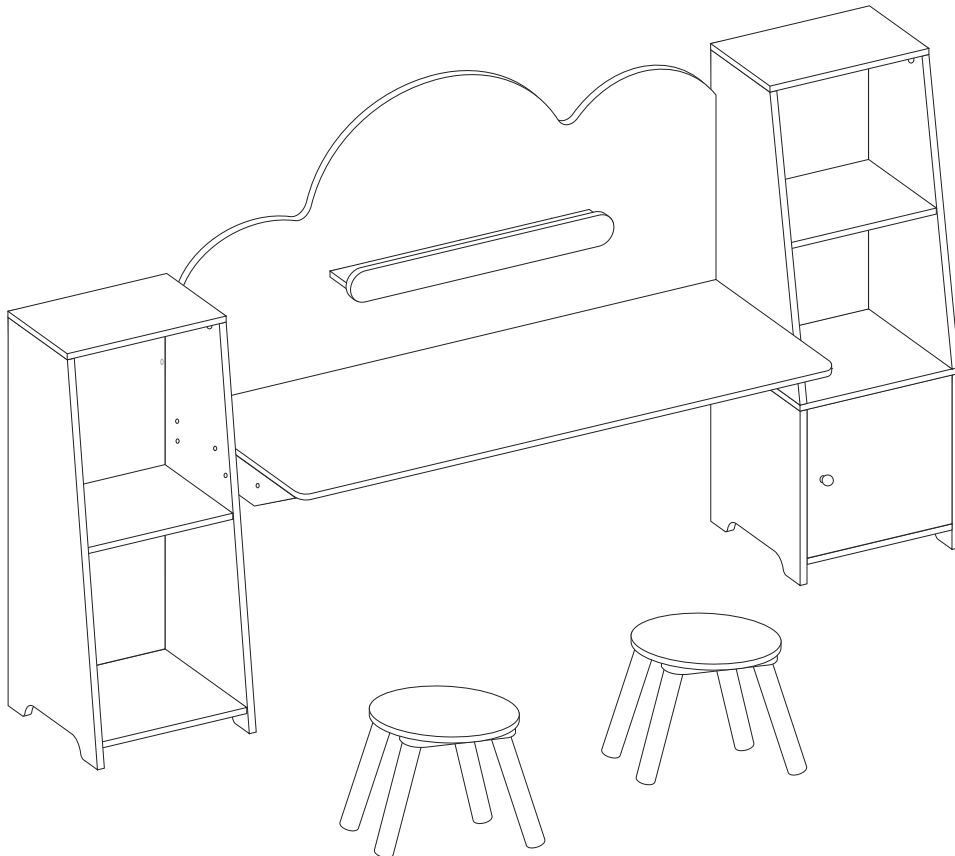
C:7



18



19



AFTER-SALE SERVICE

If you have any suggestions for our products or find that the products have quality problems, please contact us first, our after-sales team will reply you within 24 hours, and we will do our best to give you solutions until you are satisfied.

Guaranteed Customer Service

Your shopping experience is very important to us!
Feel unsatisfied? **Contact us!**
Have any questions? **Contact us!**

Wanna share your experience with our products?
Share your pictures with us.

Any suggestions? **Contact us!**
We gotcha back!