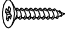






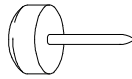
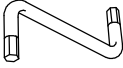


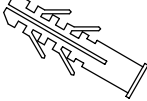
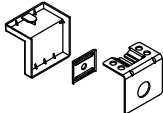

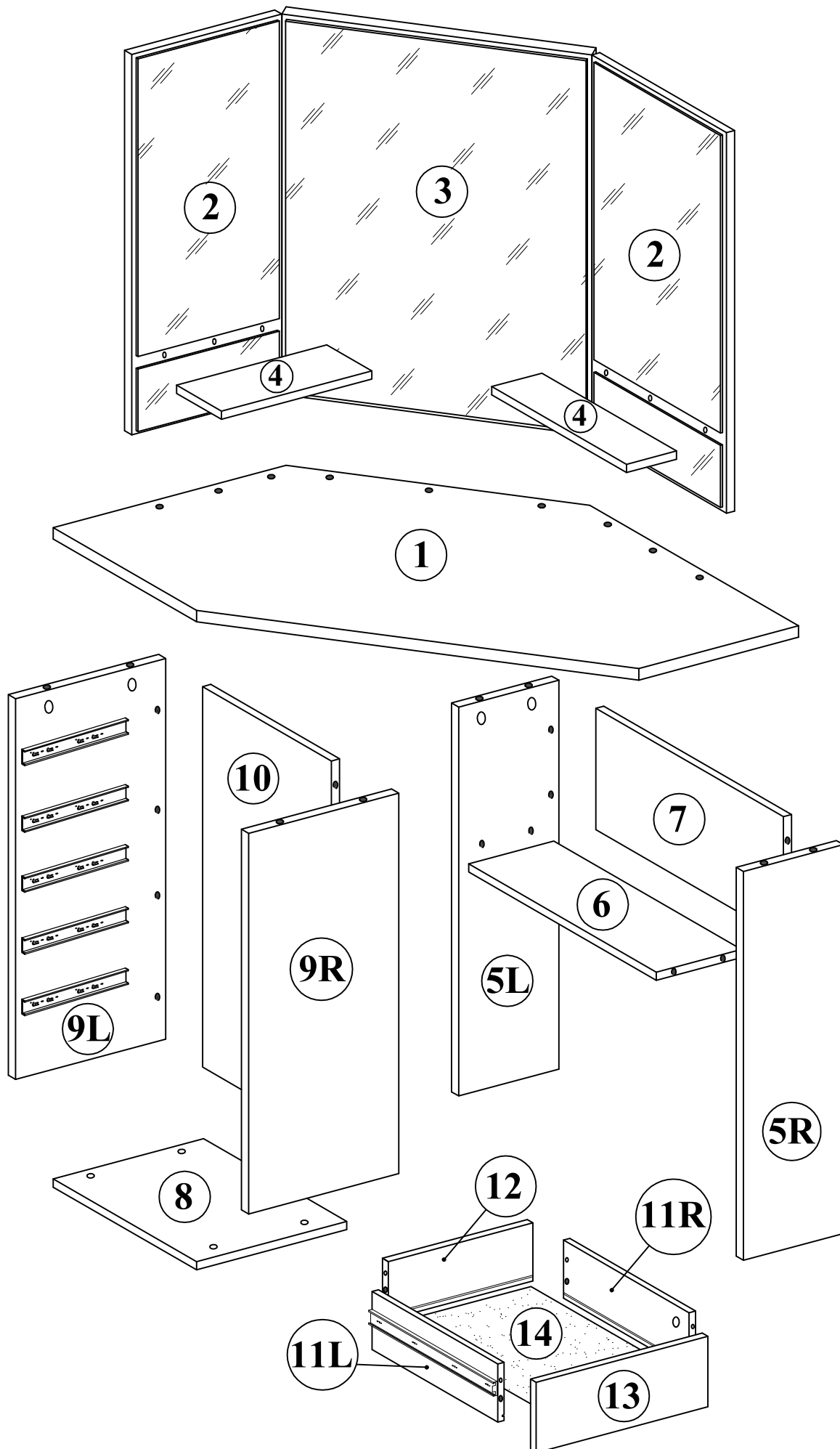
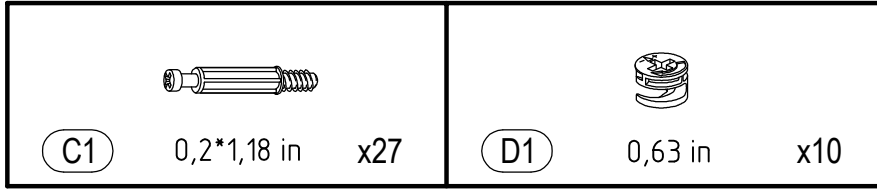
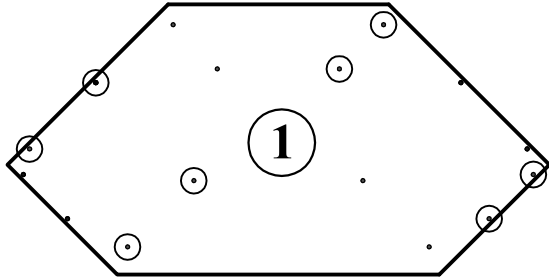
 <b>(M2)</b> 9,84 in x5	 <b>(E5)</b> 0,14*0,6 in x49	 <b>(B1)</b> 0,25*1,97 in x21
 <b>(B)</b> x21	 <b>(C1)</b> 0,2*1,18 in x43	 <b>(D1)</b> 0,63 in x43
 <b>(D)</b> x43	 <b>(S4)</b> 0,63x1,97 in x2	 <b>(K1)</b> x8
 <b>(P1)</b> x1	 <b>(A1)</b> 0,31*1,18 in x21	 <b>(Ea4)</b> 0,16*2,55 in x1
 <b>(H5)</b> 0,31*1,96 in x1	 <b>(S14)</b> 0,24*0,51 in x1	 <b>(R1)</b> x1

No	a*b	x	No	a*b	x
1	43.70x21.88 in	x1	9 L	28.89x11.81 in	x1
2	25.11x11.81 in	x2	9 R	28.89x11.81 in	x1
3	25.11x17.32 in	x1	10	28.89x10.55 in	x1
4	11.73x3.93 in	x2	11 L	9.84x3.14 in	x5
5 L	29.52x7.87 in	x1	11 R	9.84x3.14 in	x5
5 R	29.52x7.87 in	x1	12	8.26x3.14 in	x5
6	16.45x6.69 in	x1	13	10.31x4.56 in	x5
7	16.45x9.21 in	x1	14	9.56x8.62 in	x5
8	11.88x11.81 in	x1			

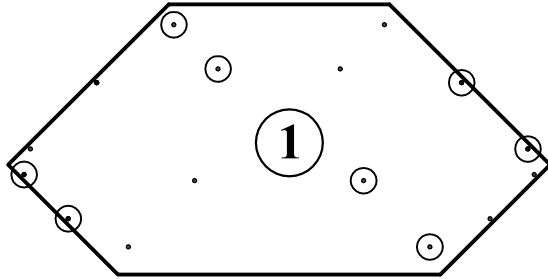




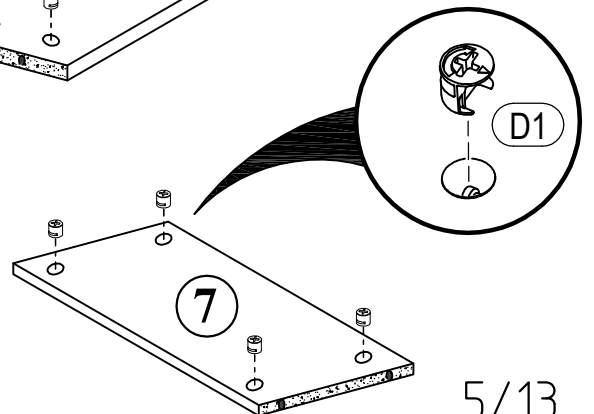
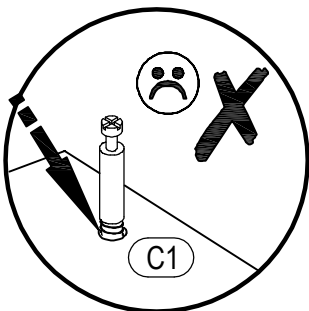
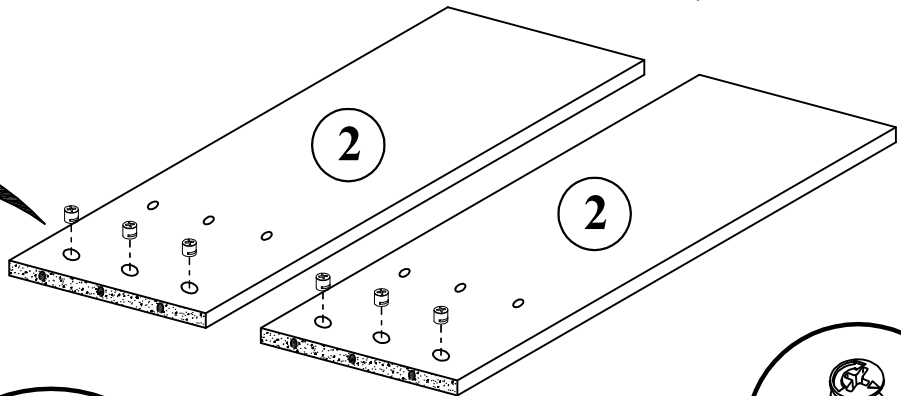
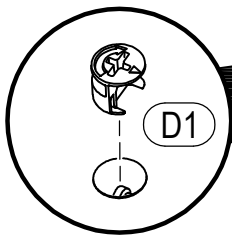
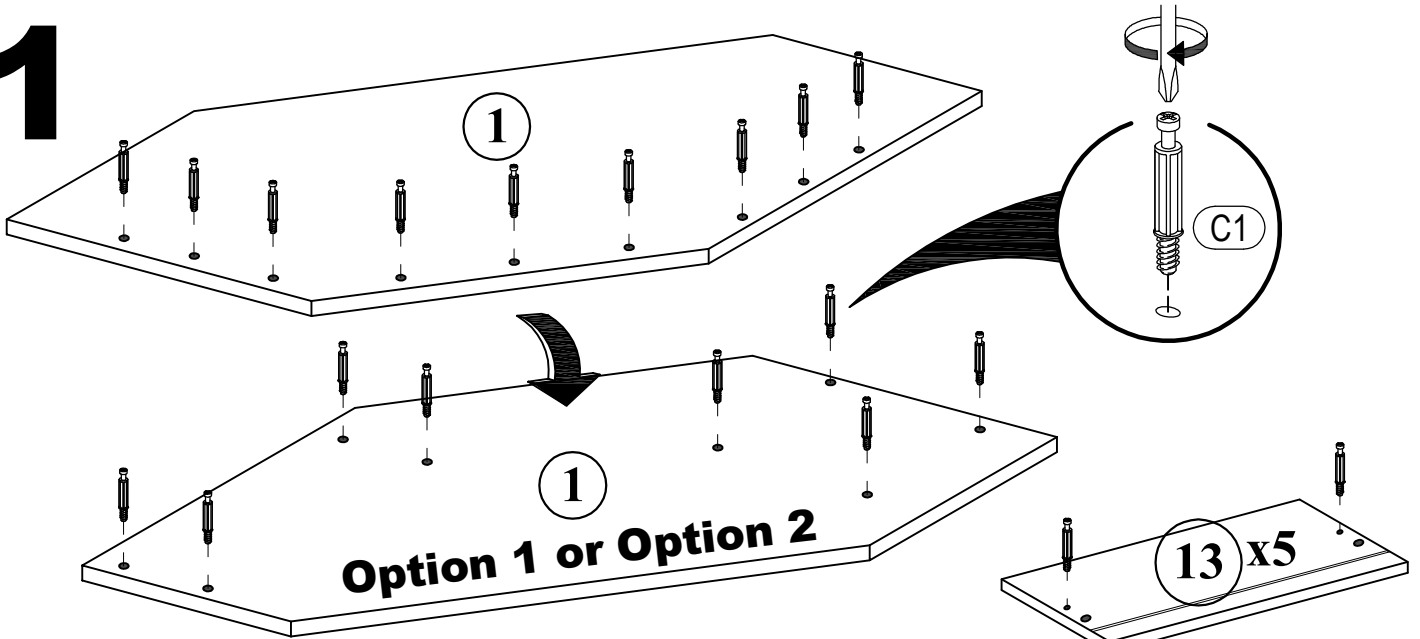
**Option 1**

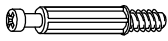
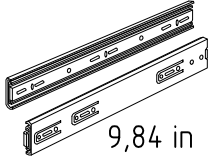

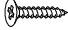


**Option 2**

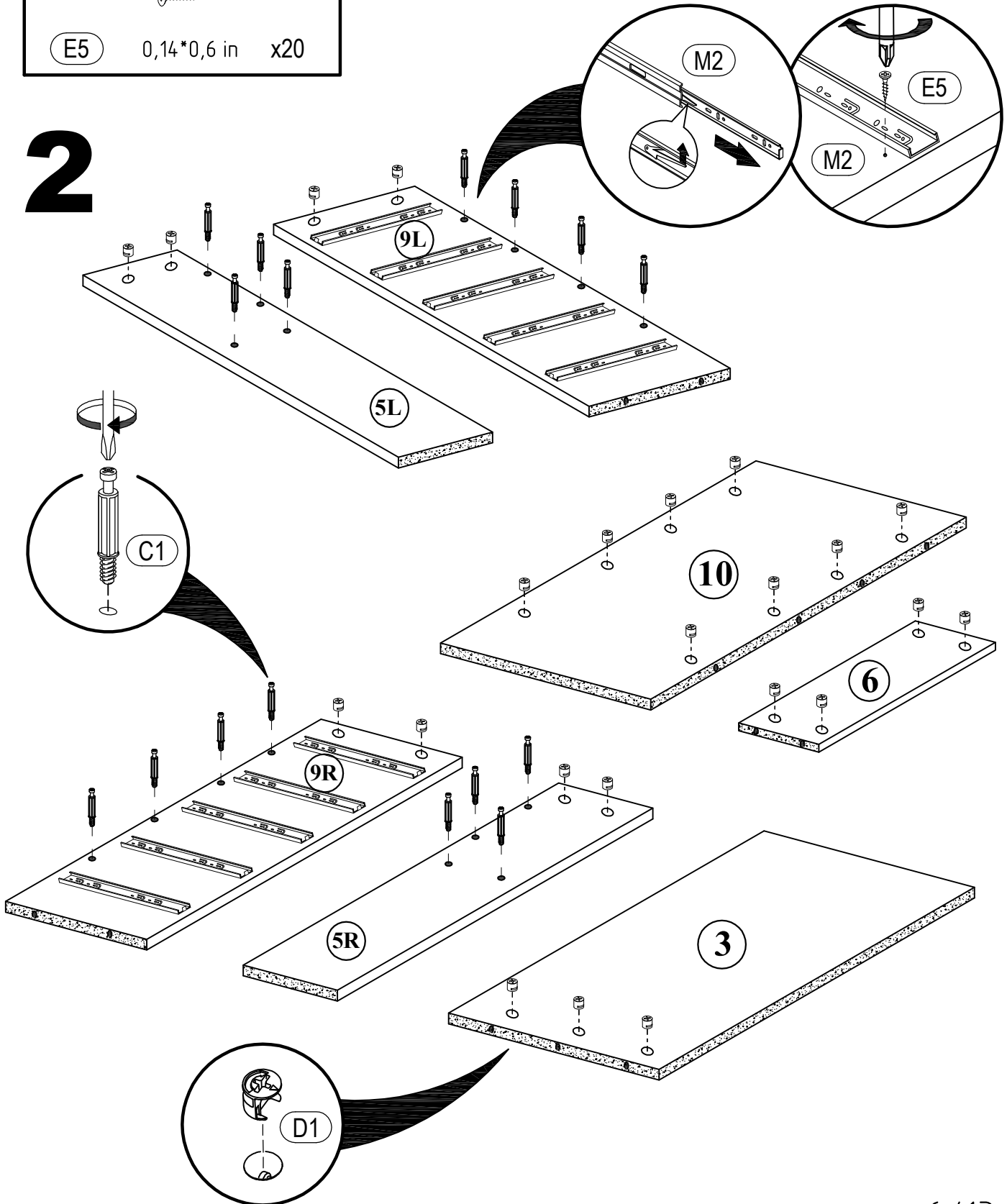


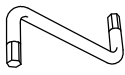

**1**



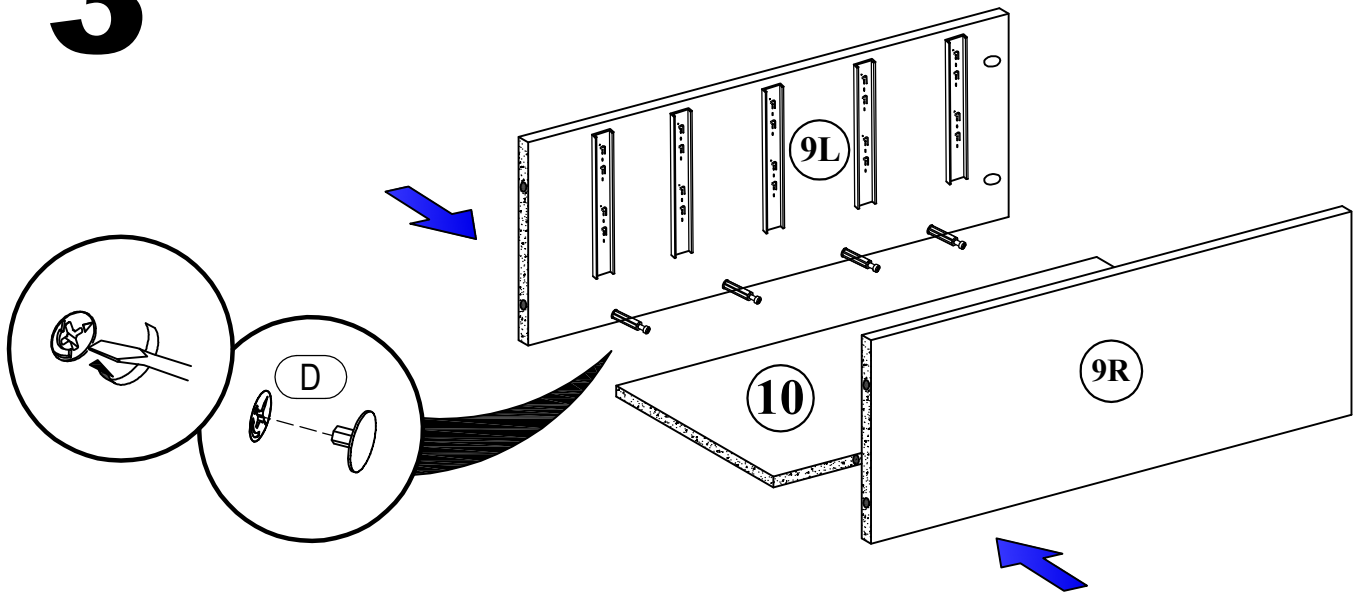
 <b>C1</b> 0,2*1,18 in x16	 <b>M2</b> 9,84 in x5	 <b>D1</b> 0,63 in x23
 <b>E5</b> 0,14*0,6 in x20		

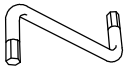


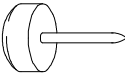
# 2



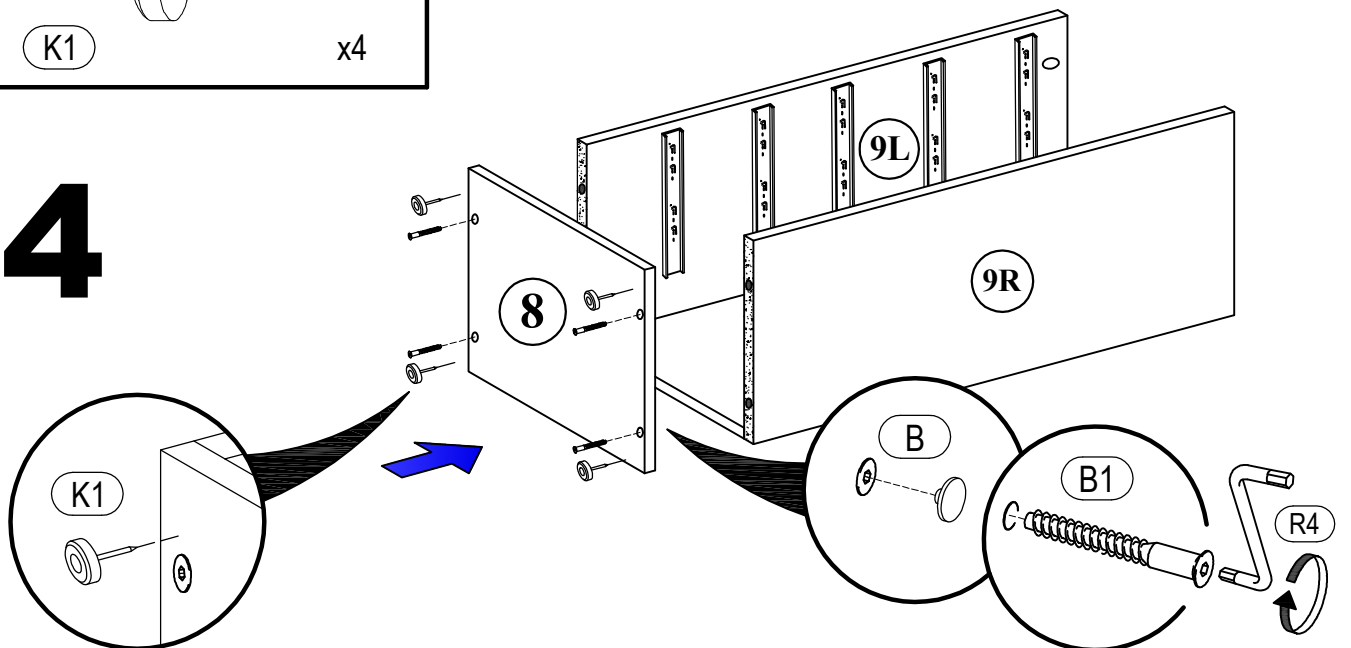
	P1	x1		D	x8
---	----	----	--	---	----

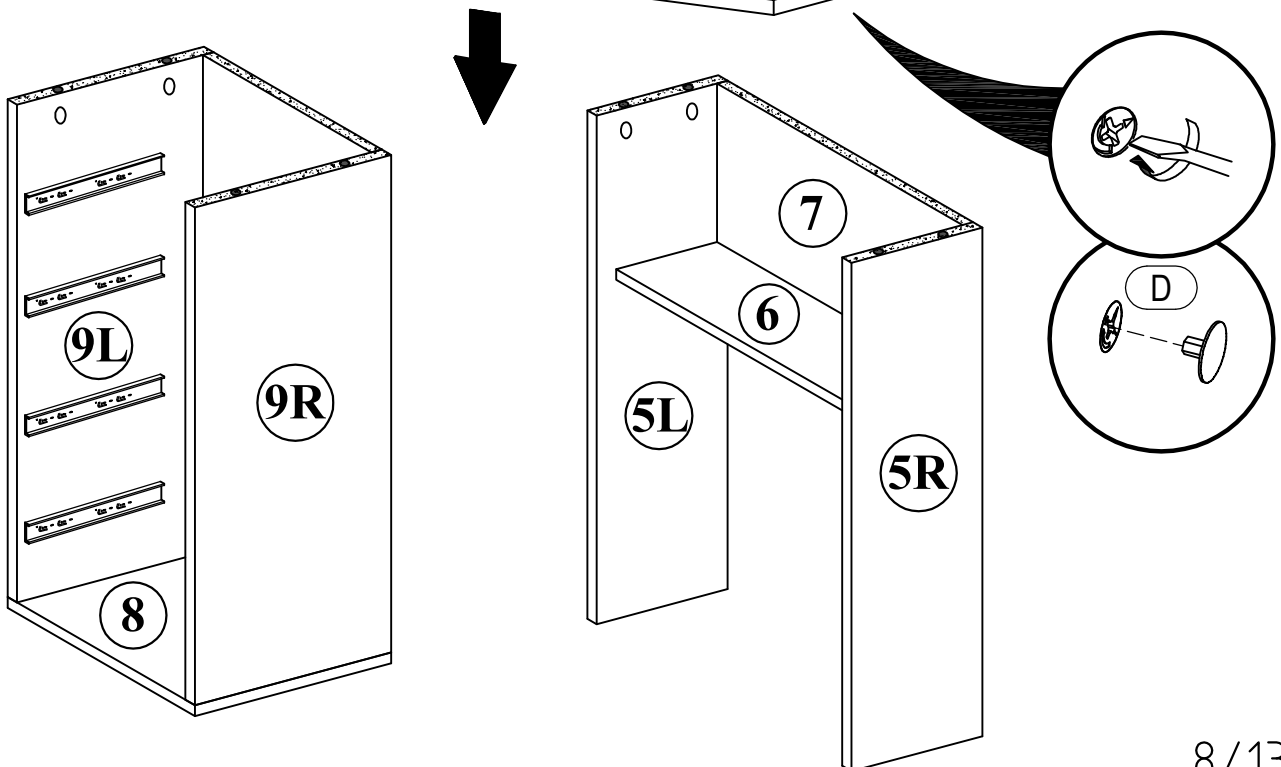
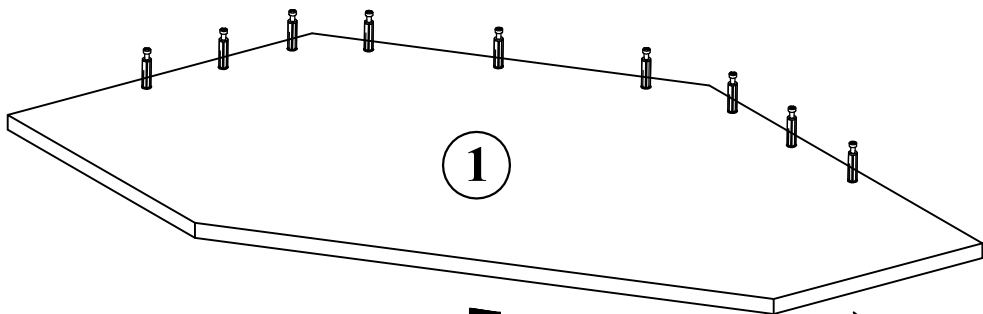
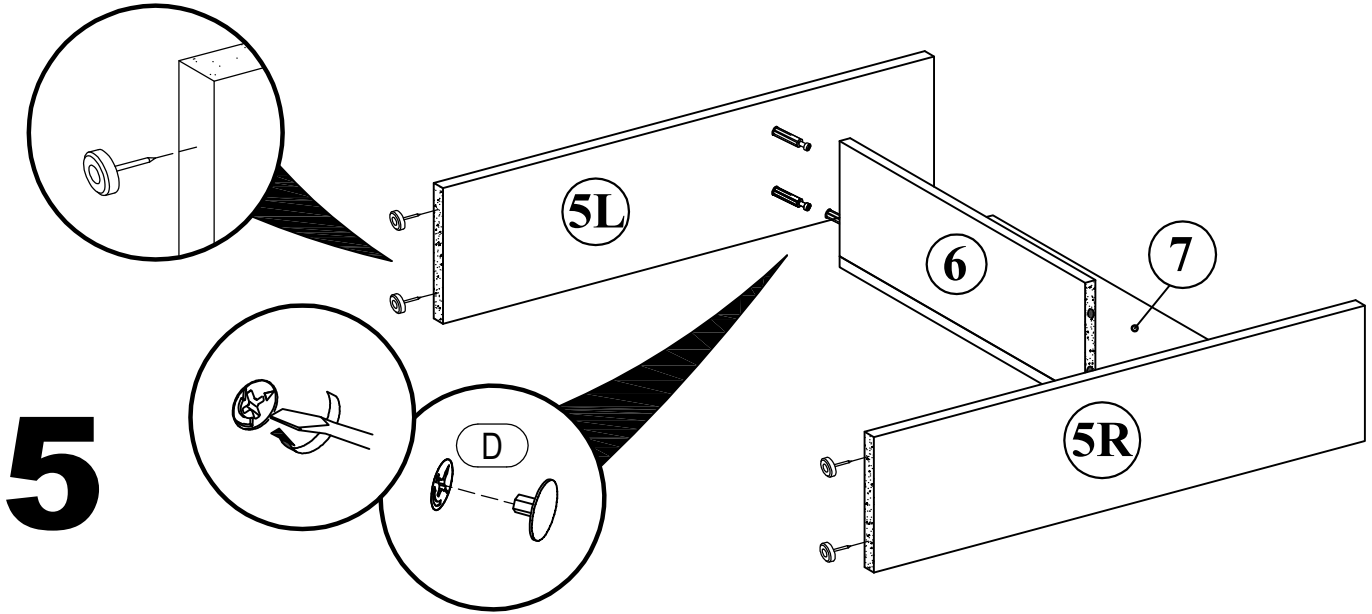
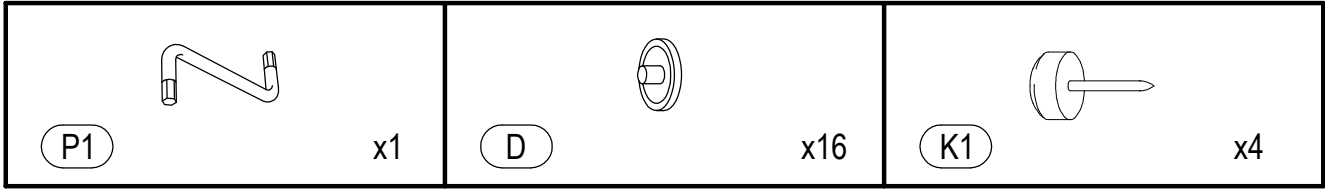
# 3

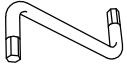



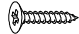



	P1	x1		B1	0,25*1,97 in	x4		B	x4
	K1	x4							

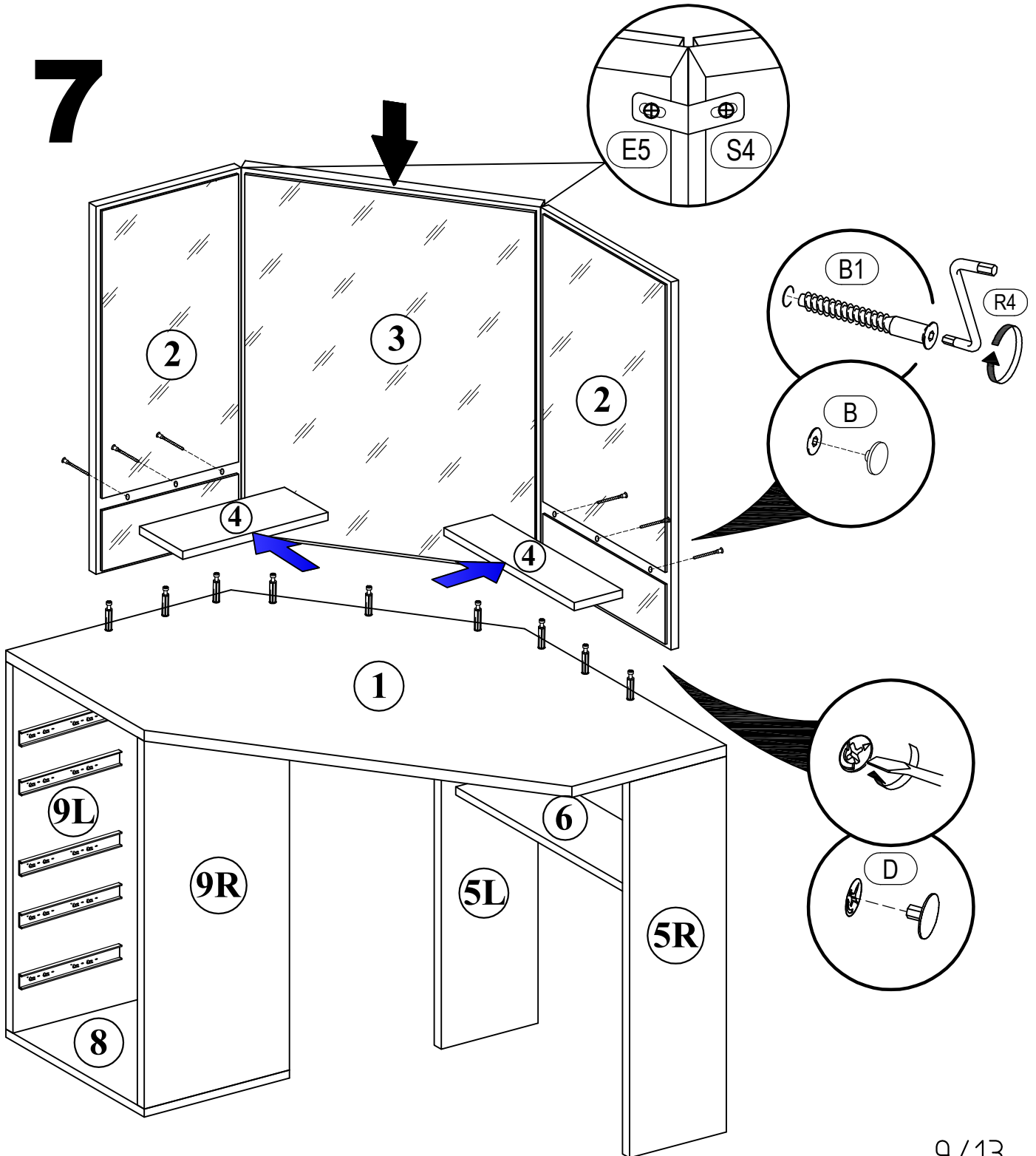
# 4


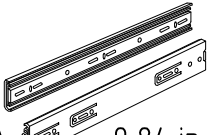



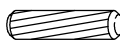





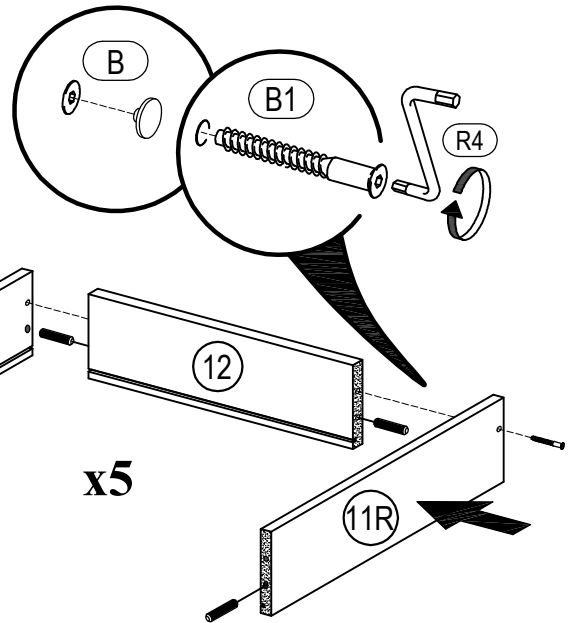
 <b>P1</b> x1	 <b>B1</b> 0,25*1,97 in x6	 <b>B</b> x6
 <b>S4</b> 0,63x1,97 in x2	 <b>E5</b> 0,14*0,6 in x4	 <b>D</b> x9

**7**



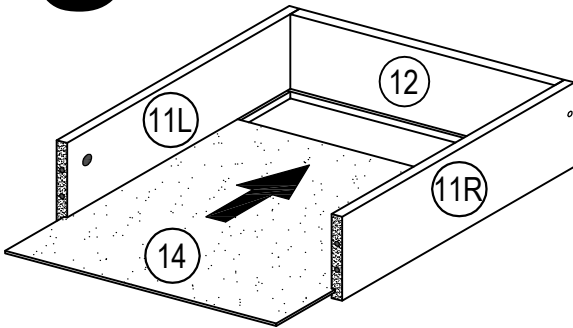
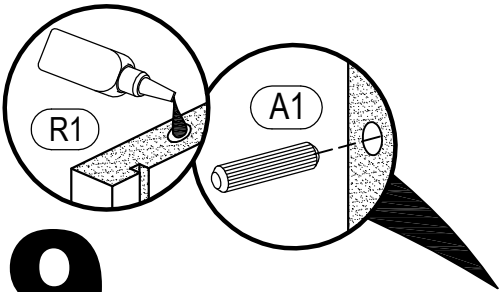
 <b>B1</b> 0,25*1,97 in x10	 <b>M2</b> 9,84 in x5	 <b>E5</b> 0,14*0,6 in x20
 <b>B</b> x10	 <b>D1</b> 0,63 in x10	 <b>A1</b> 0,31*1,18 in x20
 <b>D</b> x10		

**8**



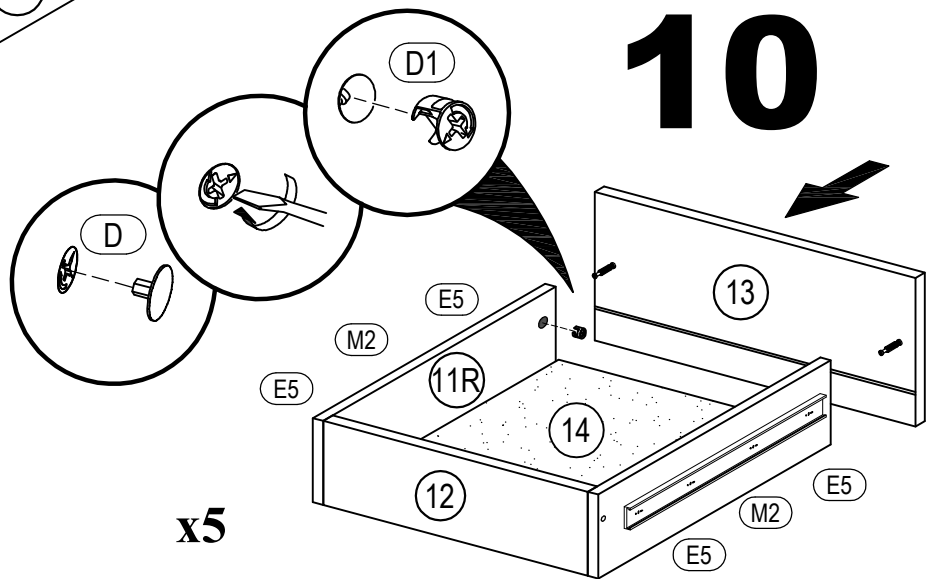
x5

**9**

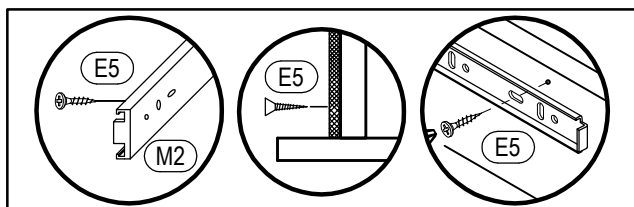
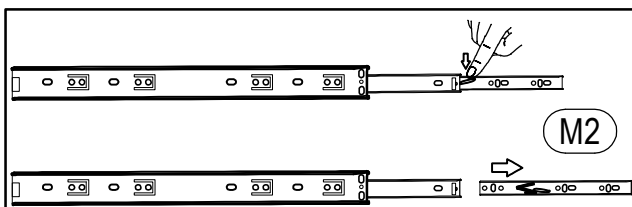




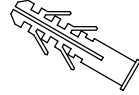
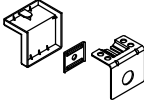
x5

**10**



x5



 <p><b>E5</b> 0,14*0,6 in x4</p>	 <p><b>Ea4</b> 0,16*2,55 in x1</p>	 <p><b>H5</b> 0,31*1,96 in x1</p>
 <p><b>S14</b> 0,24*0,51 in x1</p>		

# 11

