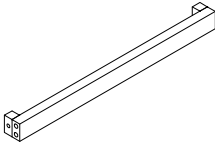
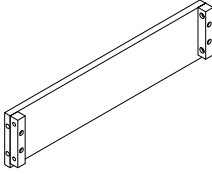
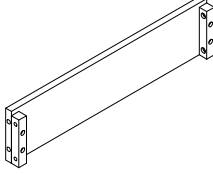
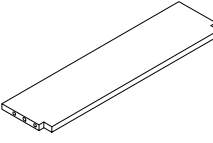
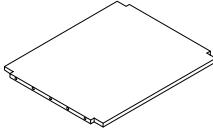
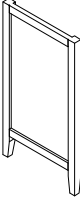
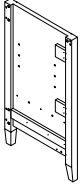
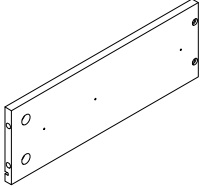
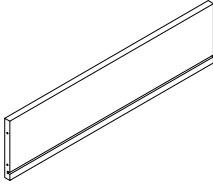
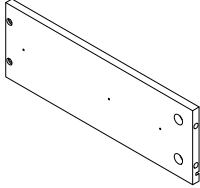
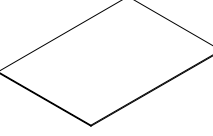
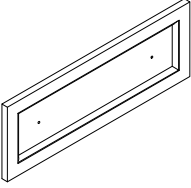
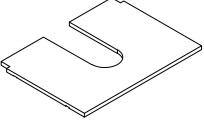
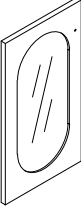
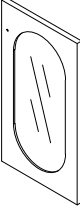
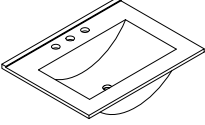
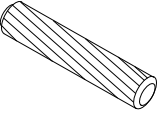
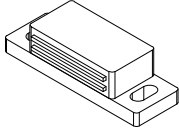
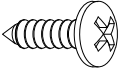
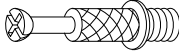
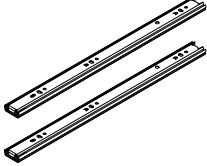

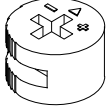
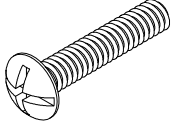
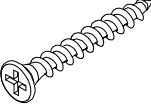
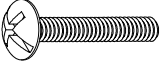
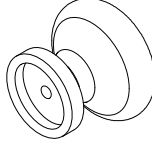
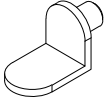

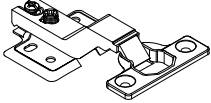




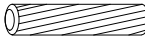
PRODUCT PARTS:

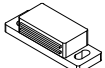
A	B	C	D	E	F
					
1PC	1PC	1PC	1PC	1PC	1PC
G	H	I	J	K	L
					
1PC	1PC	1PC	1PC	1PC	1PC
M	N	O	P		
					
1PC	1PC	1PC	1PC		

HARDWARE:

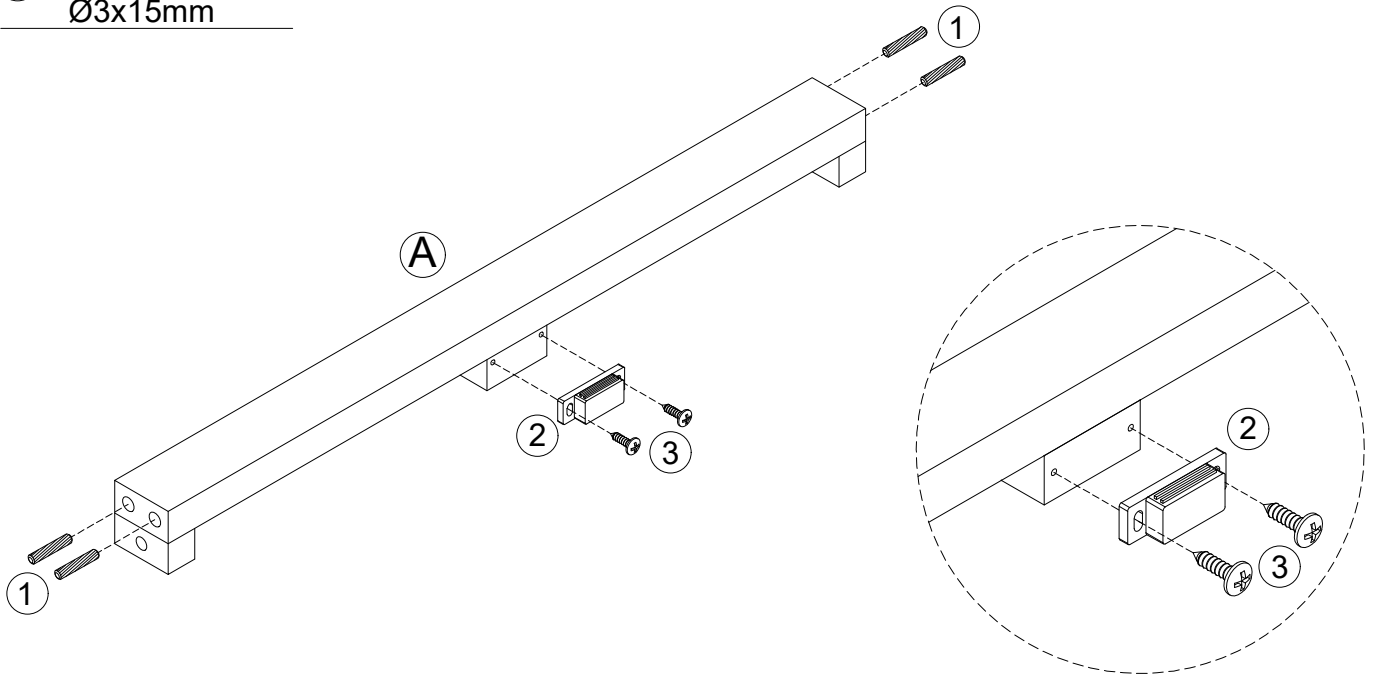
①	②	③	④	⑤	⑥
					
Ø8x30mm		Ø3x15mm	Ø6x33mm	300x45mm	Ø3x10mm
18+1 PCS	1 PC	2PCS	14+1 PCS	1 SET	12+1 PCS
⑦	⑧	⑨	⑩	⑪	⑫
					
Ø15x9mm	1/4"x25mm	Ø4x25mm	5/32"x12mm		
14+1 PCS	10+1 PCS	4 PCS	4 PCS	4 PCS	4 PCS
⑬	⑭	⑮	⑯		
					
Ø4x12mm	Ø35mm	Ø3x12mm	35x12mm		
24+2 PCS	4 PCS	2 PCS	2 PCS		

STEP 1

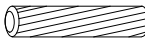
①  4pcs
Ø8x30mm

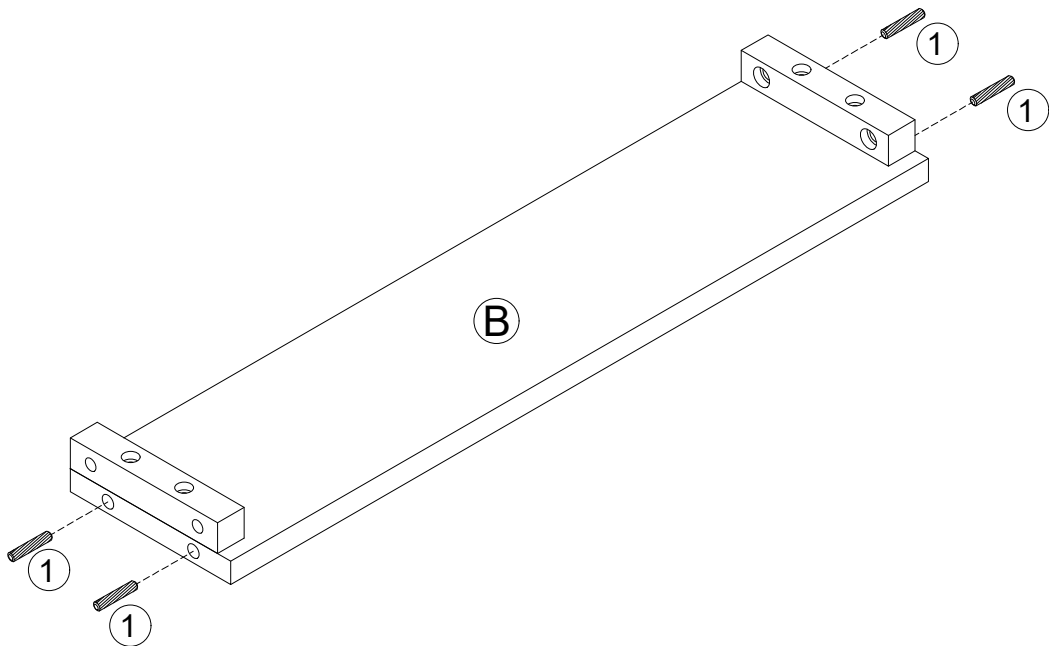
②  1pc

③  2pcs
Ø3x15mm

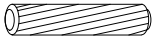


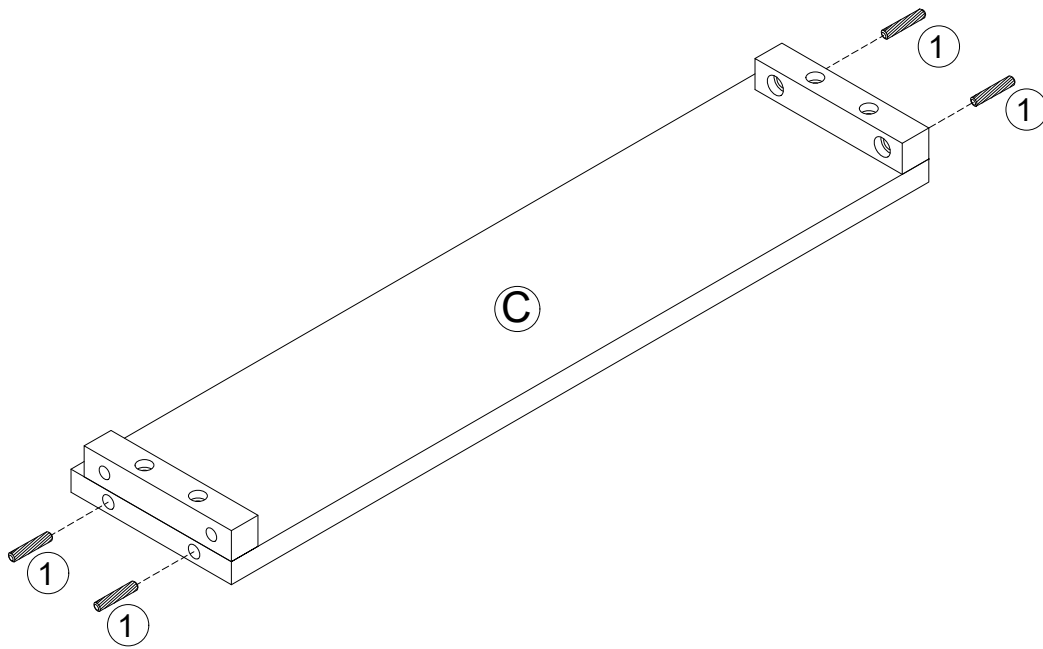
STEP 2

①  4pcs
Ø8x30mm




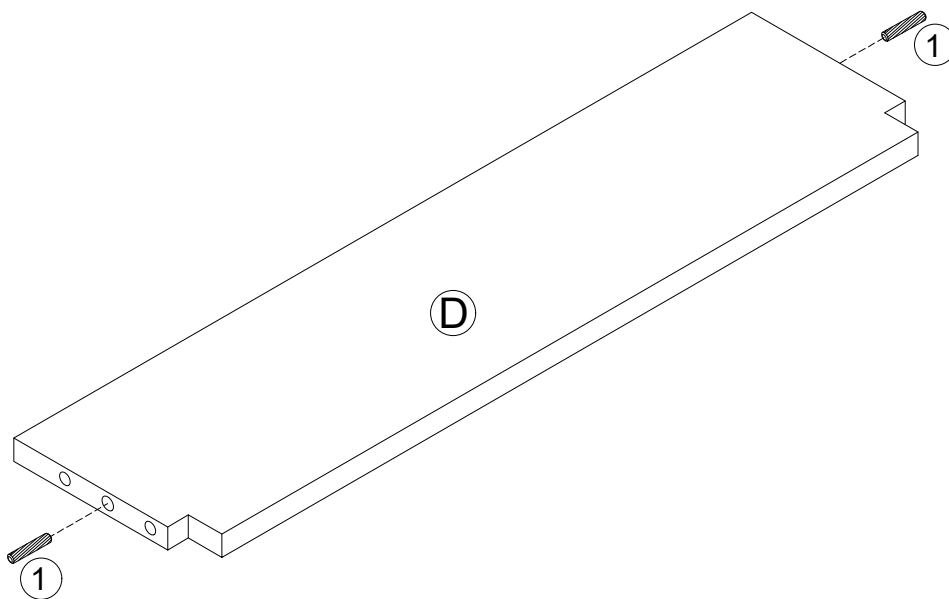
STEP 3

①  4pcs
Ø8x30mm

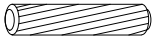


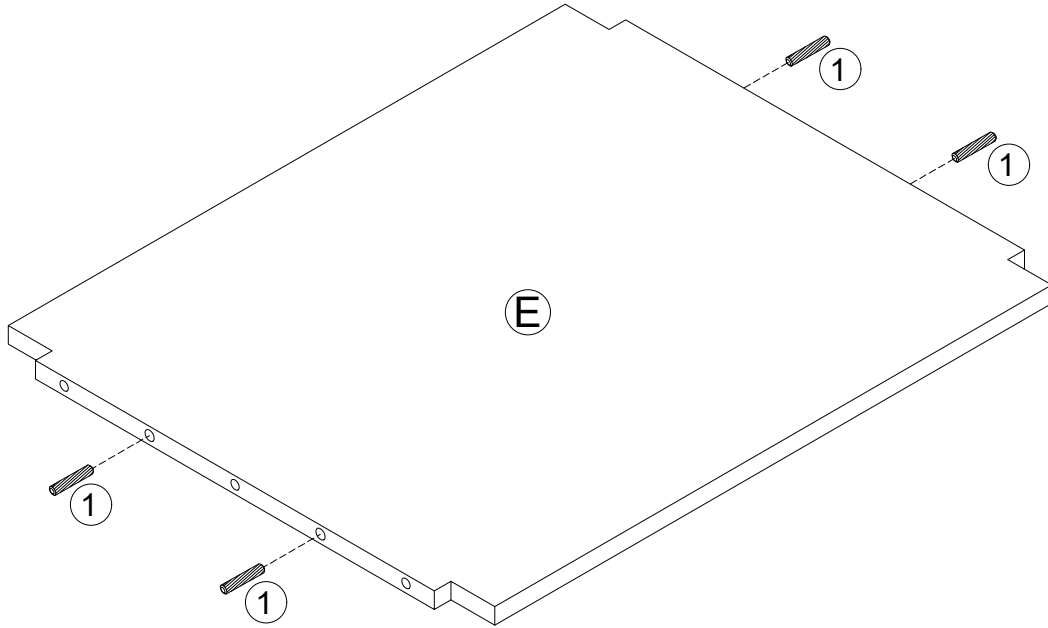
STEP 4

①  2pcs
Ø8x30mm




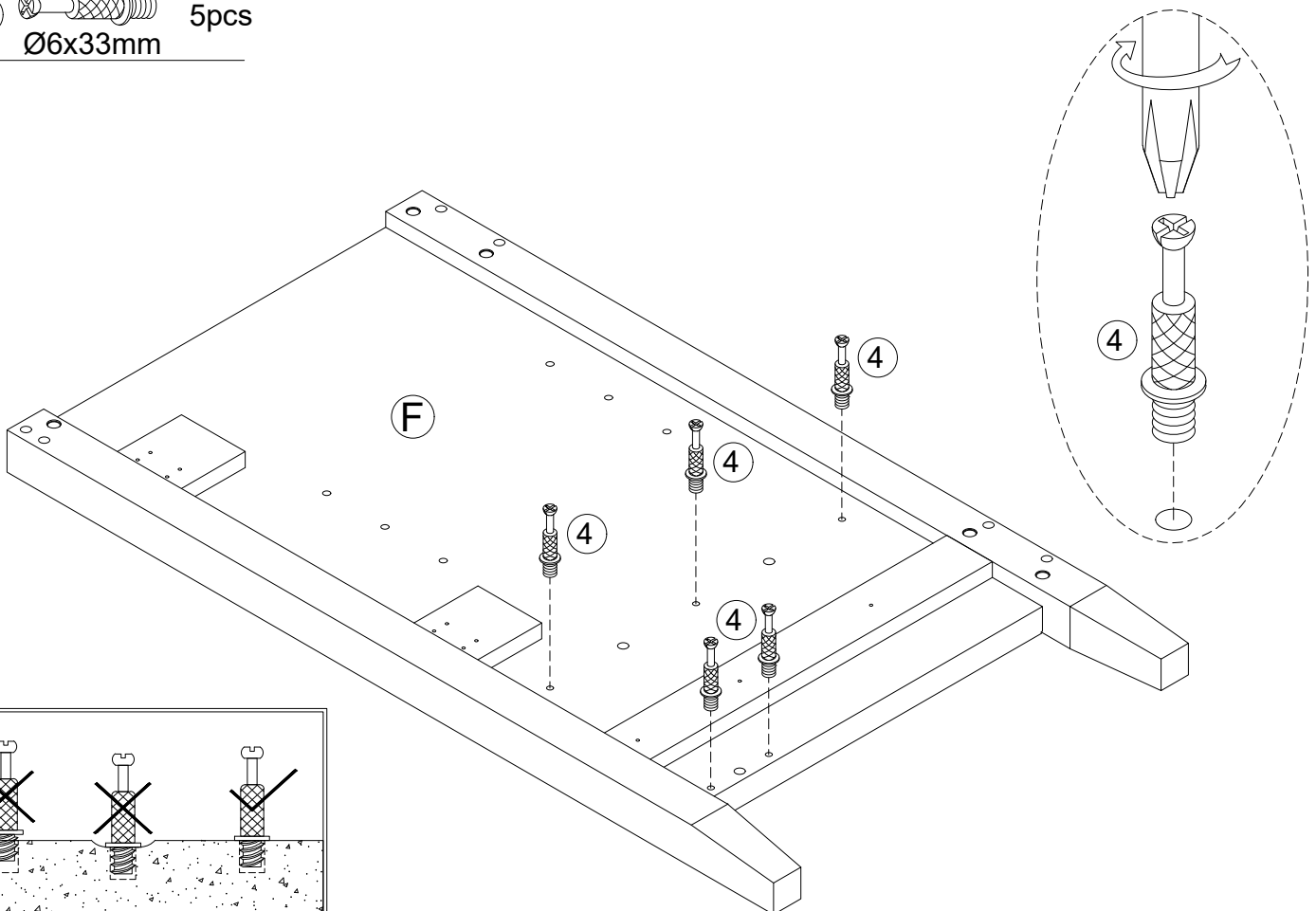
STEP 5

- ①  4pcs
Ø8x30mm

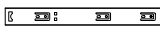


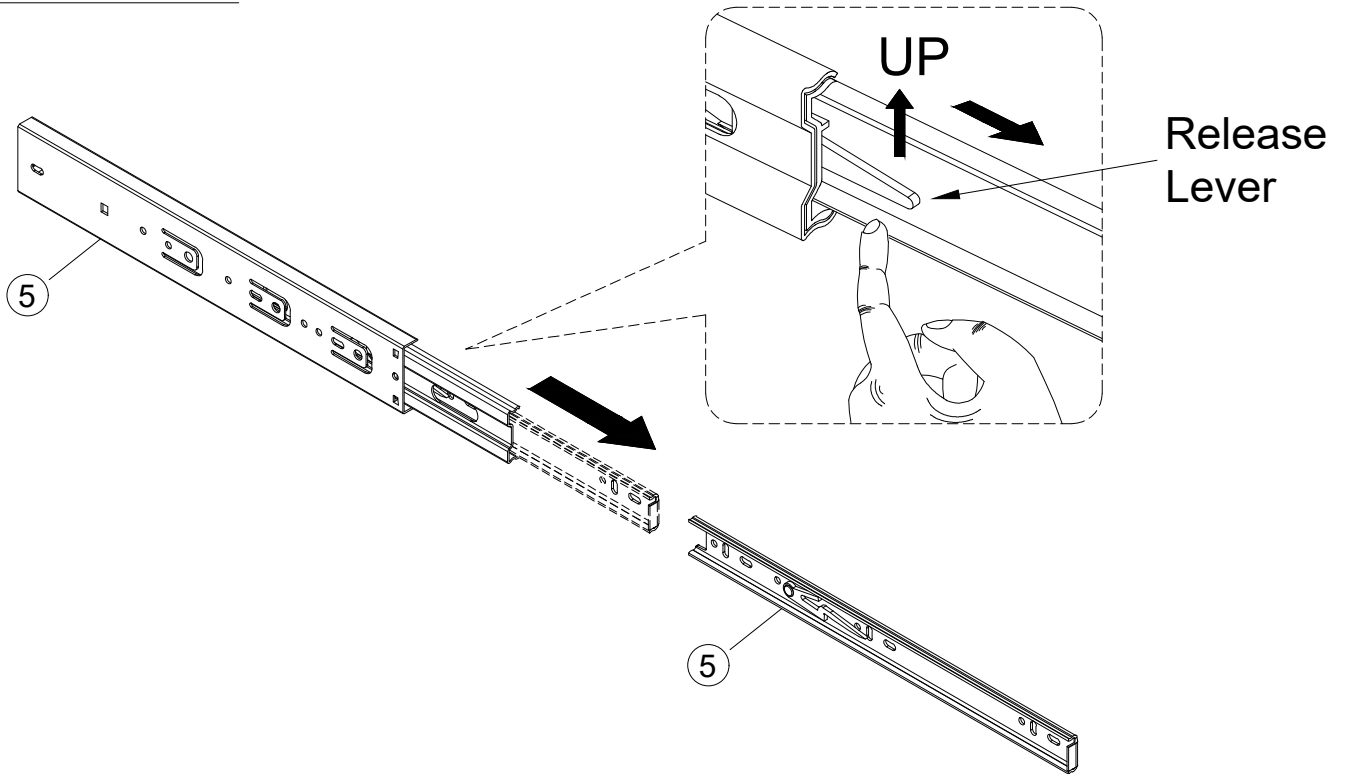
STEP 6

- ④  5pcs
Ø6x33mm

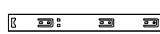


STEP 7

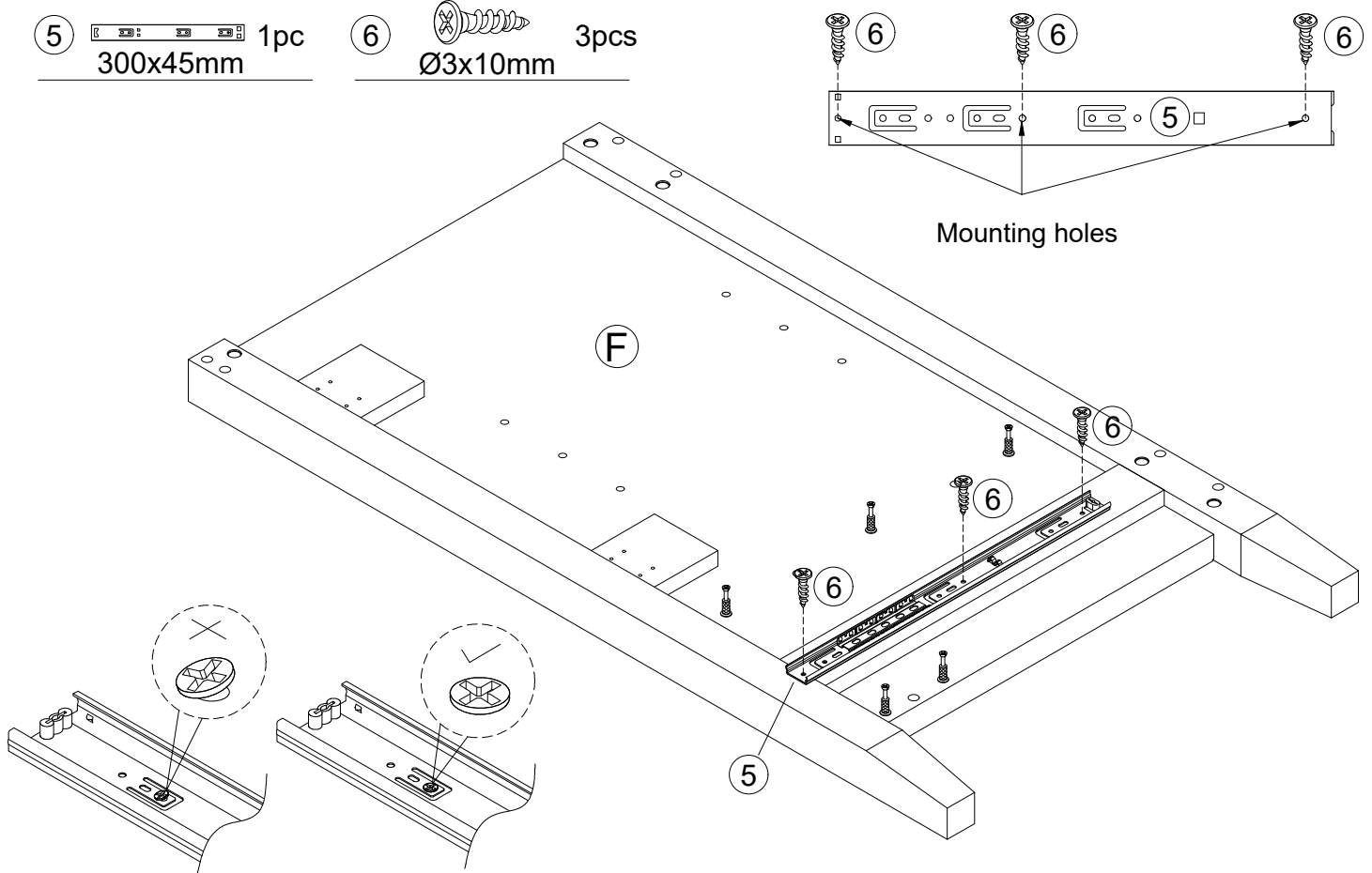
⑤  1SET
300x45mm



STEP 8

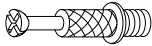
⑤  1pc
300x45mm

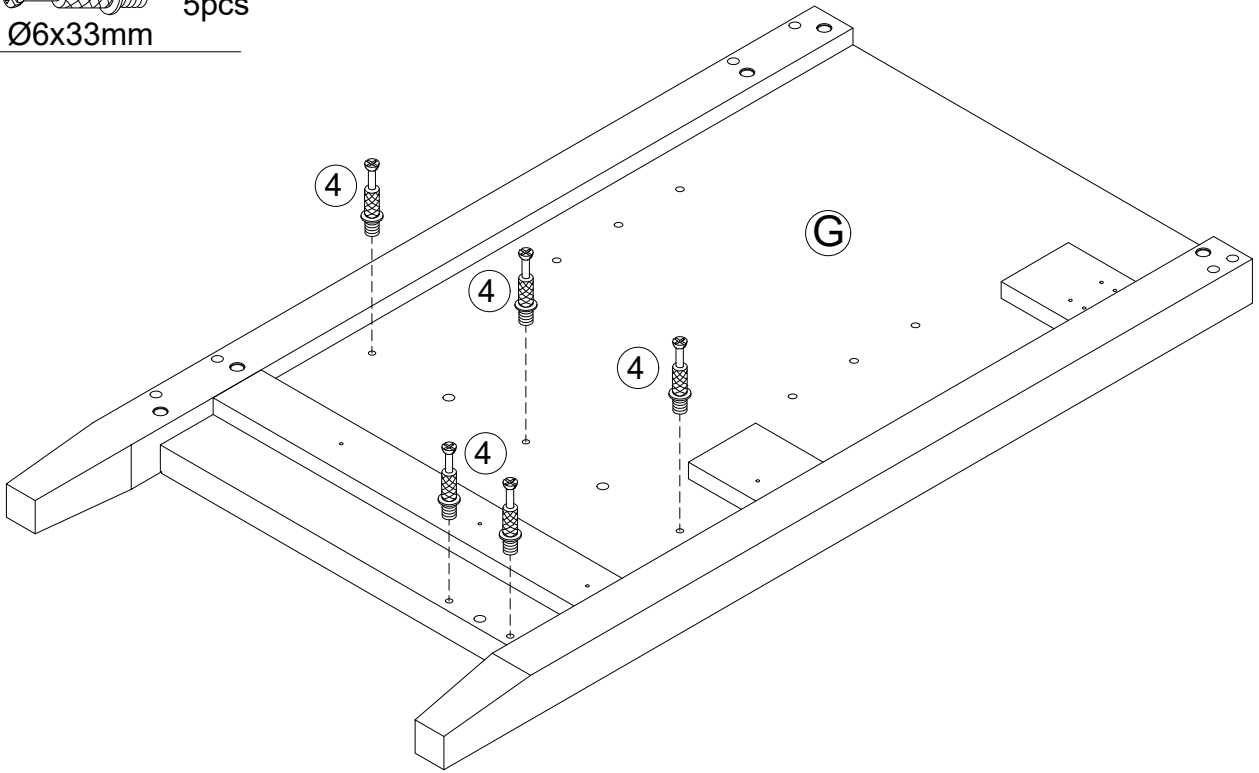
⑥  3pcs
Ø3x10mm



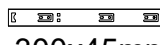
Please make sure that the screw is VERTICAL
so as not to affect the sliding of the drawer.

STEP 9

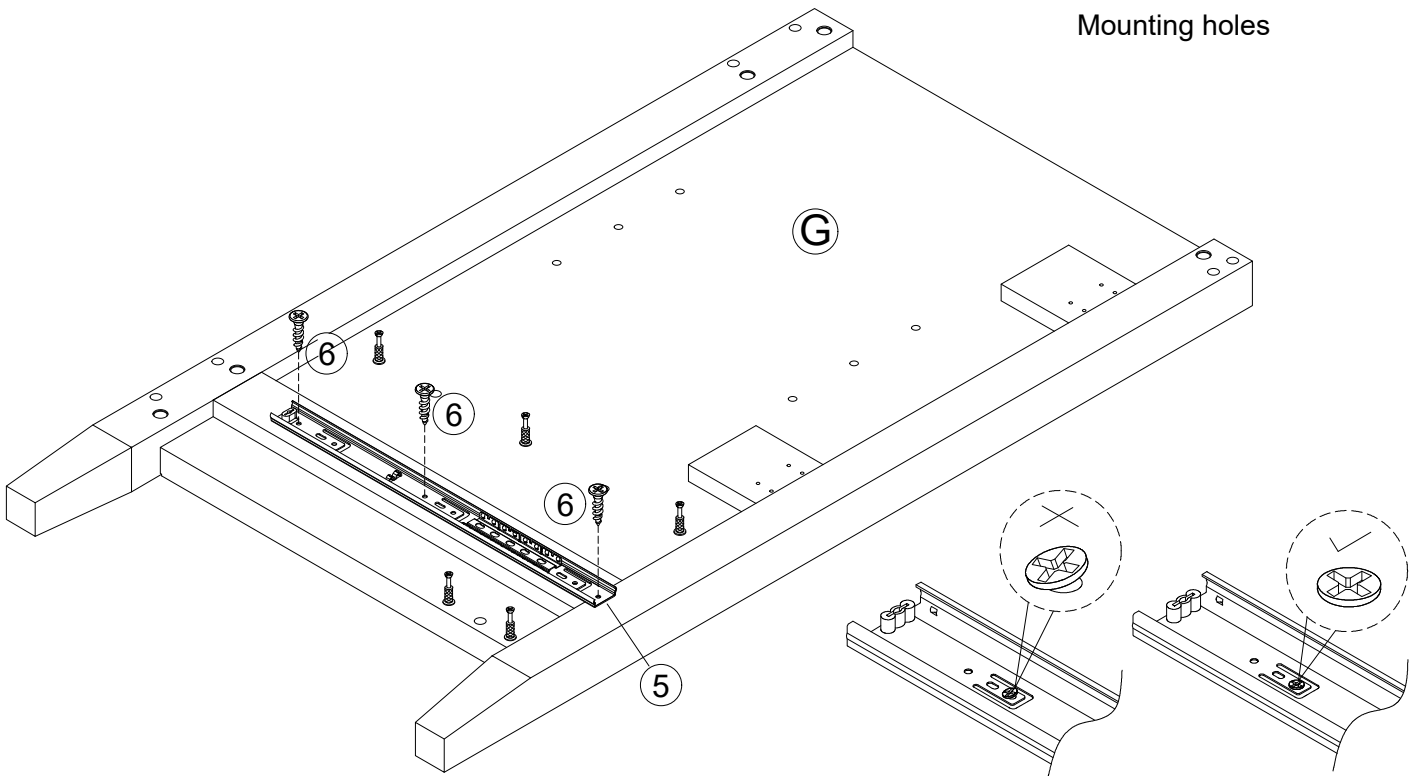
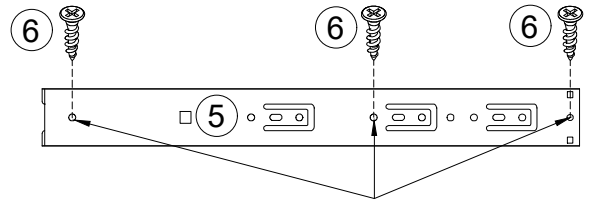
- ④  5pcs
Ø6x33mm



STEP 10



- ⑤  1pc
300x45mm

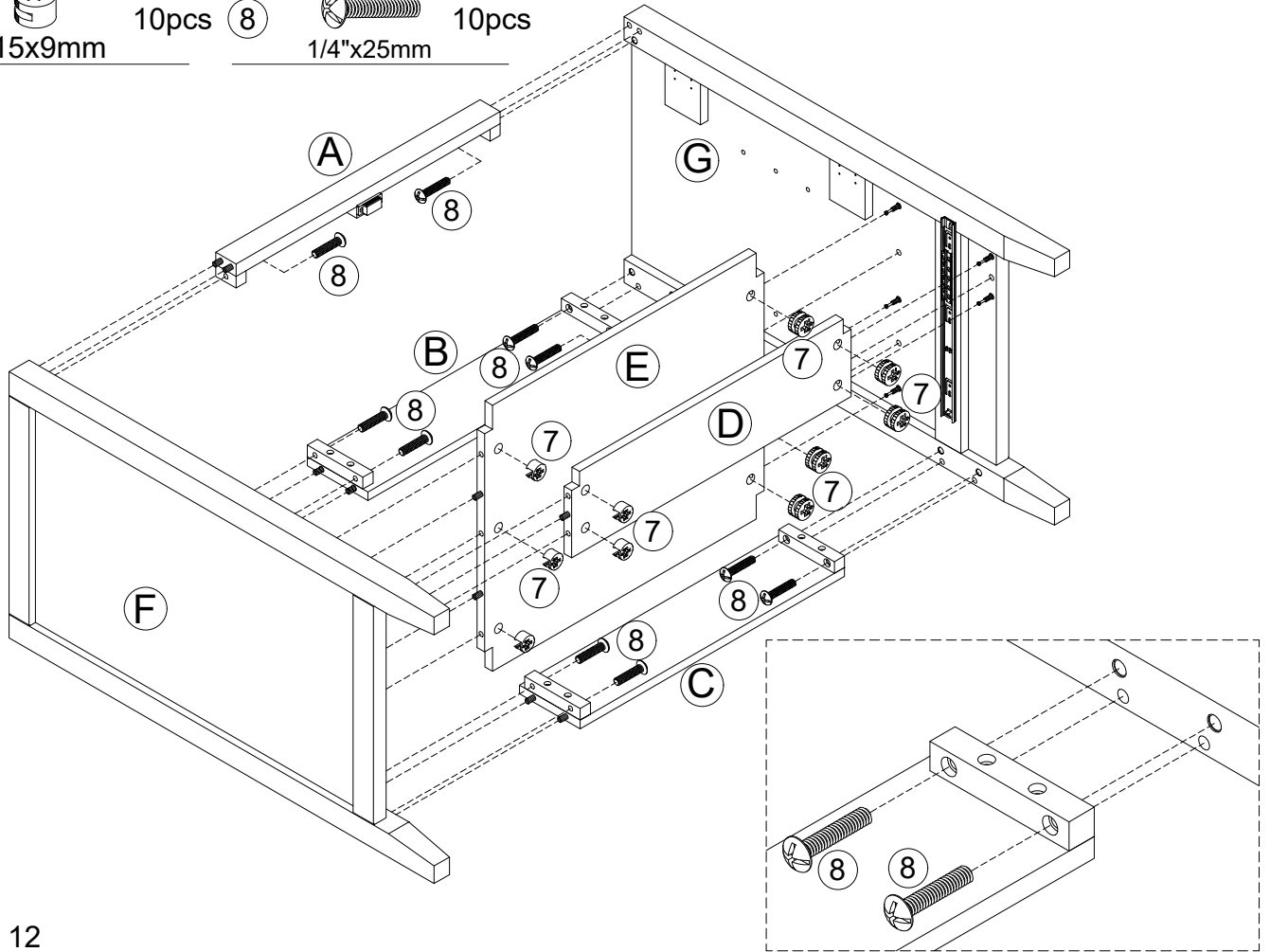
- ⑥  3pcs
Ø3x10mm




Please make sure that the screw is VERTICAL so as not to affect the sliding of the drawer.

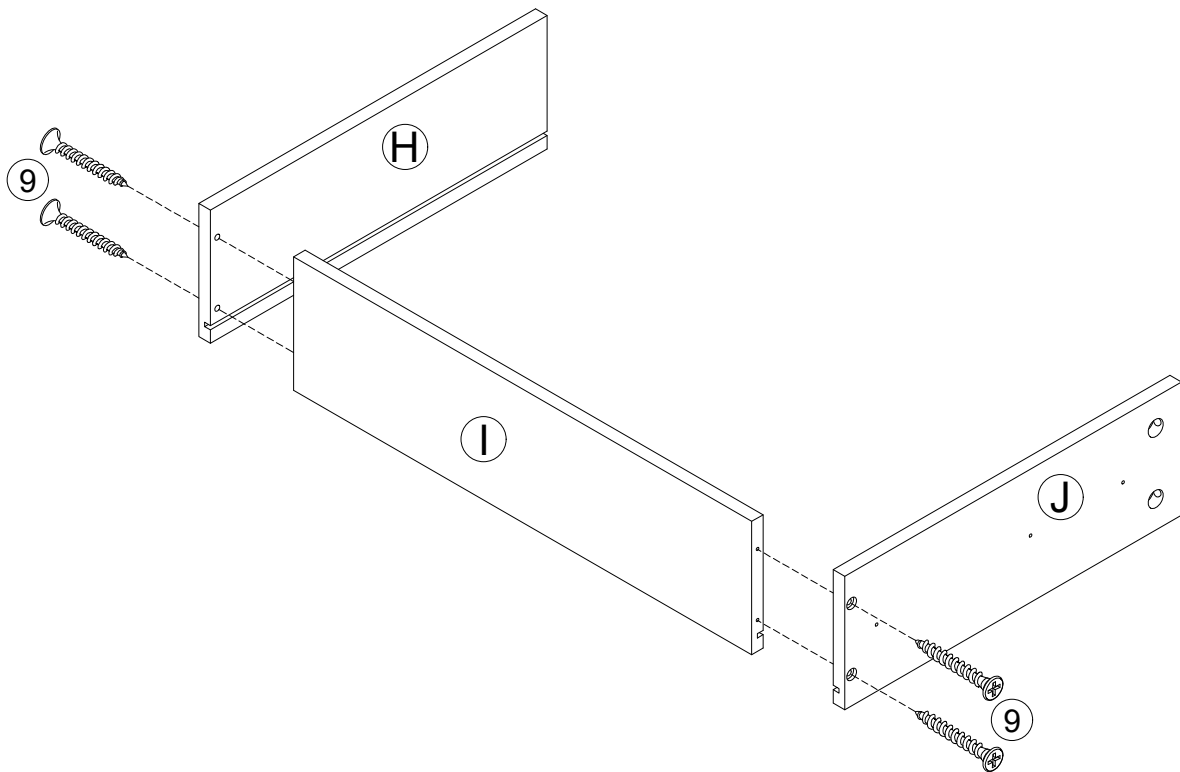
STEP 11

- ⑦  10pcs Ø15x9mm
- ⑧  10pcs 1/4"x25mm

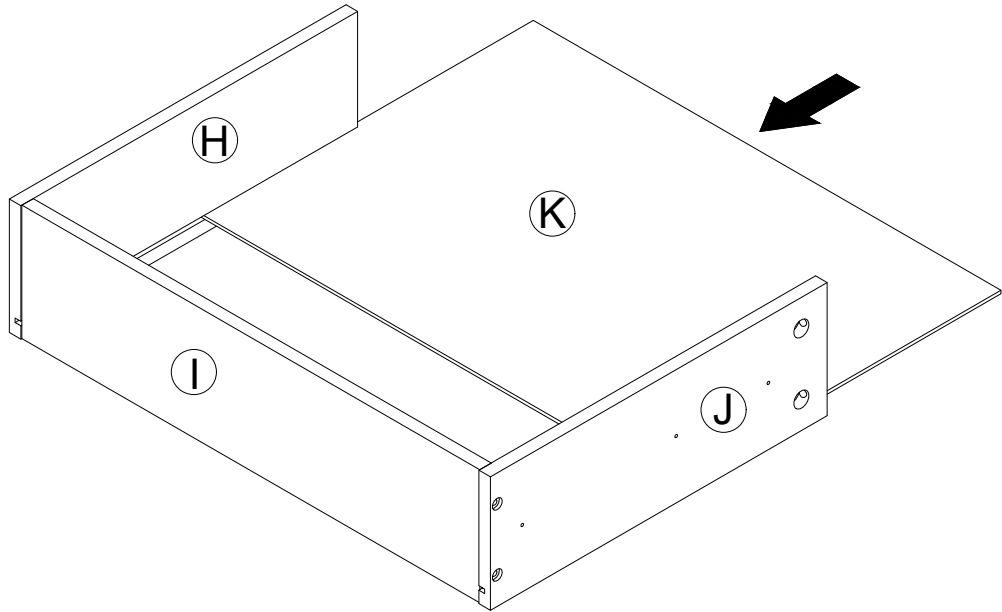


STEP 12

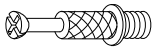
- ⑨  4pcs Ø4x25

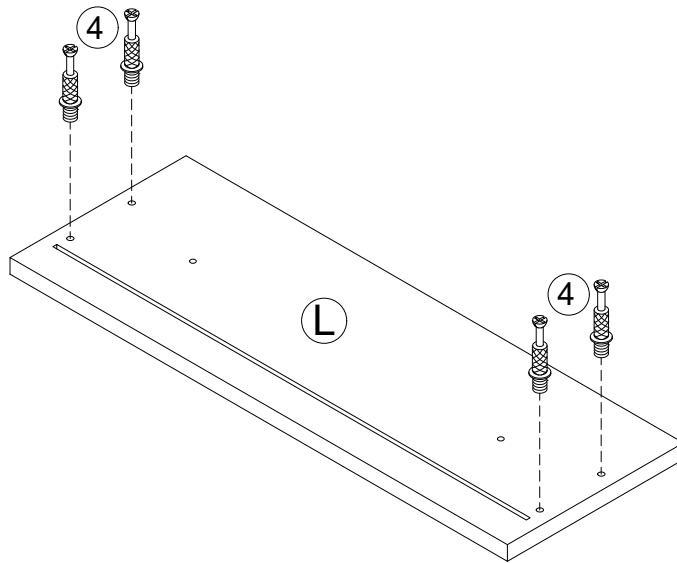


STEP 13



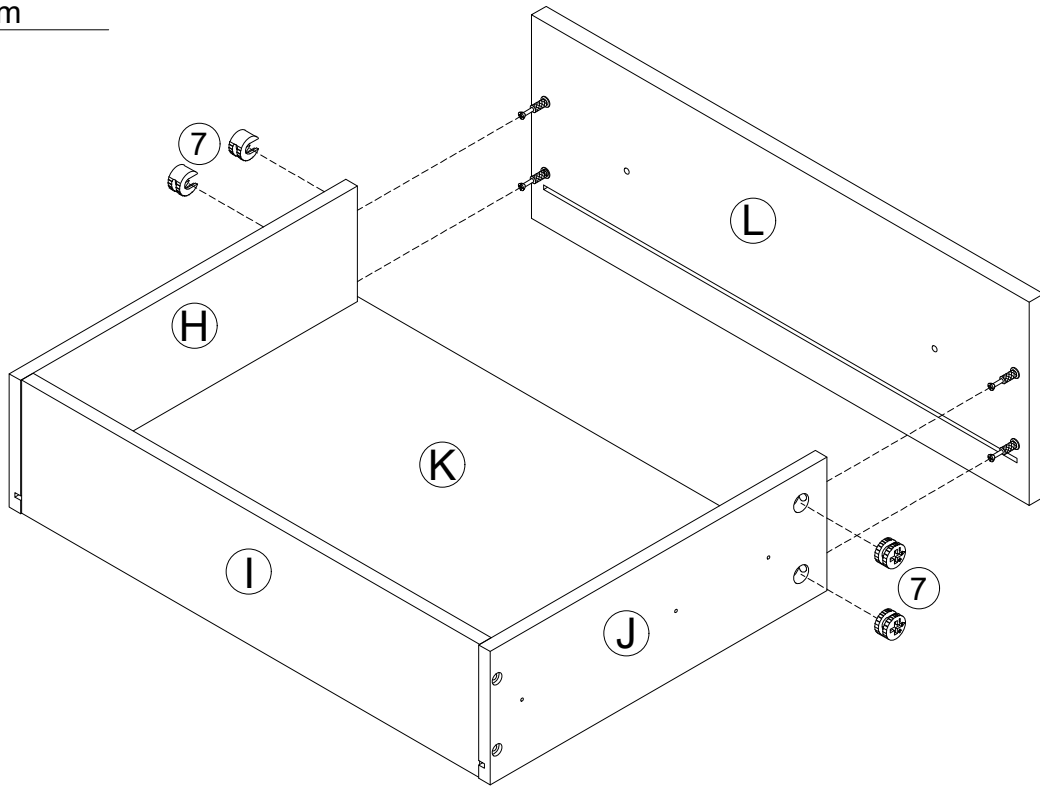
STEP 14

- ④  4pcs
Ø6x33mm
-





STEP 15

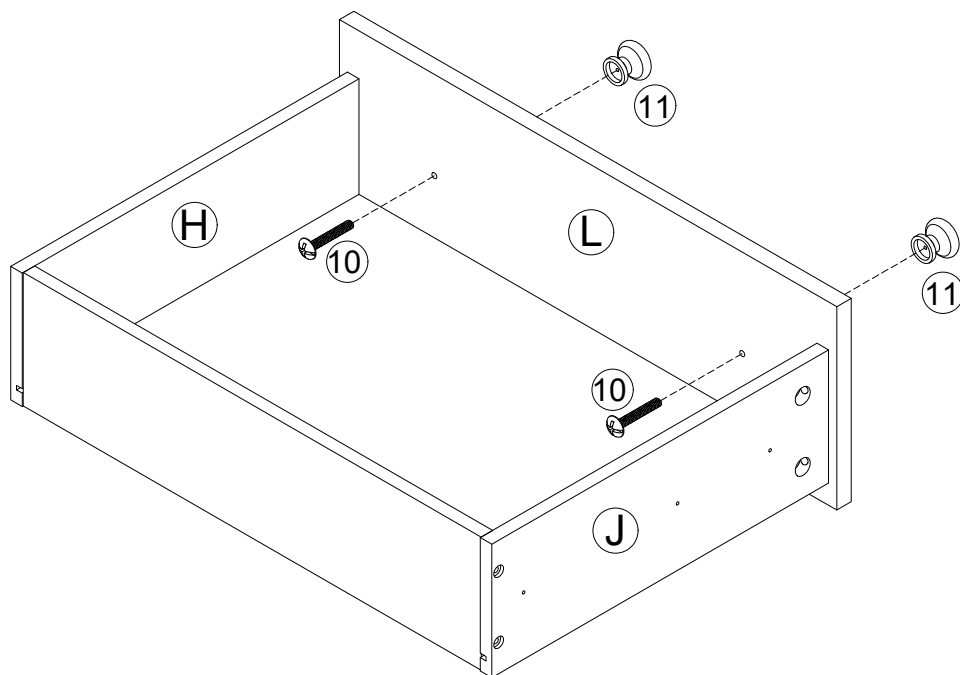
7  4pcs
Ø15x9mm



STEP 16

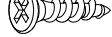
10  2pcs
5/32"x12mm

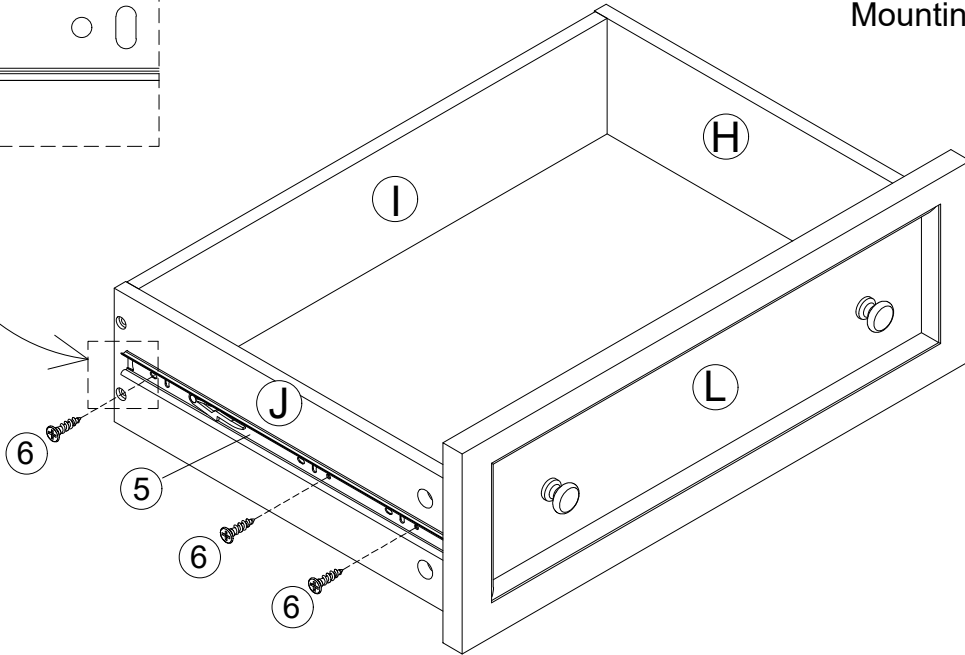
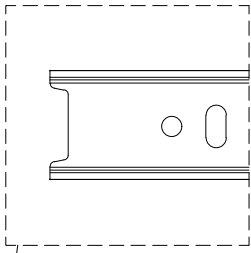
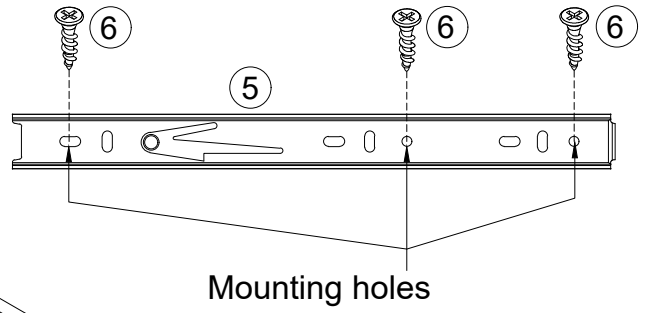
11  2pcs



STEP 17

⑤  1pc

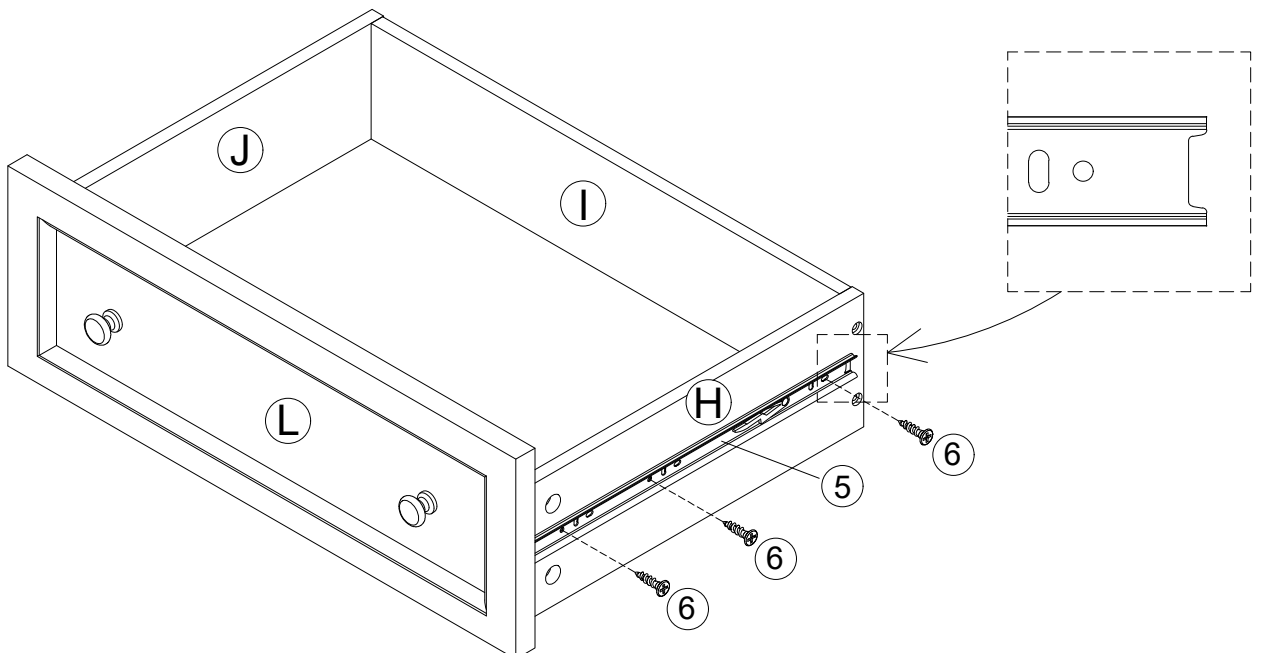
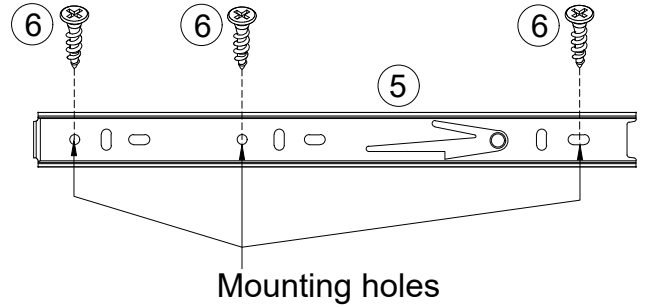
⑥  3pcs
Ø3x10mm



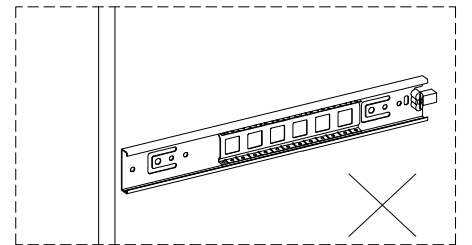
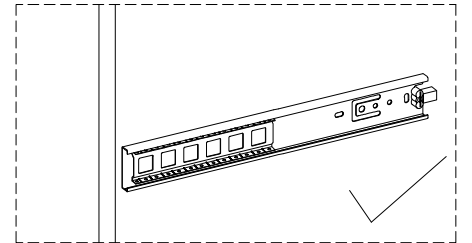
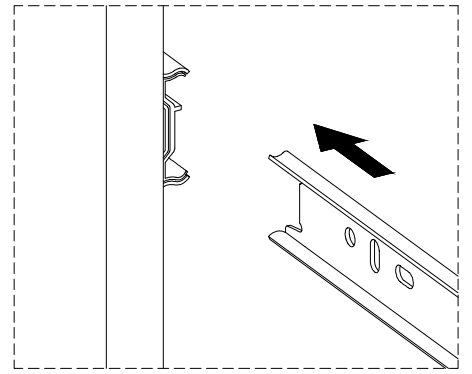
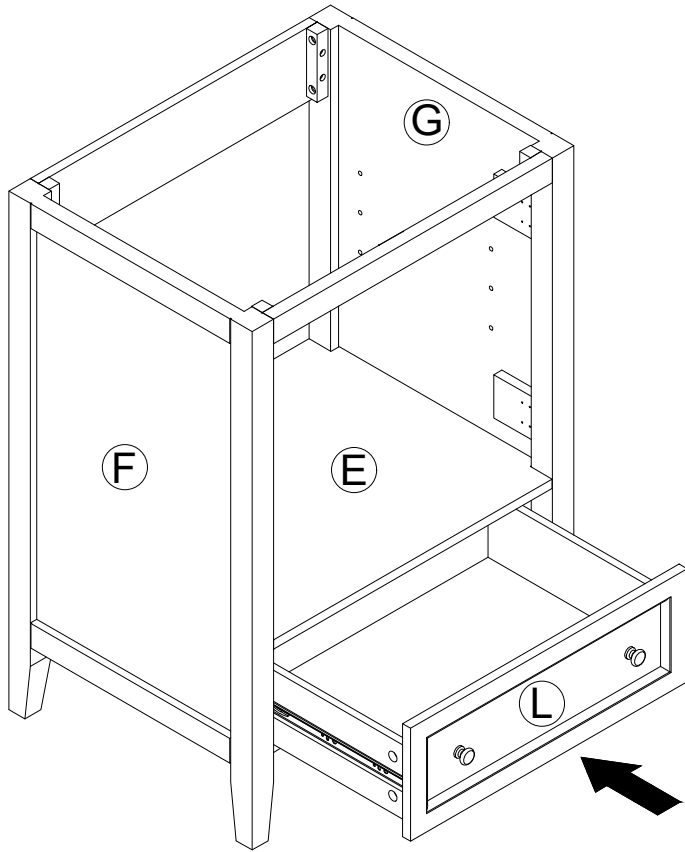
STEP 18

⑤  1pc

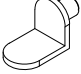
⑥  3pcs
Ø3x10mm

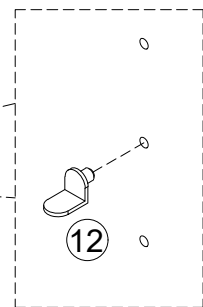
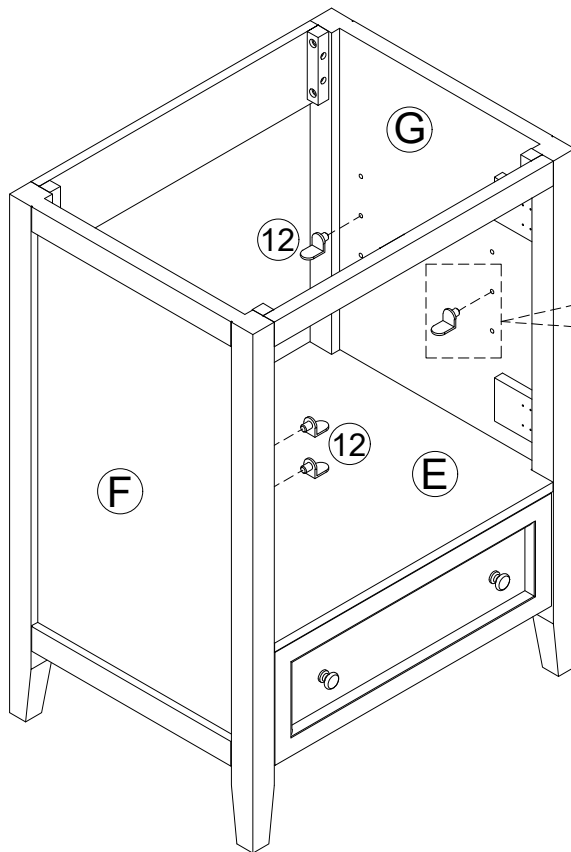


STEP 19

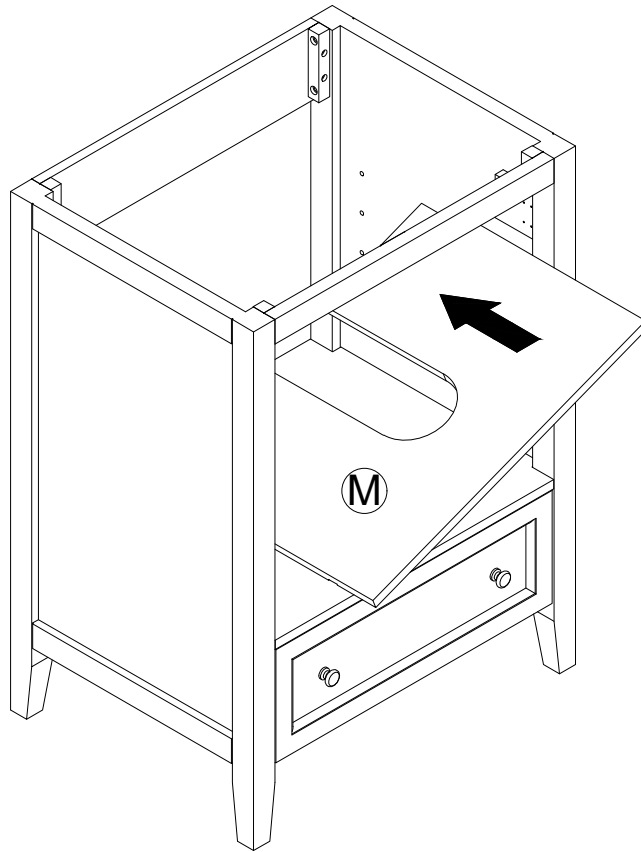


STEP 20


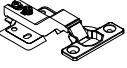


- ⑫  4pcs

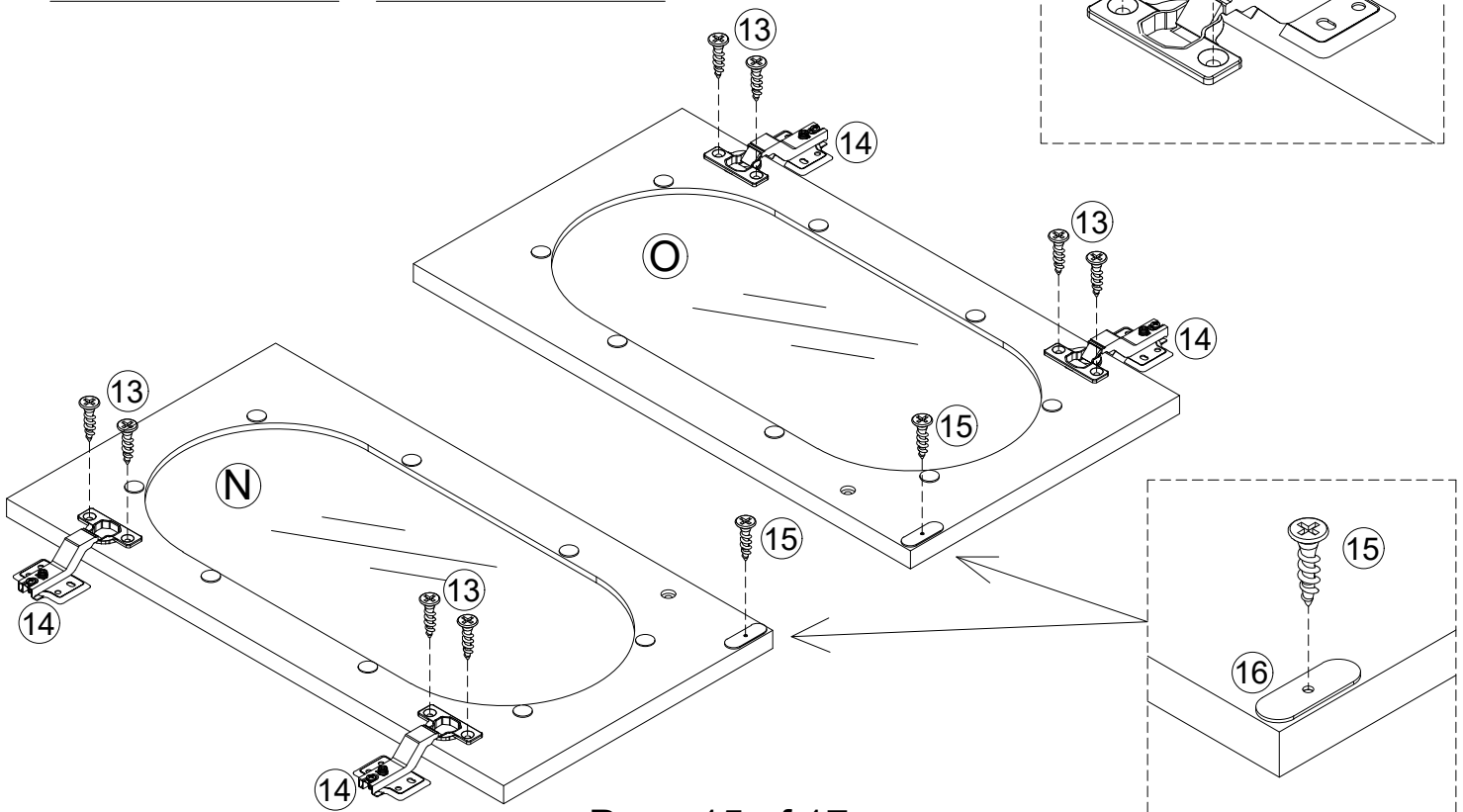
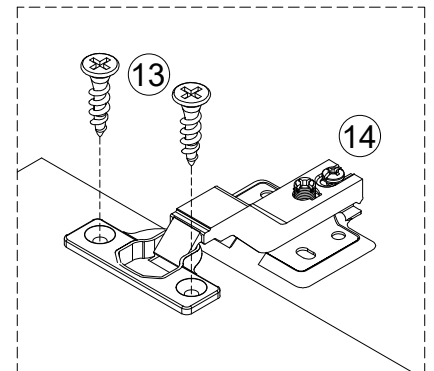


STEP 21



STEP 22

- | | | | | | |
|---|---|------|---|---|------|
| ⑬ |  | 8pcs | ⑭ |  | 4pcs |
| | Ø4x12mm | | | | |
| ⑮ |  | 2pcs | ⑯ |  | 2pcs |
| | Ø3x12mm | | | | |

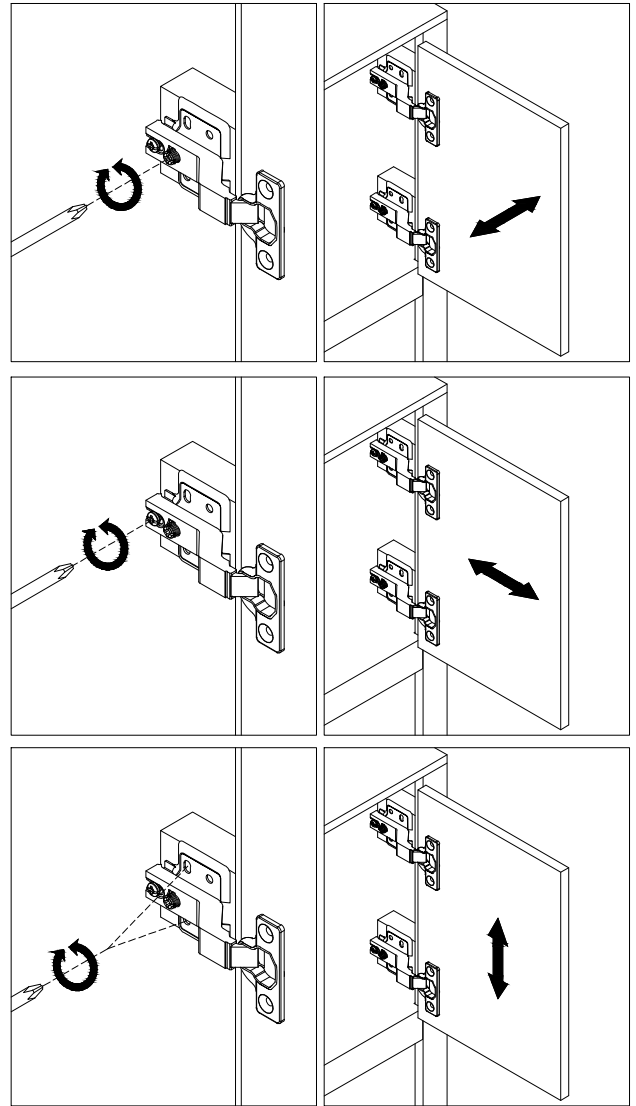
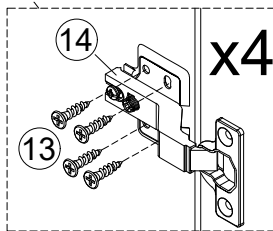
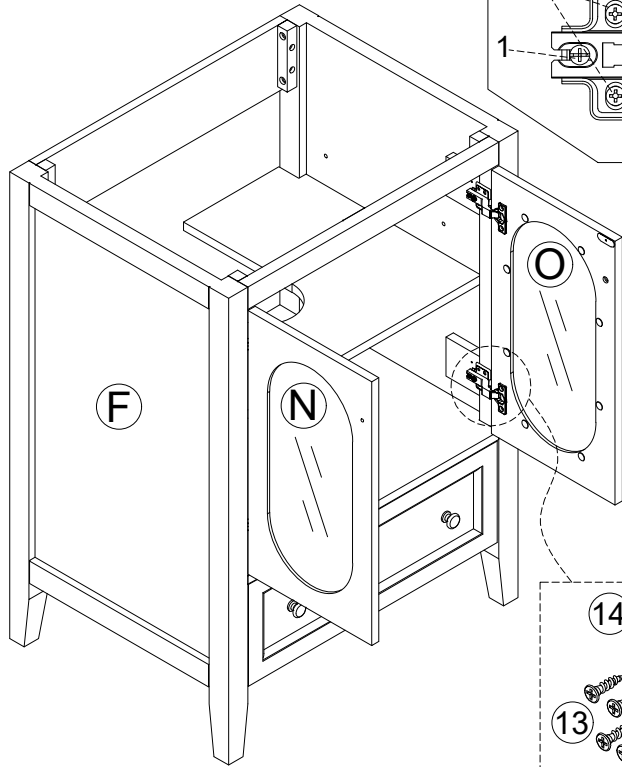
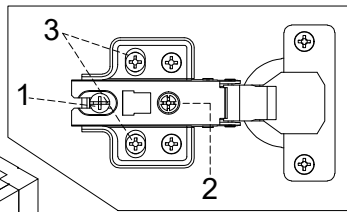


STEP 23



- ⑬  16pcs
 Ø4x12mm

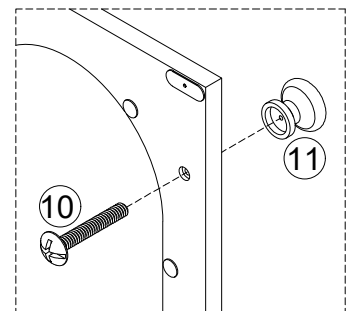
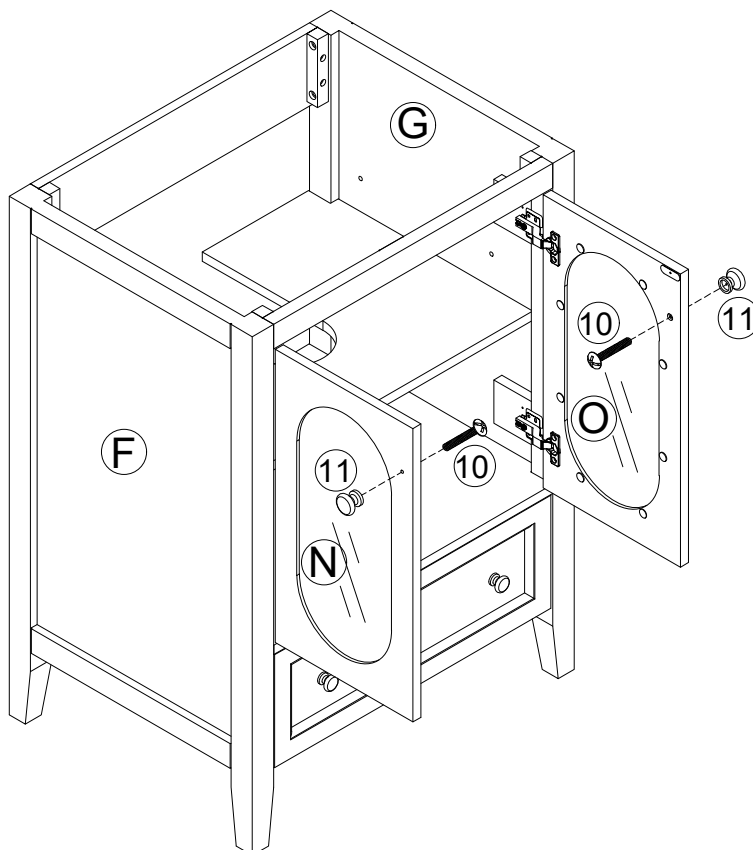
Three-way adjustable hinge for perfectly aligned doors

1. TO ADJUST DOOR FORWARD OR BACKWARD.
2. TO ADJUST DOOR TO RIGHT OR TO LEFT.
3. TO ADJUST DOOR UP OR DOWN.

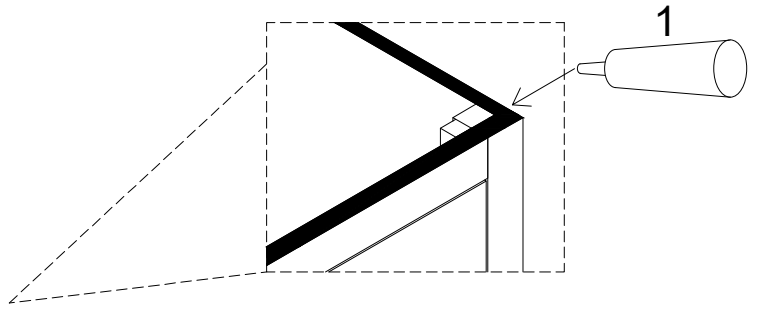
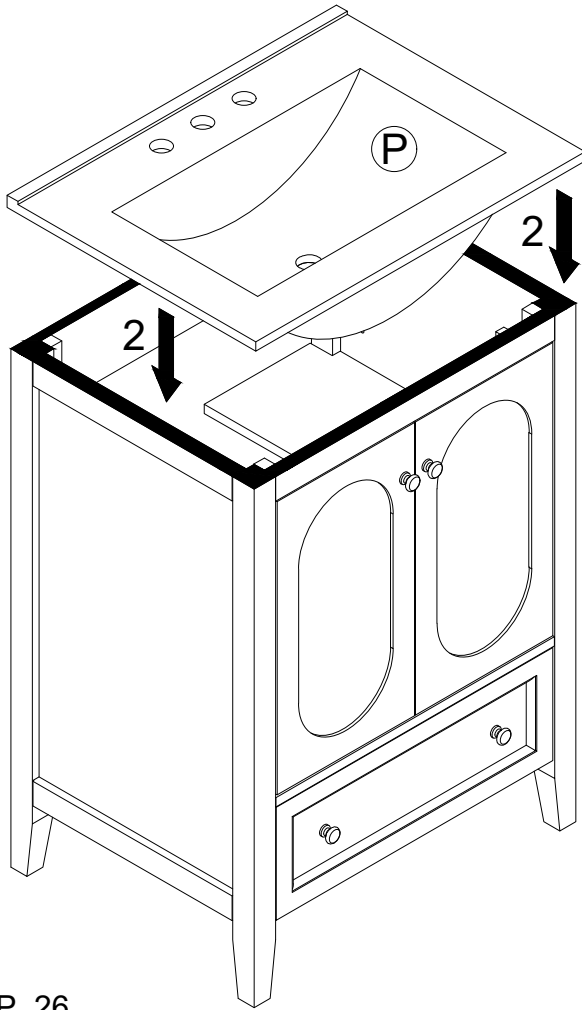


STEP 24

- ⑩  2pcs
 5/32"x12mm
- ⑪  2pcs



STEP 25



To install the Top (1) to the vanity (2). Apply silicone caulk to the top edge of the wood cabinet. With the help of another adult, gently lower the Sink top with assembled sink onto the cabinet. Make sure the Sink top is flush with the back side of the wood cabinet and the wood cabinet left and right side walls.

STEP 26

