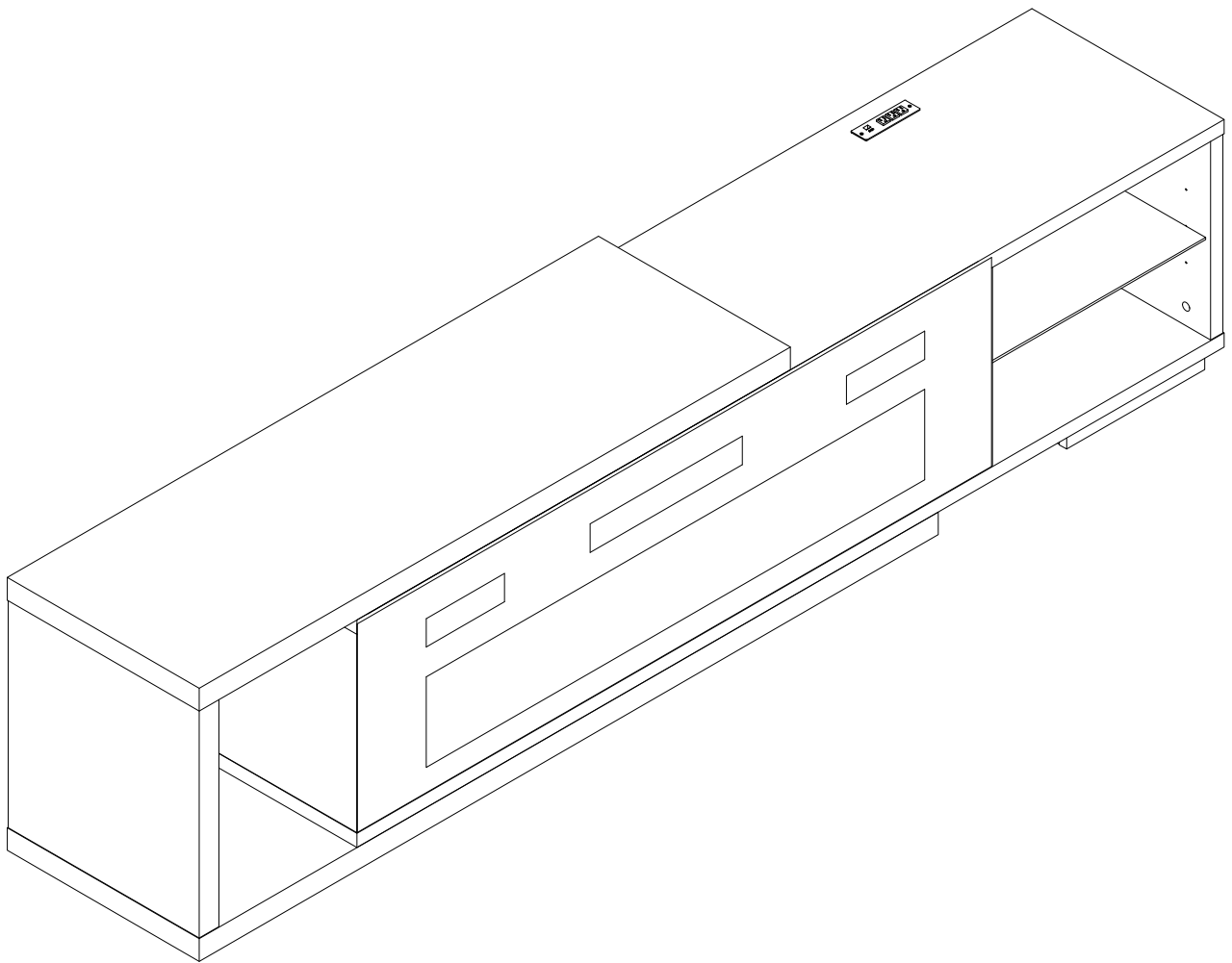
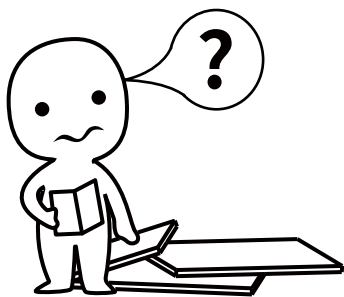


TV Cabinet

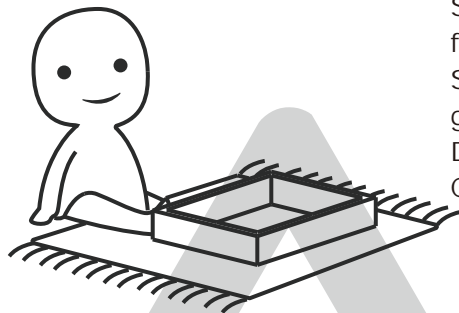
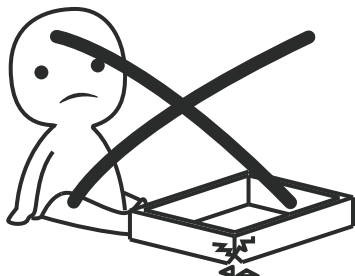
HKDM098 Assembly Manual





IMPORTANT INFORMATION!

please read the entire manual before starting to assemble and/or using this product. follow the manual thoroughly and keep it for further reference.

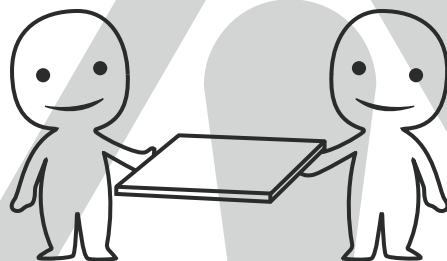


SAFETY TIPS:

Static charge may cause dust on foam- clean with a dry or damp cloth. Small foam strands may be present - handle gently and dispose of properly. Do not burn or incinerate. Check local recycling guidelines.

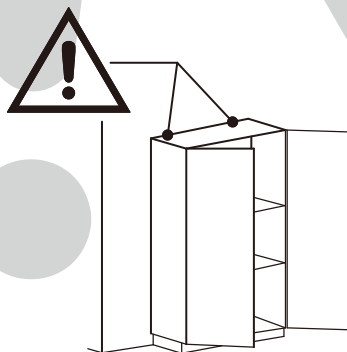
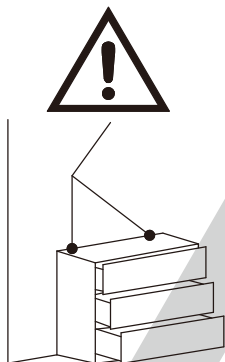
AVOID SCRATCHES!

In order to avoid scratching this furniture should be assembled on a soft layer- could be a rug.



IMPROVE EFFICIENCY !

Try to find a partner to install with you, which can speed up the installation efficiency and shorten the time.



ANTI-TOPPLE WARNING !

Overtipped furniture can cause serious or fatal crush injuries. To prevent tipping over, be sure to use the wall attachment, if not included with this product. Please purchase the wall attachment that fit your wall. If unsure, seek professional advice. Please read and follow each step of the instructions carefully.

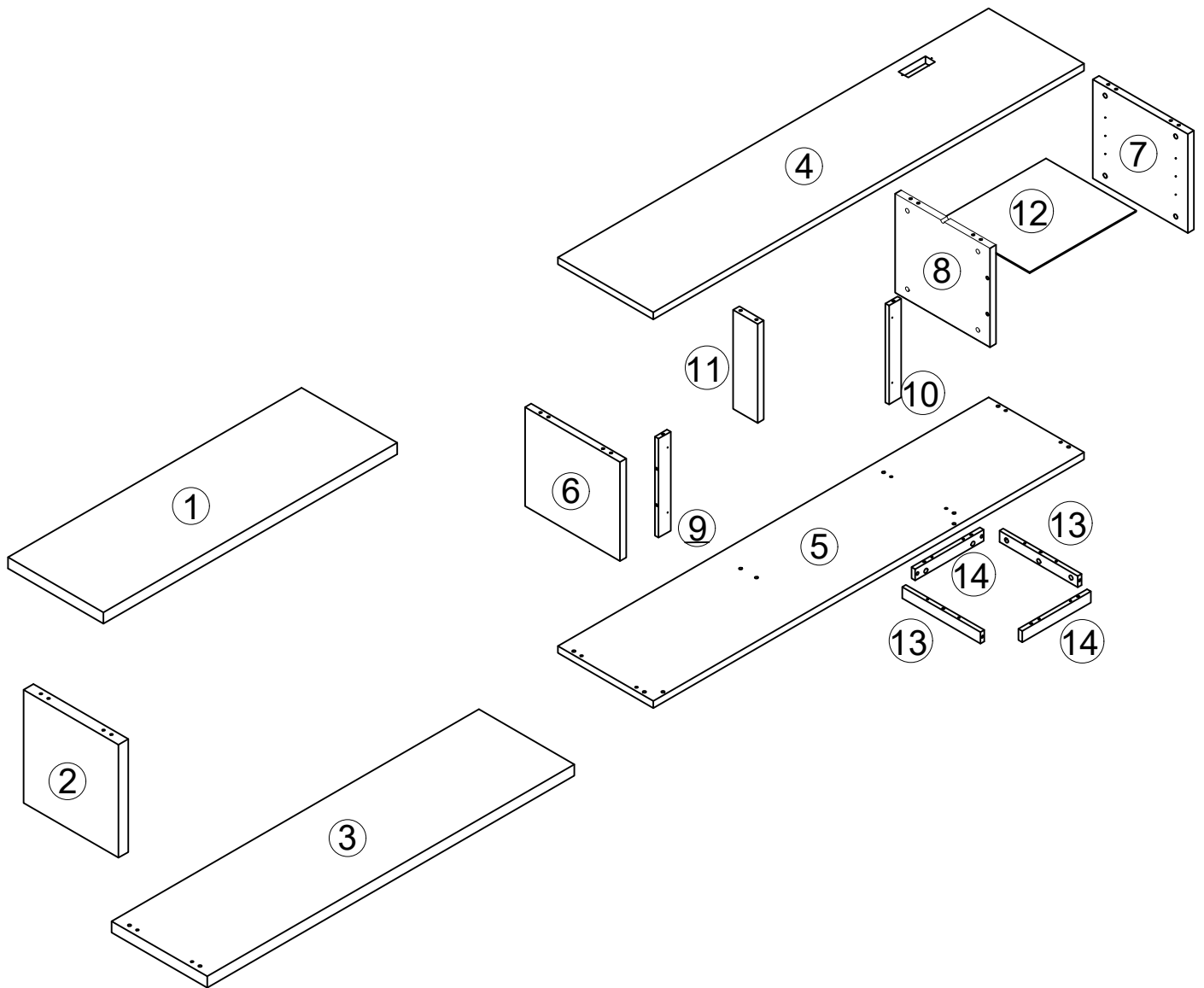
IMPORTANT !

It is important that any product which is assembled using any kind of screw is re-tightened 2 weeks after assembly, and once every 3 months - in order to assure stability through-out the lifespan of the product.

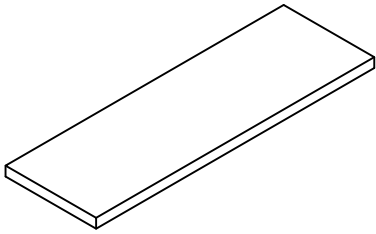
For regular maintenance and cleaning of the product, for the frame, please use a rag dipped in neutral detergent to fully wipe it, and then dry it with a clean rag. For glass materials, wipe with a rag dampened with water glass cleaner, and then dry with a dry rag.

Please use proper tools for assembly. Using an electric screwdriver can accelerate the assembly speed, but please do not overtighten the screws.

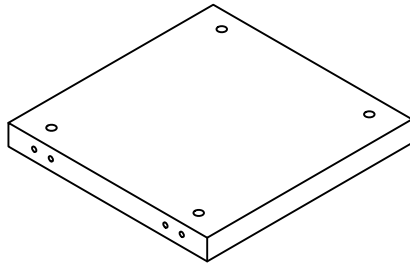
Board Identification



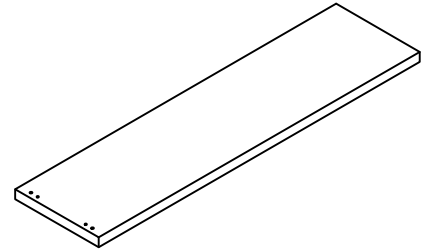
PARTS LIST



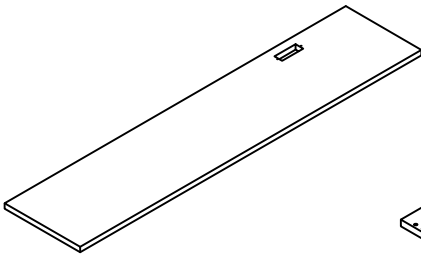
1



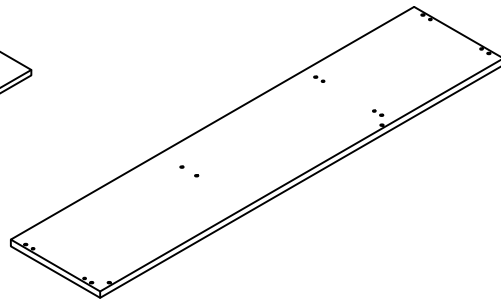
2



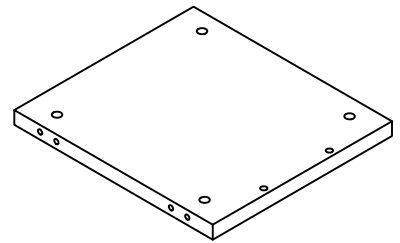
3



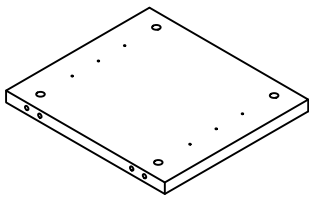
4



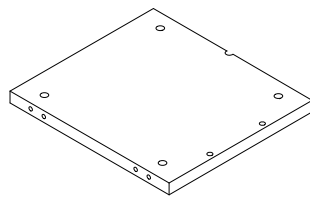
5



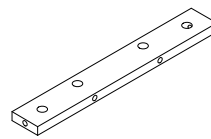
6



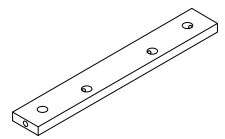
7



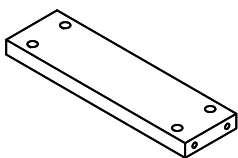
8



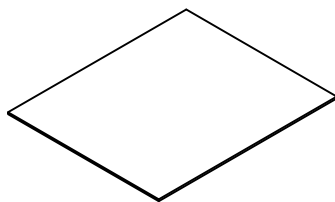
9



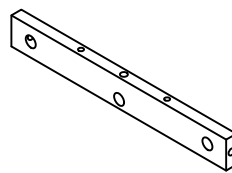
10



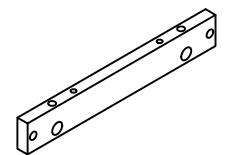
11



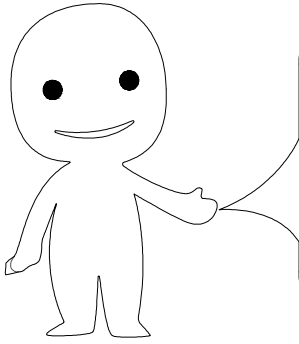
12



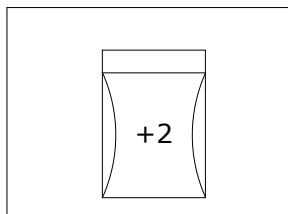
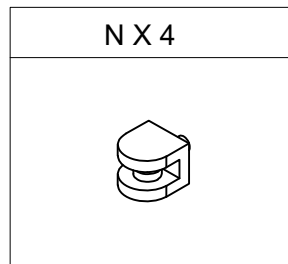
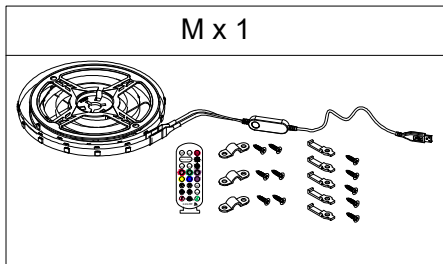
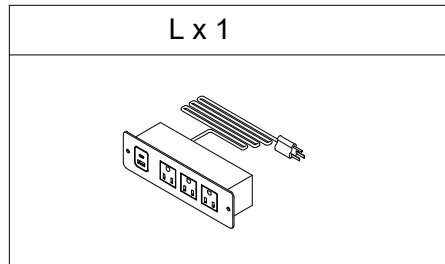
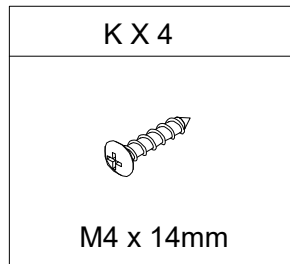
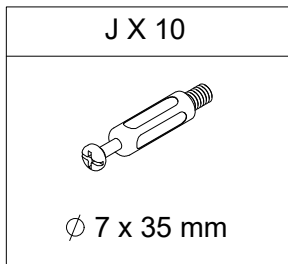
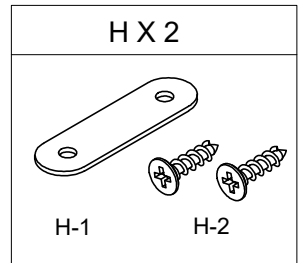
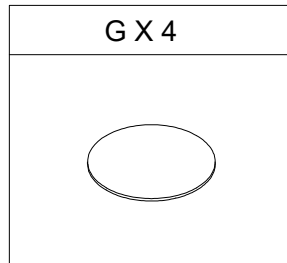
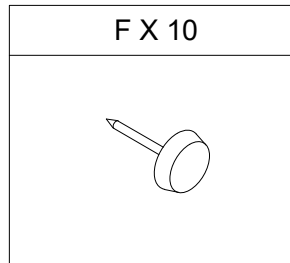
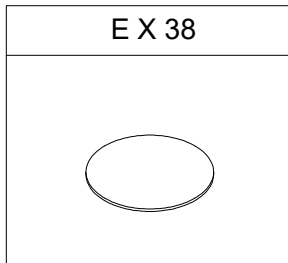
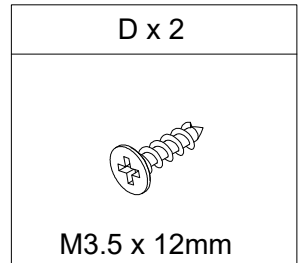
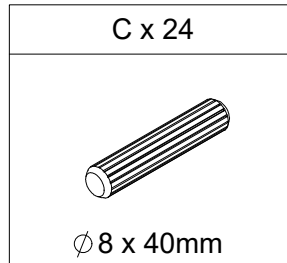
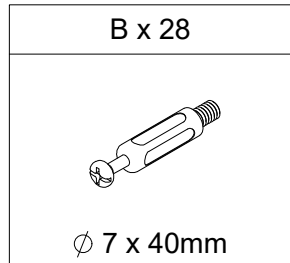
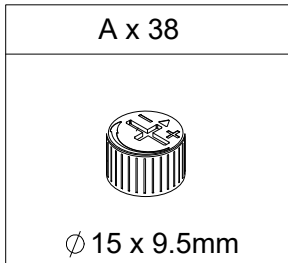
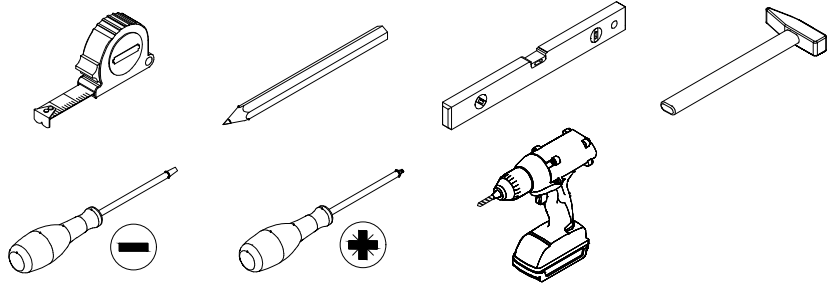
13



14

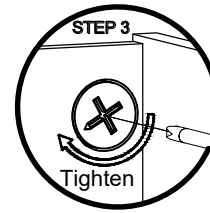
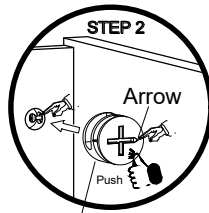
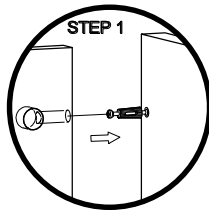
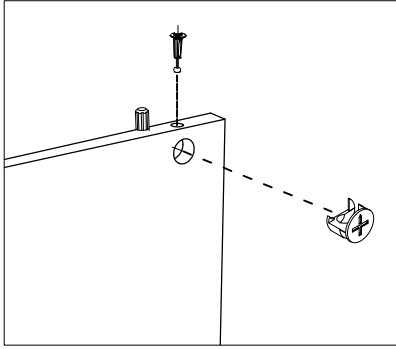


Please prepare the following tools



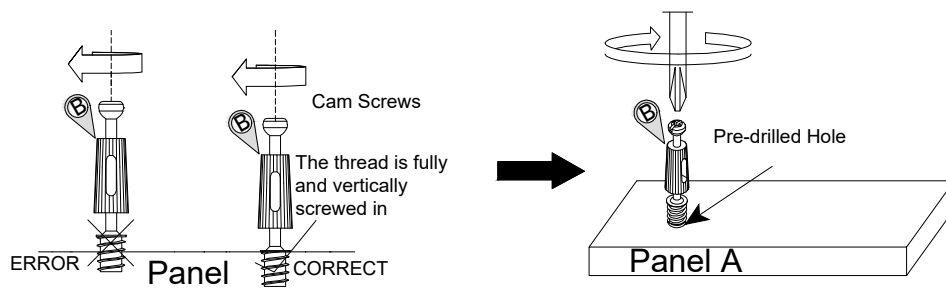
Tips: The number after "+" represents the spare hardware.

MINIFIX POSITION

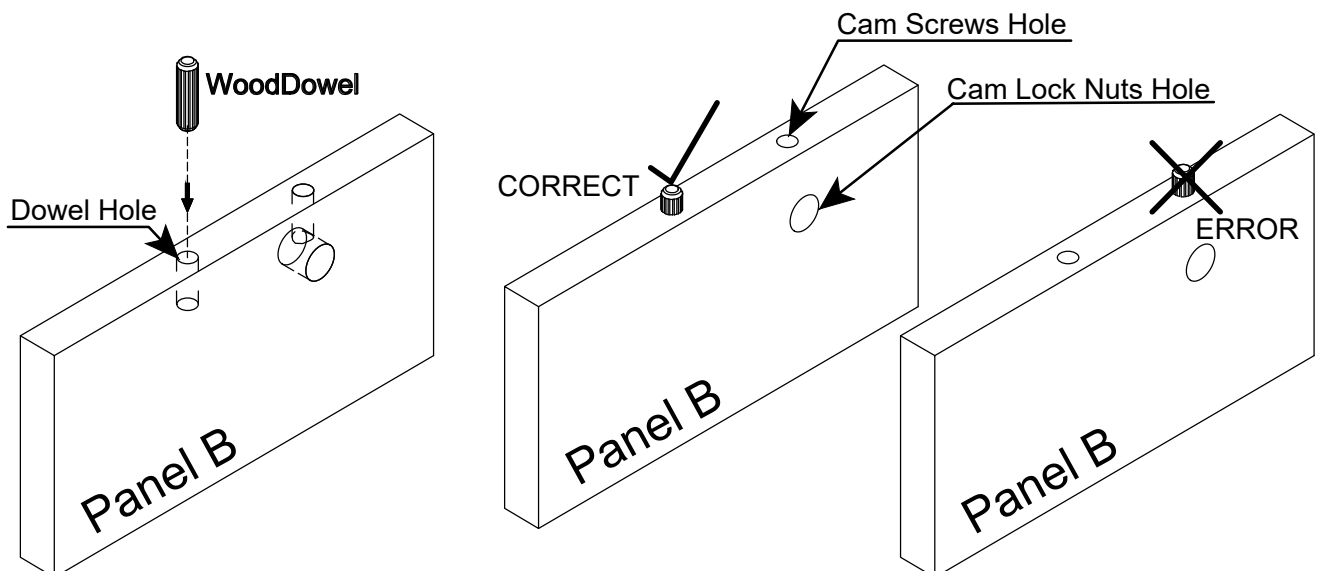


Push the KD cam all the way into the hole before tightening.

1. Screw the Cam Screws into the pre-drilled holes in the panel.

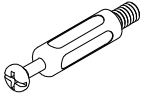


2. Screw the WoodDowel into the pre-drilled holes in the panel.



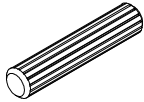
01

B x 14



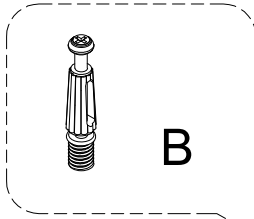
Ø 7 x 40mm

C x 12

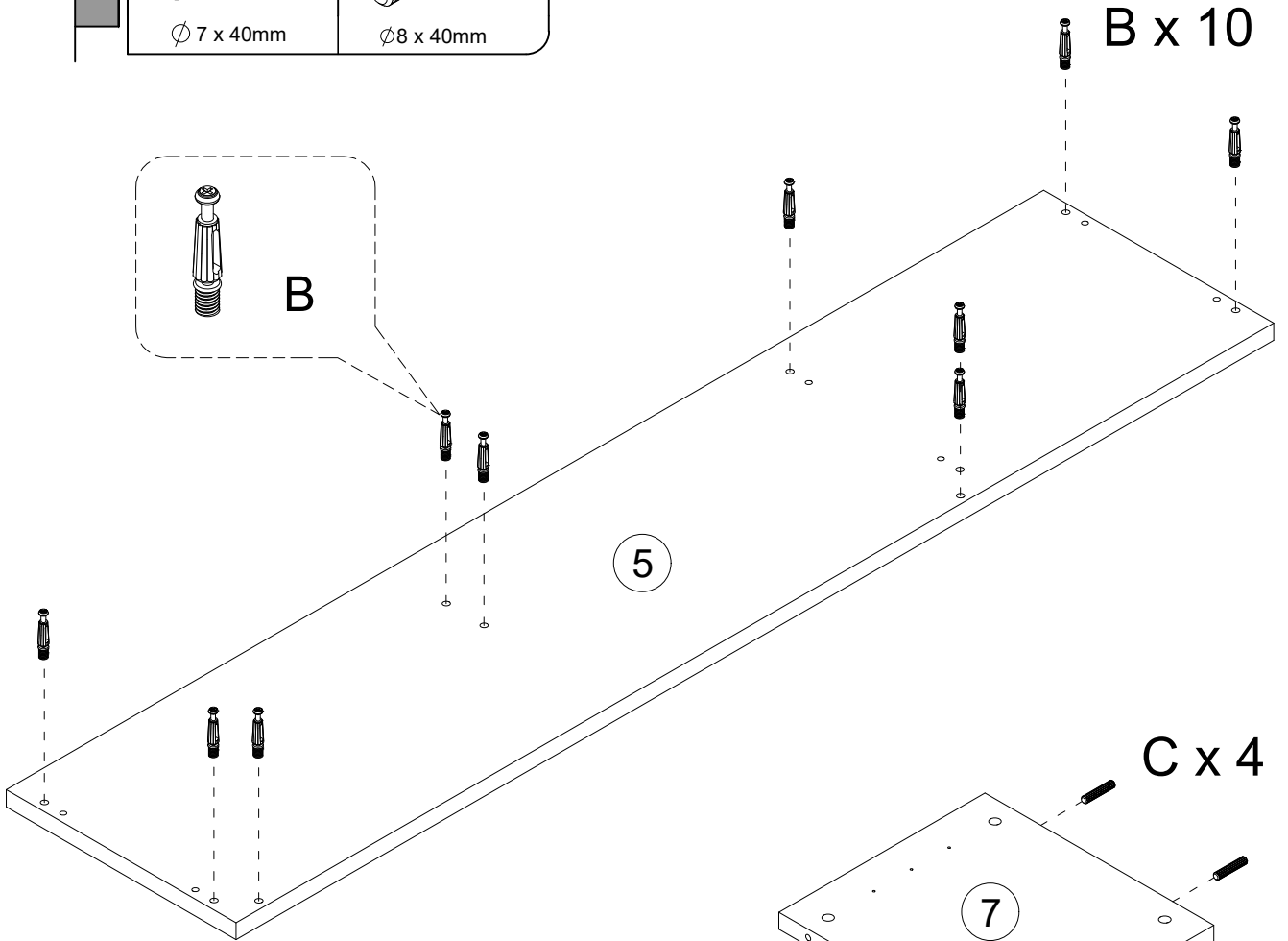


Ø 8 x 40mm

B x 10



B

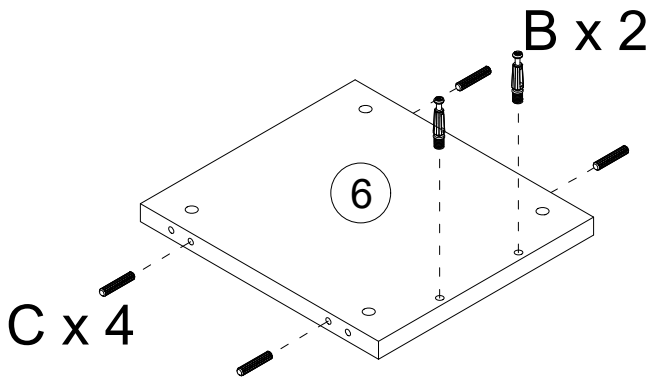


5

C x 4

7

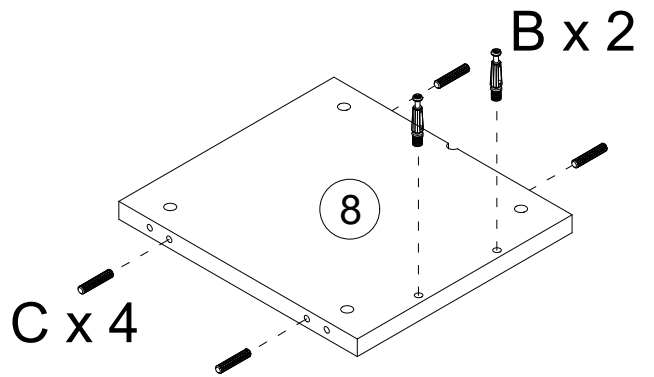
B x 2



6

C x 4

B x 2



8

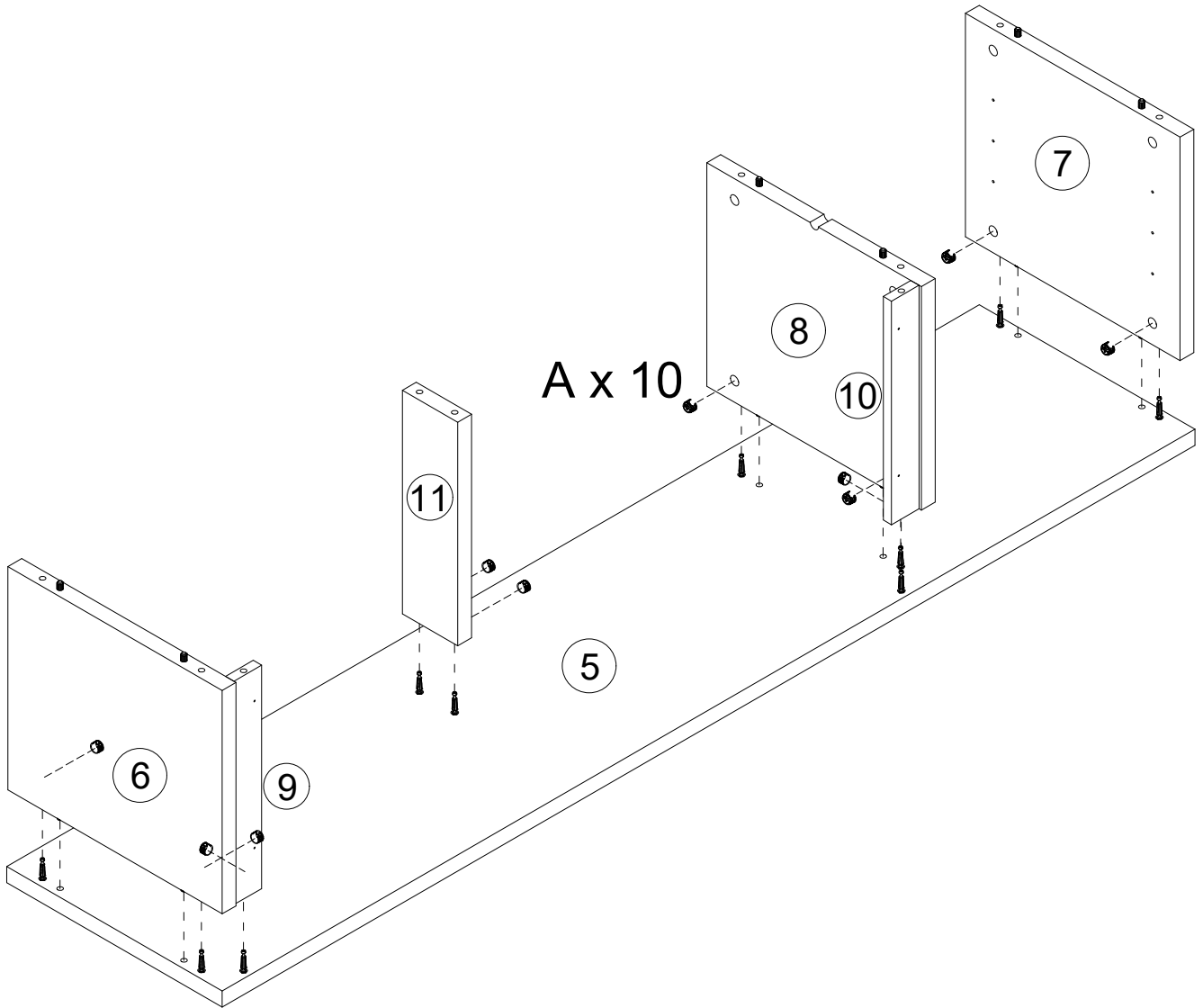
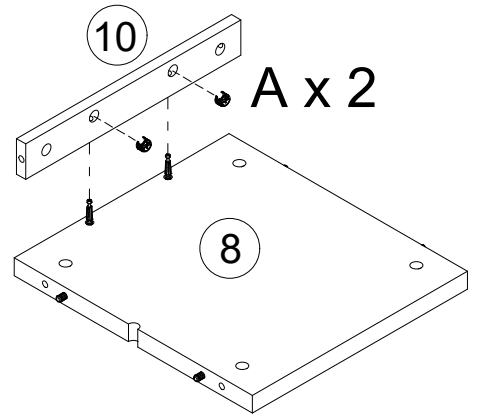
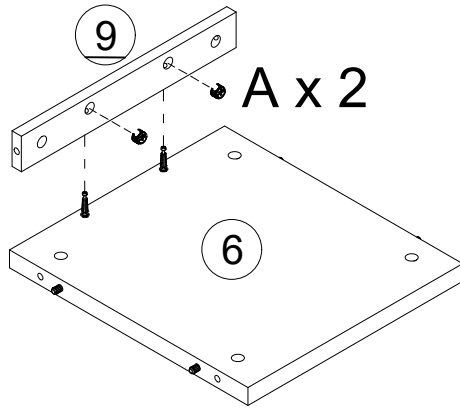
C x 4

02

A x 14

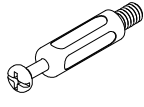


∅ 15 x 9.5mm



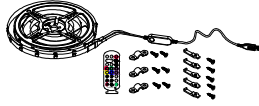
03

B x 12

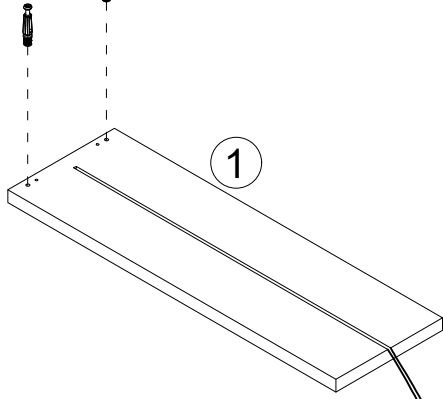


∅ 7 x 40mm

M x 1

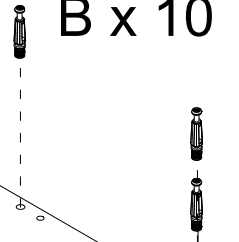


B x 2



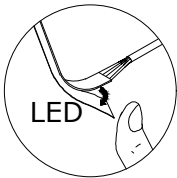
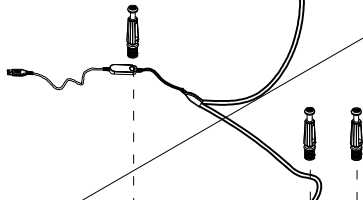
1

B x 10

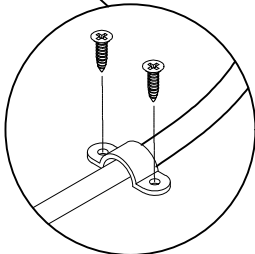
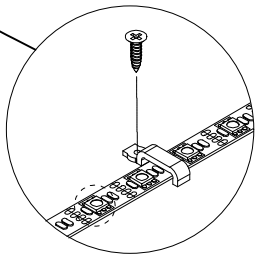


4

M



LED



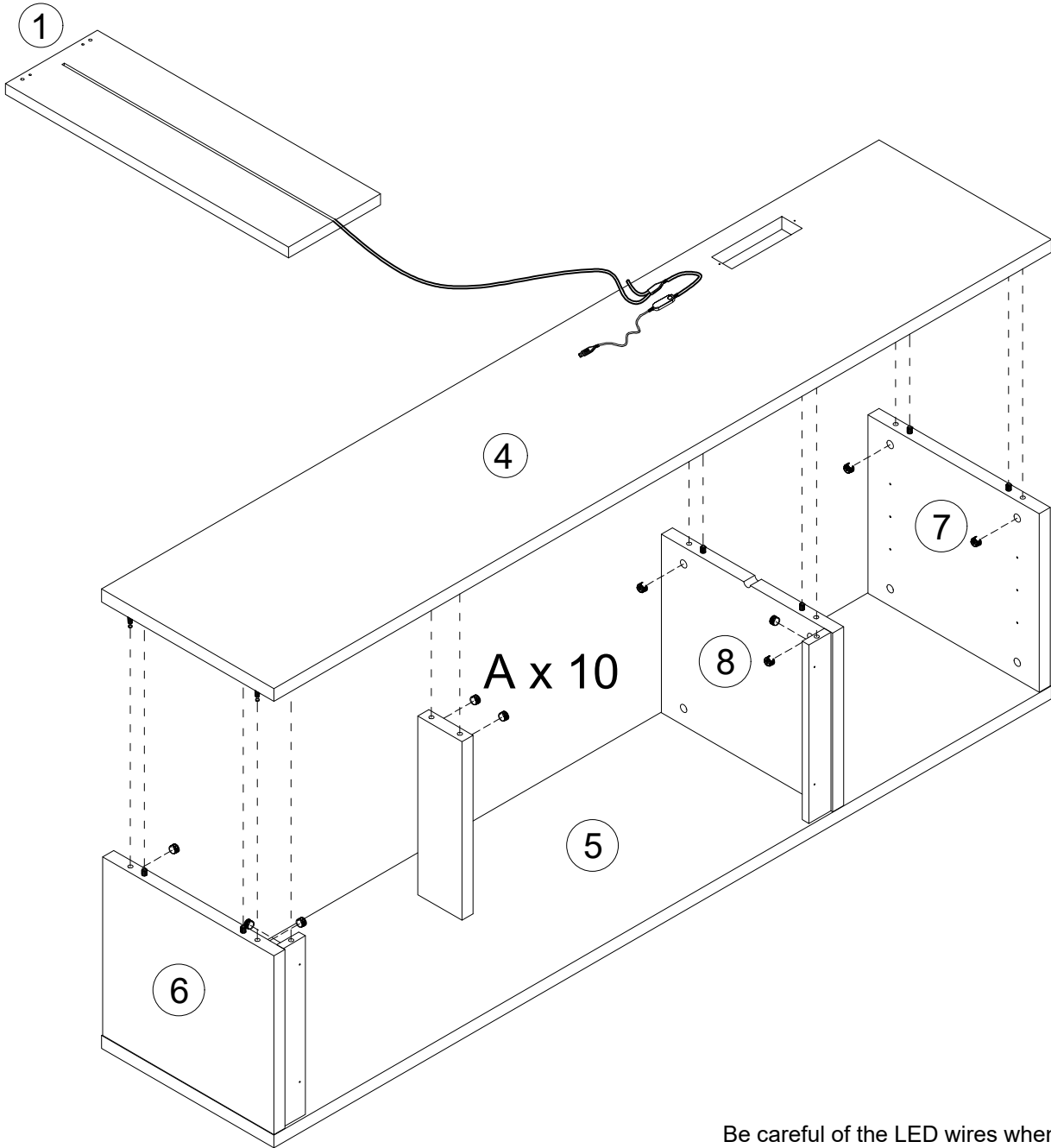
Tear off the back tape of the light strip and stick it on

04

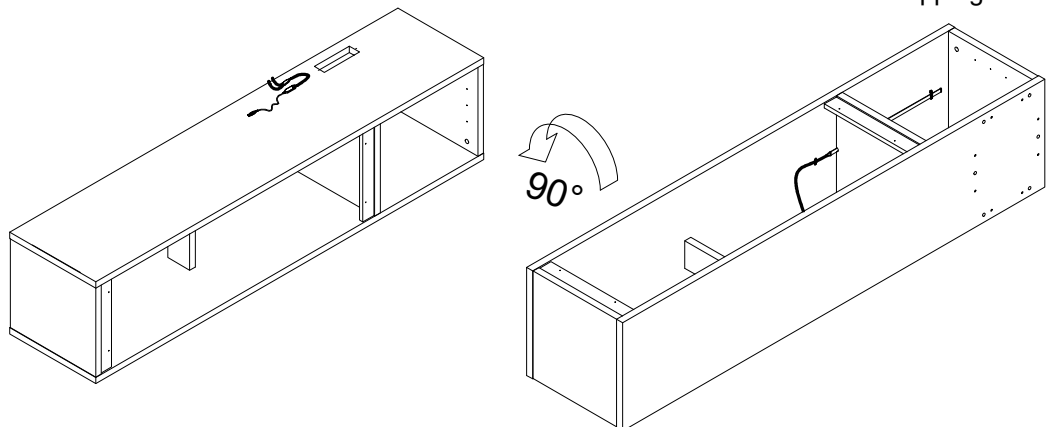
A x 10



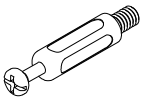
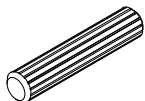
∅ 15 x 9.5mm

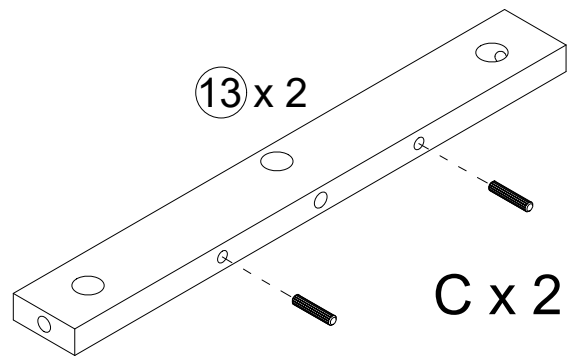
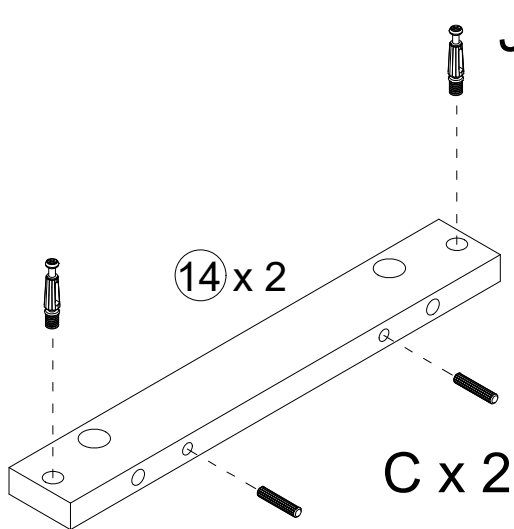
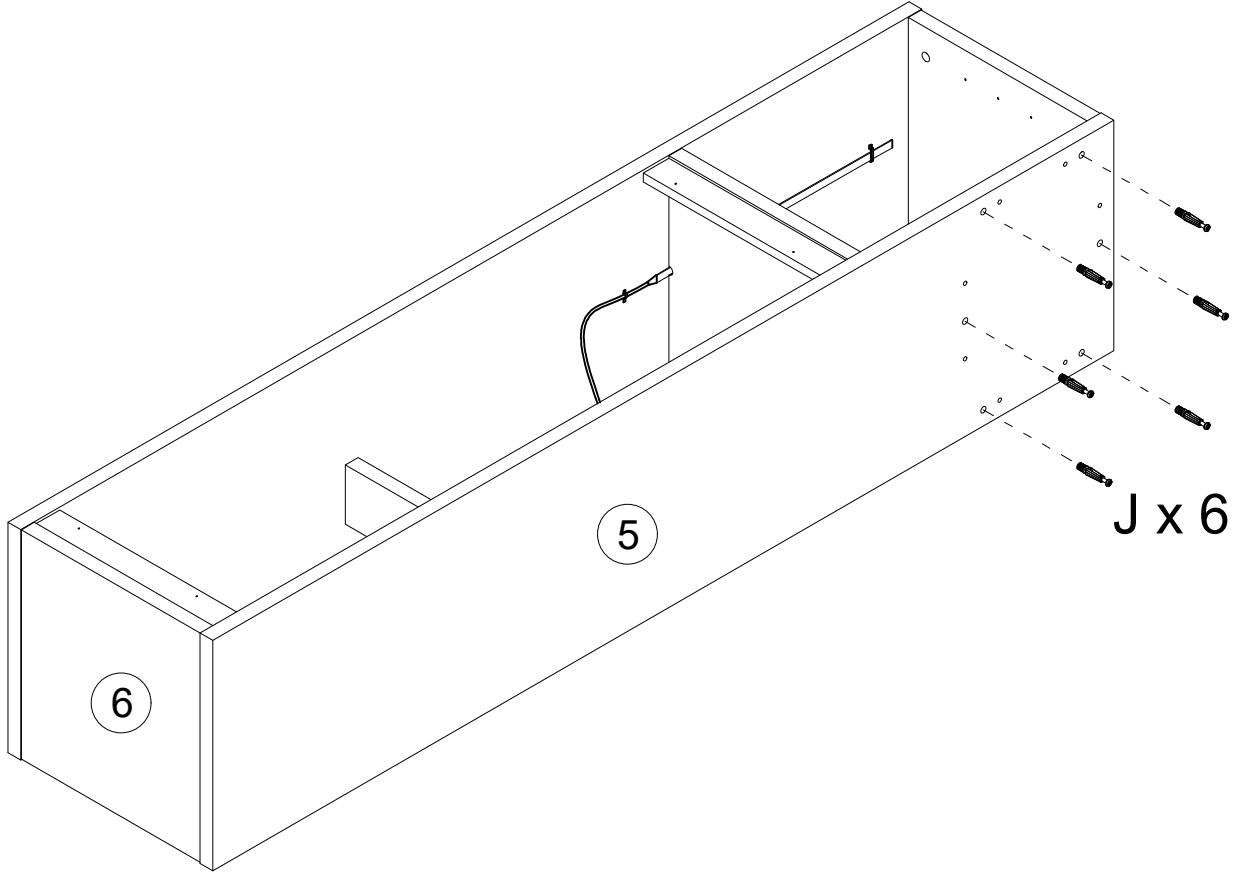


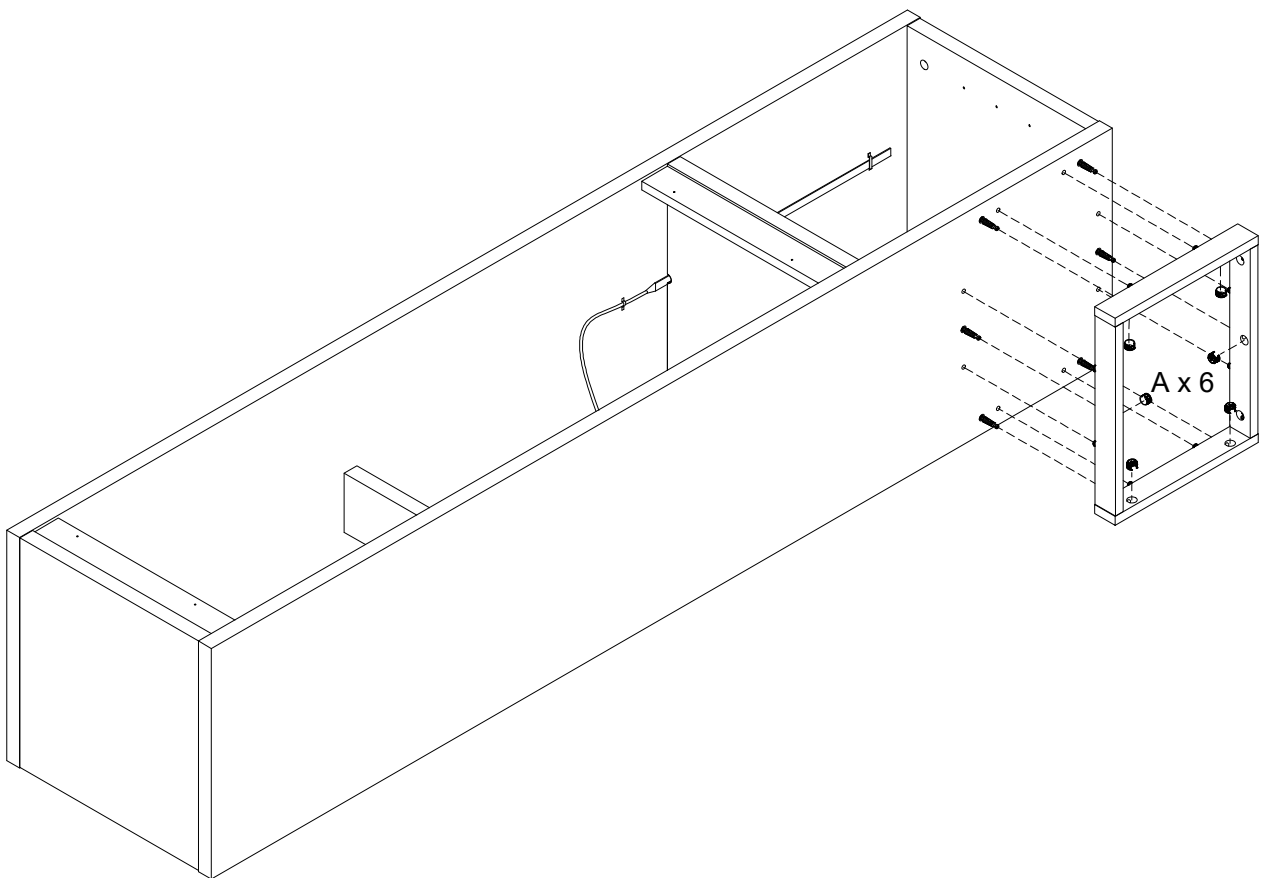
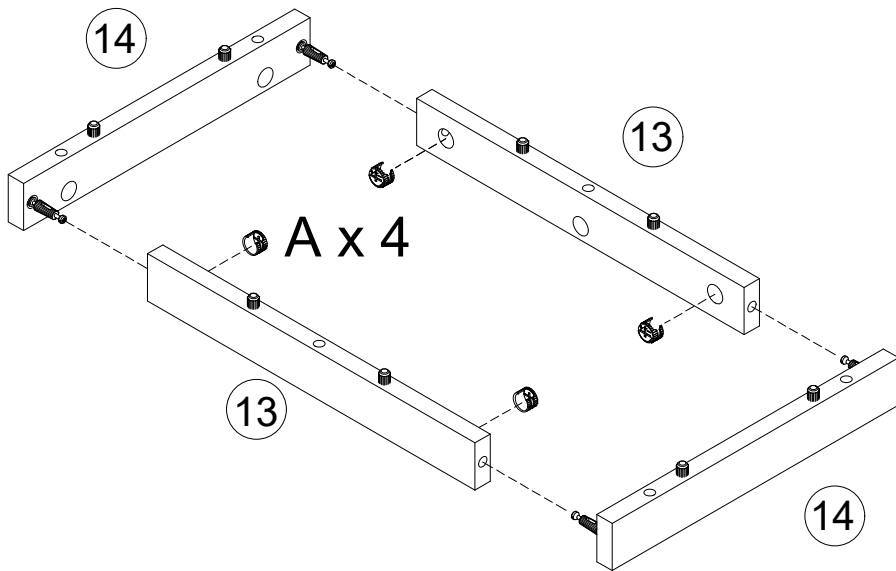
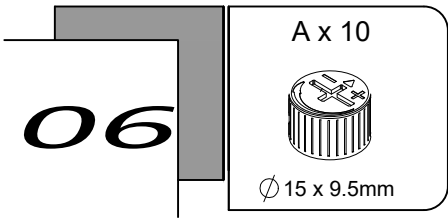
Be careful of the LED wires when flipping.



05

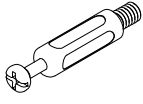
J x 10  Ø 7 x 35mm	C x 12  Ø 8 x 40mm
--	--





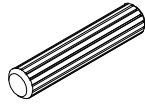
07

J x 2

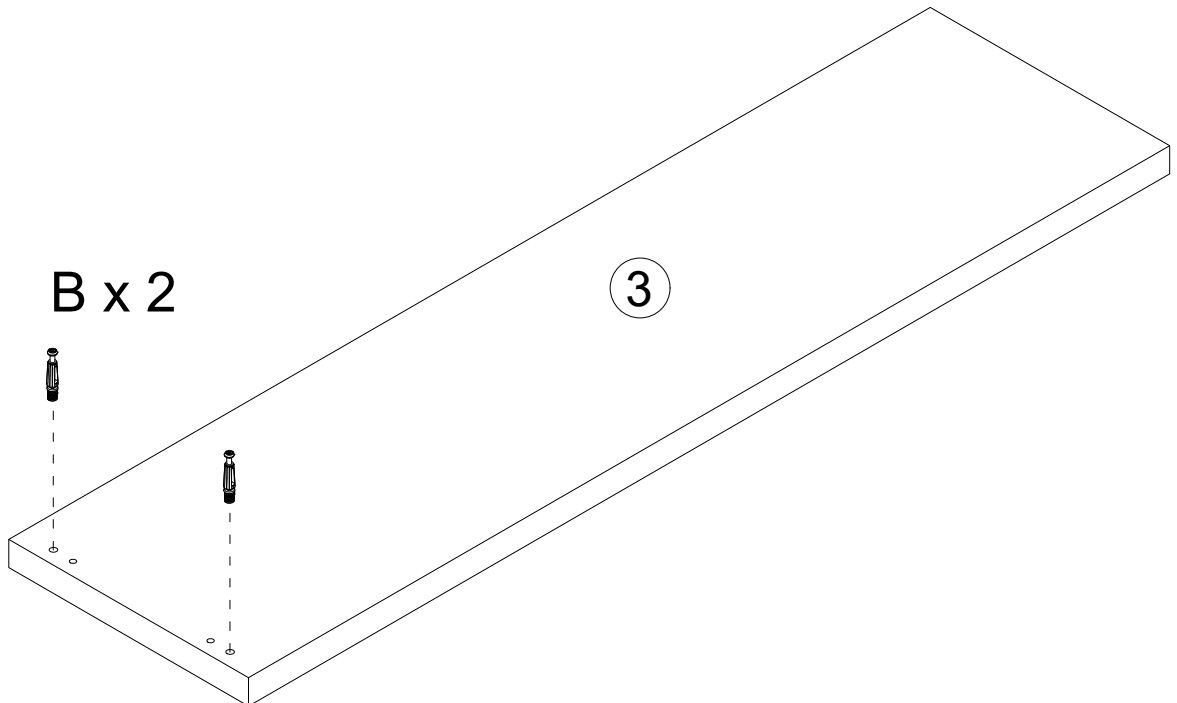
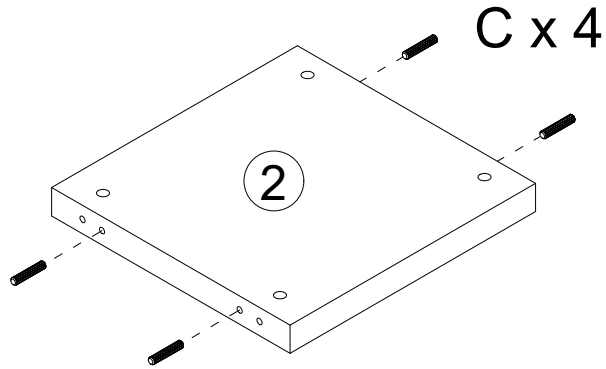


∅ 7 x 35mm

C x 4

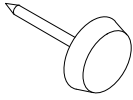


∅ 8 x 40mm



08

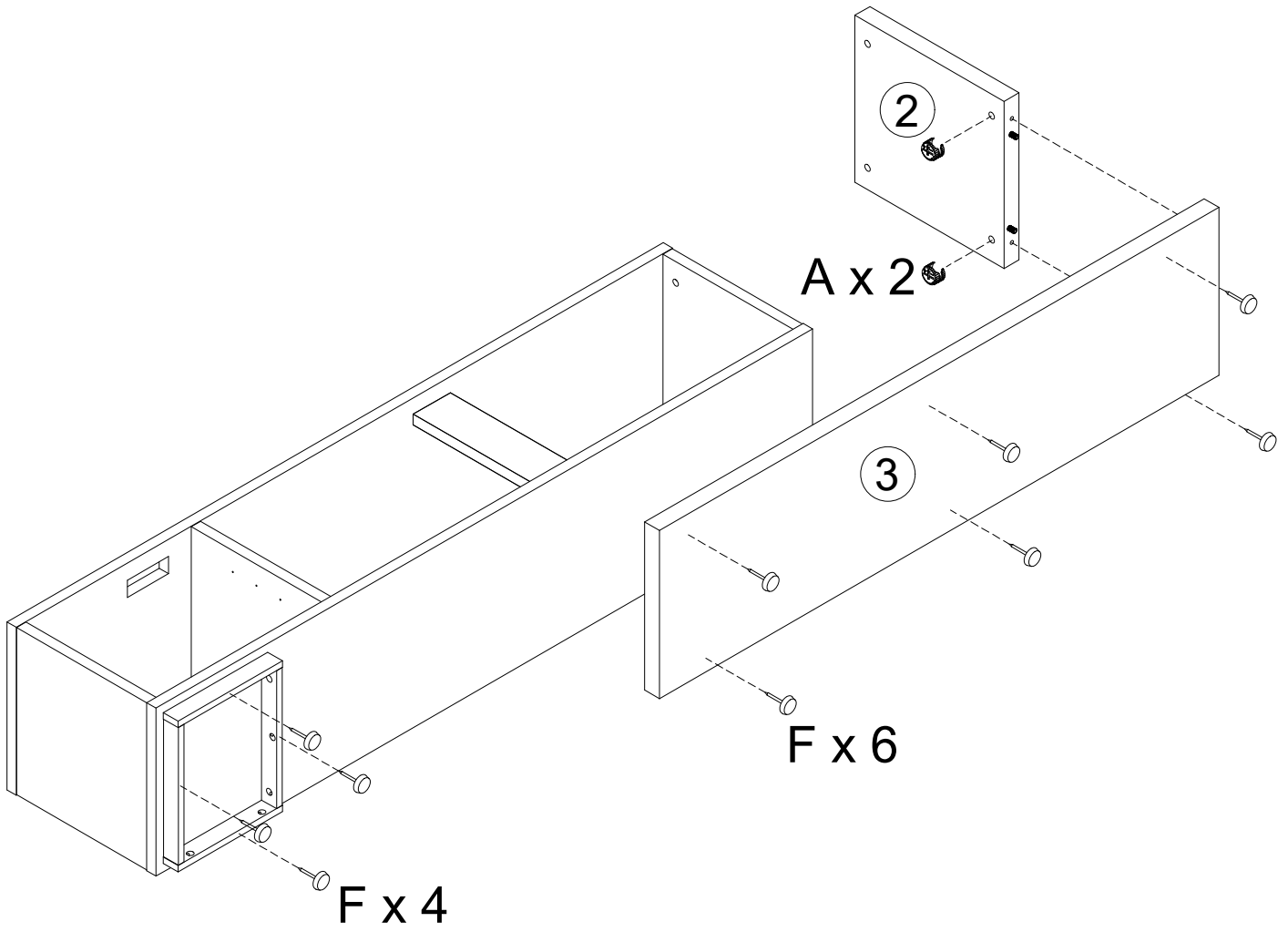
F x 10

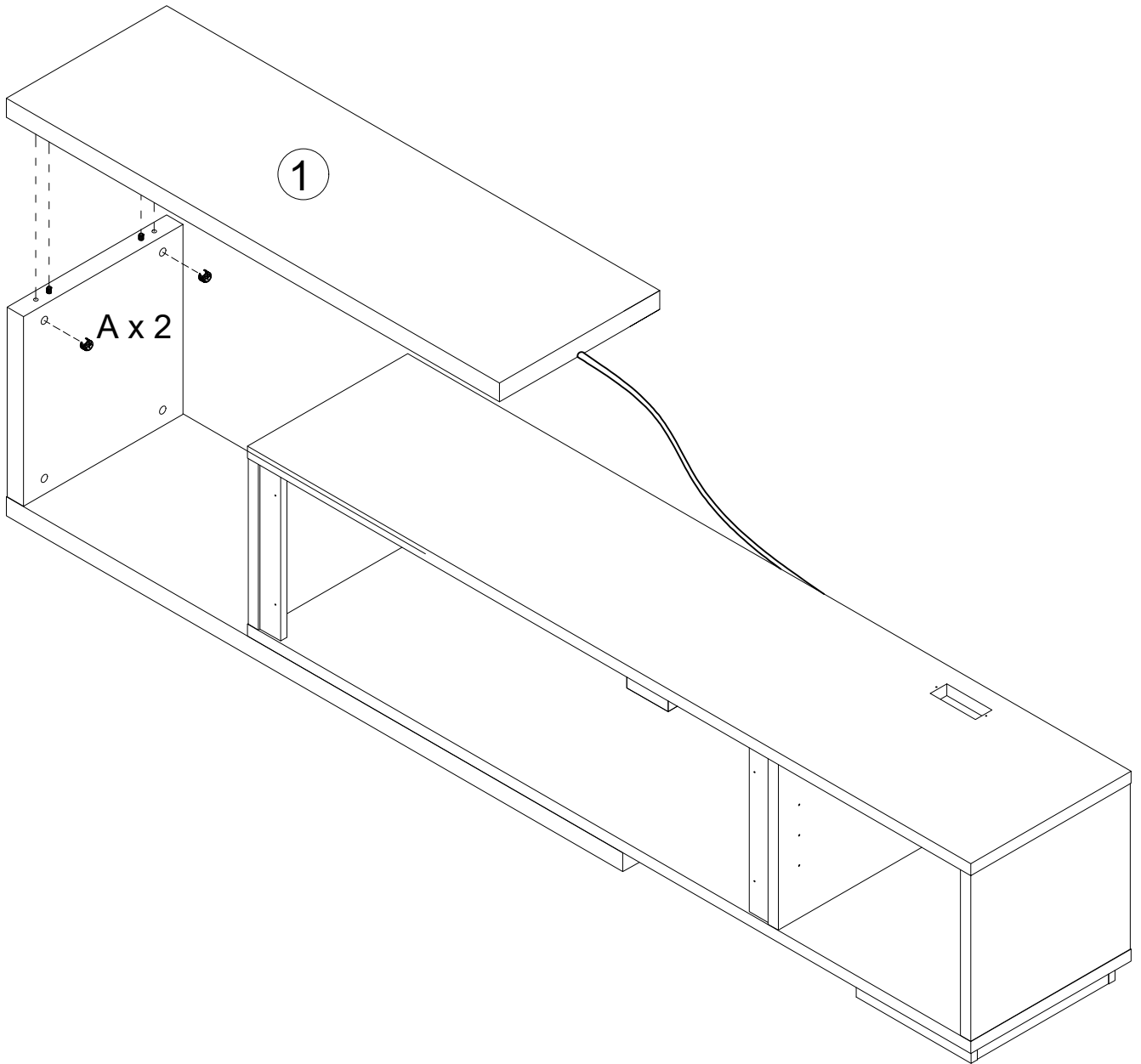
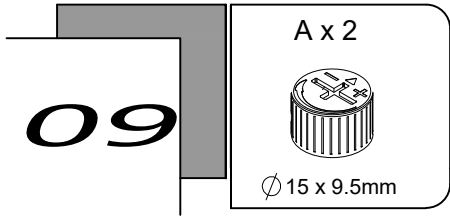


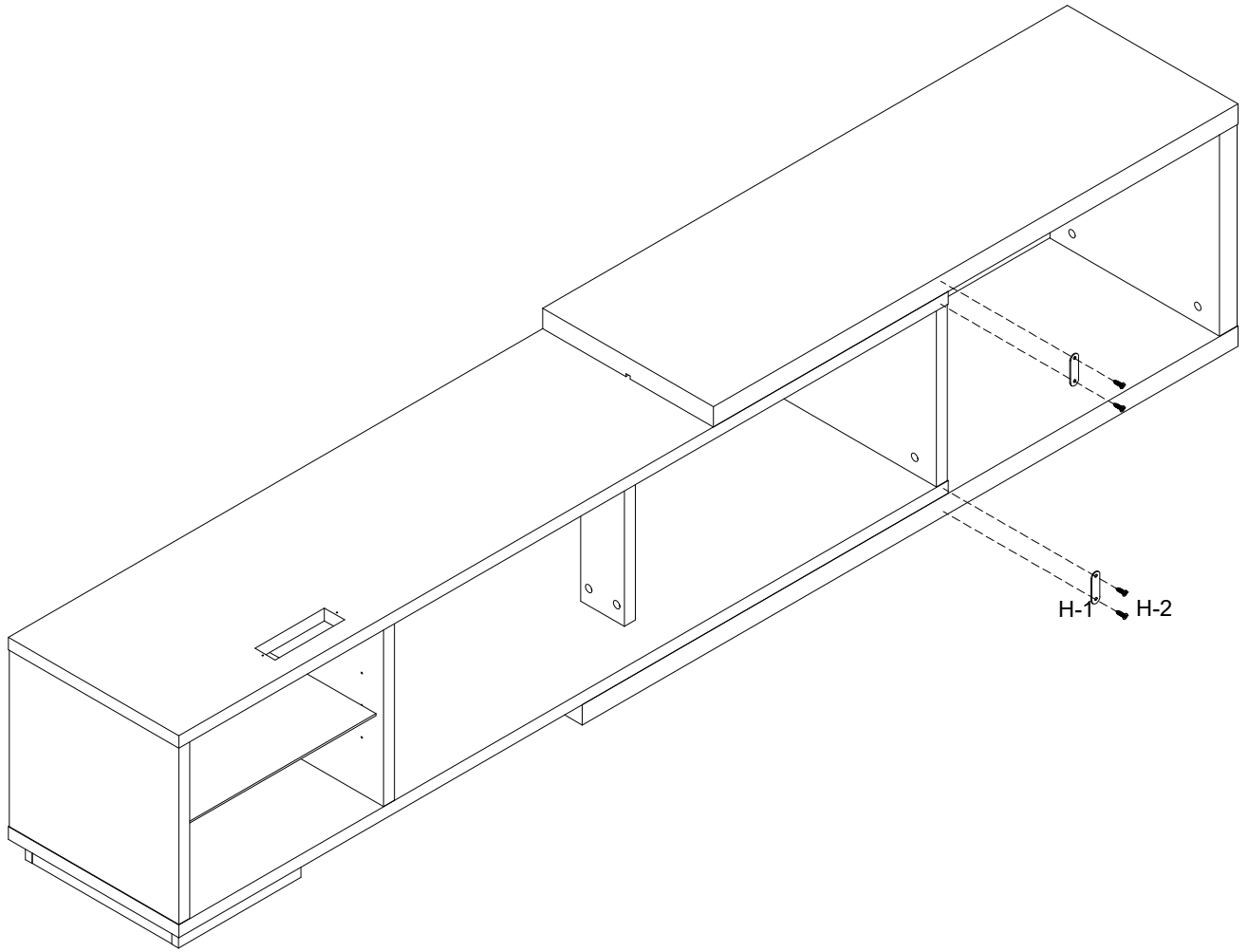
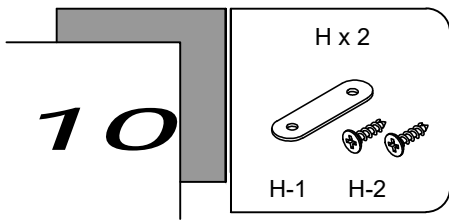
A x 2

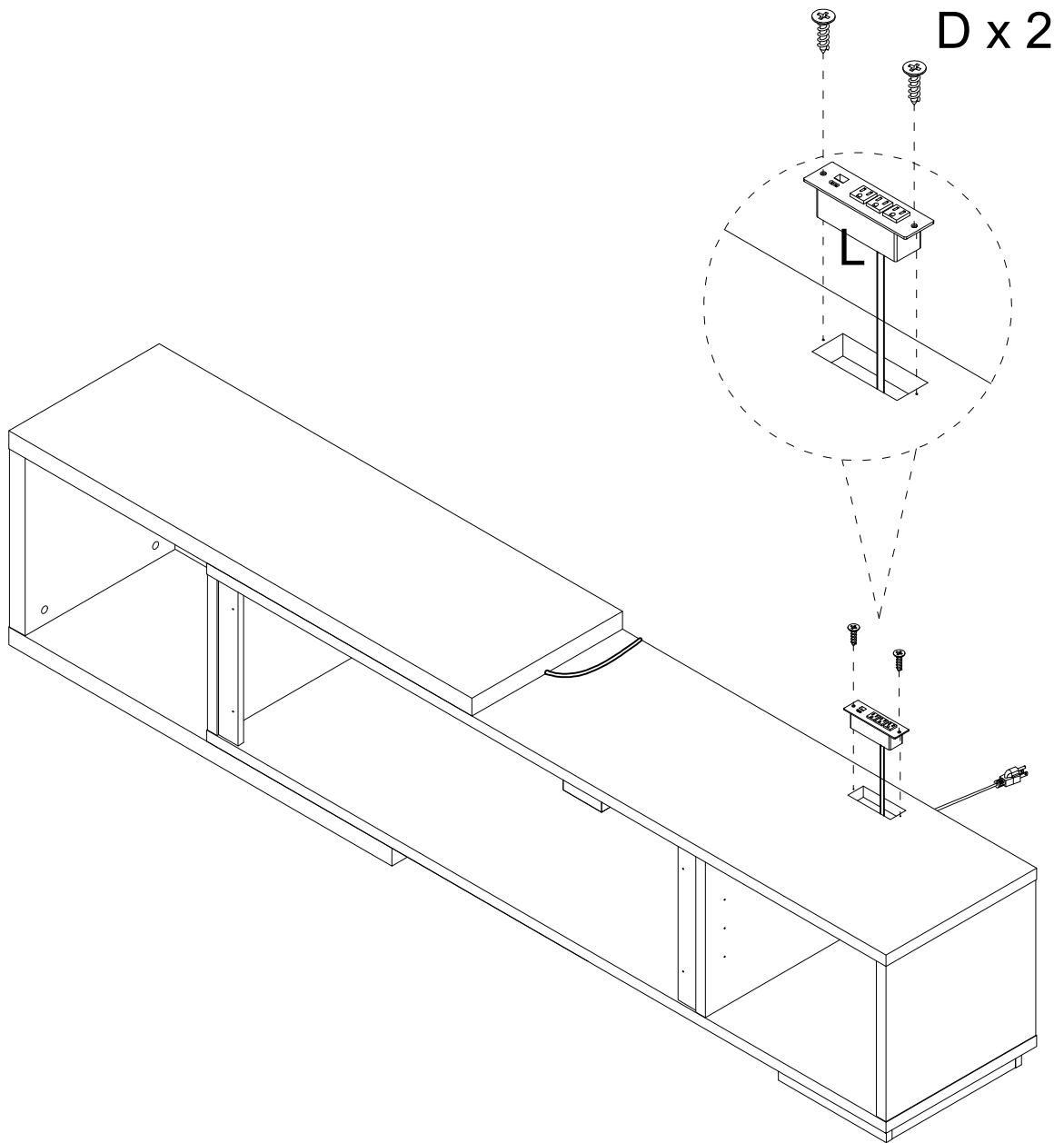
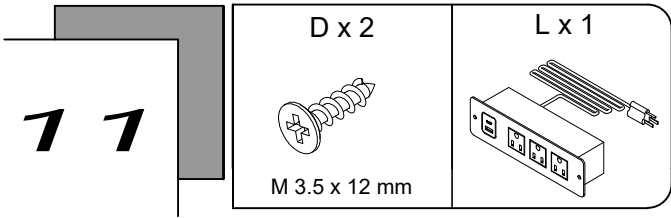


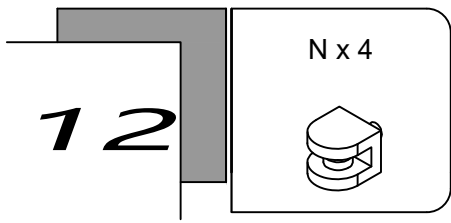
∅ 15 x 9.5mm



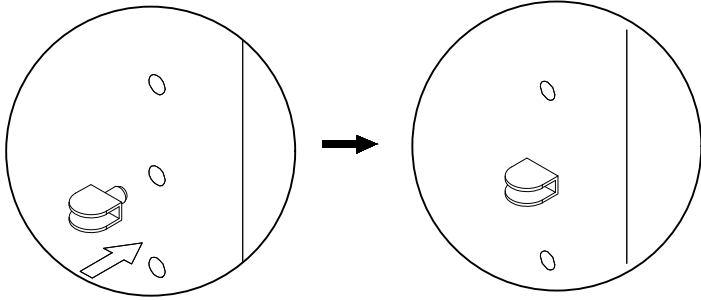




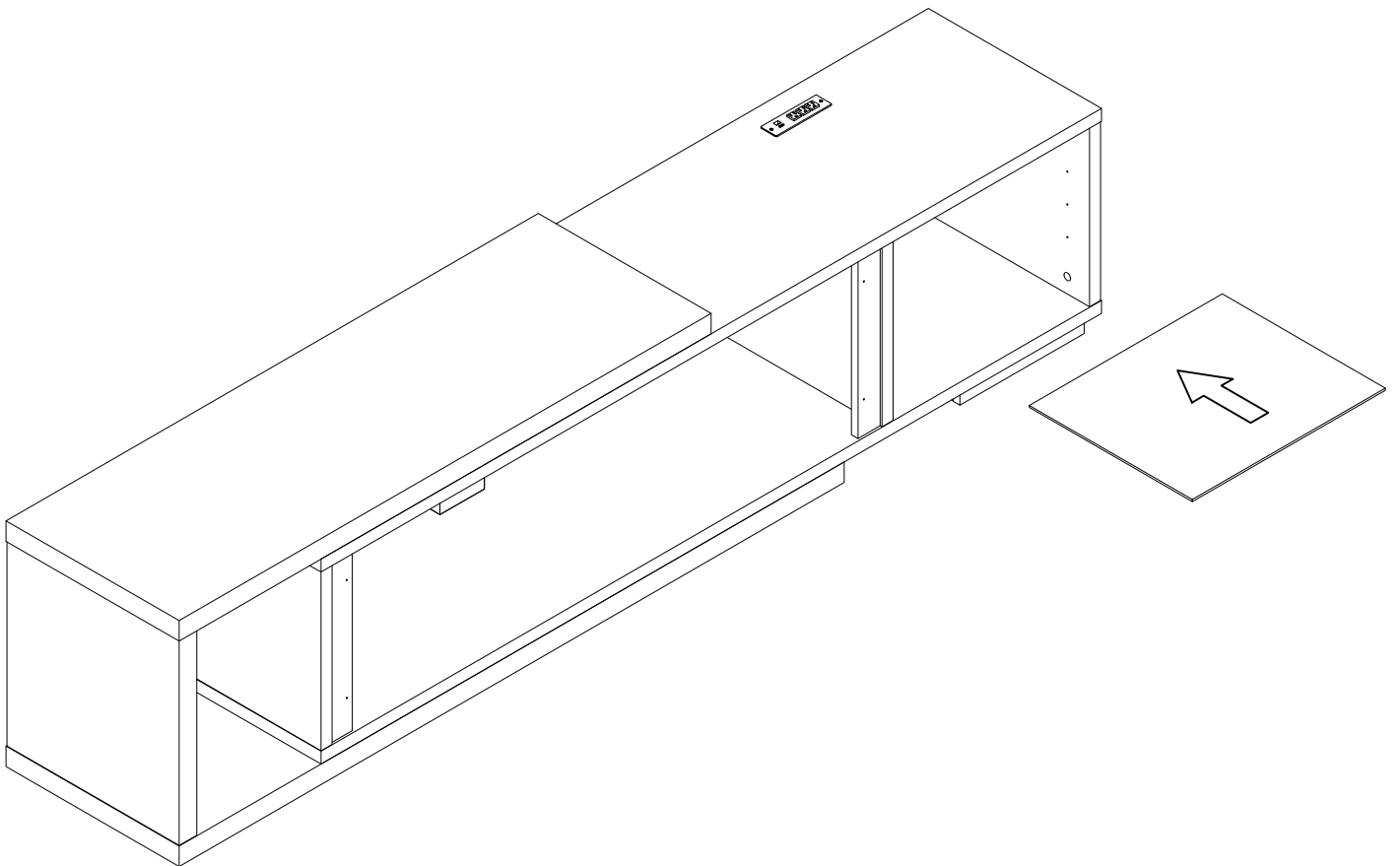
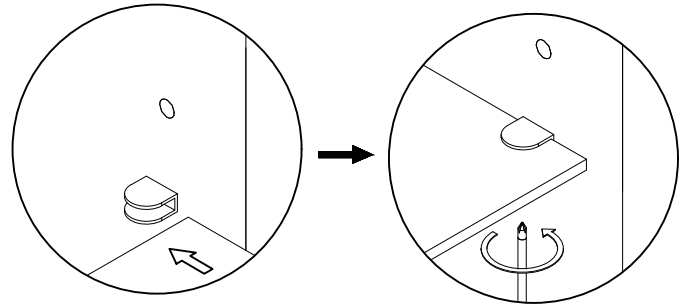




Step1
Select the desired height
and put it in

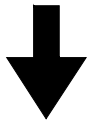
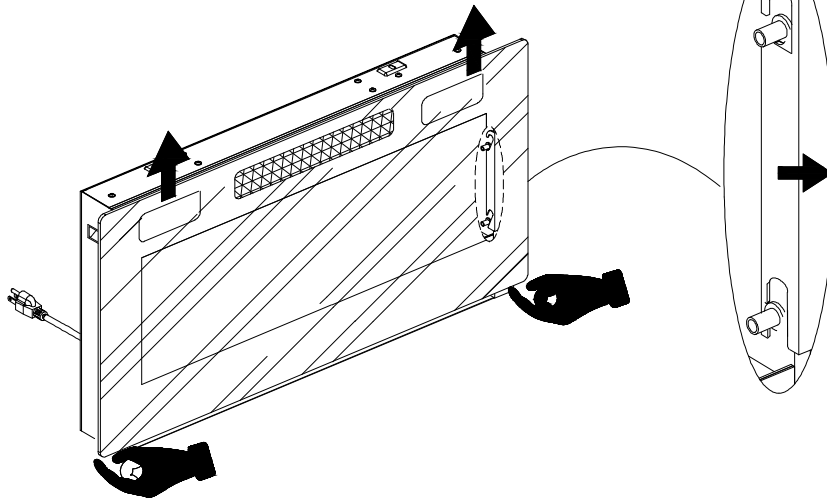
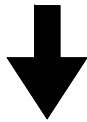
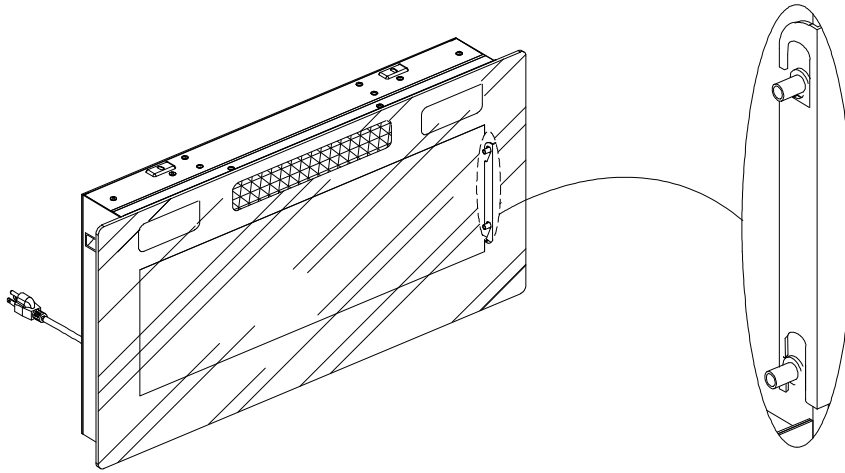


Step2
Aim the board gaps down

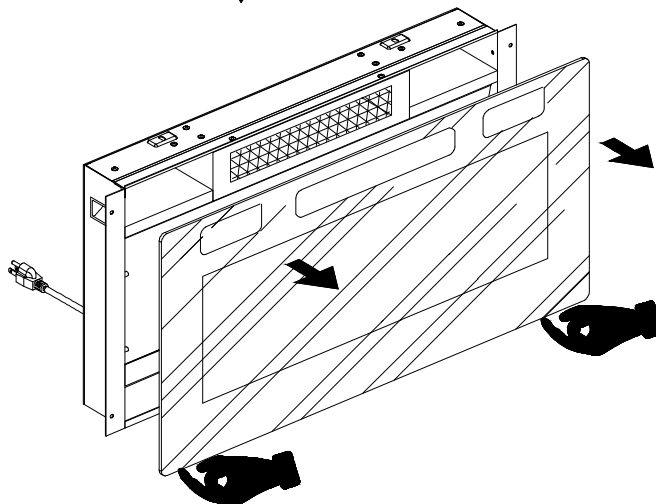


13

Step 1



Step 2

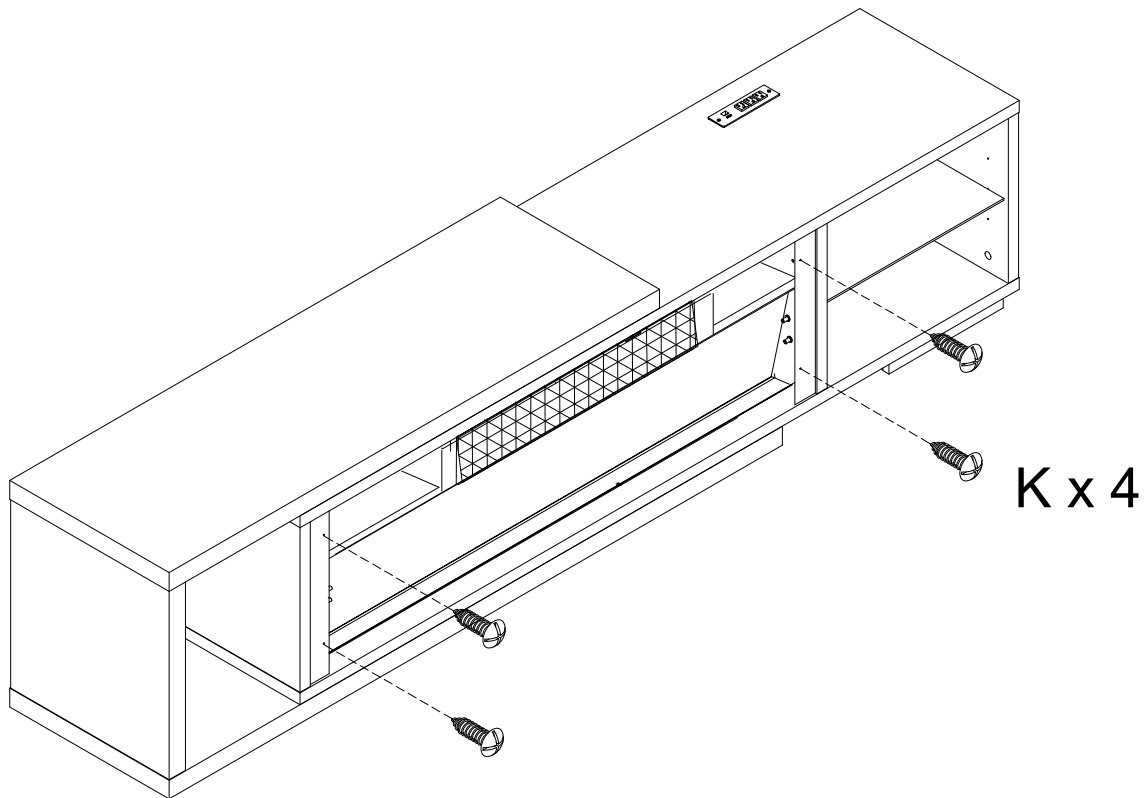
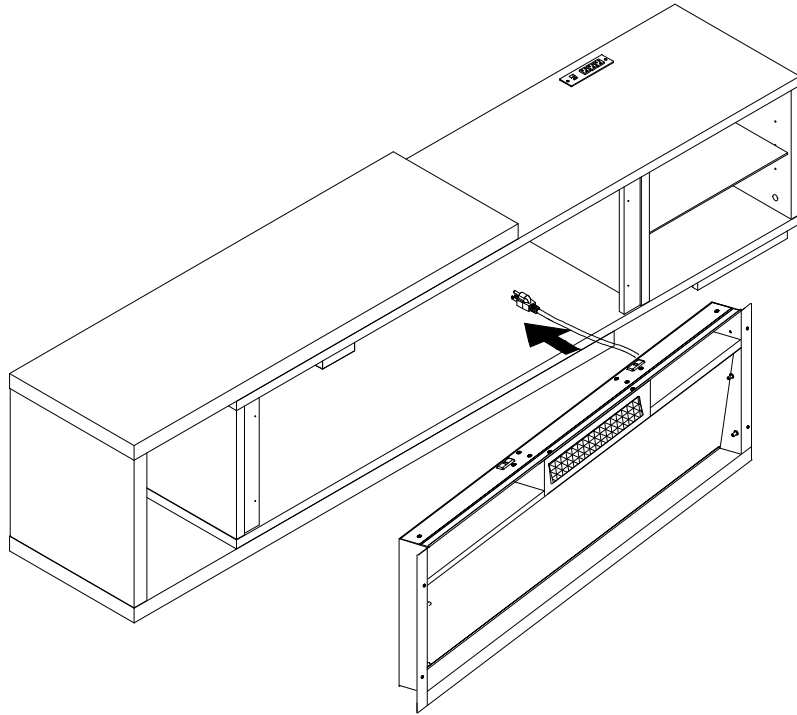


14

K x 4

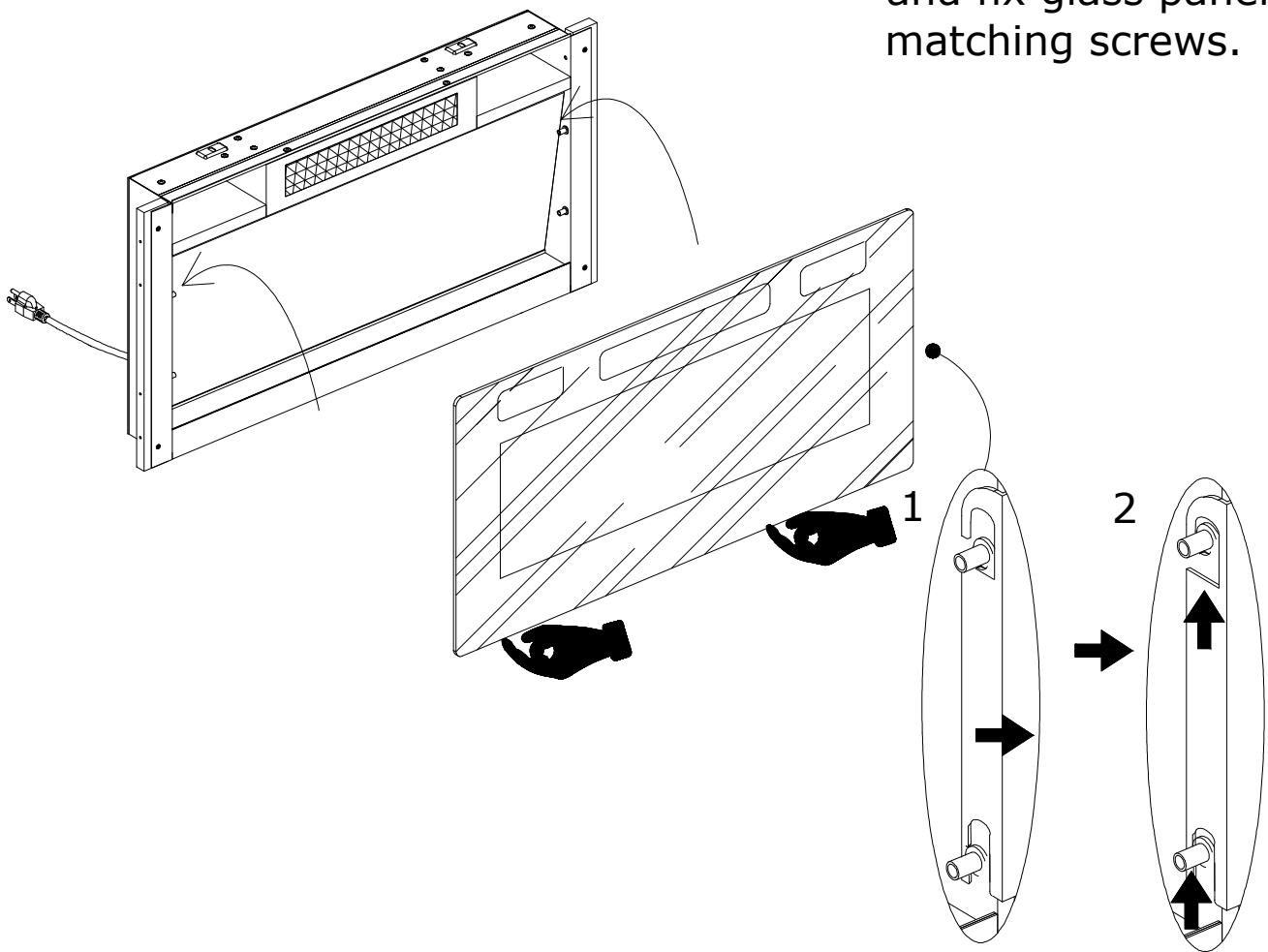


Step 3



Step 4

Connect the power cord and fix glass panel using matching screws.



For any issues, please contact: aftersale-wzjj@outlook.com