

# ASSEMBLY INSTRUCTION

## TWIN BED

Page : 1 OF 1

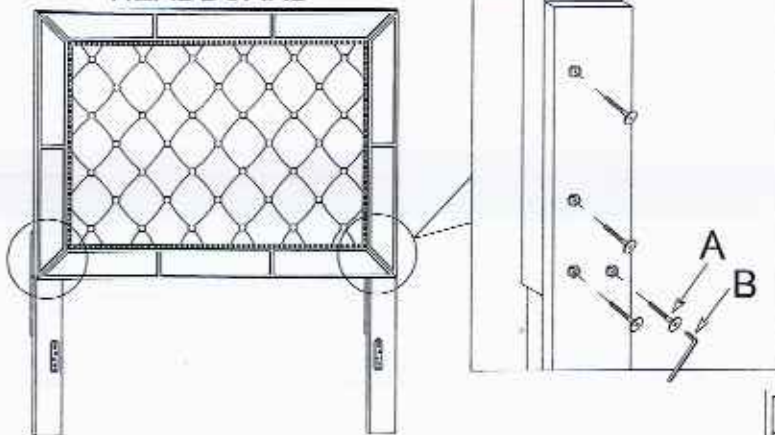
Before you begin, please read Assembly Instruction carefully and recognized the part and hardware. Then follow them step by step.

### ASSEMBLY TIPS:

Remove hardware from box and sort by size.

Please check to see that all hardware and part are present prior start of assembly.

### HEADBOARD



### TIPS:

Attach & tighten the Headboard Leg (R&L) to the Headboard. Use JCBC Bolt M6 x 35mm & Allen Key to fix.

NO	HARDWARE DESCRIPTION	QTY
A.	Bolt M6 x 35mm 	8PCS
B.	Allen Key 	1PC

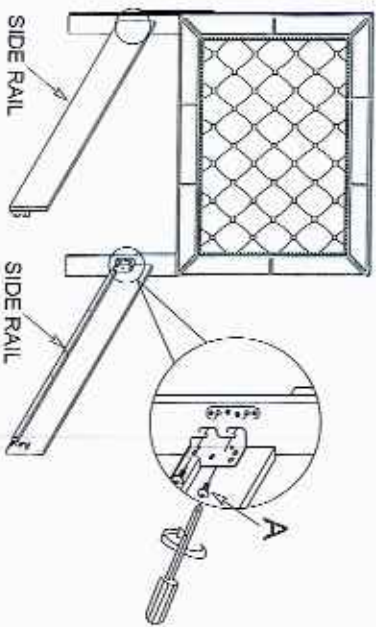
Screw Driver Not Provide !!!

# ASSEMBLY INSTRUCTION

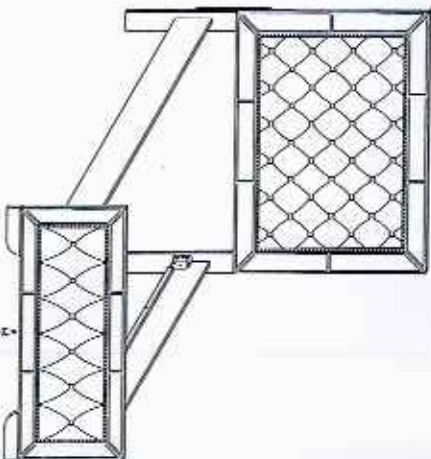
## TWIN BED 39" X 75"

Before you begin, please read Assembly Instruction carefully and recognized the part and hardware. Then follow them step by step.

### STEP 1.



### STEP 2.

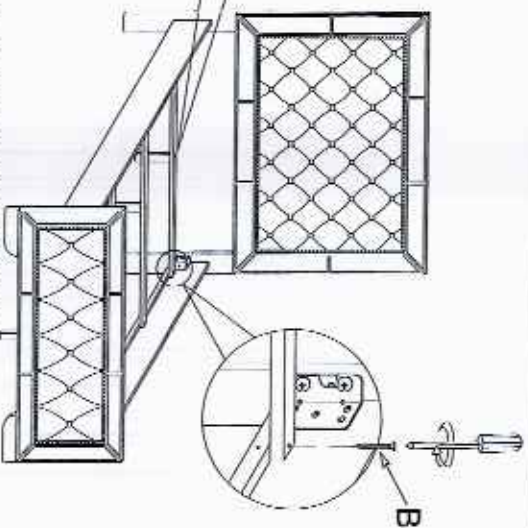
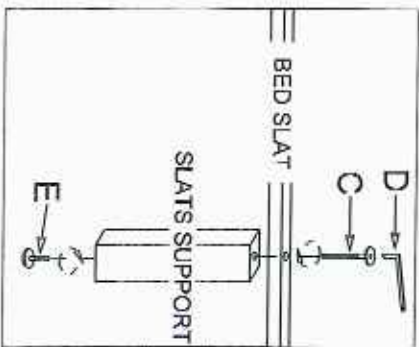


TIPS: REPEAT STEP 1 TO JOINT FOOT BOARD.

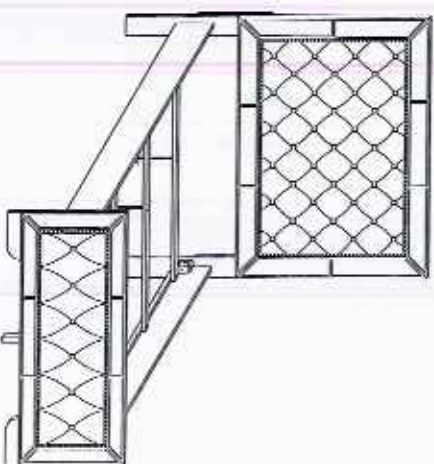
NO	HARDWARE DESCRIPTION	QTY
A.	Screw M8 	8PCS
B.	Chipboard Screw M4 x 32mm 	8PCS
C.	JCBC Bolt M6 x 35mm 	4PCS
D.	Allen Key 	1PC
E.	Adjuster Screw M6 x 24mm 	4PCS

SREW DRIVER NOT PROVIDE !!!

### STEP 3.



### COMPLETE SET



\* TOTAL SLAT : 4PCS (WITH JCBC HOLE) + 4PCS (SLATS SUPPORT)