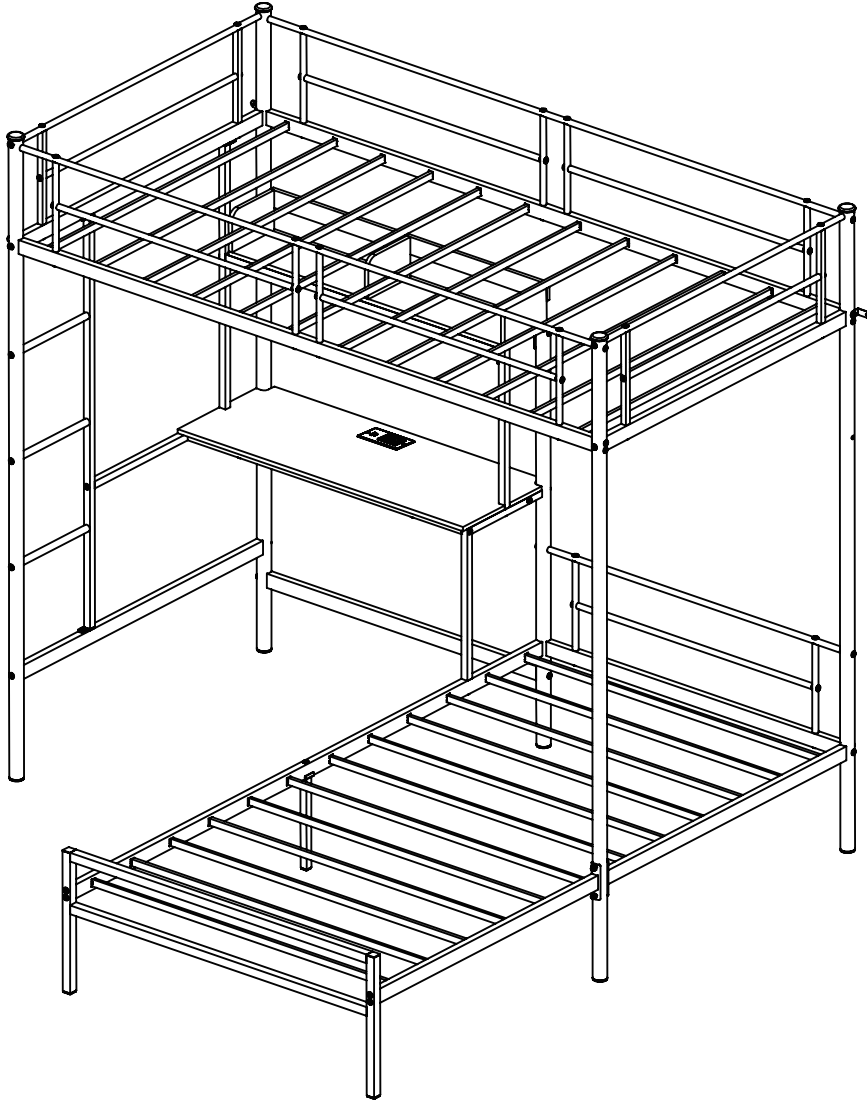
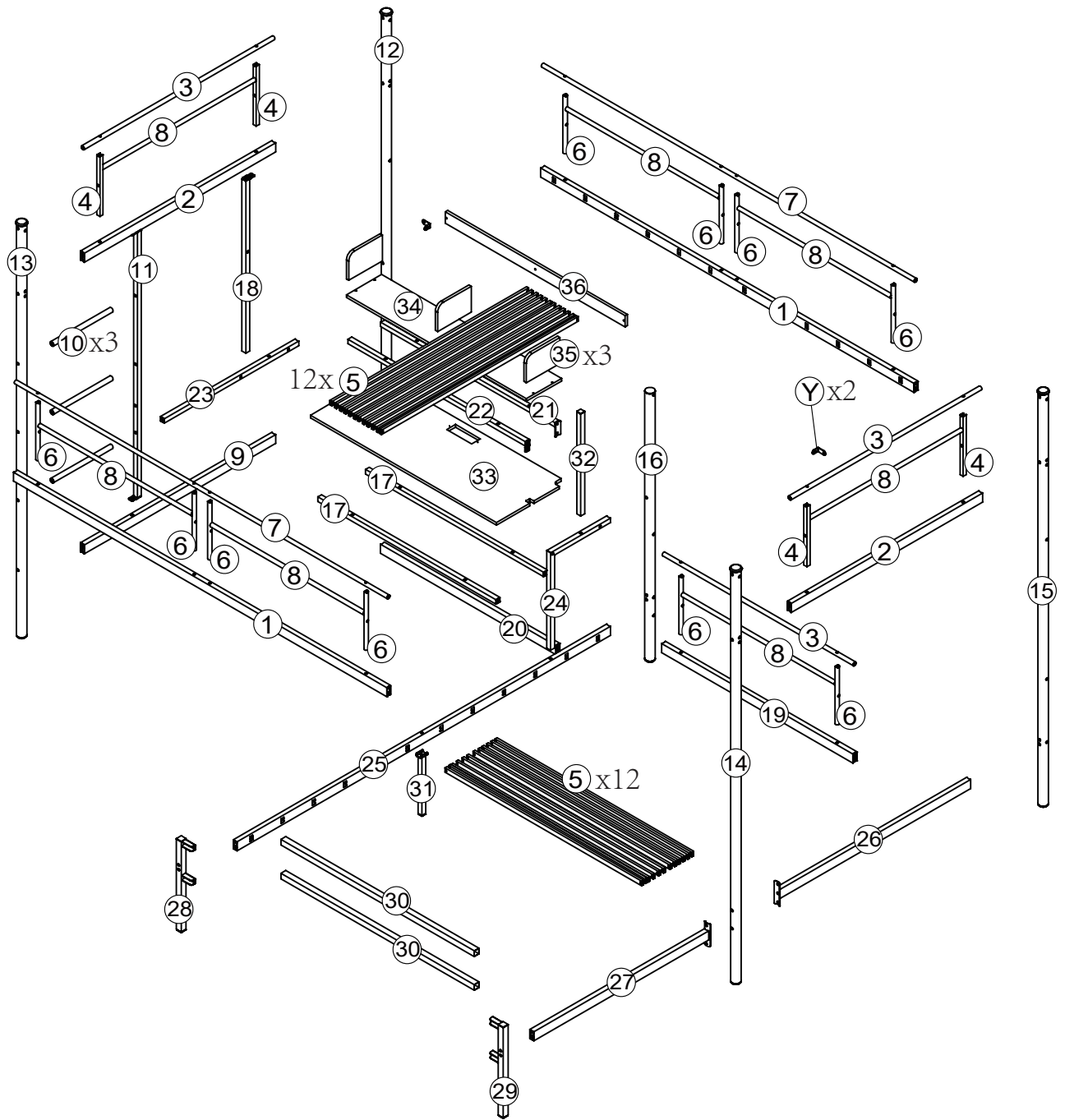


BED FRAME



Thank you for choosing our products, please assemble and use it following the instructions.

Assembly Instruction

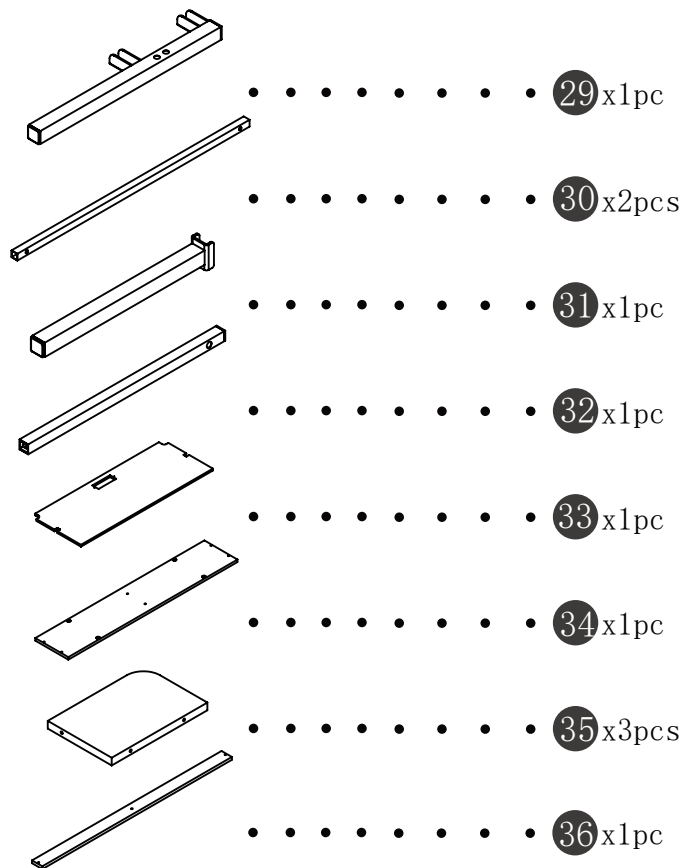
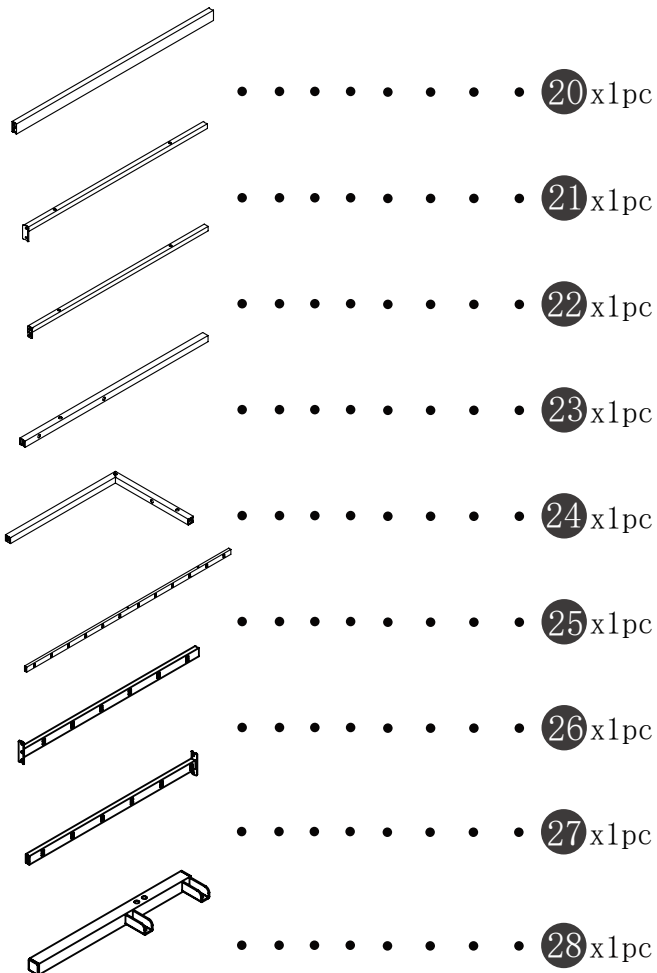
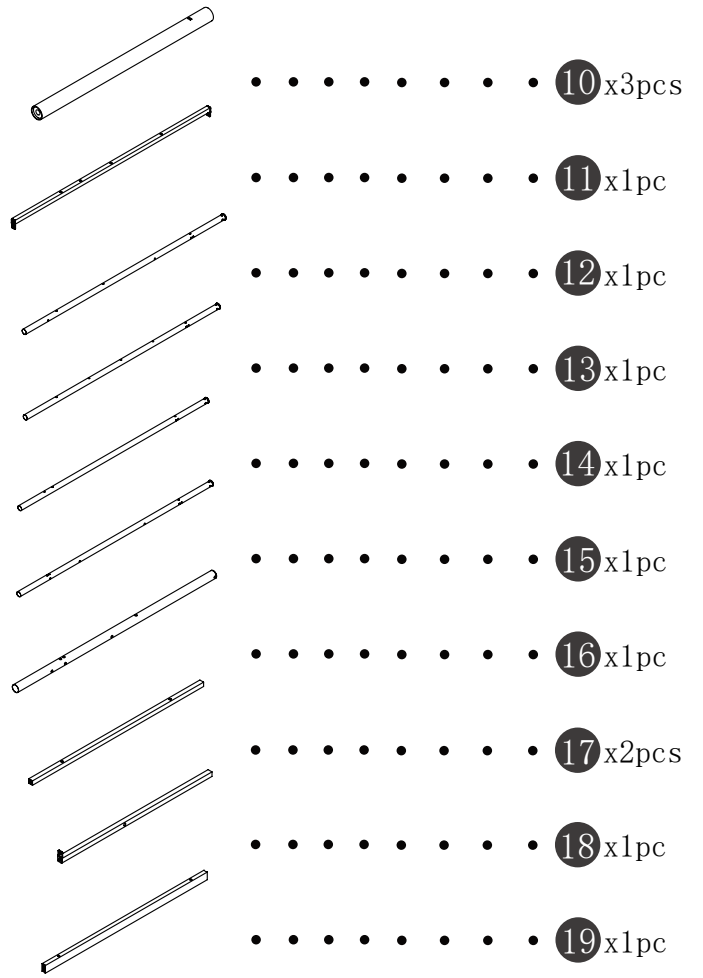
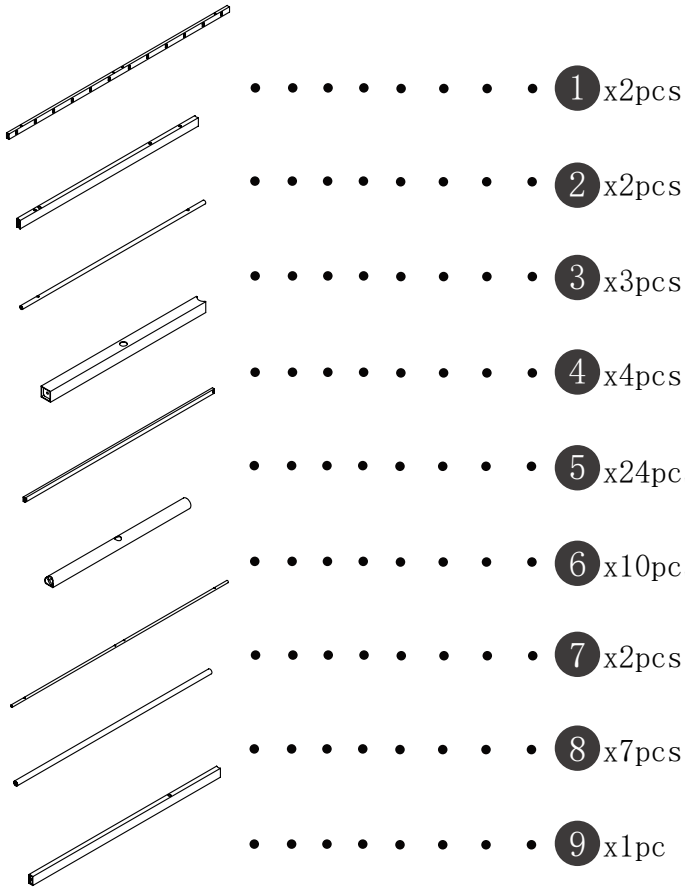


Important Note

HARDWARE NOTE :

1. Two or more people are required for assembly
2. Do not screw on the bolts too tight unless the installation is done. Make sure all bolts are tightly screwed before you use it.

Components



M8x16 • • • • • • • • • **A** x11pcs

M8x25 • • • • • • • • • **B** x24pcs

M8x30 white zinc • • • • • • • • • **C** x8pcs

M8x35 • • • • • • • • • **D** x19pcs

M8x55 • • • • • • • • • **E** x54pcs

M5x40 • • • • • • • • • **F** x9pcs

ST4x14 • • • • • • • • • **G** x2pcs

M8 • • • • • • • • • **H** x2pcs

• • • • • • • • • **I** x48pcs

M8 • • • • • • • • • **J** x1pc

M5 • • • • • • • • • **K** x1pc

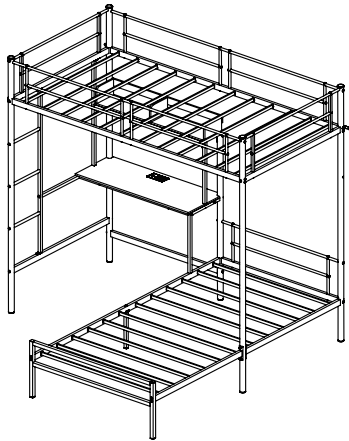
• • • • • • • • • **L** x1pc

• • • • • • • • • **U** x1pc

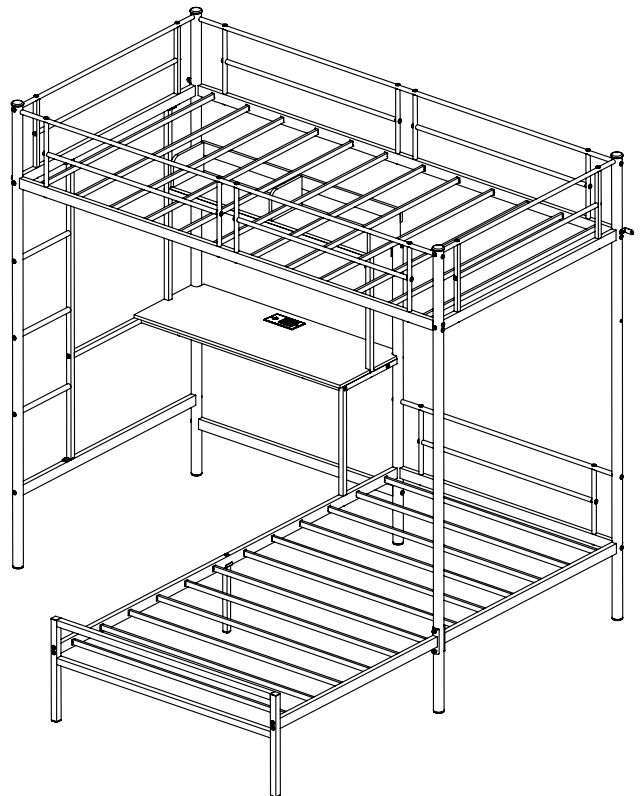
• • • • • • • • • **Y** x2pcs

• • • • • • • • • **Z** x2pcs

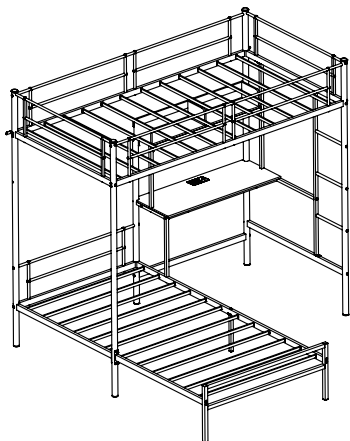
TYPE 1



TYPE 1

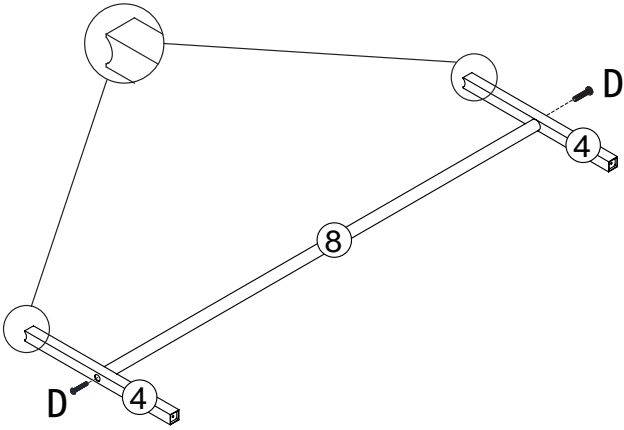


TYPE 2



1

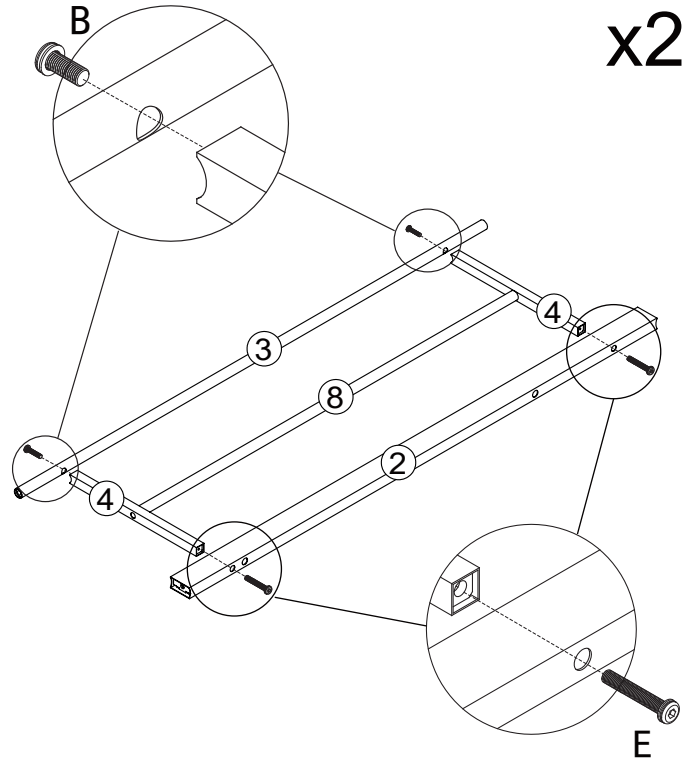
x2




D		4pcs
---	------------------------------------------------------------------------------------	------

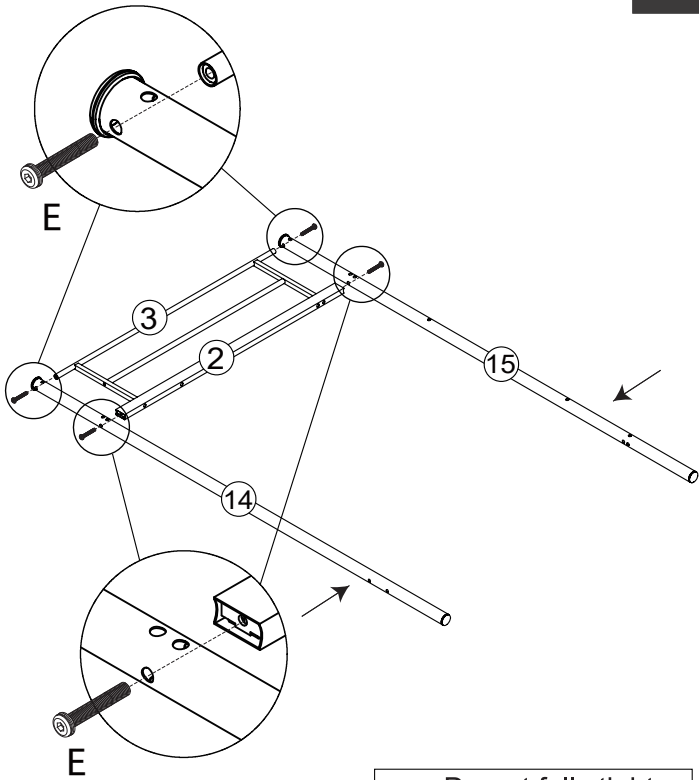
2


x2



B		4pcs
E		4pcs

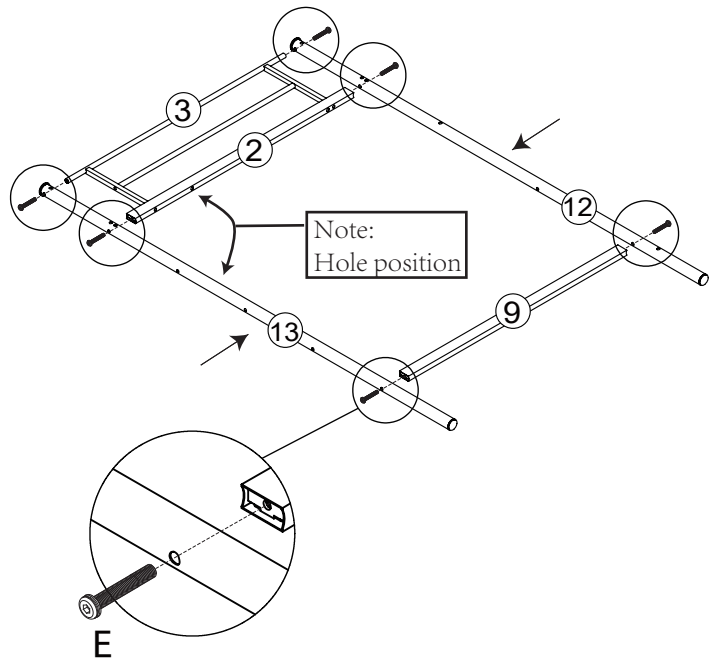
3




 Do not fully tighten the screws yet.

E		4pcs
---	-------------------------------------------------------------------------------------	------

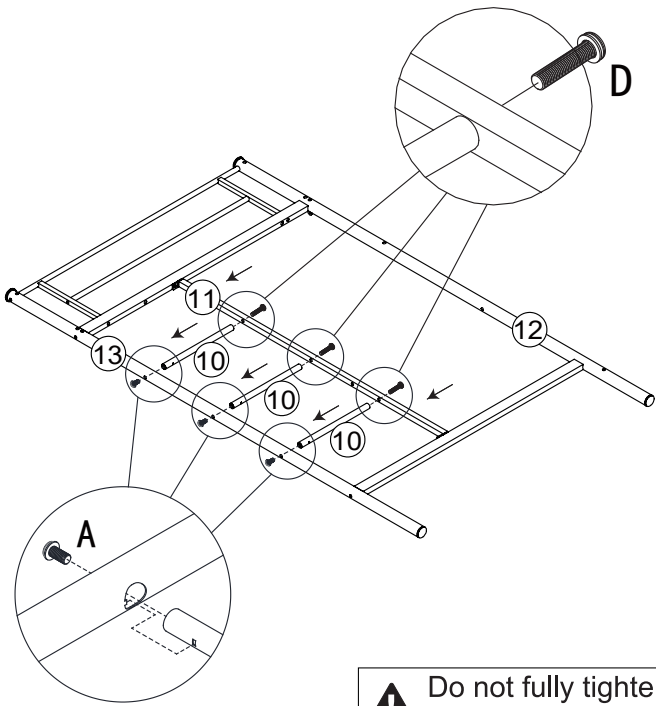
4





 Do not fully tighten the screws yet.

E		6pcs
---	-------------------------------------------------------------------------------------	------

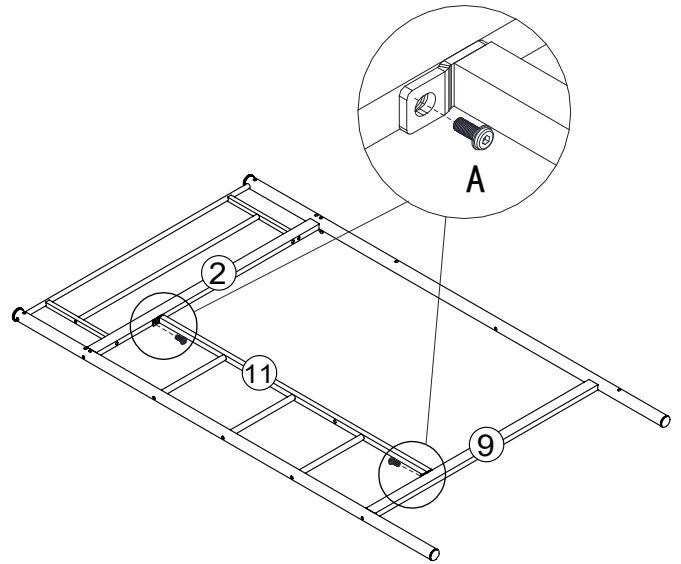
5



! Do not fully tighten the screws yet.

A	 M8x16	3pcs
D	 M8x35	3pcs

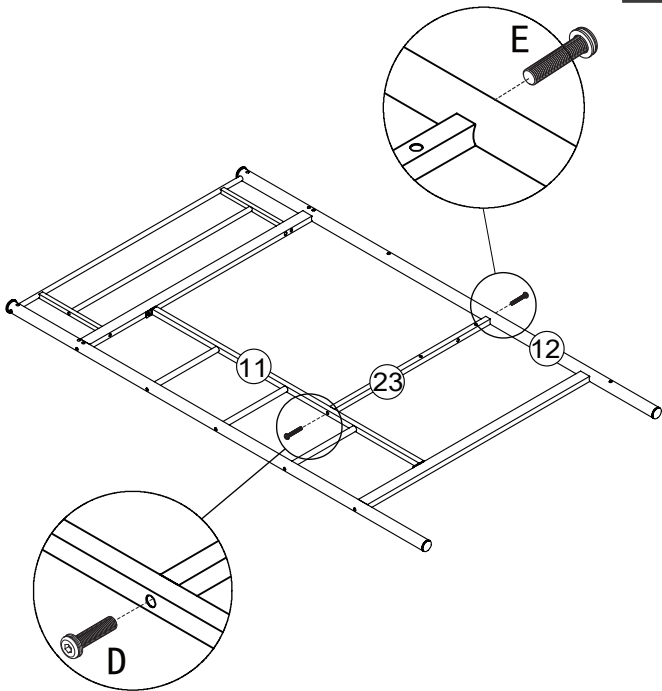
6





! Do not fully tighten the screws yet.

A	 M8x16	2pcs
---	-------------------------------------------------------------------------------------------	------

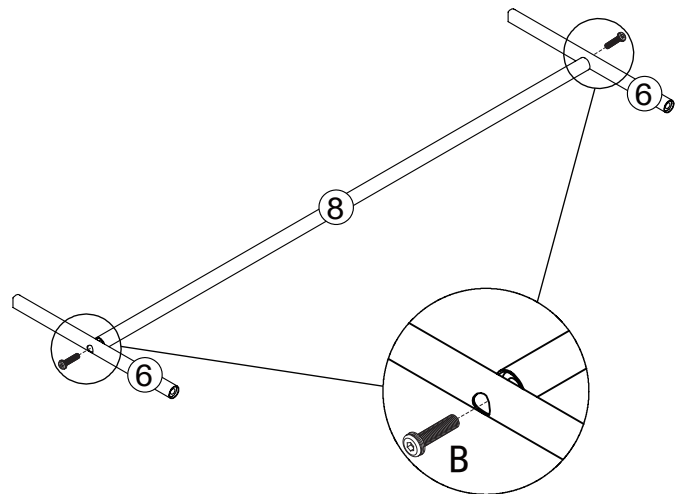
7



D	 M8x35	1pc
E	 M8x55	1pc

8

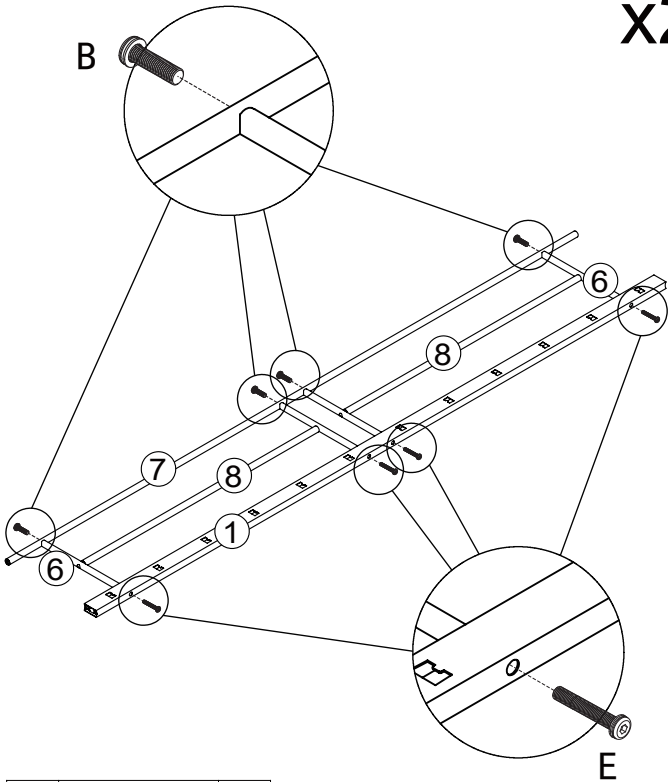
x5



B	 M8x25	10pcs
---	-------------------------------------------------------------------------------------------	-------

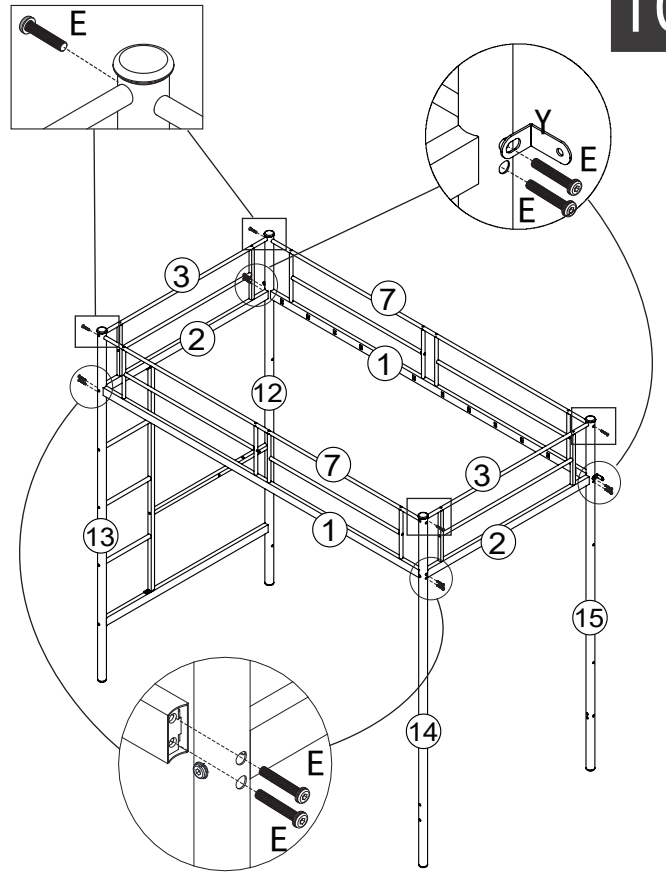
9

x2



B		8pcs
E		8pcs

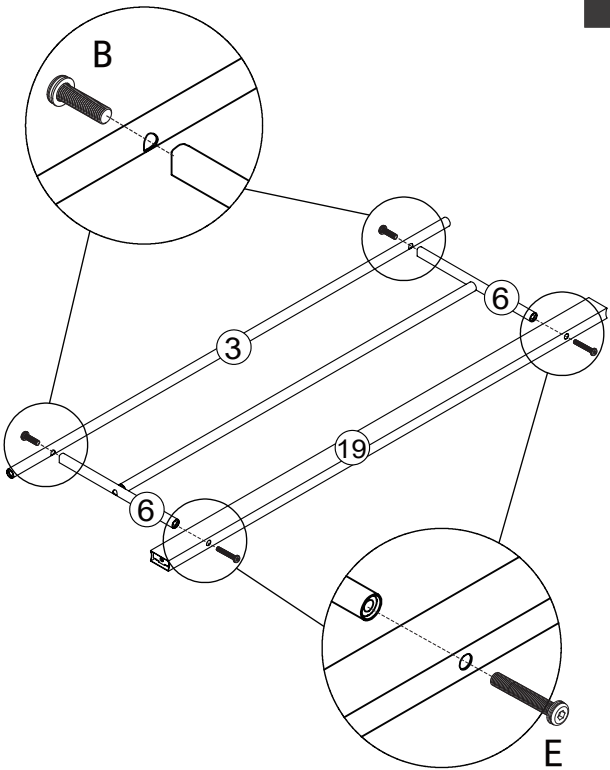
10



E		12pcs
---	--	-------

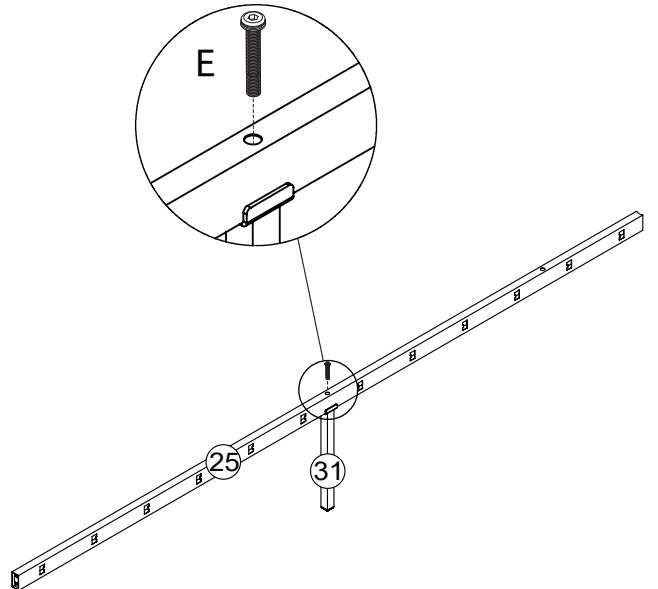
Fully tighten all the screws.

11



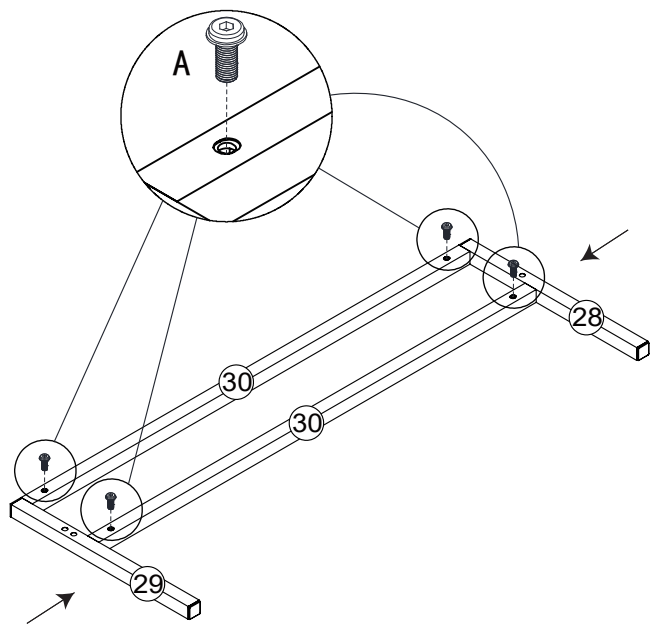
B		2pcs
E		2pcs

12



E		1pc
---	--	-----

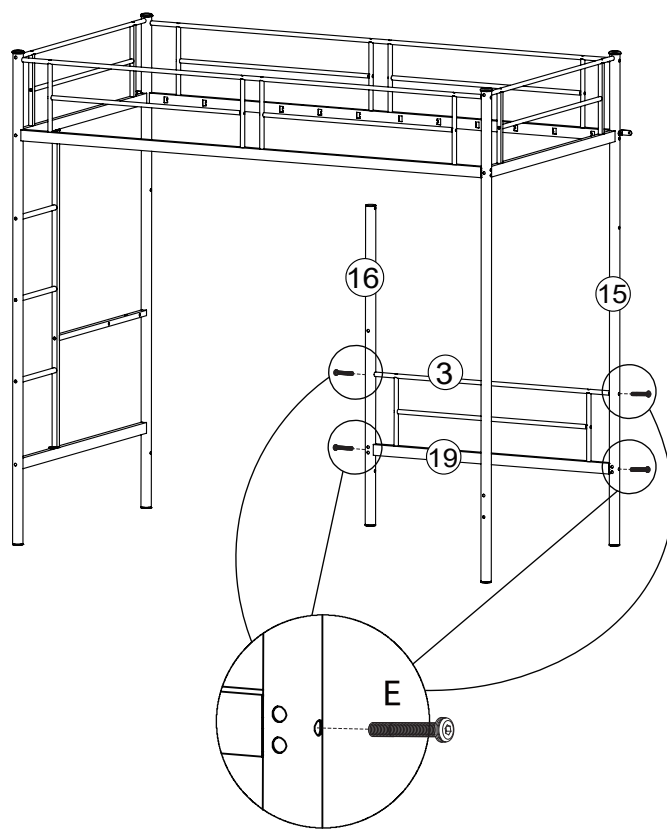
13



A		4pcs
---	-------------------------------------------------------------------------------------	------


M8x16

14

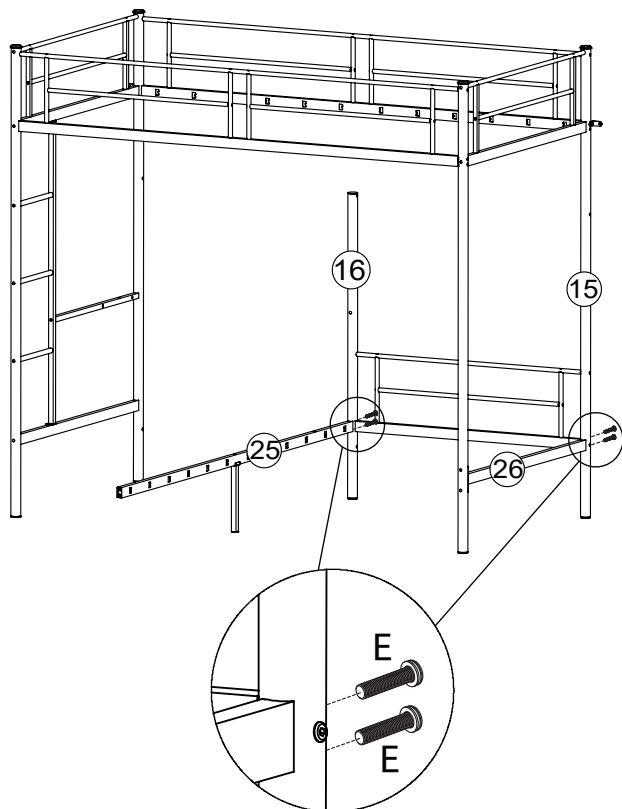


E		4pcs
---	--------------------------------------------------------------------------------------	------

M8x55


 Do not fully tighten the screws yet.

15

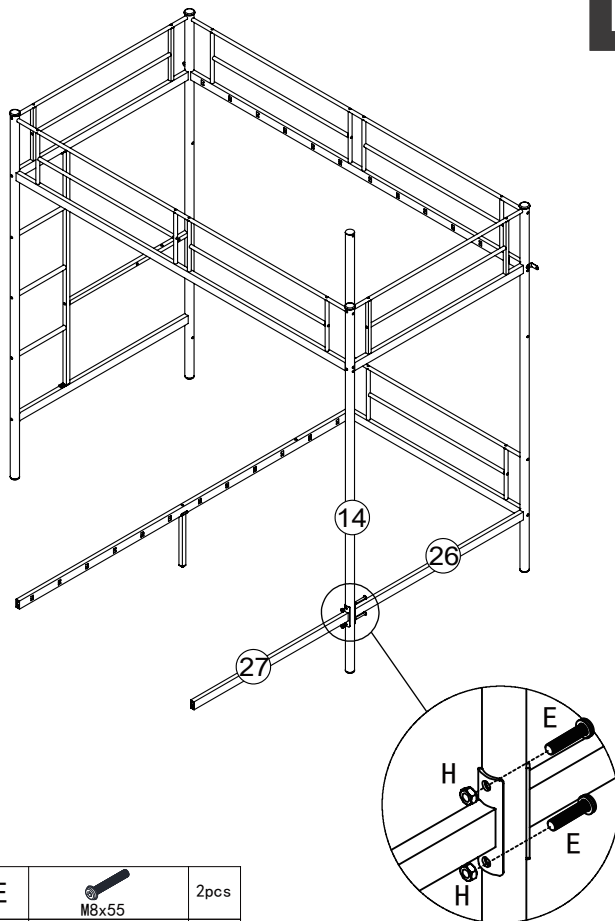




E		4pcs
---	-------------------------------------------------------------------------------------	------

M8x55

 Do not fully tighten the screws yet.

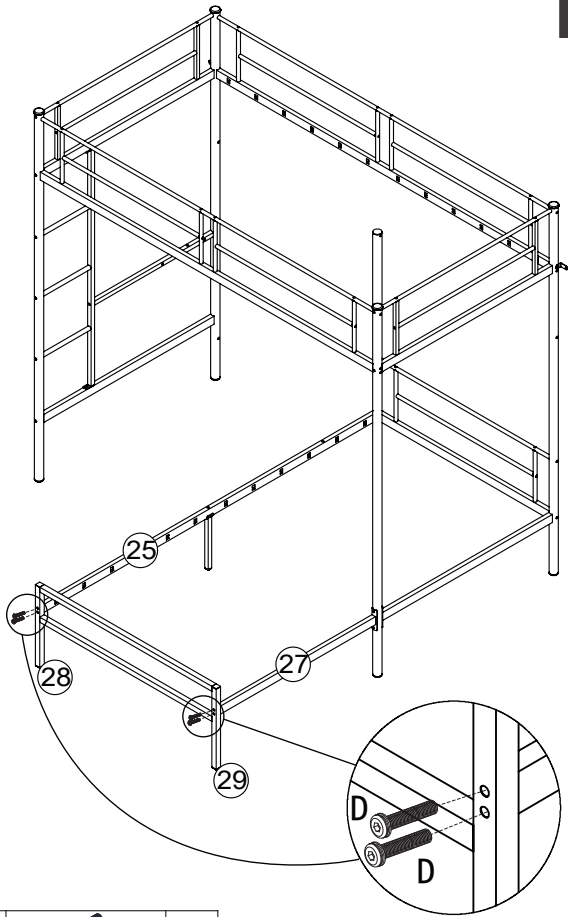
16



E		2pcs
H		2pcs

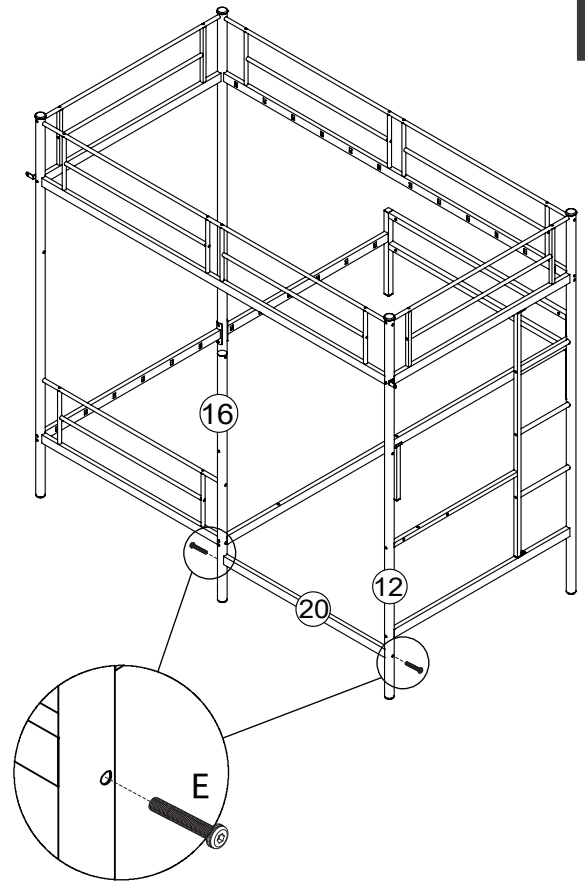
M8x55

17




D		4pcs
---	------------------------------------------------------------------------------------	------

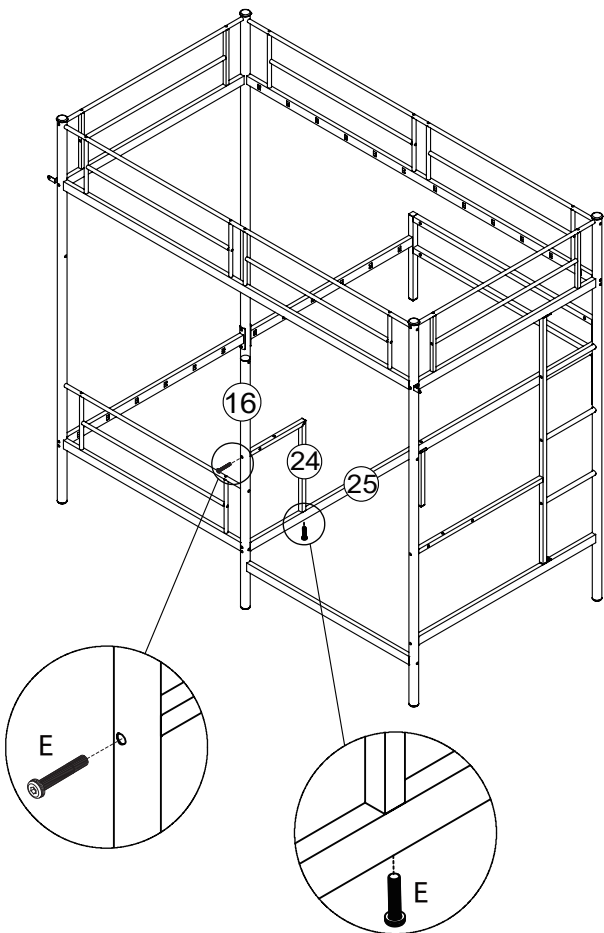
18



E		2pcs
---	------------------------------------------------------------------------------------	------

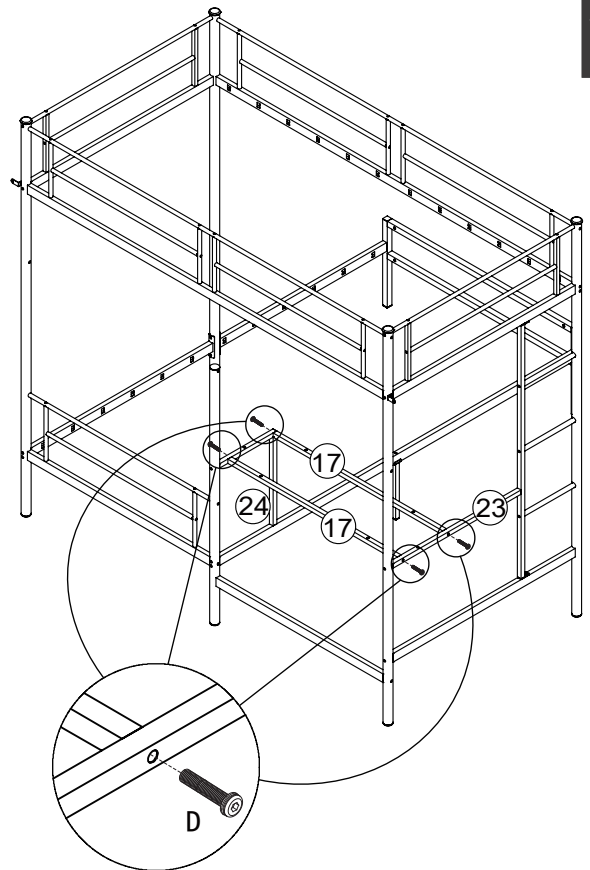
 Do not fully tighten the screws yet.

19




E		2pcs
---	-------------------------------------------------------------------------------------	------

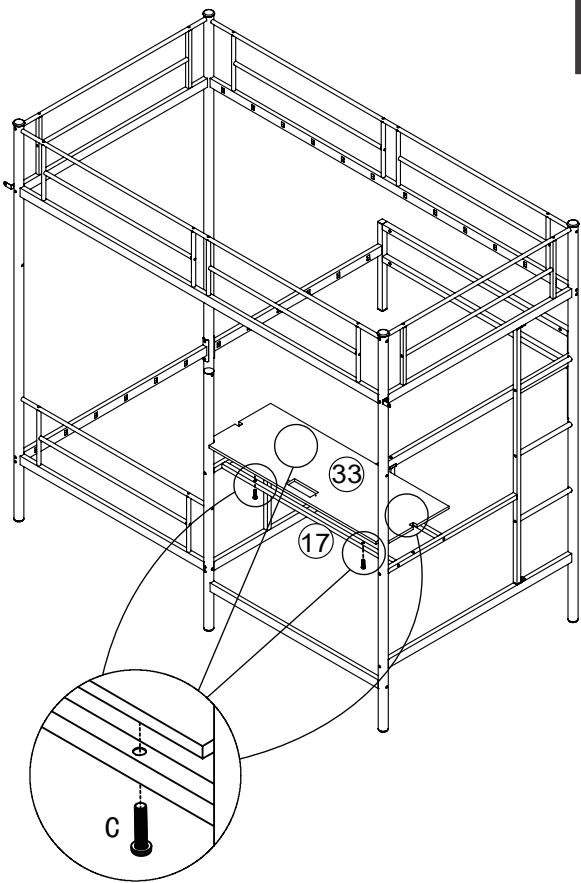
20



D		4pcs
---	-------------------------------------------------------------------------------------	------

 Do not fully tighten the screws yet.

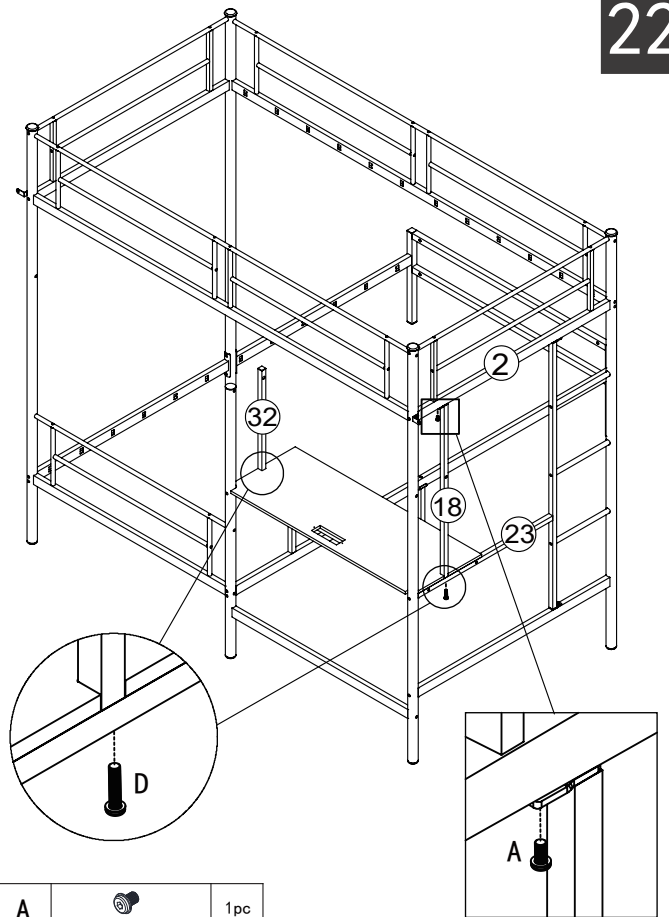
21





C		4pcs
---	------------------------------------------------------------------------------------	------

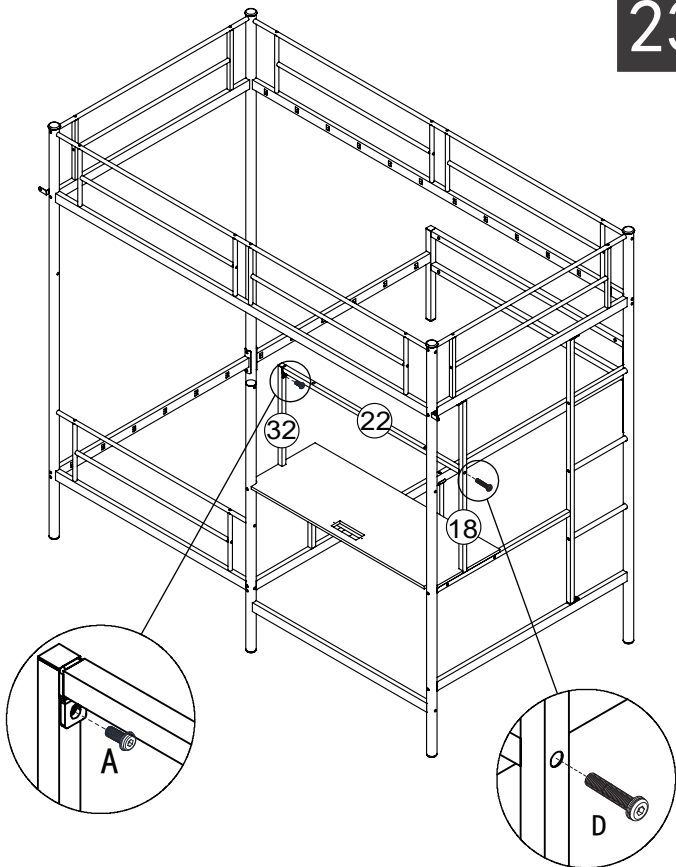
! Do not fully tighten the screws yet.



22



A		1pc
D		2pcs

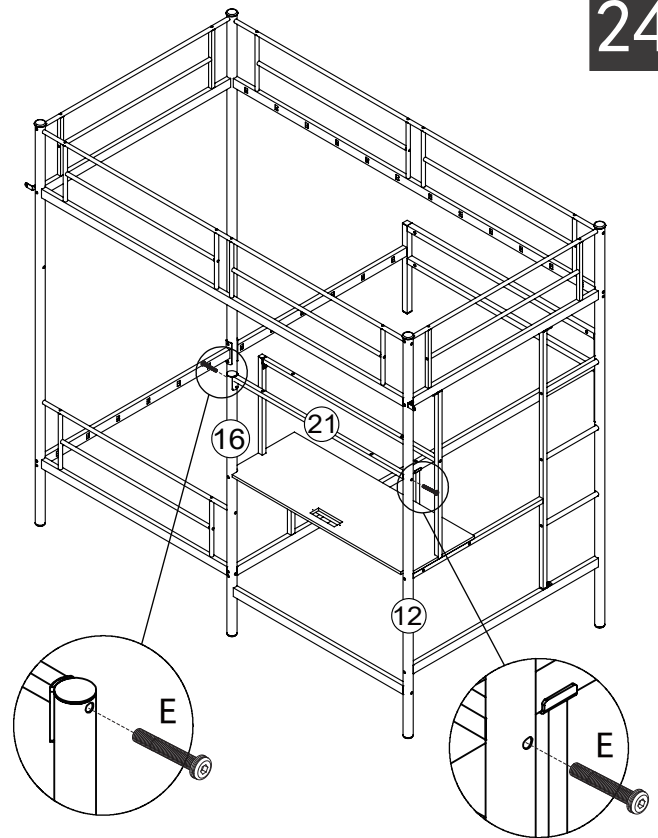
23



A		1pc
D		1pc

! Do not fully tighten the screws yet.

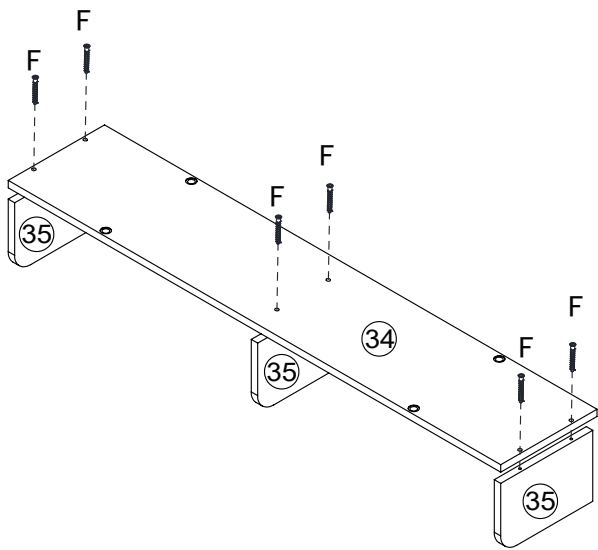
24



E		2pcs
---	--------------------------------------------------------------------------------------	------

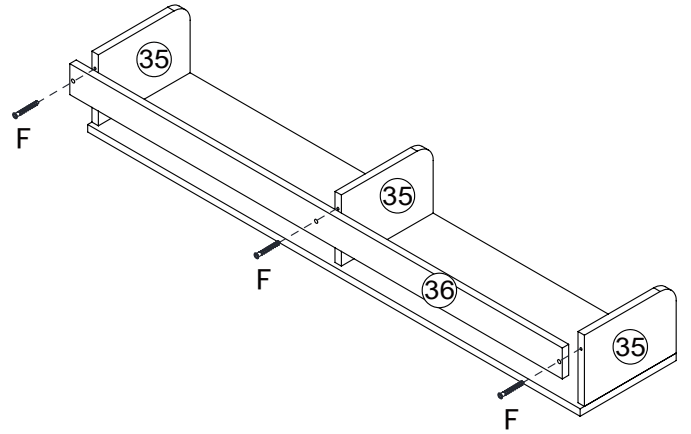
! Do not fully tighten the screws yet.

25



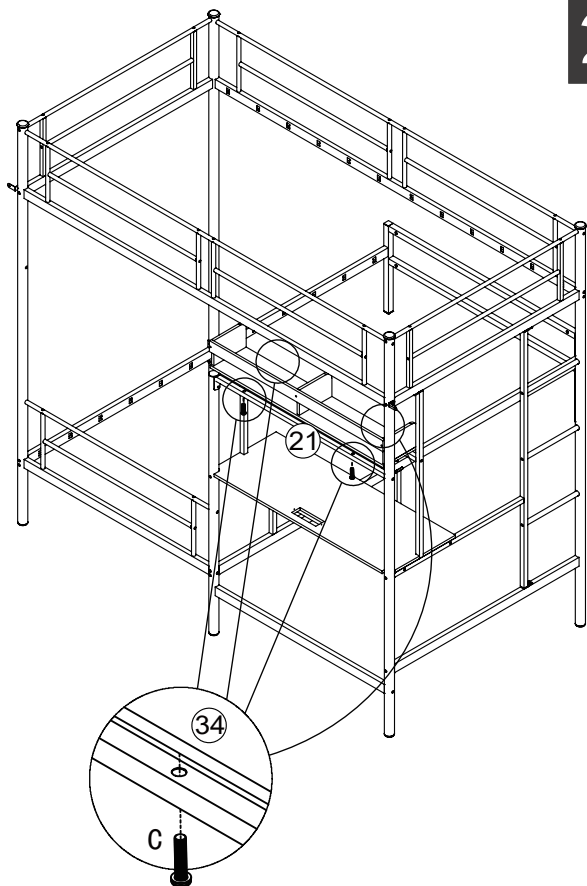
F		6pcs
M5x40		

26




F		3pcs
M5x40		

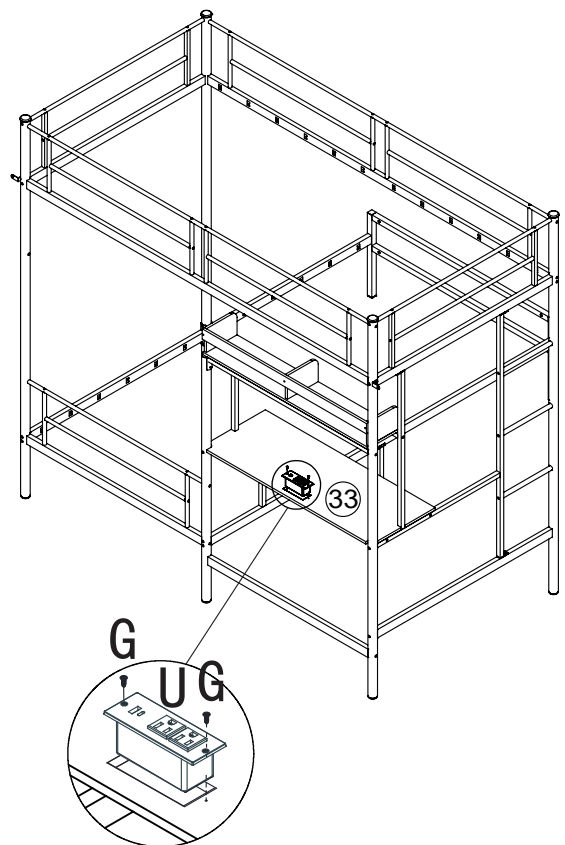
27



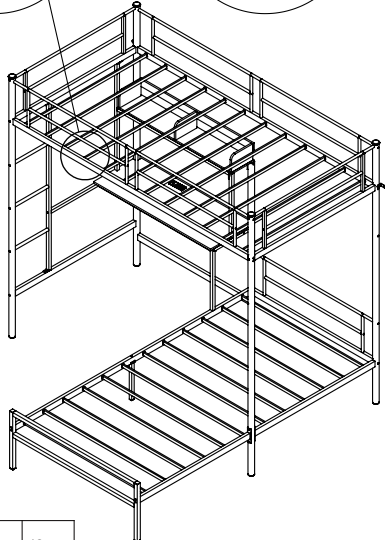
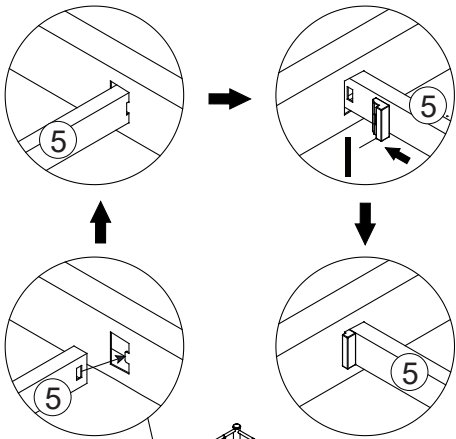
C		4pcs
M8x30		

 Fully tighten all the screws.

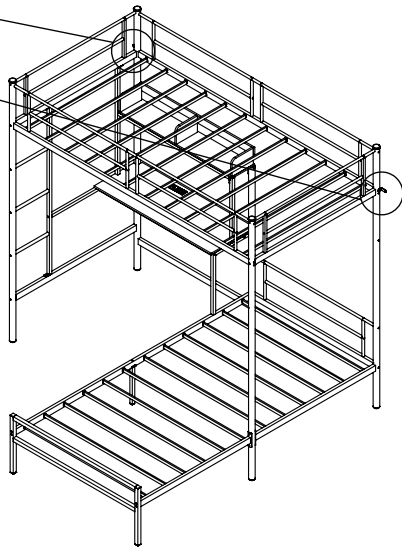
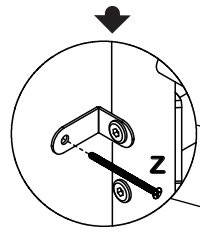
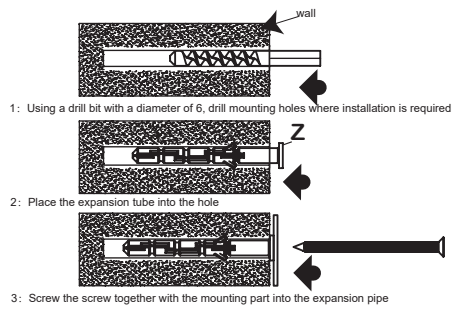
28



G		2pcs
ST4x14		

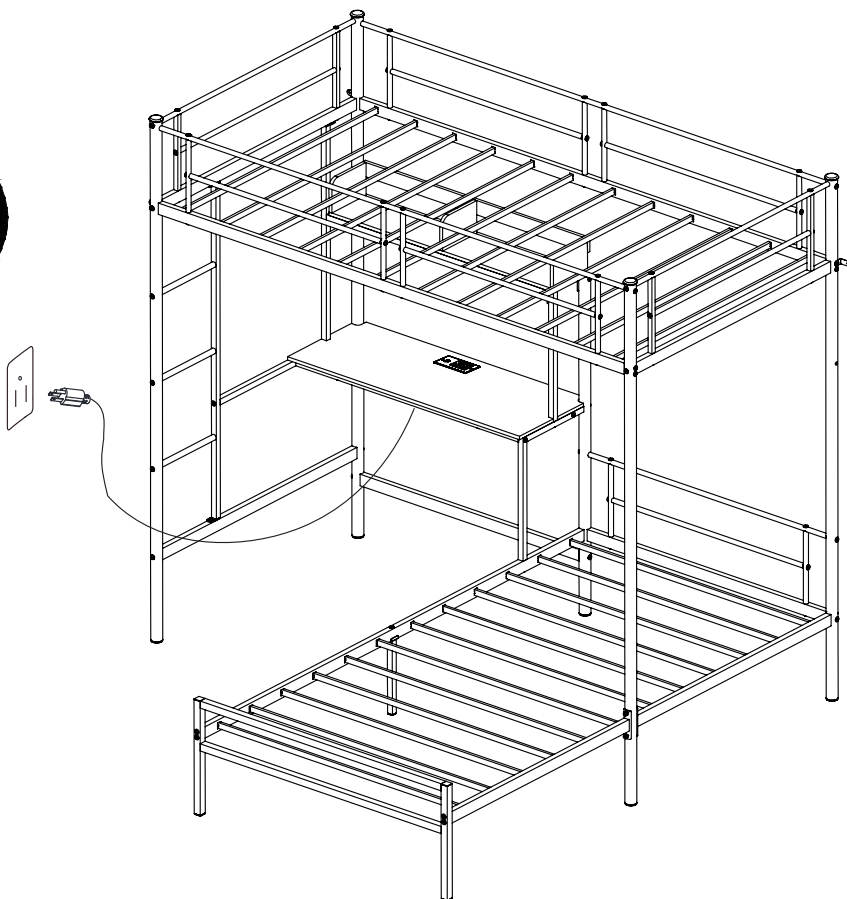


I		48pcs
---	--	-------



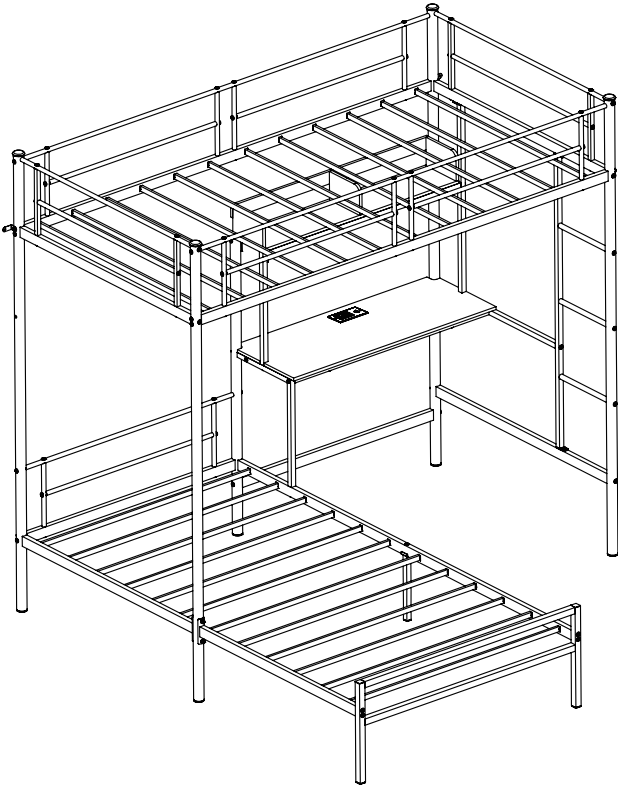
Z		2pcs
---	--	------

Finish



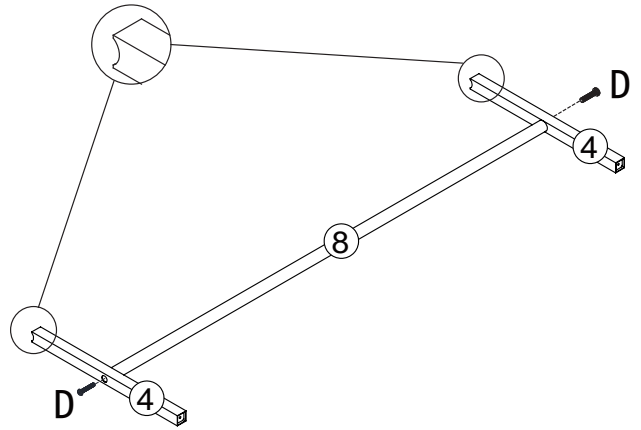
Note: Now you can tighten all the bolts.

TYPE 2



1

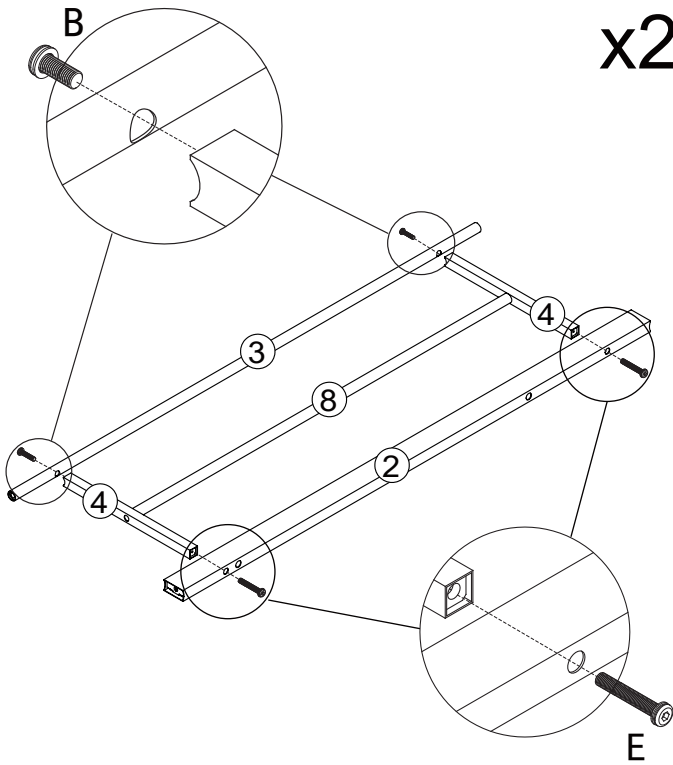
x2



D		4pcs
	M8x35	

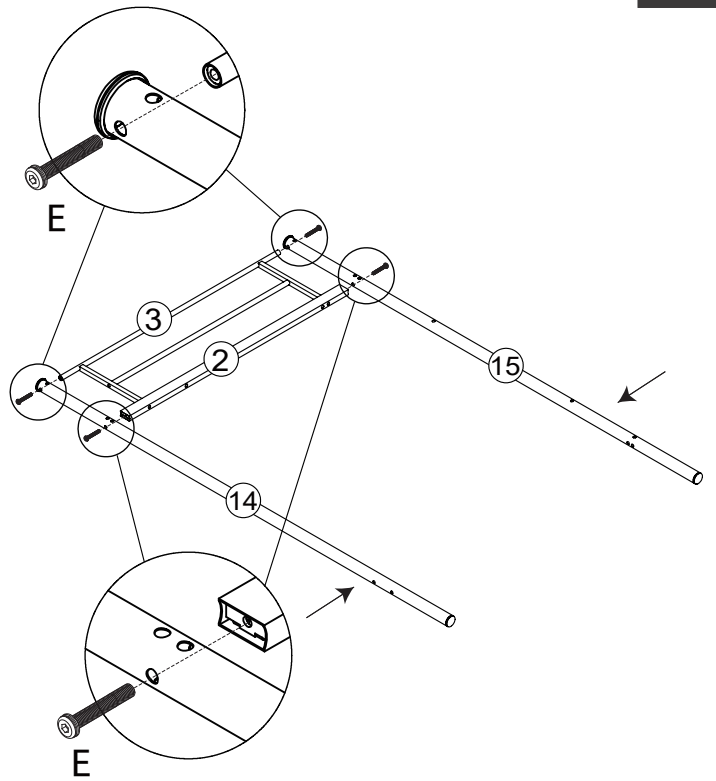
2

x2




B		4pcs
	M8x25	
E		4pcs
	M8x55	

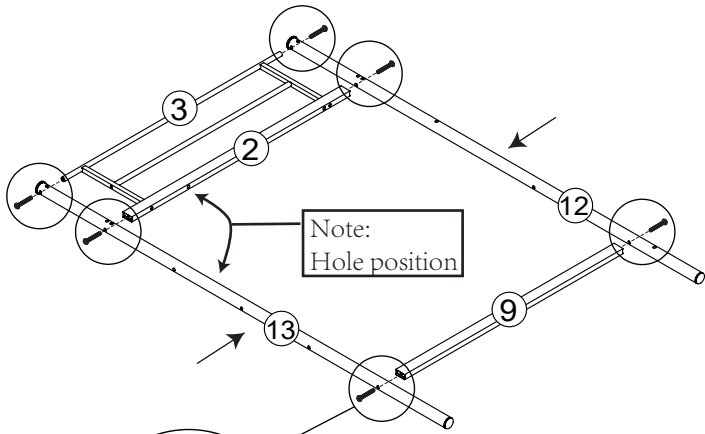
3



E		4pcs
	M8x55	

 Do not fully tighten the screws yet.

4



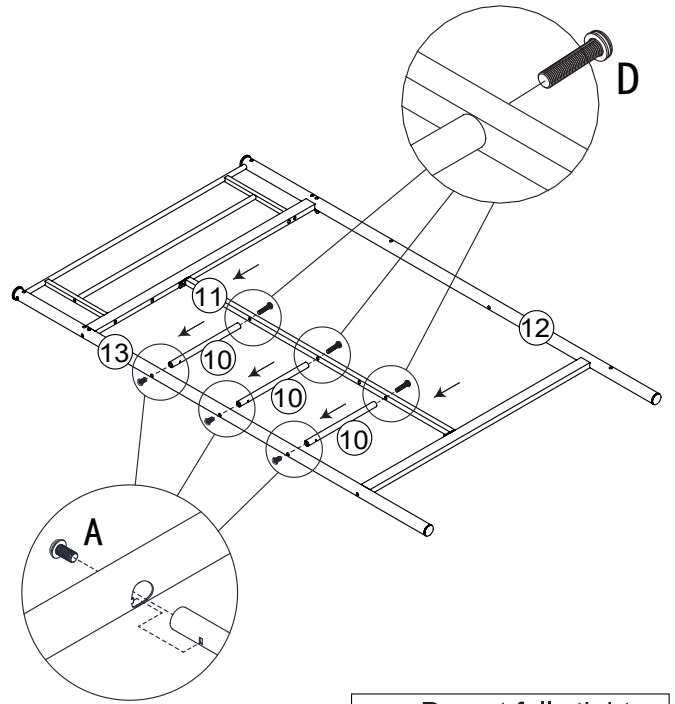
Note:
Hole position

E



⚠ Do not fully tighten
the screws yet.

E		6pcs
	M8x55	

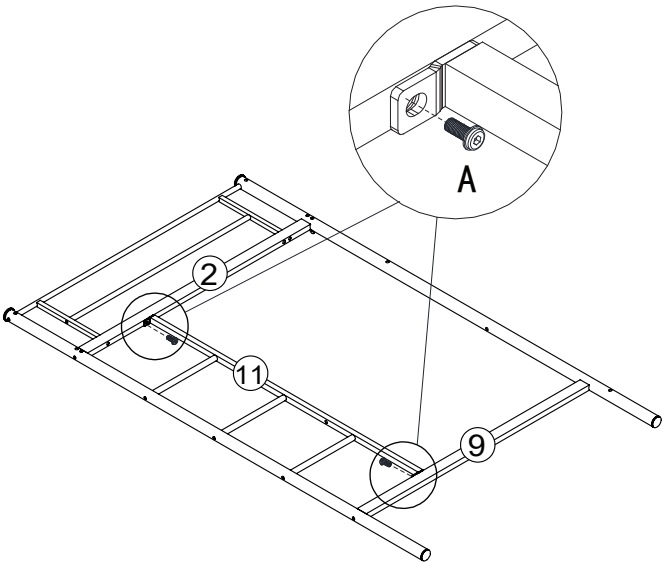
5



⚠ Do not fully tighten
the screws yet.

A		3pcs
	M8x16	
D		3pcs
	M8x35	

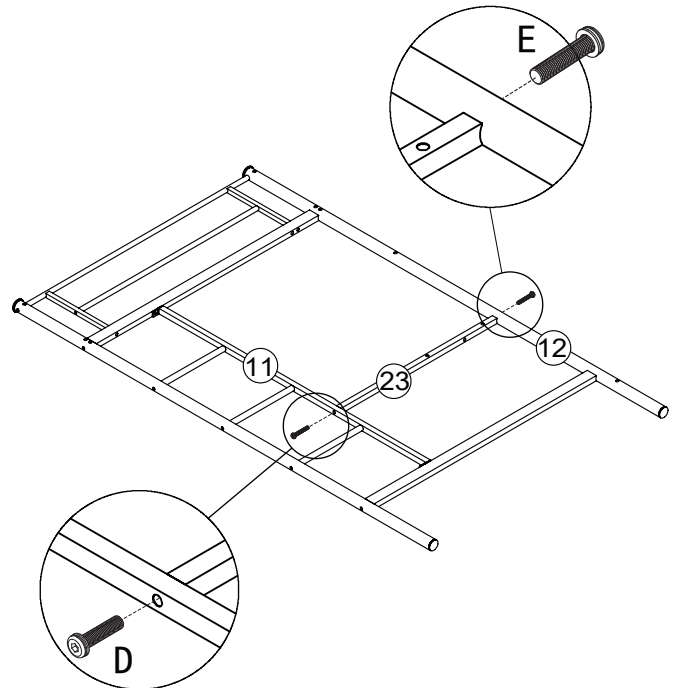
6





⚠ Do not fully tighten
the screws yet.

A		2pcs
	M8x16	

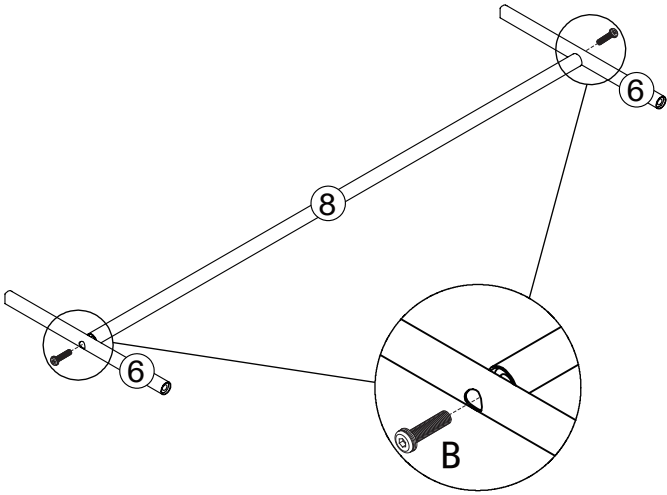
7



D		1pc
	M8x35	
E		1pc
	M8x55	

8

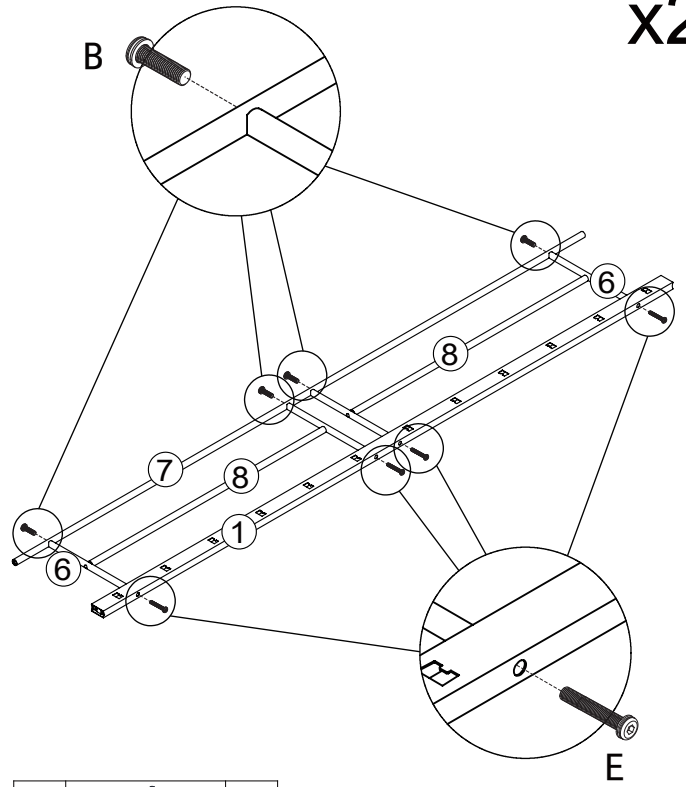
x5




B		10pcs
	M8x25	

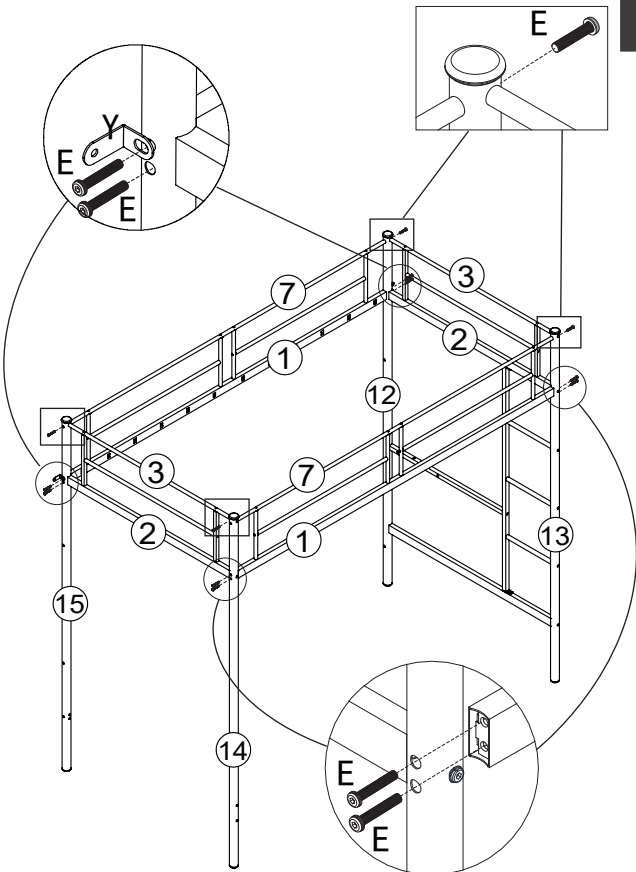
9

x2




B		8pcs
	M8x25	
E		8pcs
	M8x55	

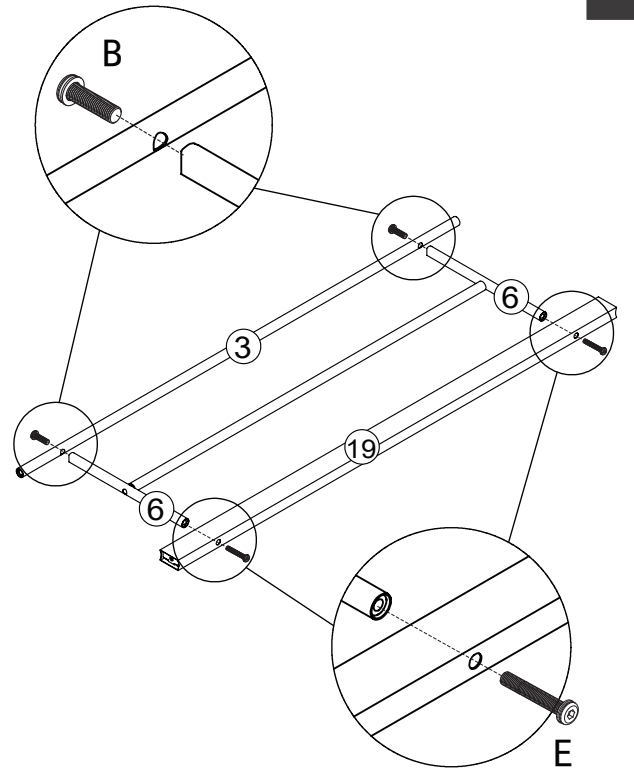
10





E		12pcs
	M8x55	

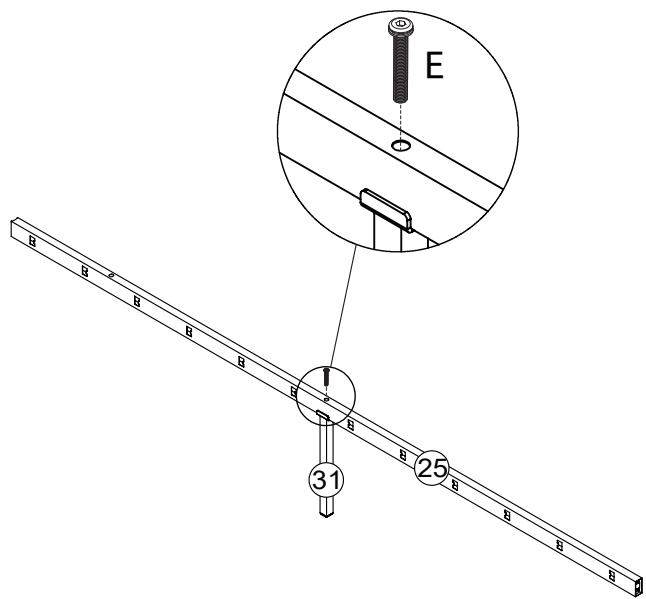
 Fully tighten all the screws.

11



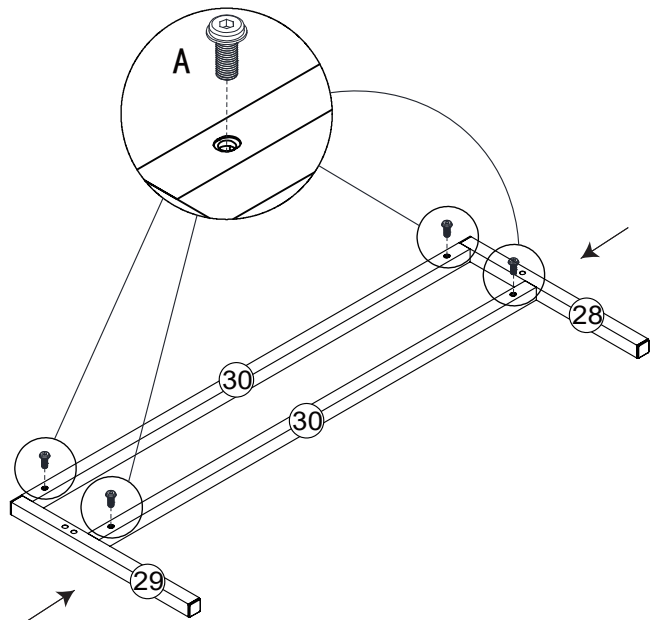
B		2pcs
	M8x25	
E		2pcs
	M8x55	

12



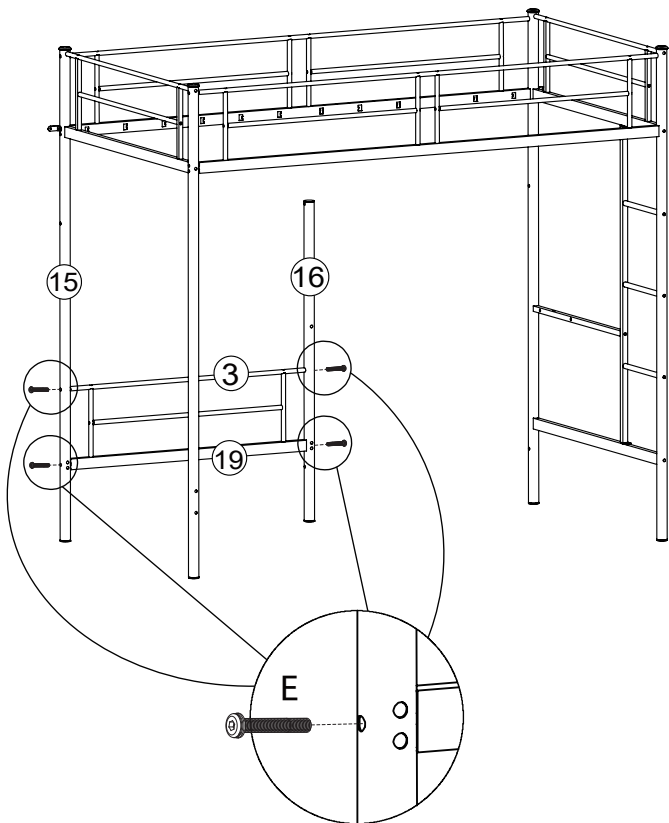
E		1pc
	M8x55	

13




A		4pcs
	M8x16	

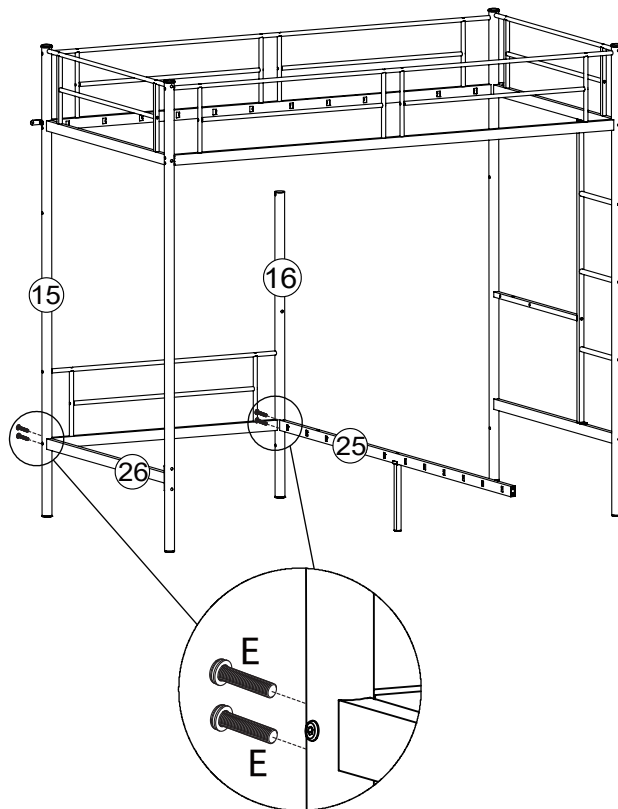
14




E		4pcs
	M8x55	

 Do not fully tighten the screws yet.

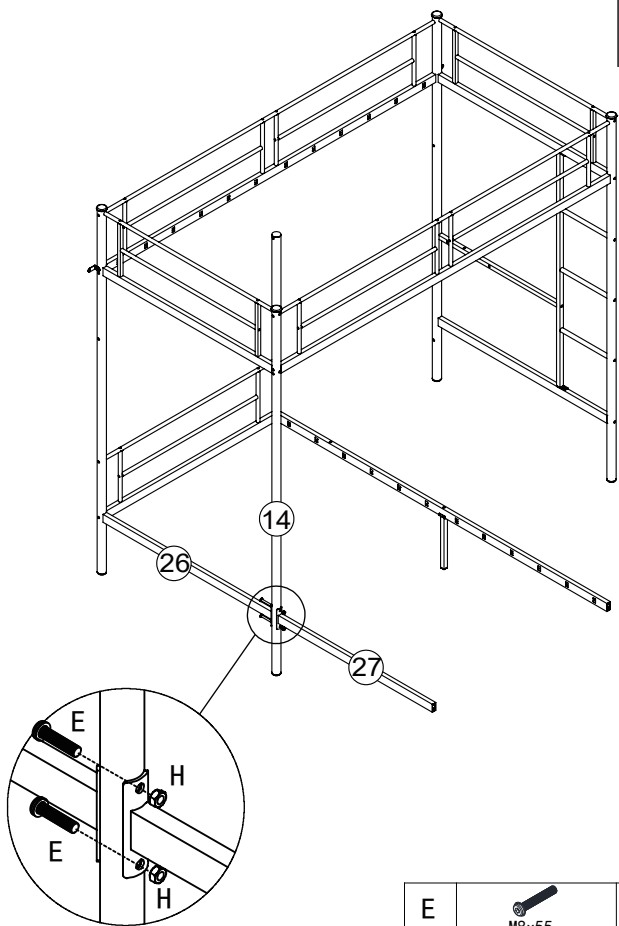
15





E		4pcs
	M8x55	

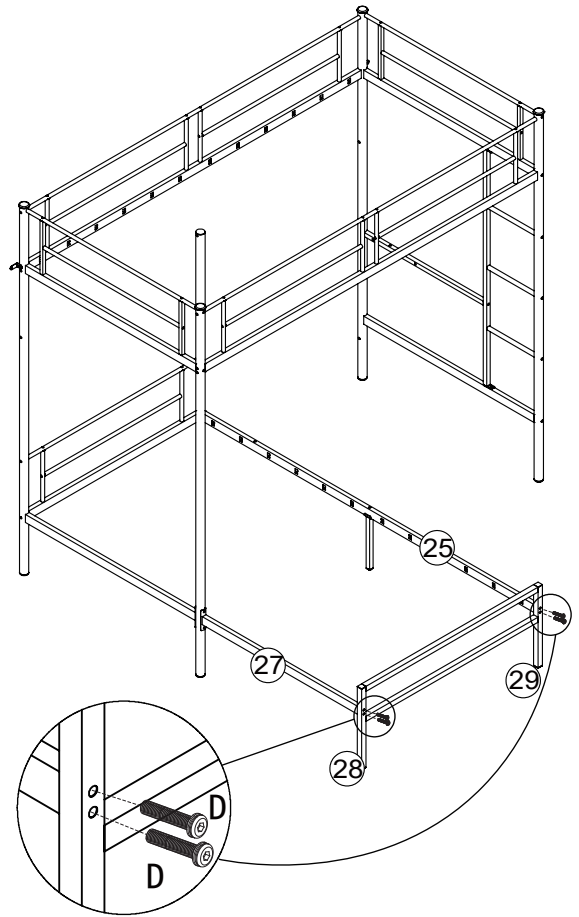
 Do not fully tighten the screws yet.

16



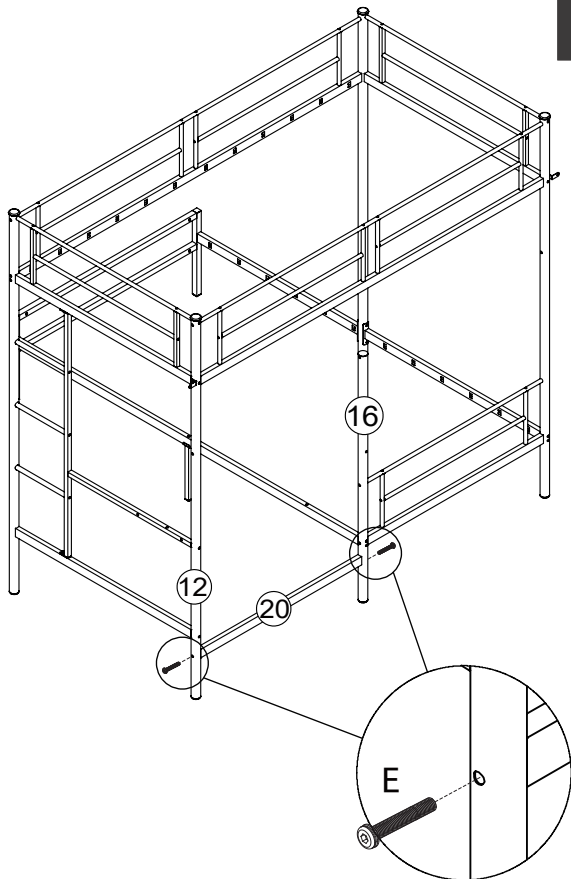
E	 M8x55	2pcs
H		2pcs

17




D	 M8x35	4pcs
---	--------------------------------------------------------------------------------------------	------

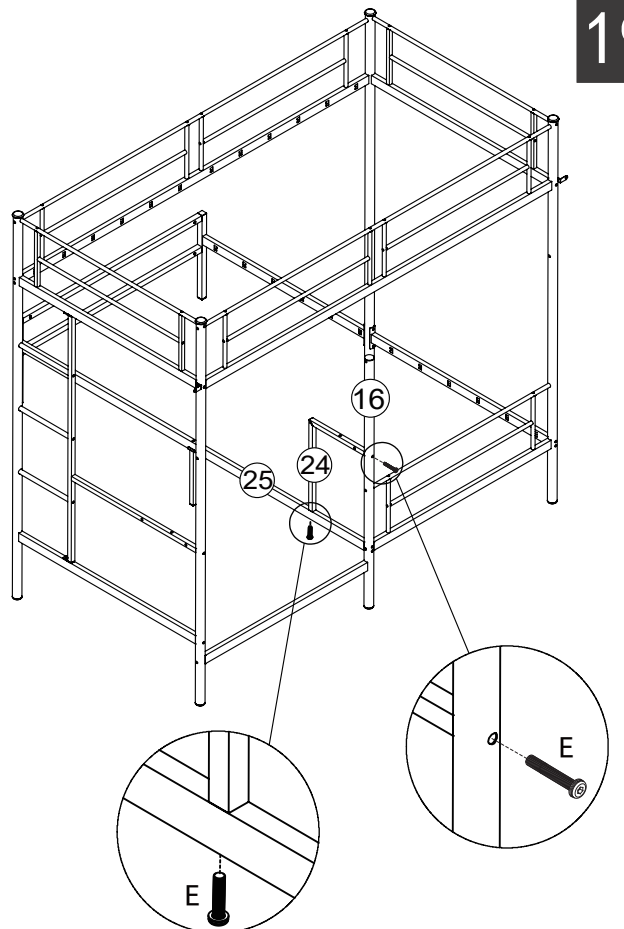
18



E	 M8x55	2pcs
---	-------------------------------------------------------------------------------------------	------

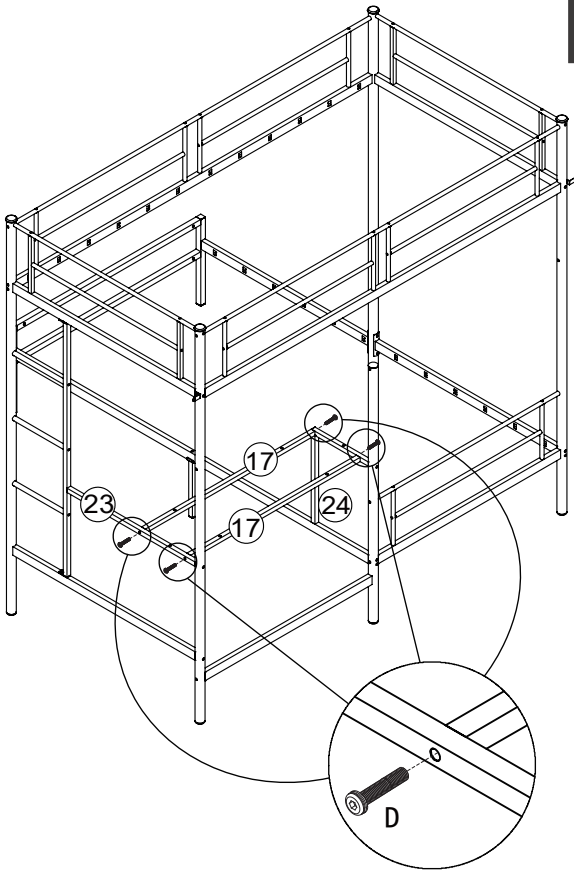
 Do not fully tighten the screws yet.

19




E	 M8x55	2pcs
---	-------------------------------------------------------------------------------------------	------

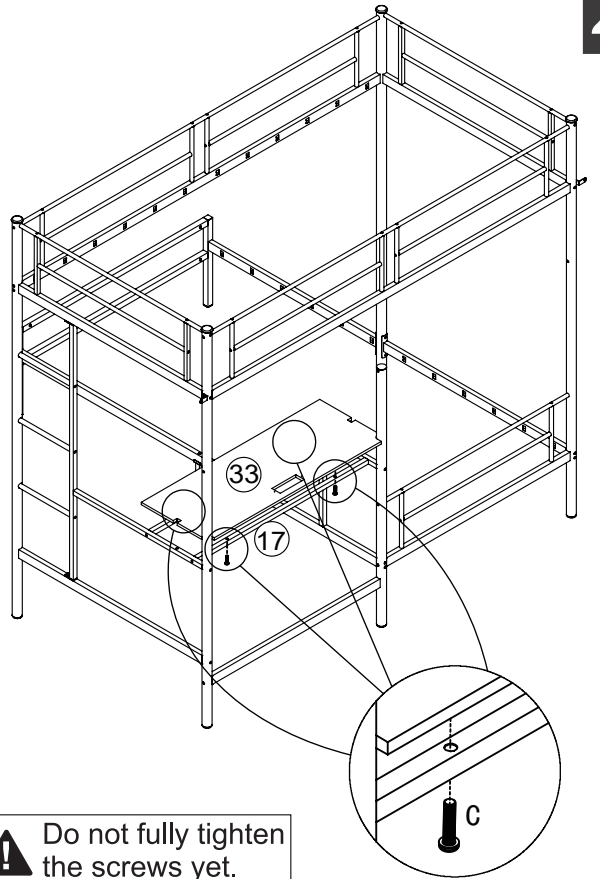
20




D		4pcs
---	------------------------------------------------------------------------------------	------

 Do not fully tighten the screws yet.

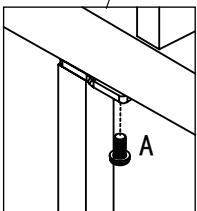
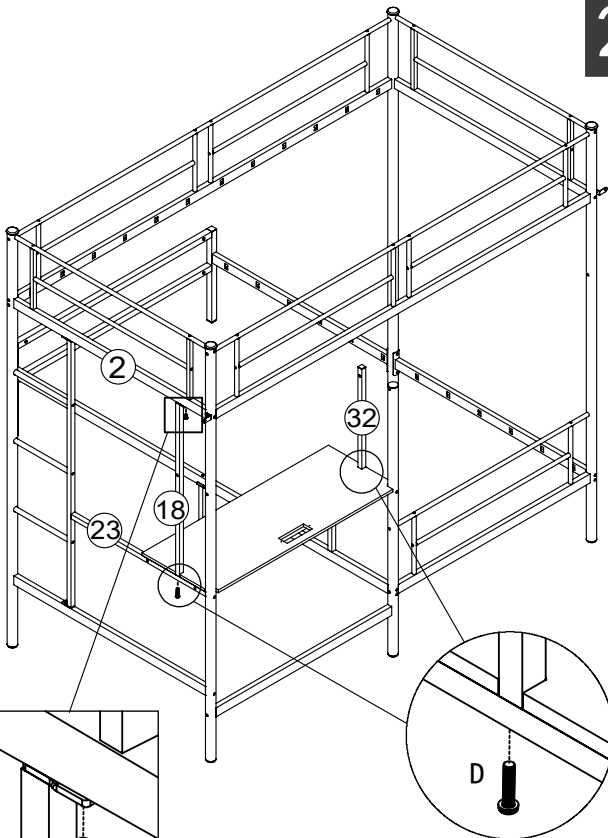
21





 Do not fully tighten the screws yet.

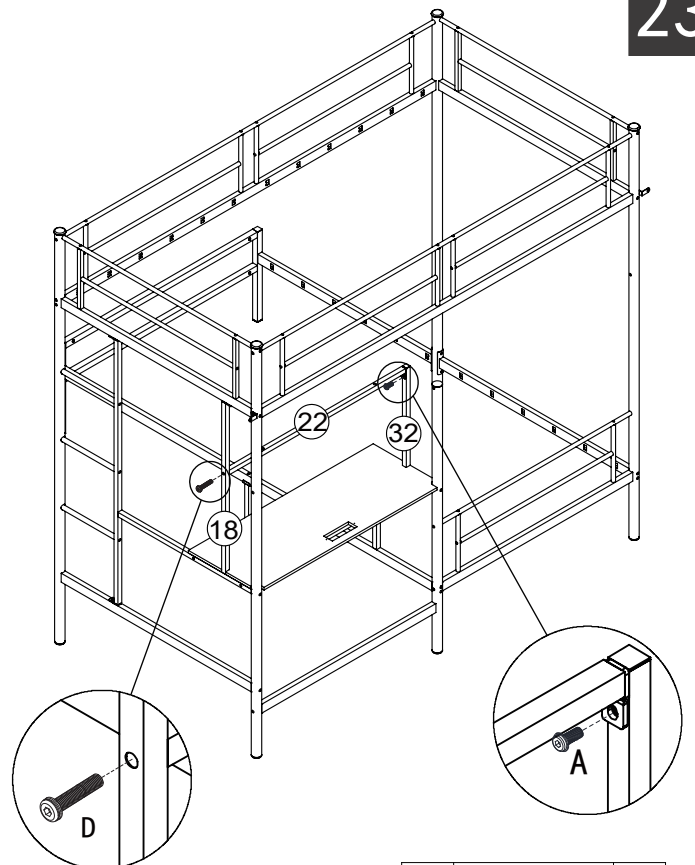
C		4pcs
---	--------------------------------------------------------------------------------------	------


22





A		1pc
D		2pcs

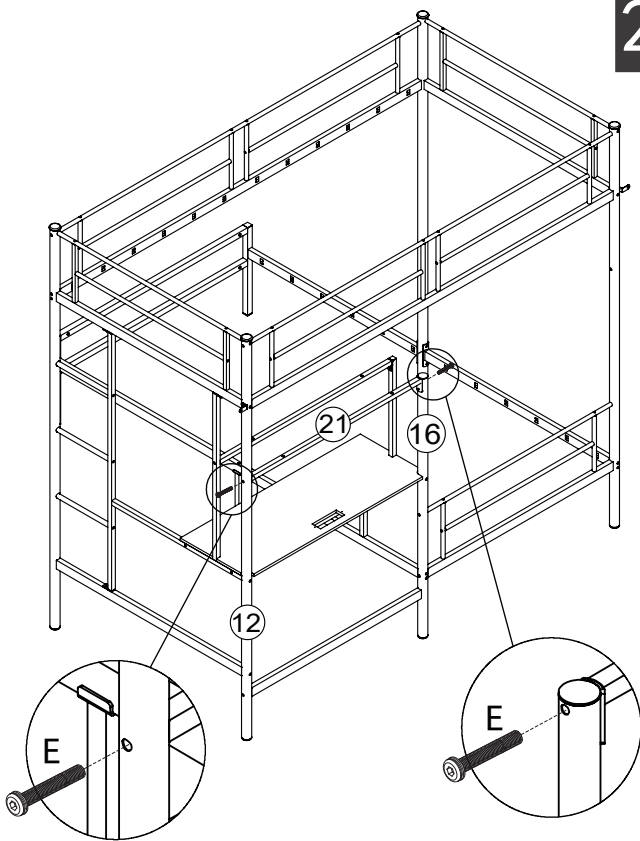
23



 Do not fully tighten the screws yet.

A		1pc
D		1pc

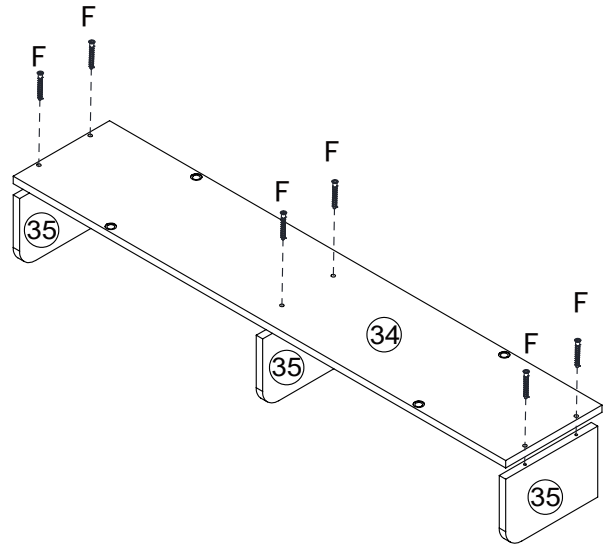
24



E M8x55 2pcs

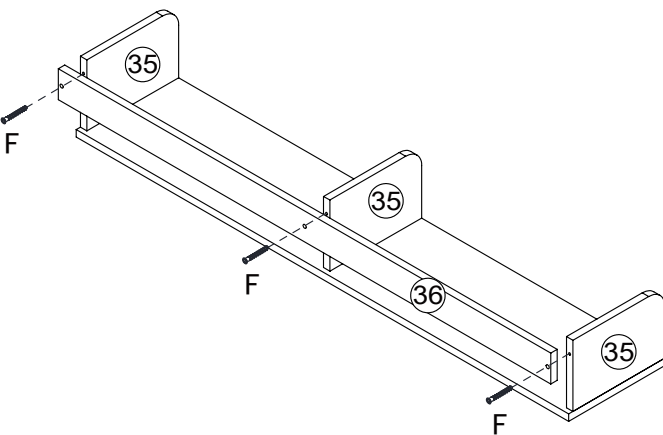
! Do not fully tighten the screws yet.

25



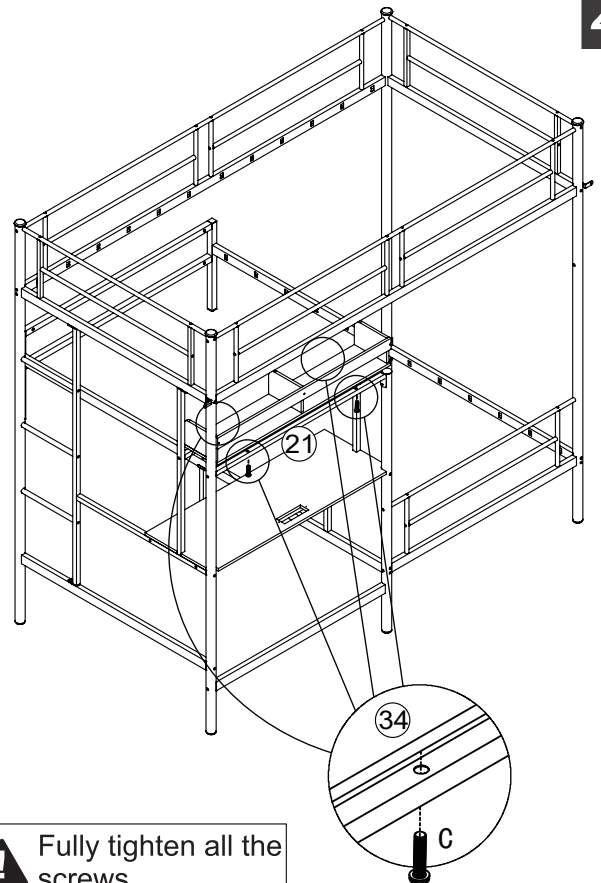
F M5x40 6pcs

26



F M5x40 3pcs

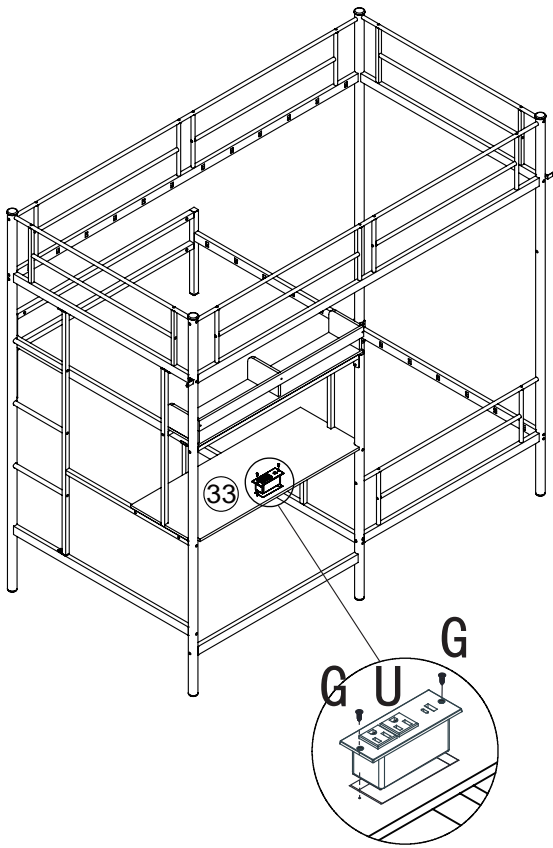
27



! Fully tighten all the screws.

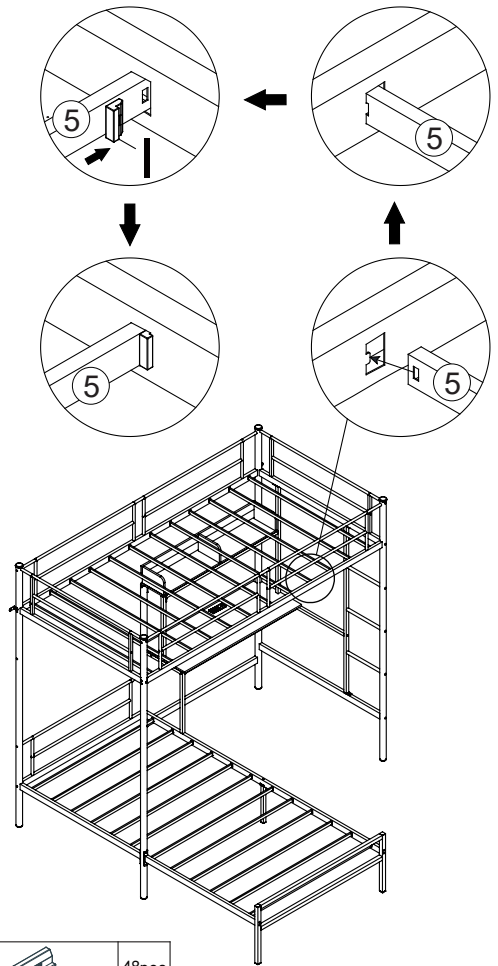
C M8x30 4pcs

28



G	ST4x14	2pcs
---	--------	------

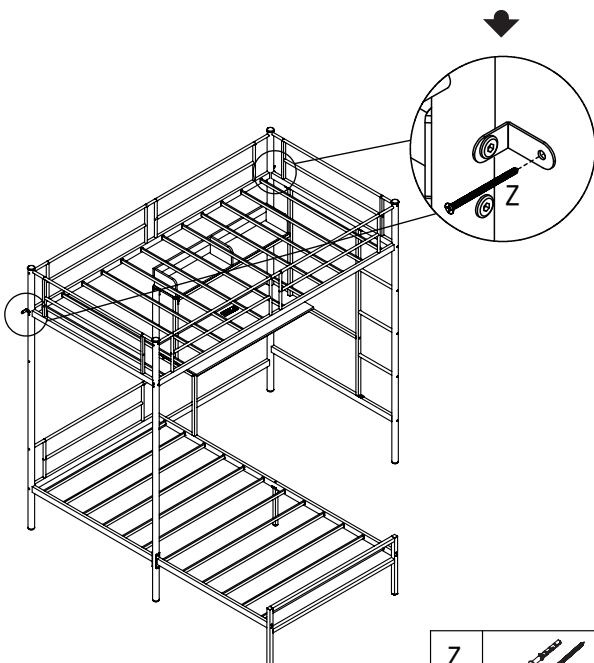
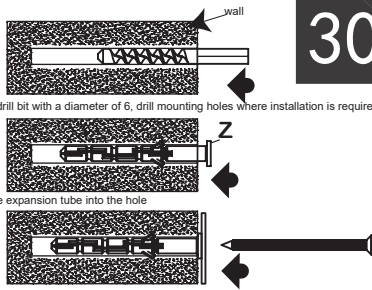
29



I		48pcs
---	--	-------

30

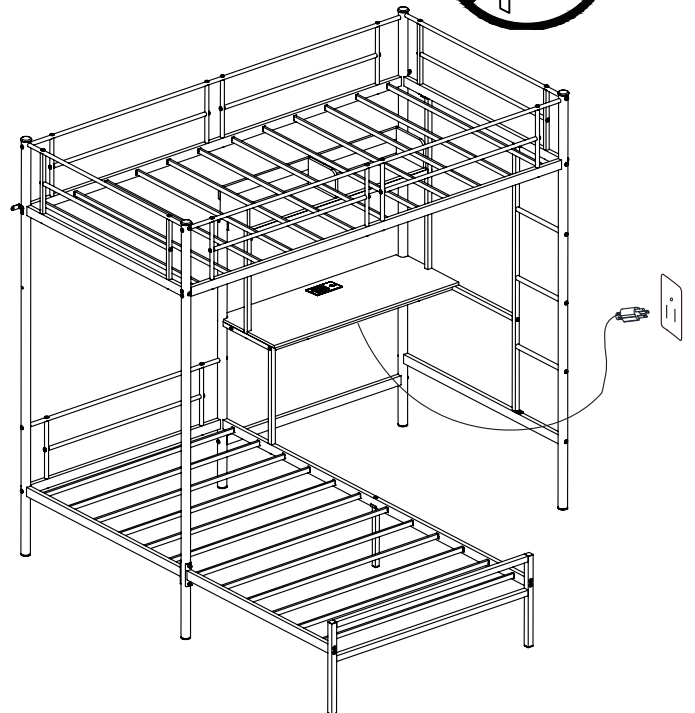
- 1: Using a drill bit with a diameter of 6, drill mounting holes where installation is required
- 2: Place the expansion tube into the hole
- 3: Screw the screw together with the mounting part into the expansion pipe



Z		2pcs
---	--	------

Finish

31



Note: Now you can tighten all the bolts.