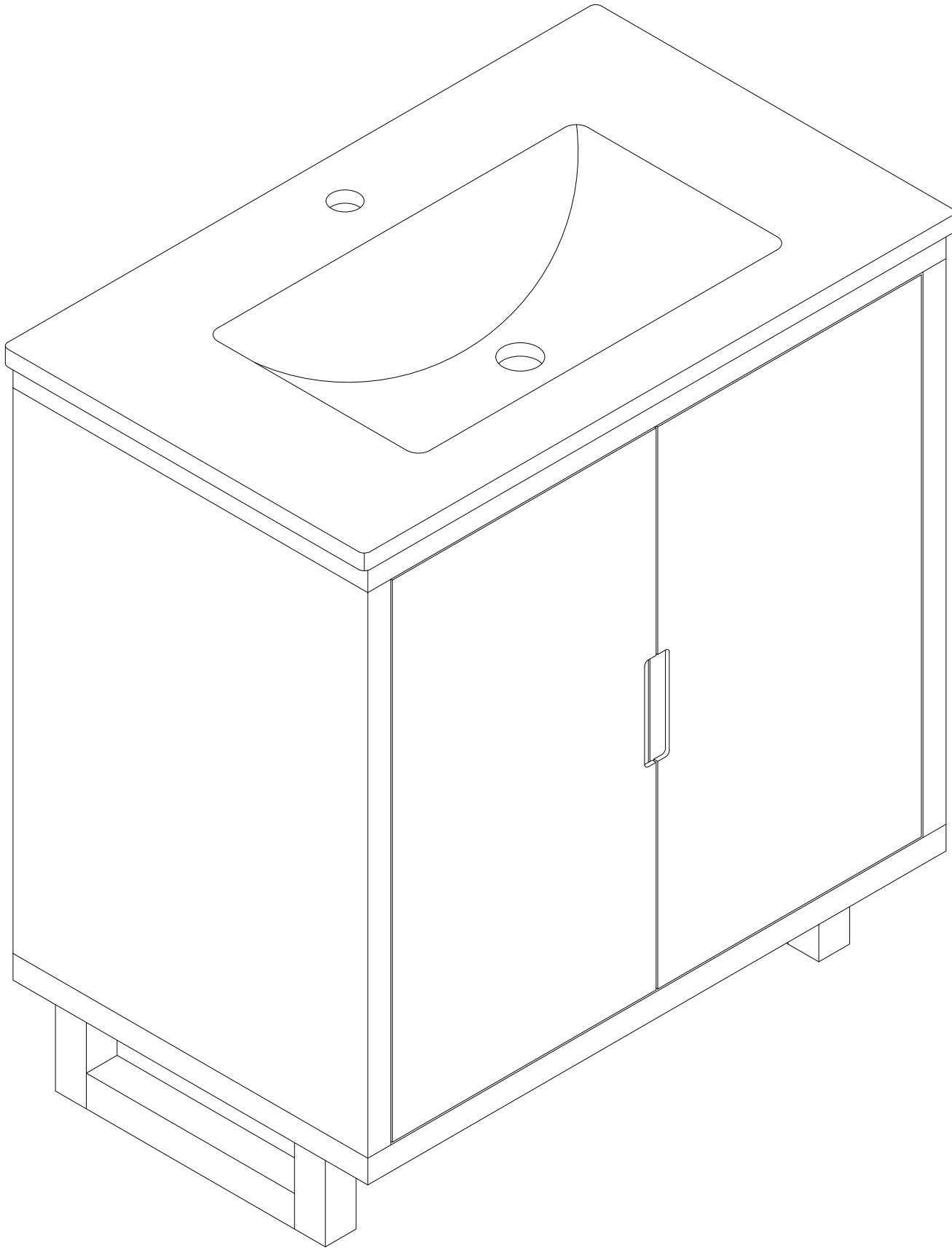
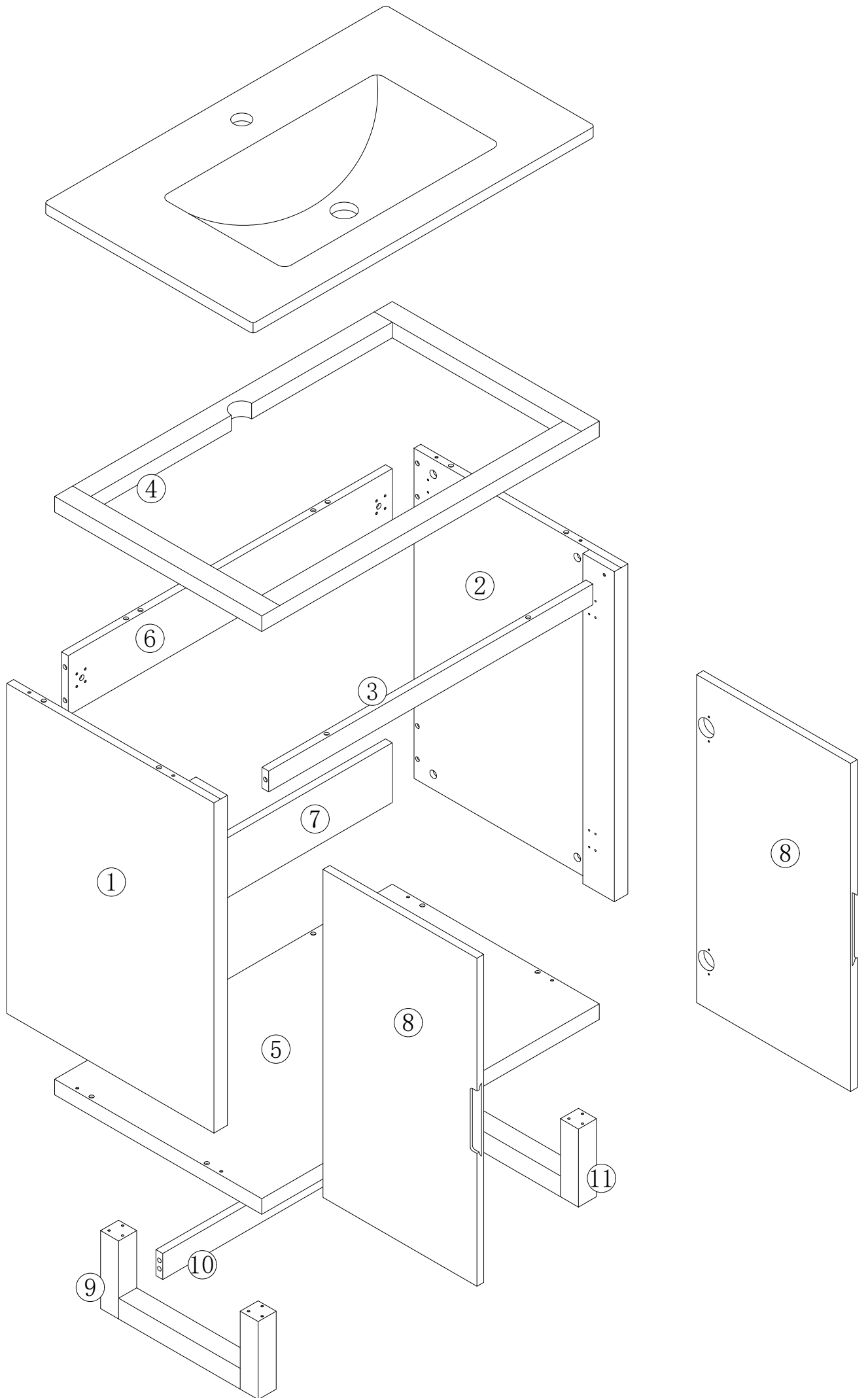
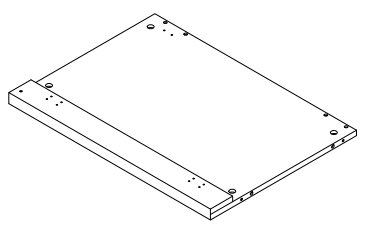
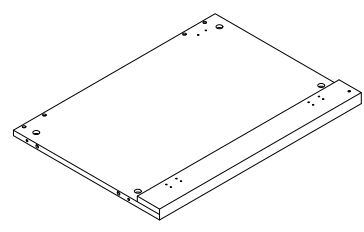
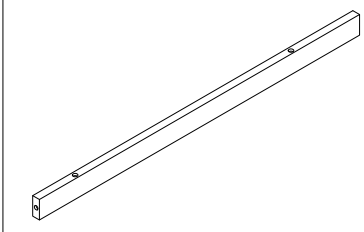
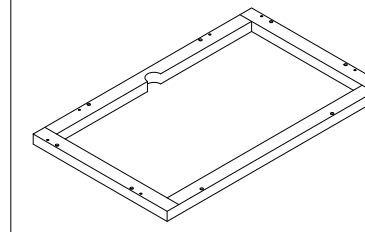
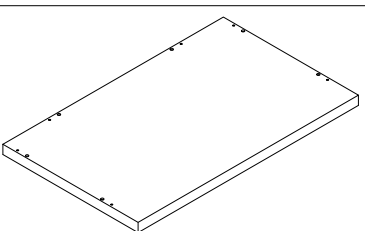
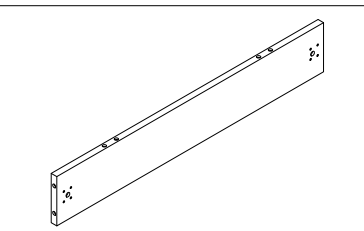
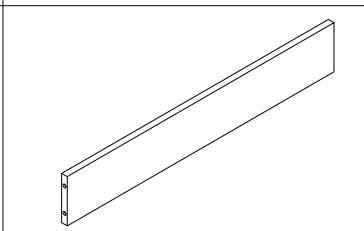
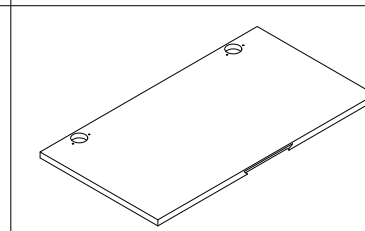
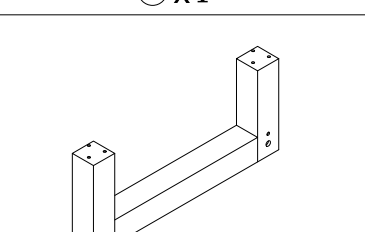
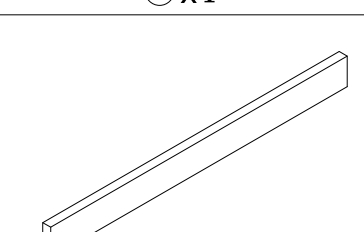
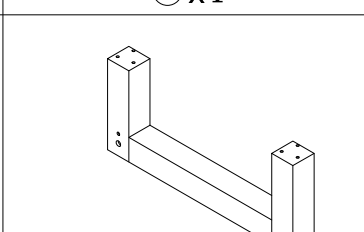
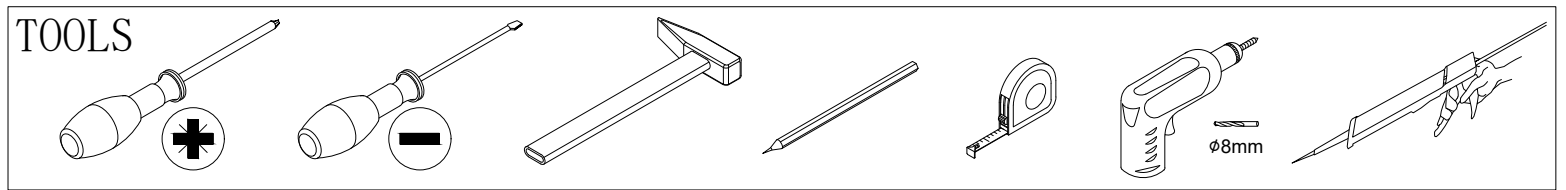


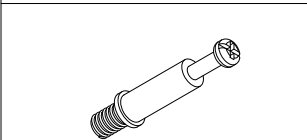
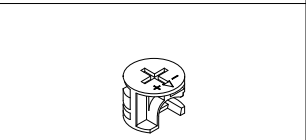
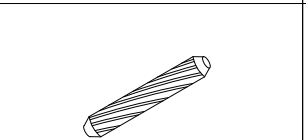
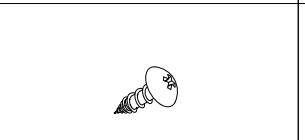
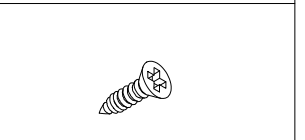

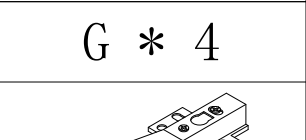



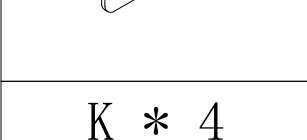
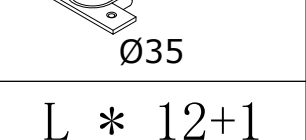
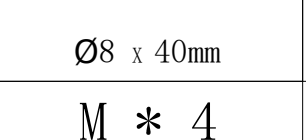
ASSEMBLY INSTRUCTION







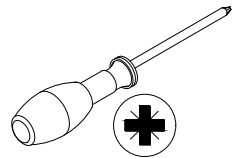
			
① x1	② x1	③ x1	④ x1
			
⑤ x1	⑥ x1	⑦ x1	⑧ x2
			
⑨ x1	⑩ x1	⑪ x1	



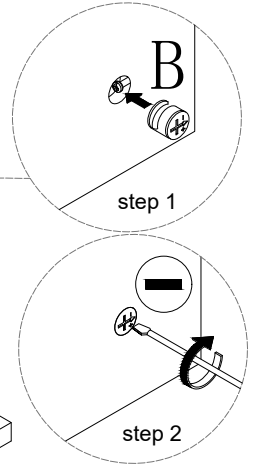
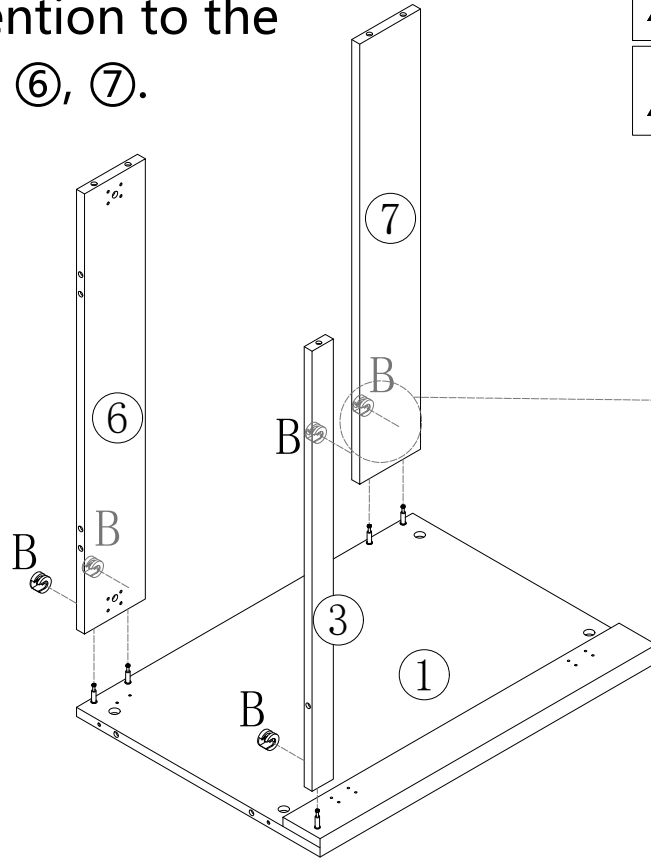
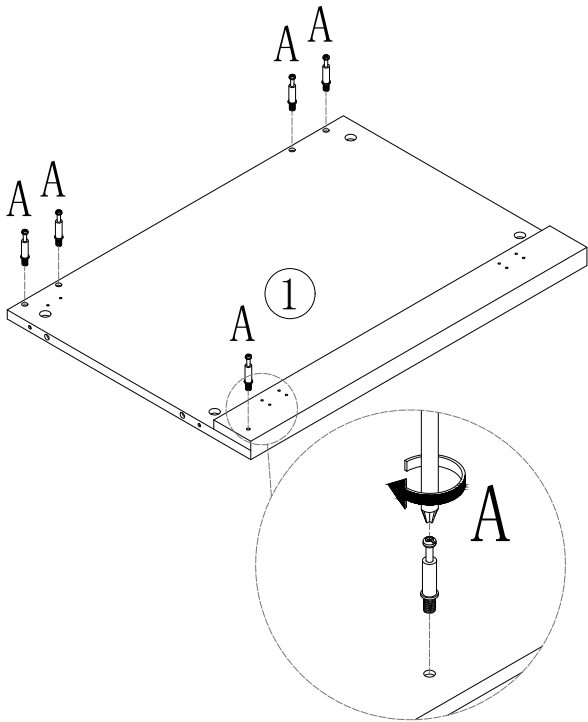
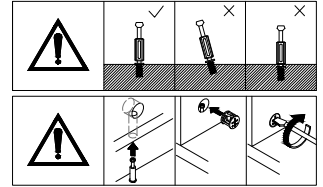
A * 24+2	B * 24+2	C * 16+1	D * 28+2	E * 24+2
				
M6 X 35mm	Ø15 x 12mm	Ø8 x 30mm	M4 x 14mm	M4 x 14mm
F * 2	G * 4	H * 2	I * 2	J * 2
				
	Ø35	Ø8 x 40mm	Ø20	M6 x 60mm
K * 4	L * 12+1	M * 4		
				
	M4 x 30mm	Ø5 x 15mm		

Step 1


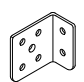
A * 5	B * 5
	
M6 X 35mm	Ø15 x 12mm

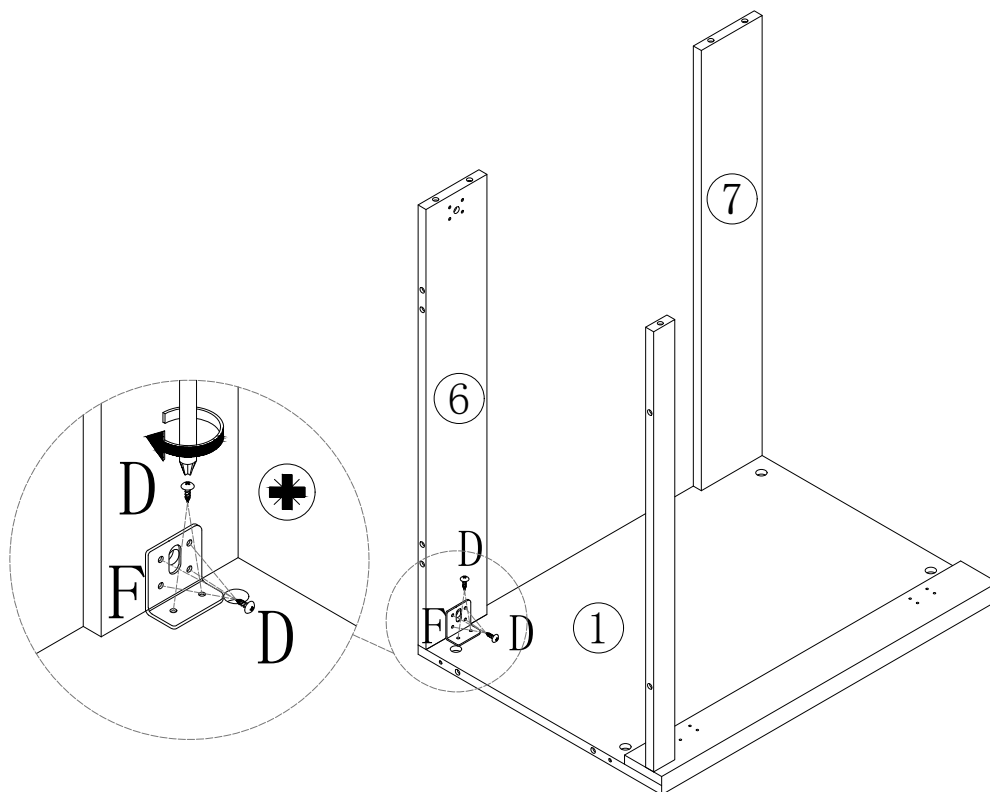
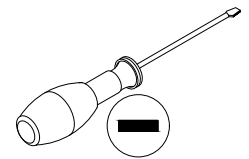


Please pay attention to the direction of ③, ⑥, ⑦.



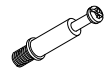
Step 2

D * 6	F * 1
	
M4 x 14mm	

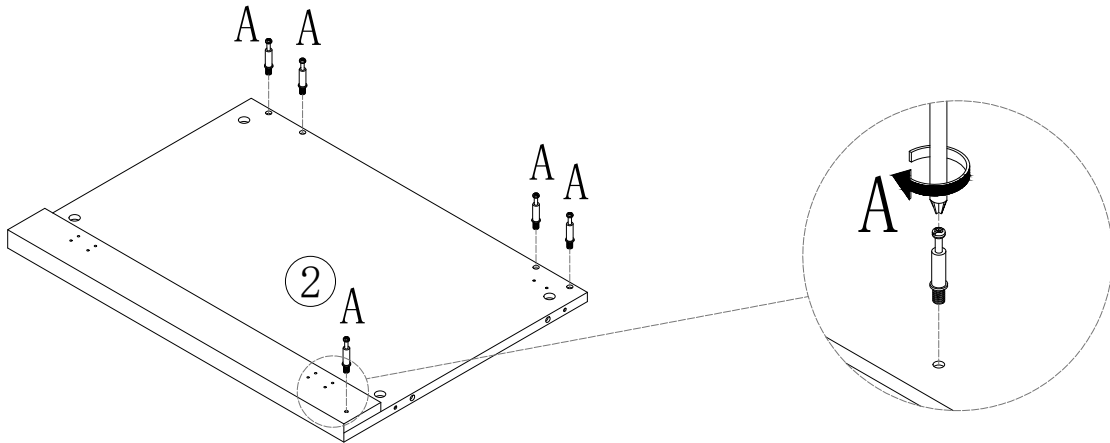
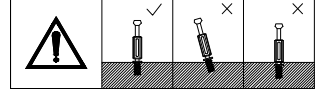
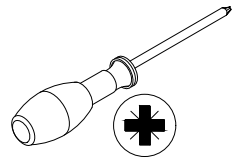


Step 3

A * 5



M6 X 35mm

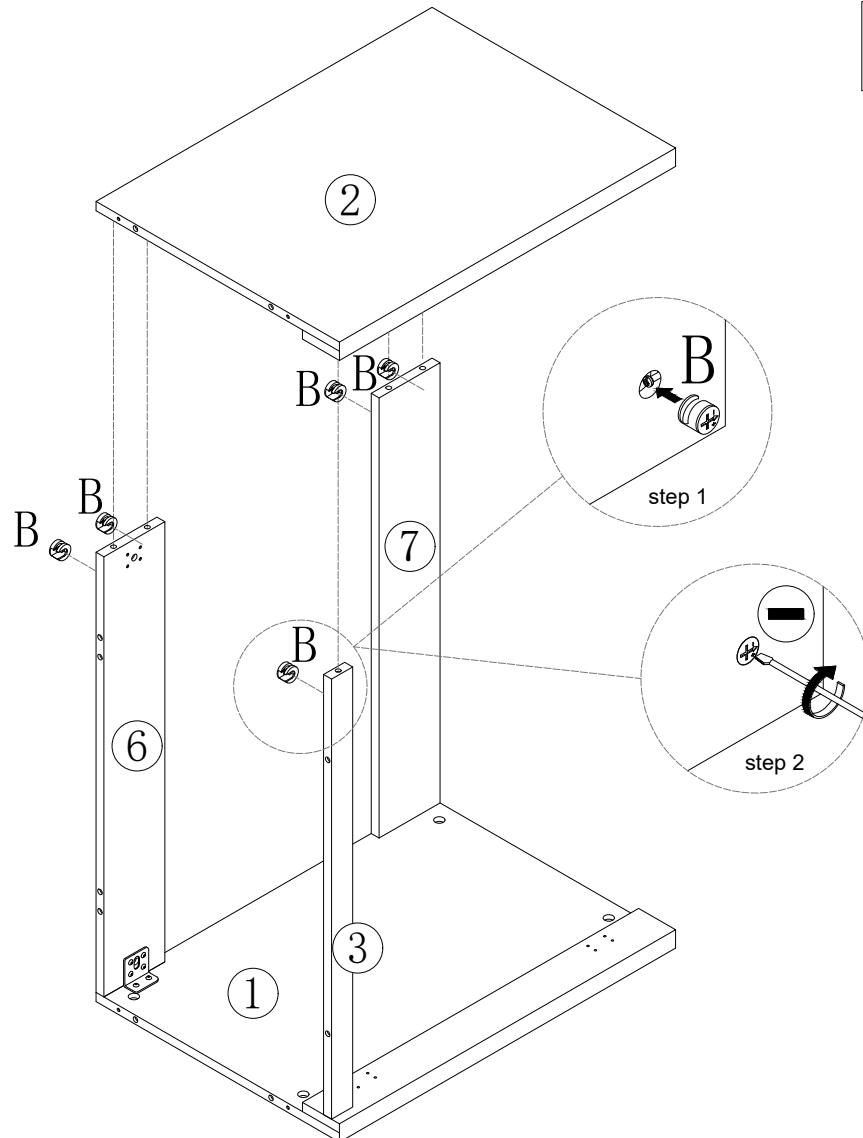
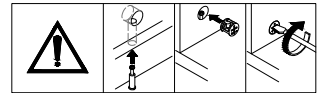
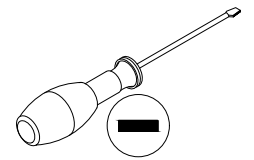


Step 4


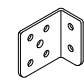

B * 5

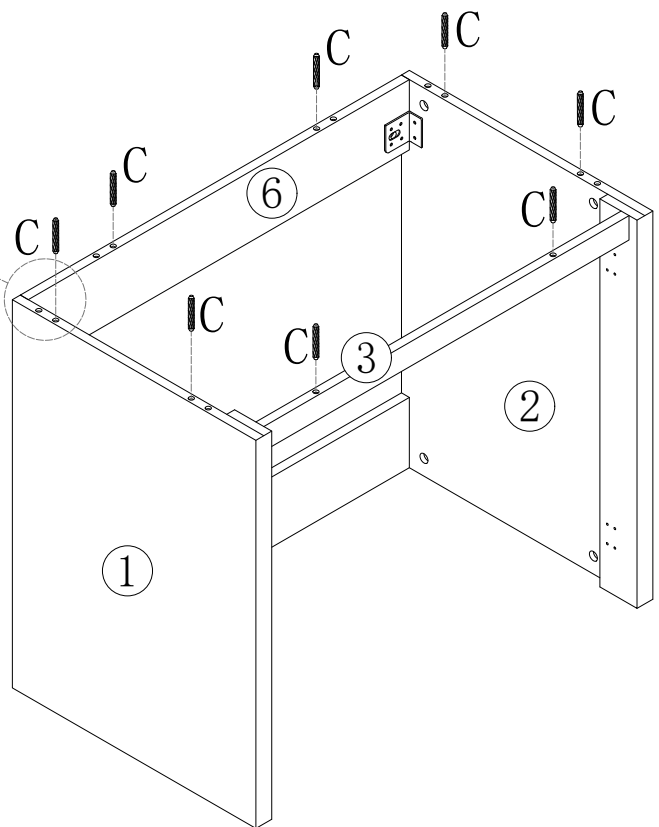
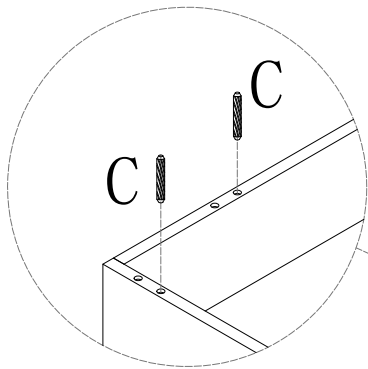
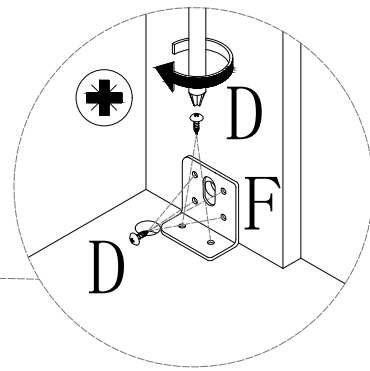
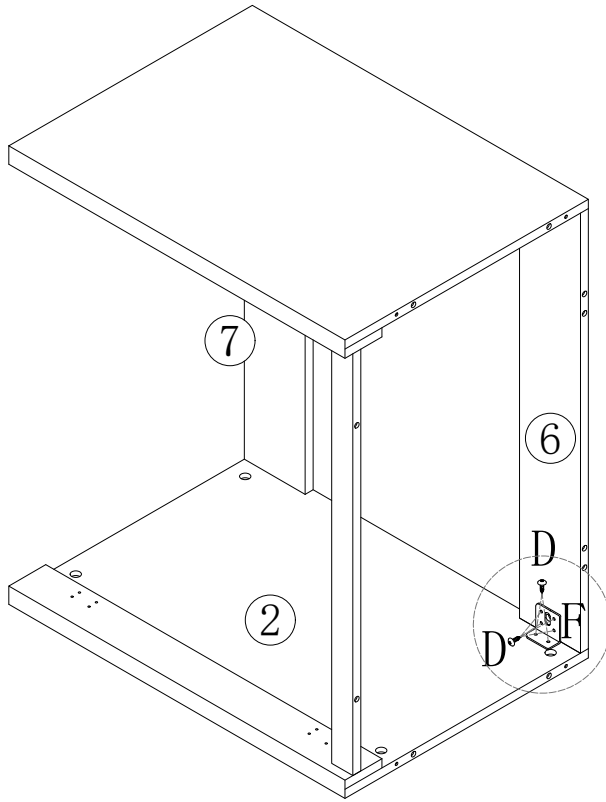
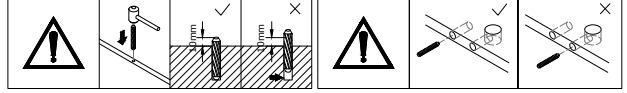
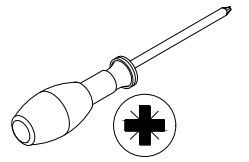


Ø15 x 12mm



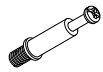
Step 5

D * 6	F * 1	C * 8
 M4 x 14mm	 	 Ø8 x 30mm

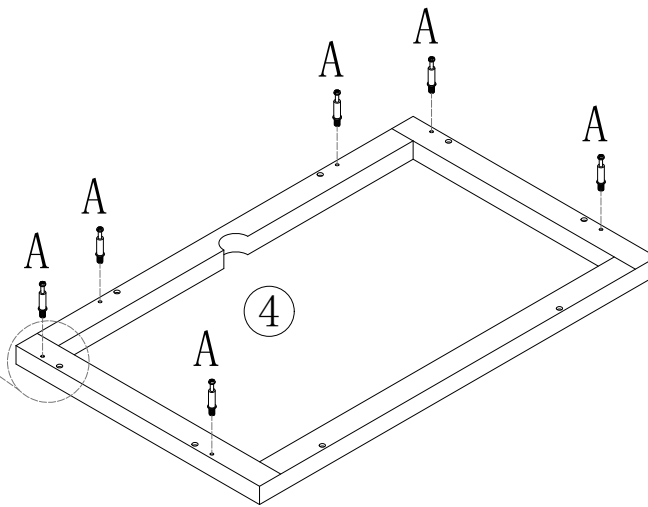
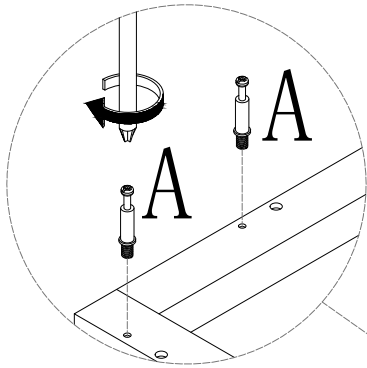
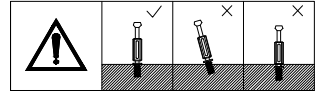


Step 6

A * 6



M6 X 35mm

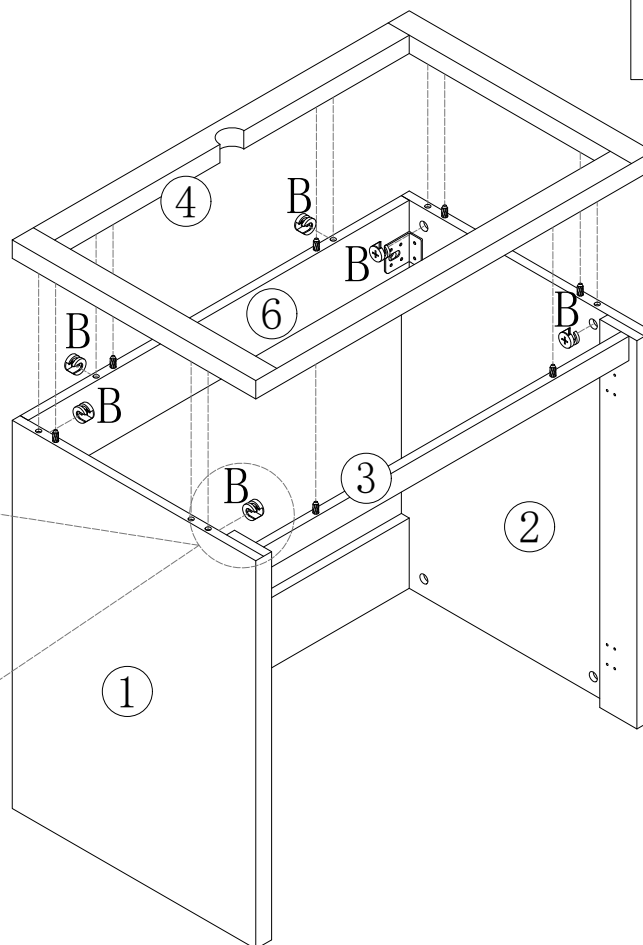
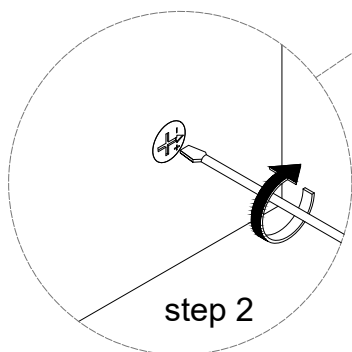
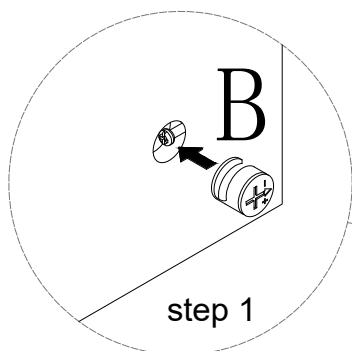
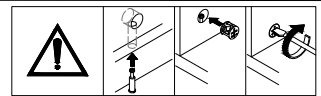
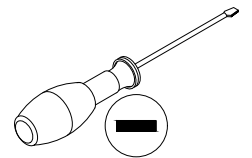


Step 7




B * 6

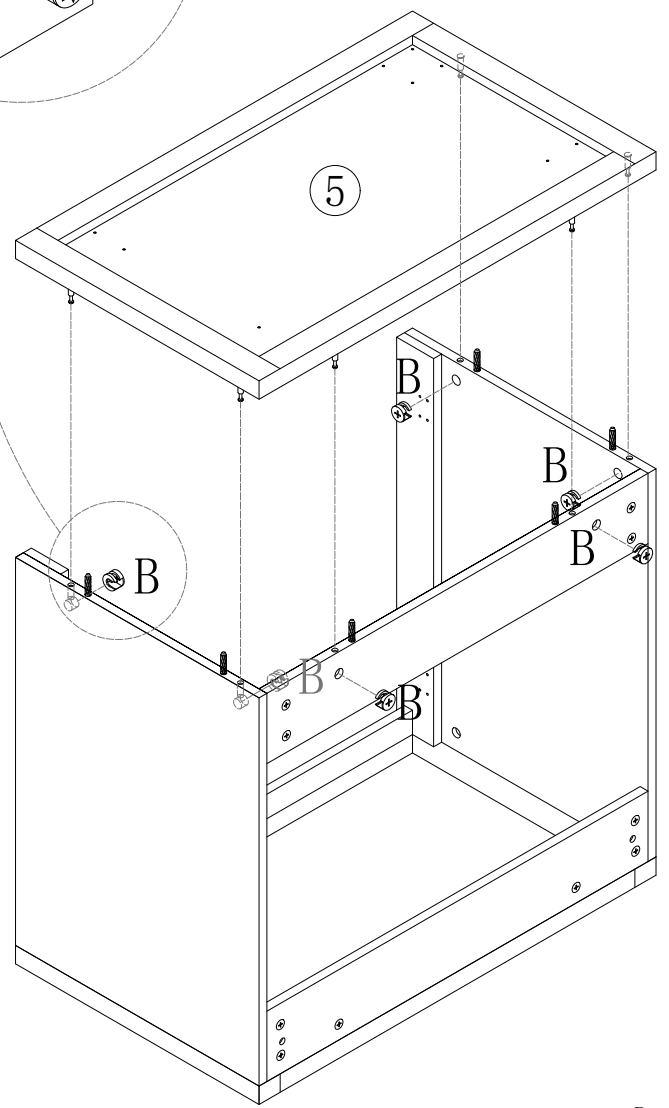
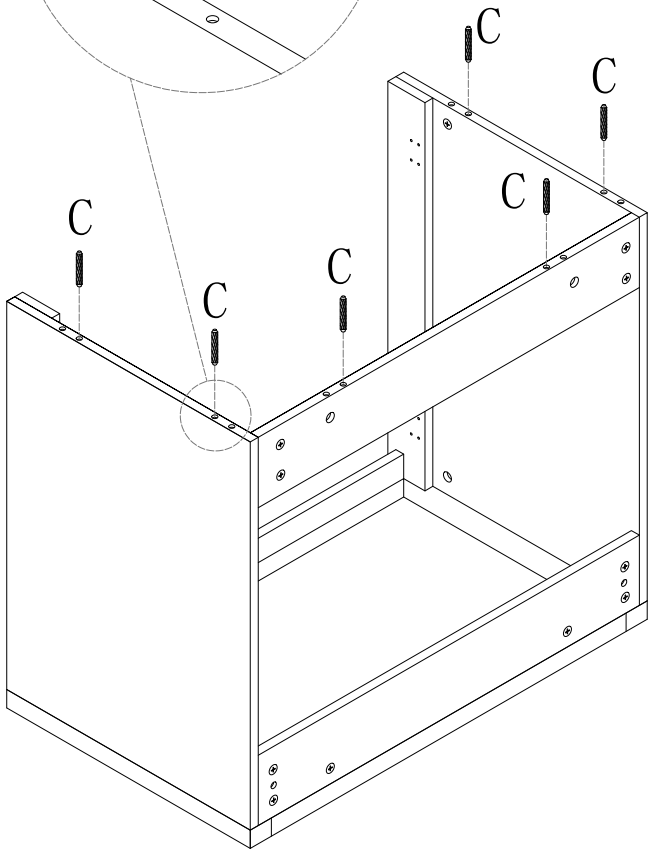
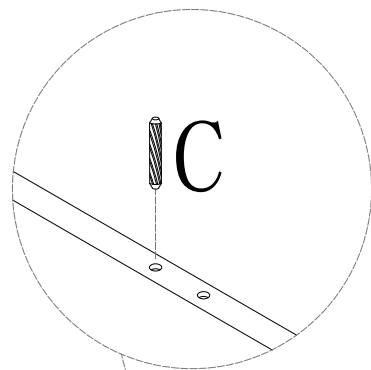
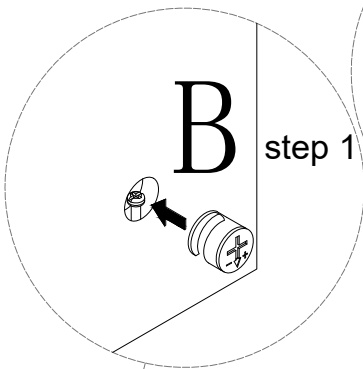
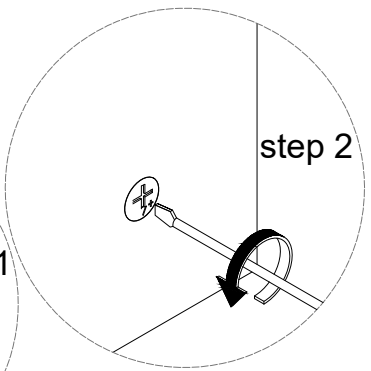
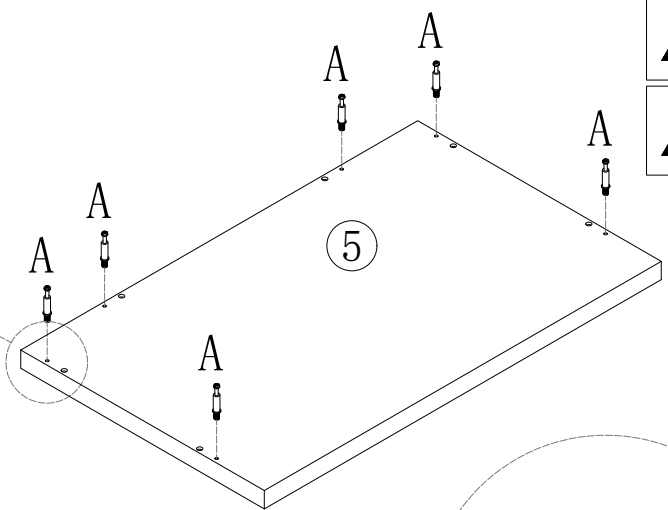
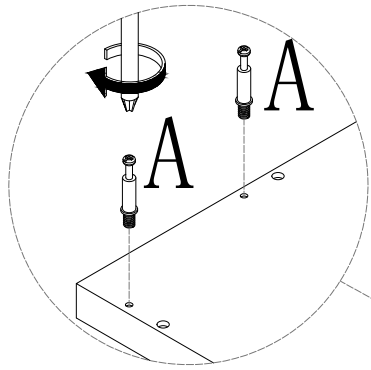
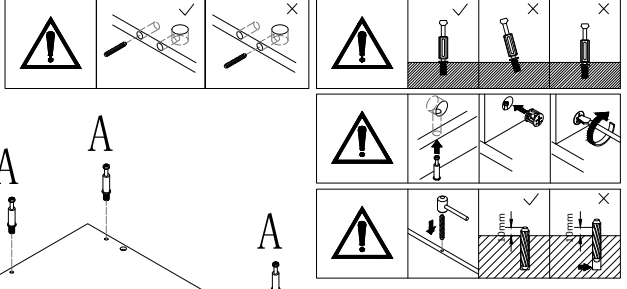
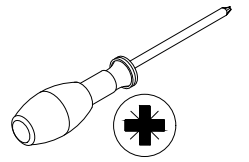


Ø15 x 12mm

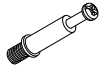
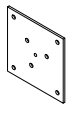



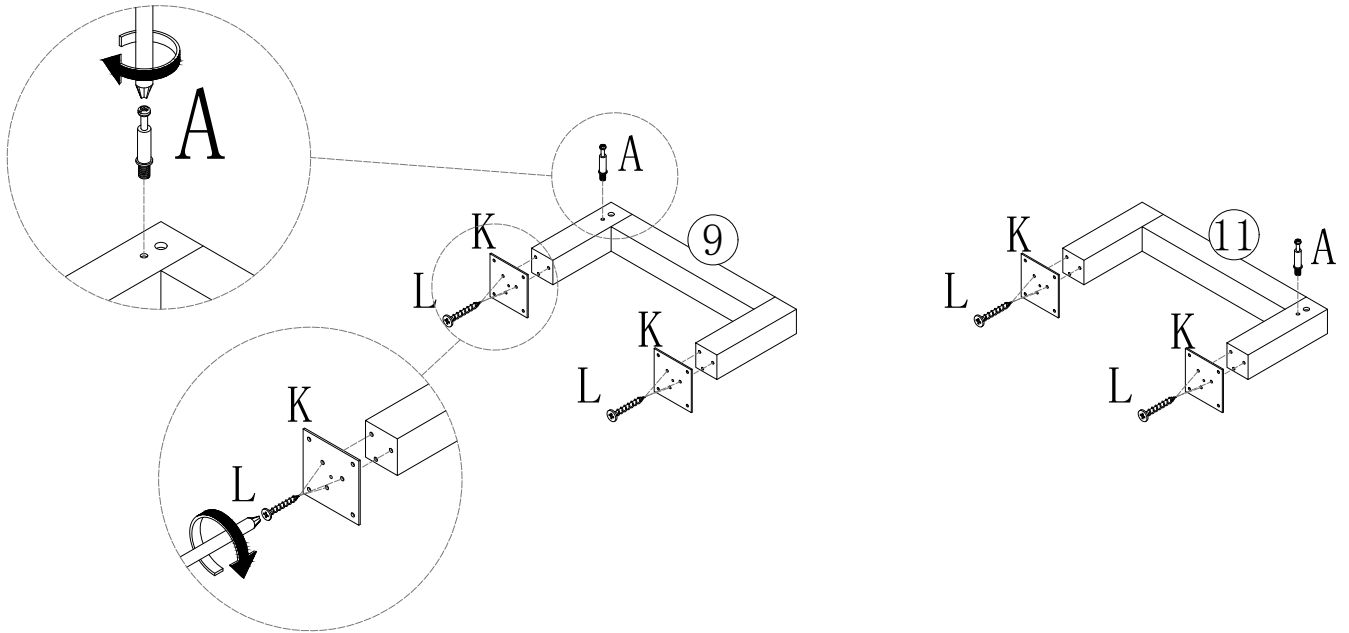
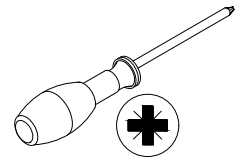
Step 8

A * 6  M6 X 35mm	C * 6  Ø8 x 30mm	B * 6  Ø15 x 12mm
---	---	--



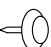


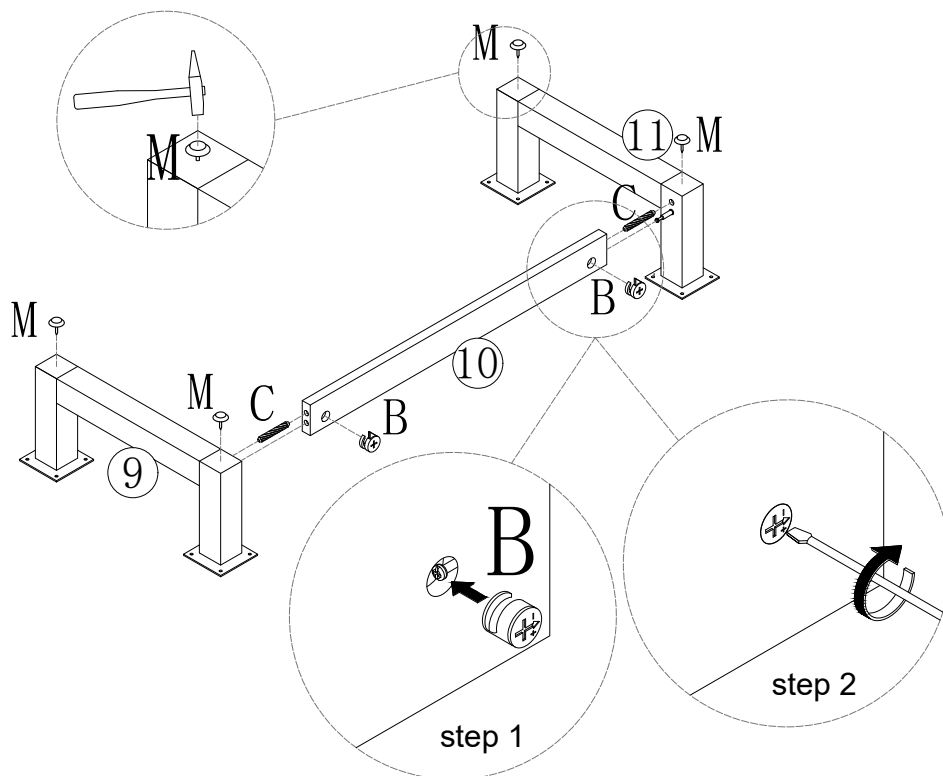
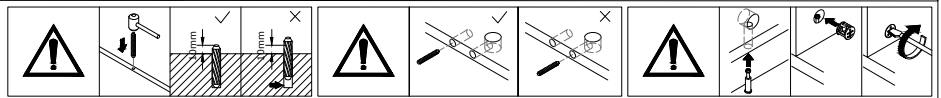
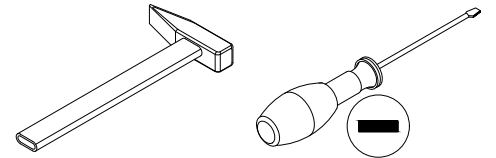
Step 9

A * 2	K * 4	L * 12
 M6 X 35mm		 M4 x 30mm



Step 10

B * 2	C * 2	M * 4
 Ø15 x 12mm	 Ø8 x 30mm	 Ø5 x 15mm

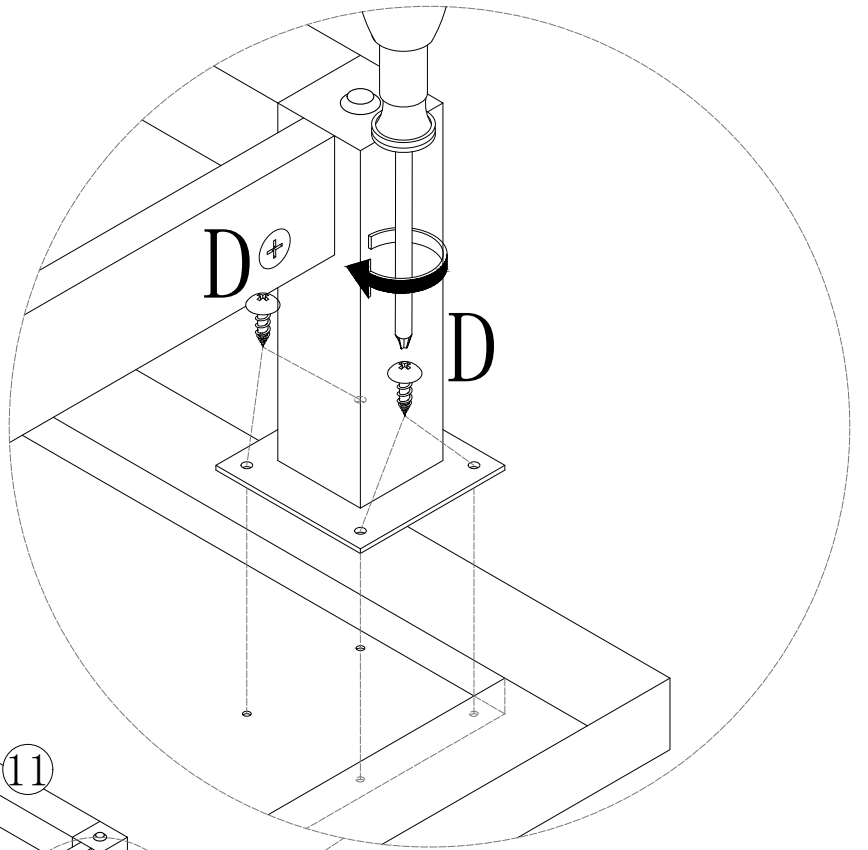
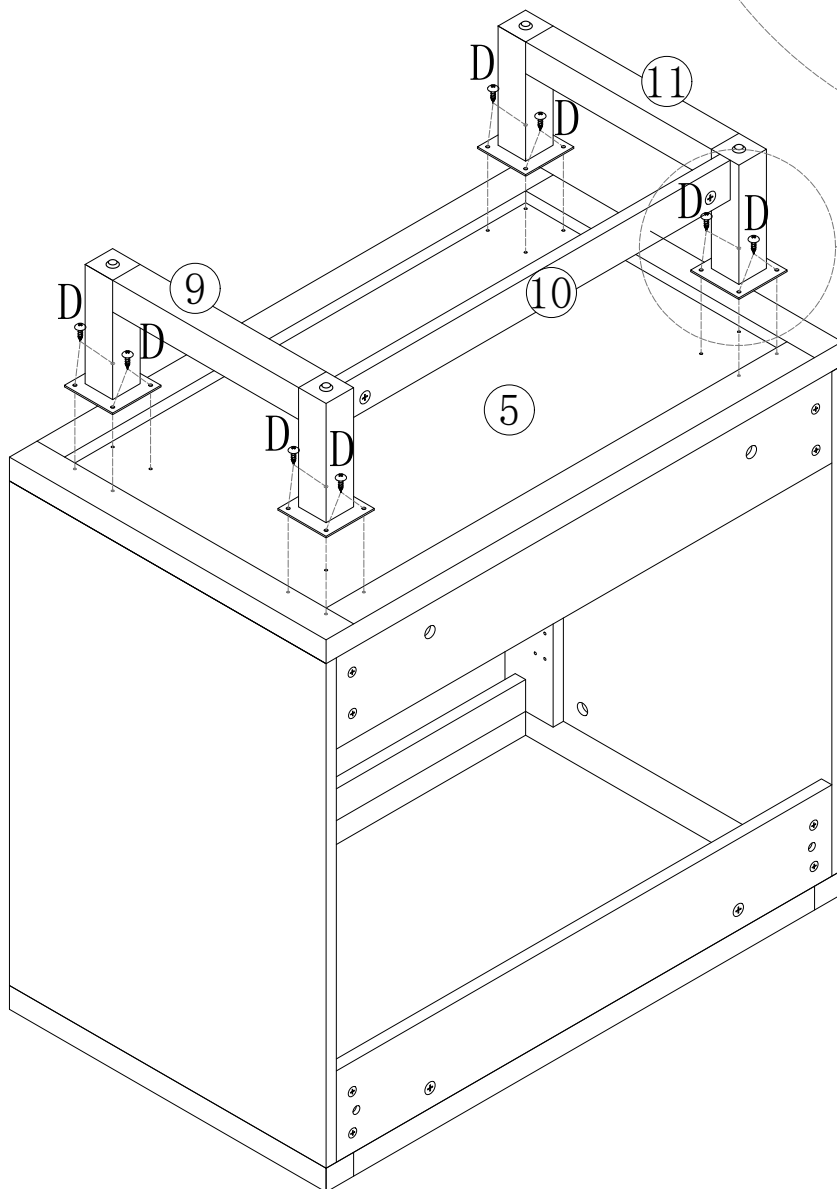
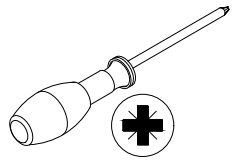


Step 11

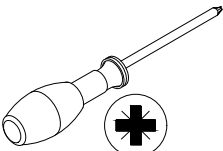
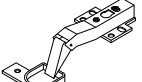
D * 16

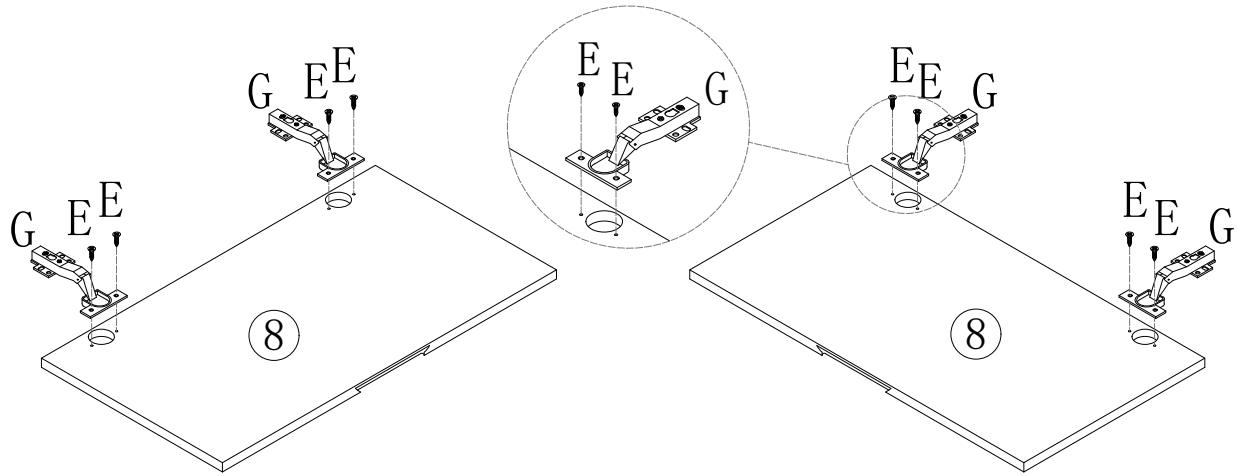


M4 x 14mm



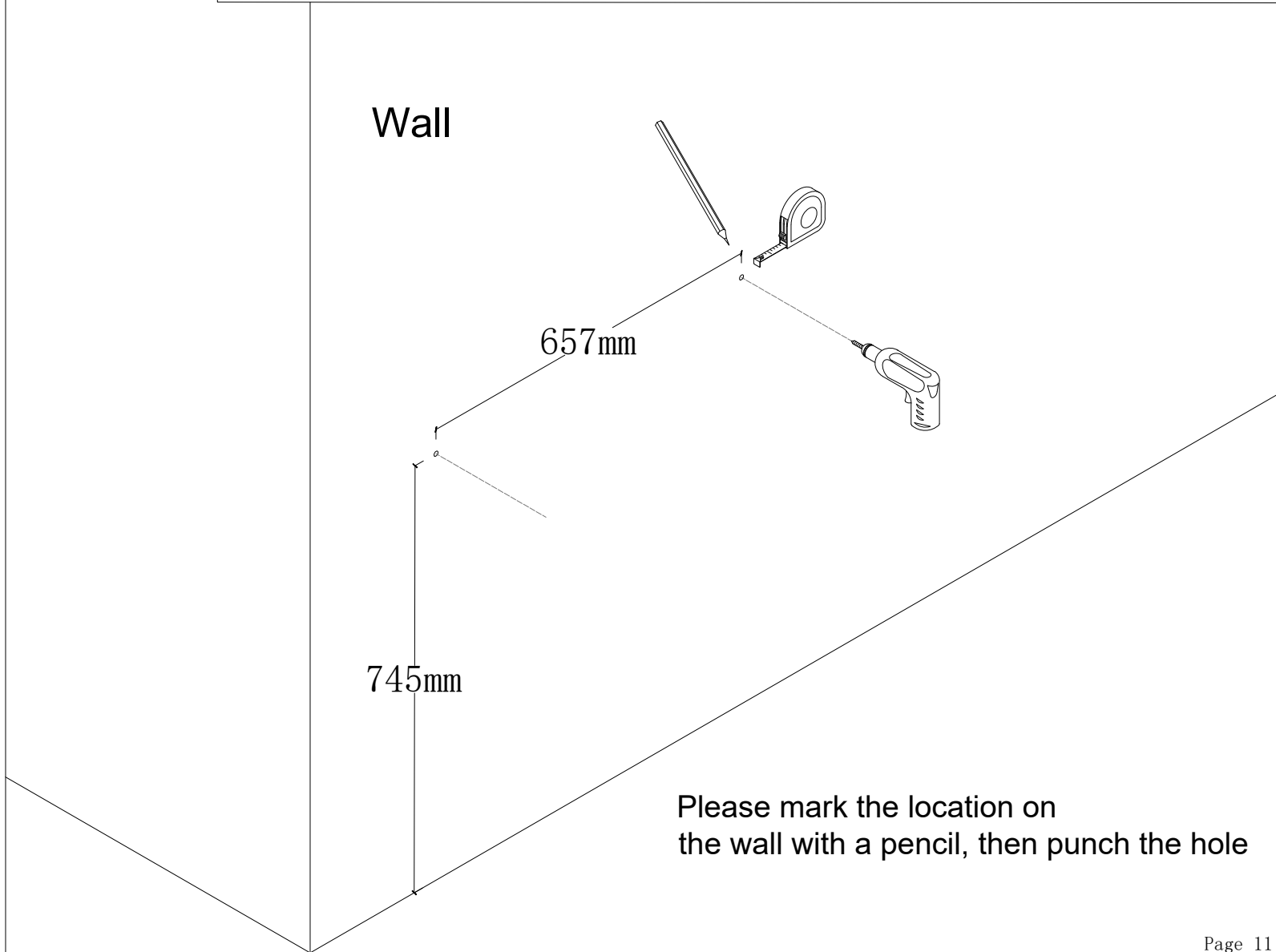
Step 12

E * 8	G * 4	
 M4 x 14mm	 Ø35	




Step 13

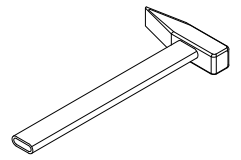
		



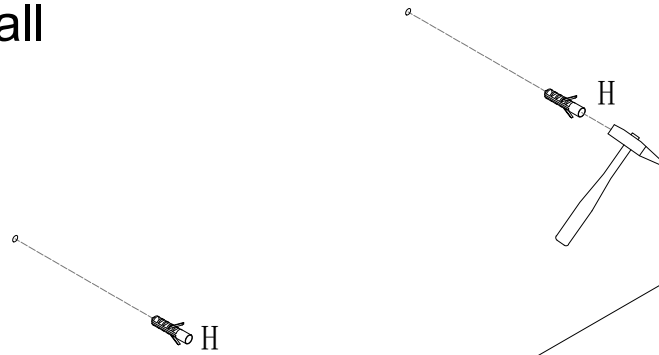
Please mark the location on the wall with a pencil, then punch the hole

Step 14



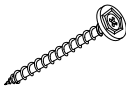
H * 2

Ø8 x 40mm

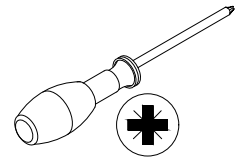


Wall

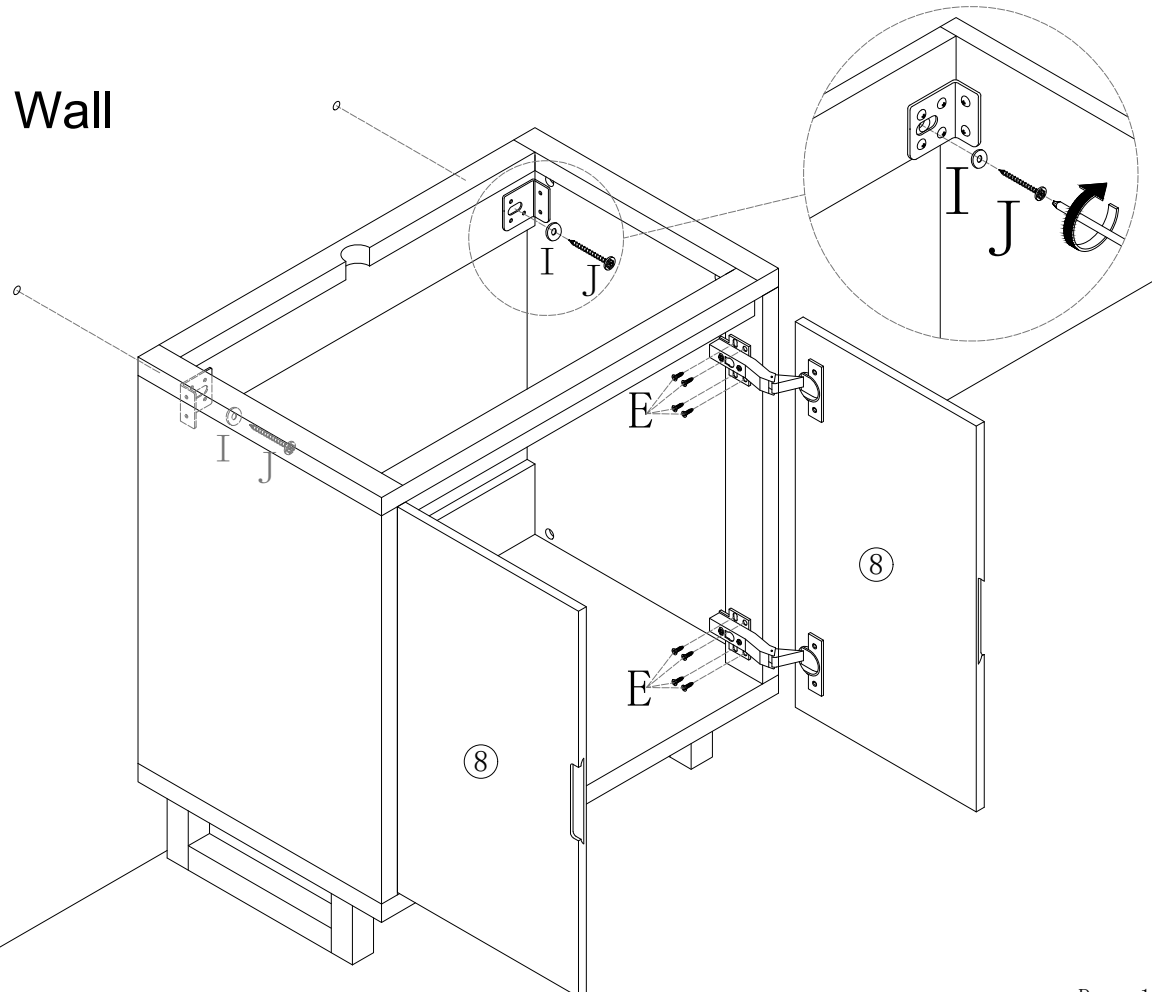


Step 15

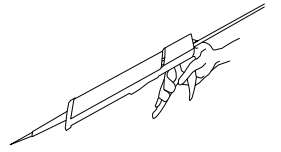
E * 16	I * 2	J * 2
		
M4 x 14mm	Ø20	M6 x 60mm



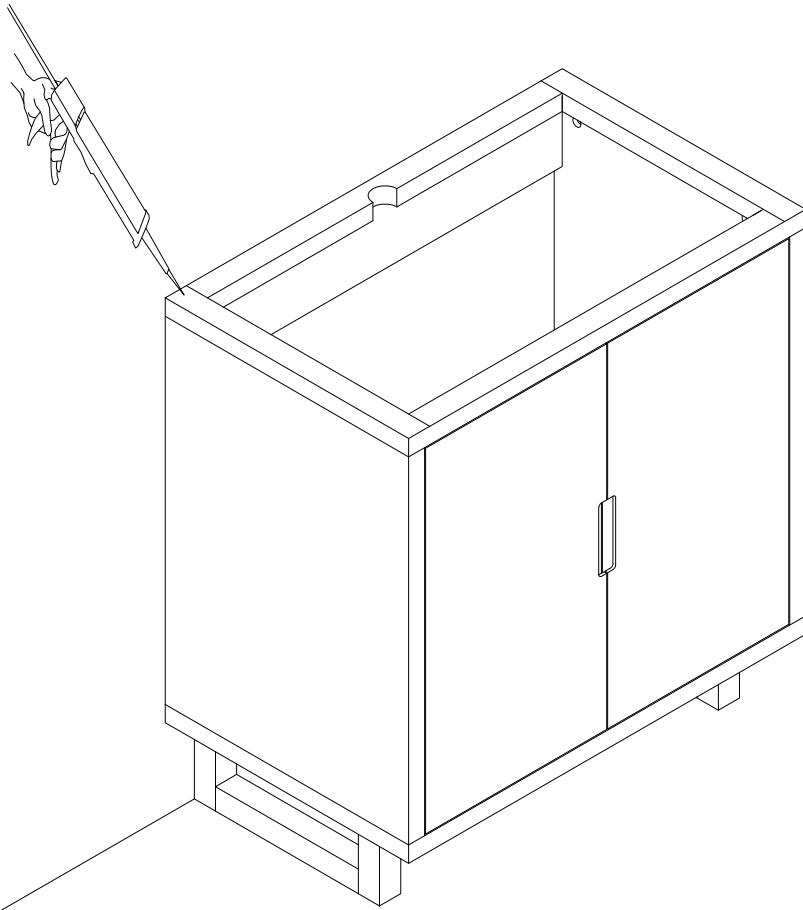
Wall



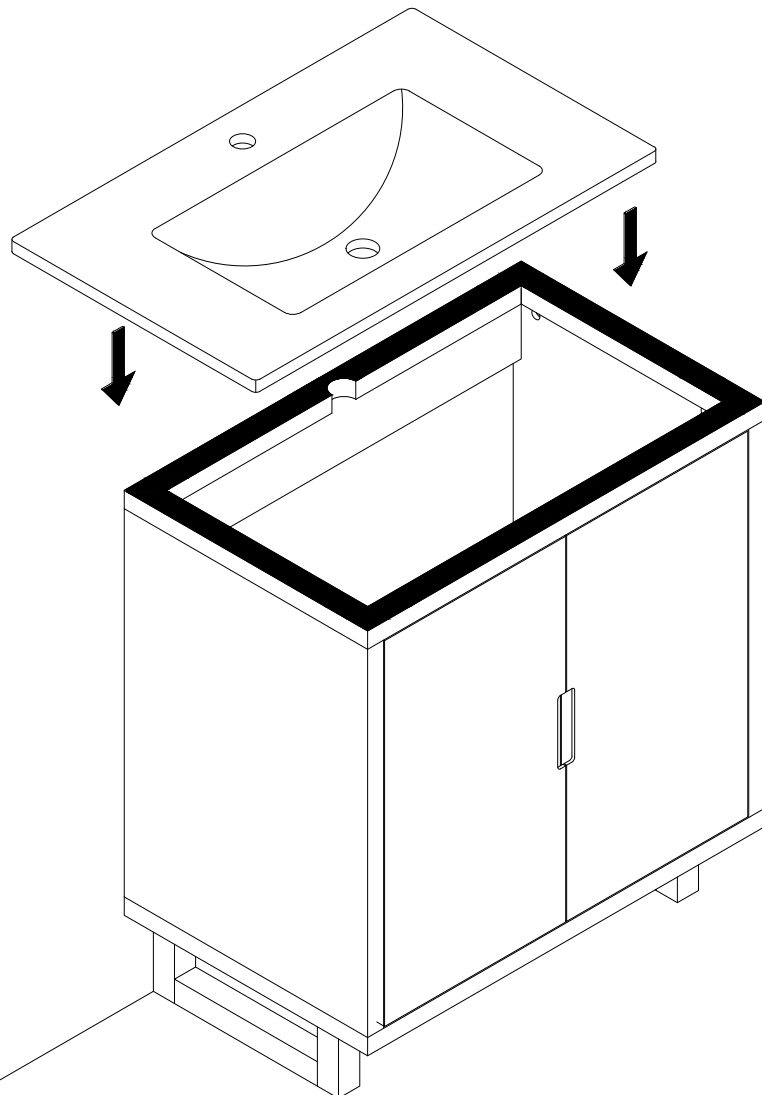
Step 16



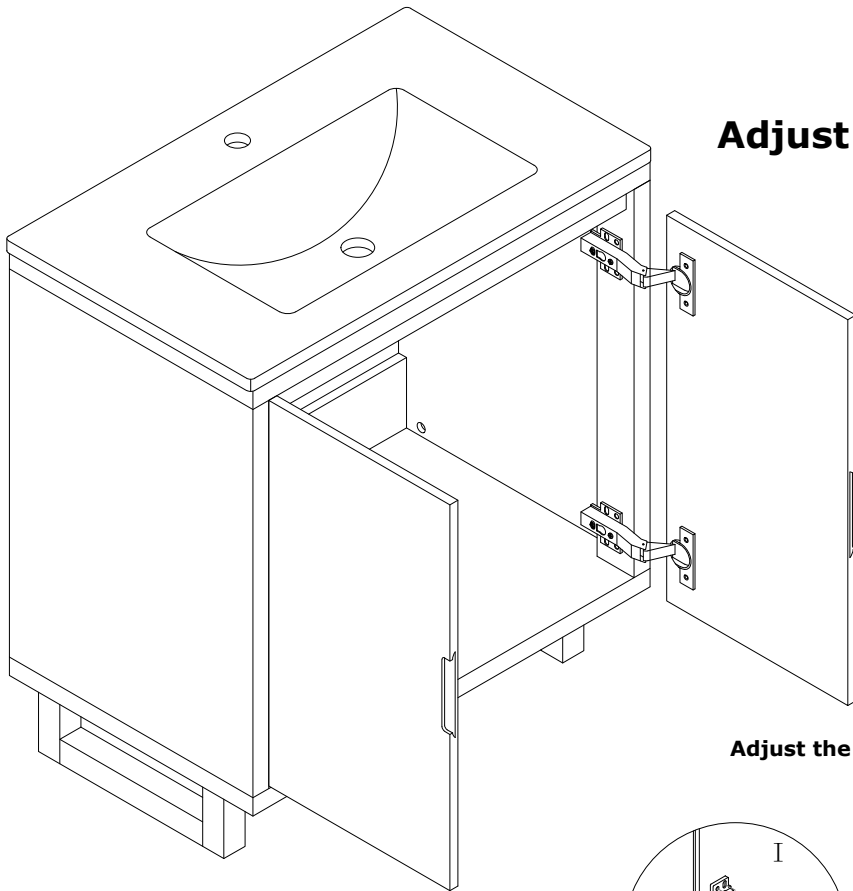
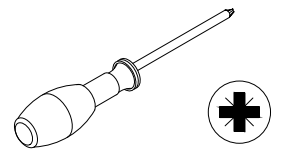
Wall



Wall

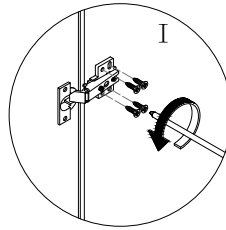


Step 17

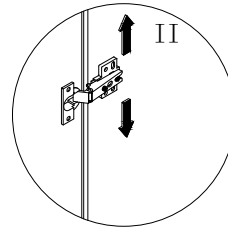


Adjust door following the direction.

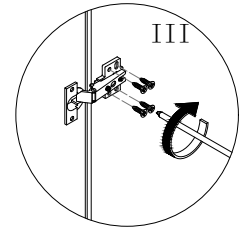
Adjust the door up and down to match the cabinet.



I:loosen the screw.



II:Adjust the upper and lower position.

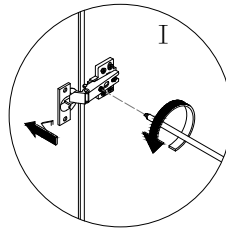


II:tighten the screw.

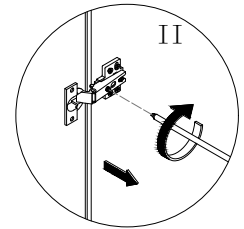


When the door position is not standard,please adjust the door according to the right picture.

Adjust the door left and right to match the cabinet for suitable crack of the door



I:loosen the screw to keep hinge apply force toward the direction of arrow.

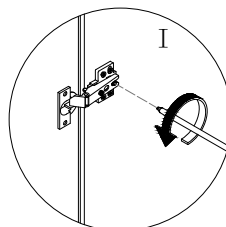


II:tighten the screw to keep hinge apply force toward the direction of arrow.

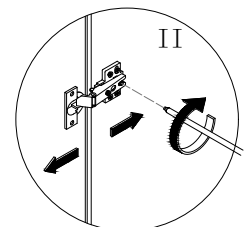


Please place the cabinet on the flat floor before adjustment.

Adjust the door backwards and forwards to match the cabinet.



I:loosen the screw.



II:Adjust the distance between front and back.

Step 18

