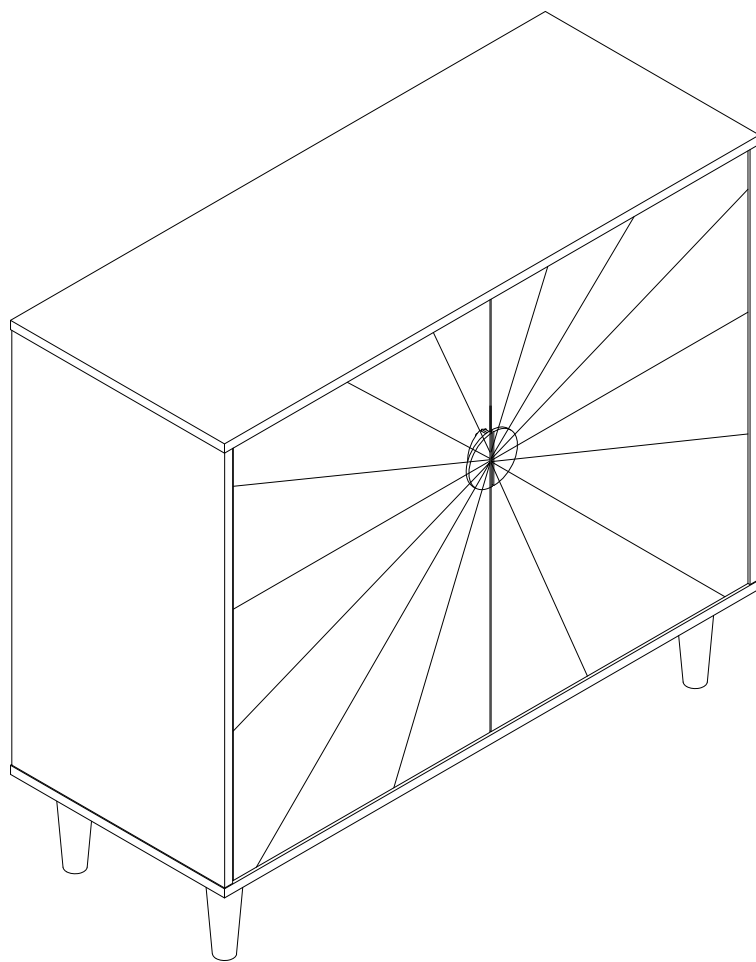
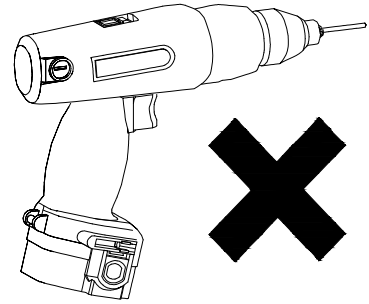
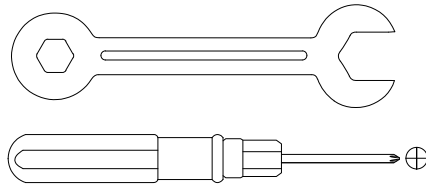
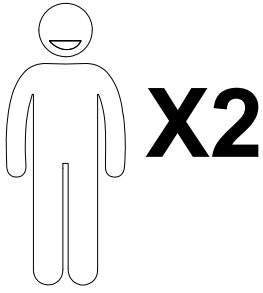


Mid-Century Sideboard

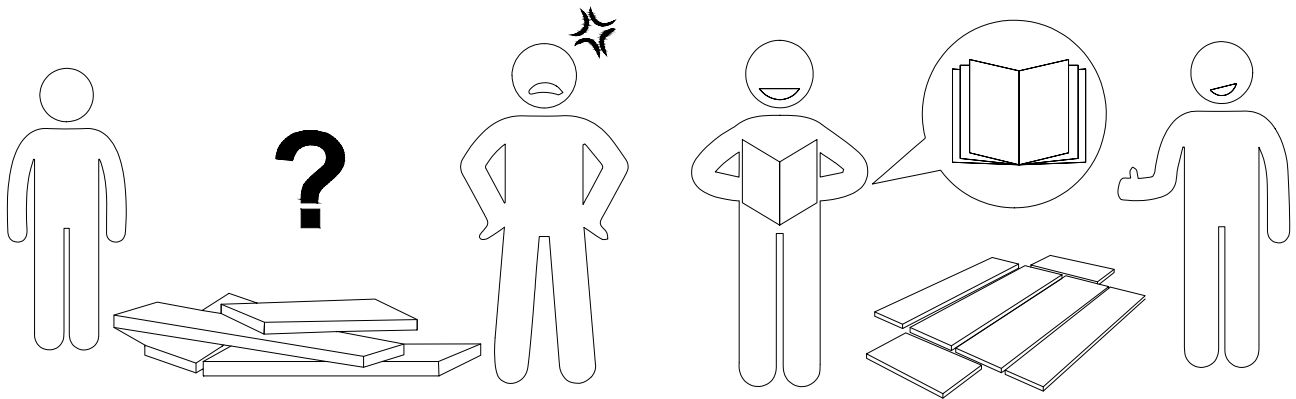


BG-01



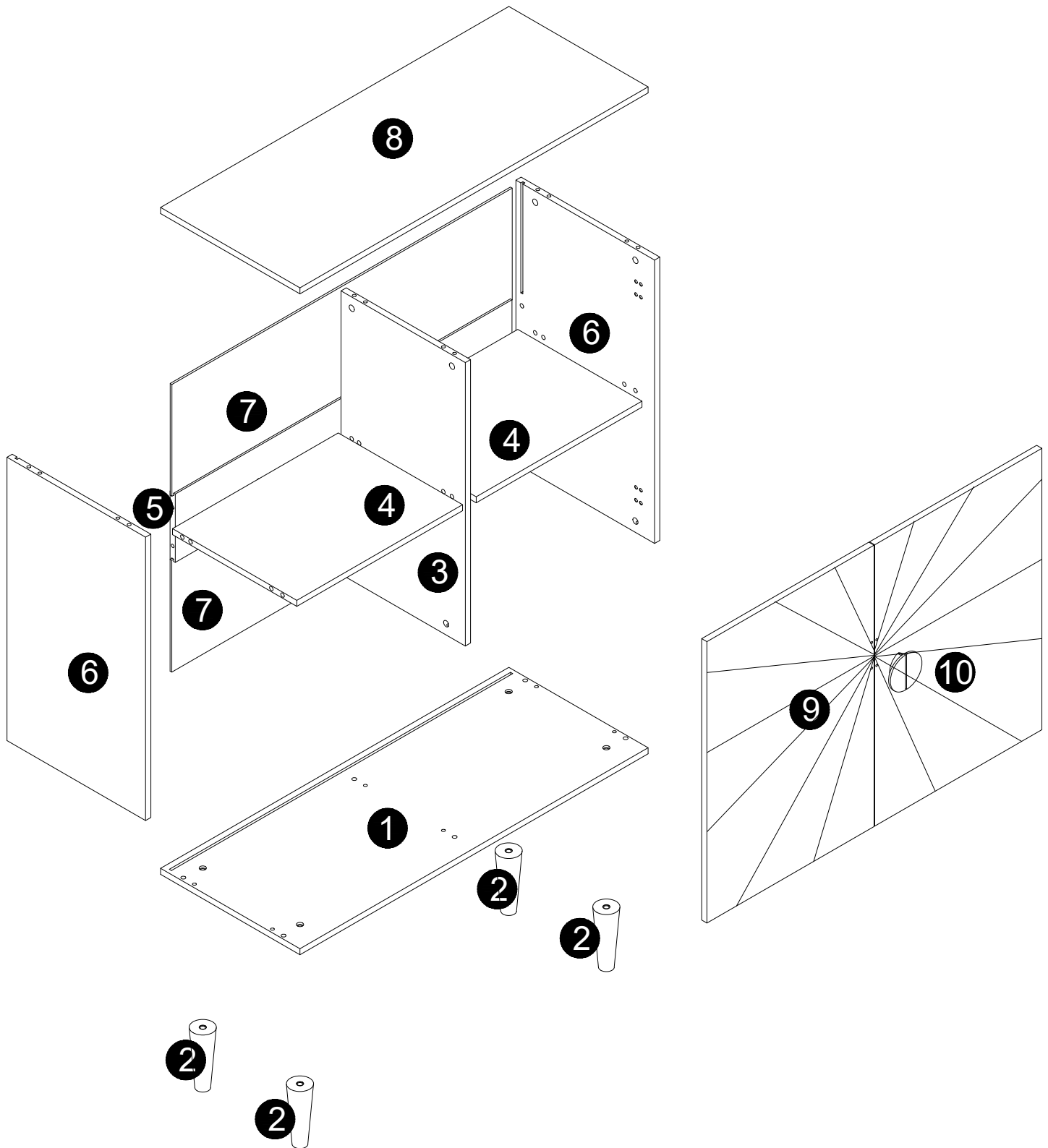
We recommend using hand tools for assembly.

If an electric screwdriver is used, reduce power and torque to avoid damage to the product.



Warm Tips

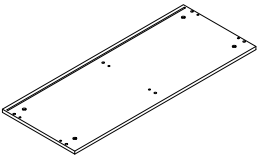

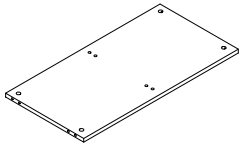
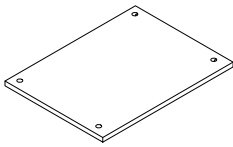
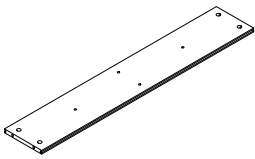
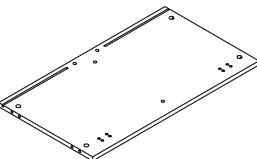
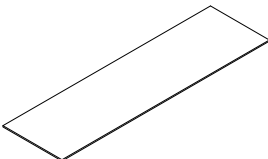
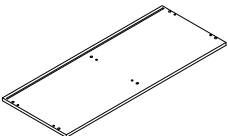
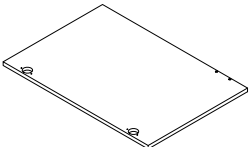
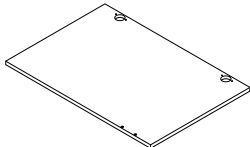
1. Carefully read these instructions and keep them for future reference.
2. Check the parts list and confirm everything's there before starting assembly.
3. When assembling, put all parts on a soft, smooth surface like a carpet to avoid scratches.
4. Don't fully tighten screws until all parts are confirmed in place to avoid misalignment.




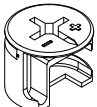
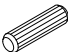
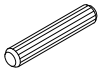
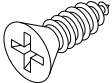



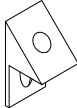

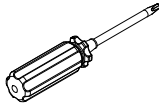
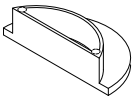

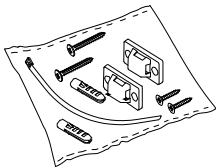
⚠ Caution

Make sure all parts are included. Most board parts are labeled or stamped on the raw edge. Contact us for a free replacement if you encounter any damaged or missing parts.

Parts List

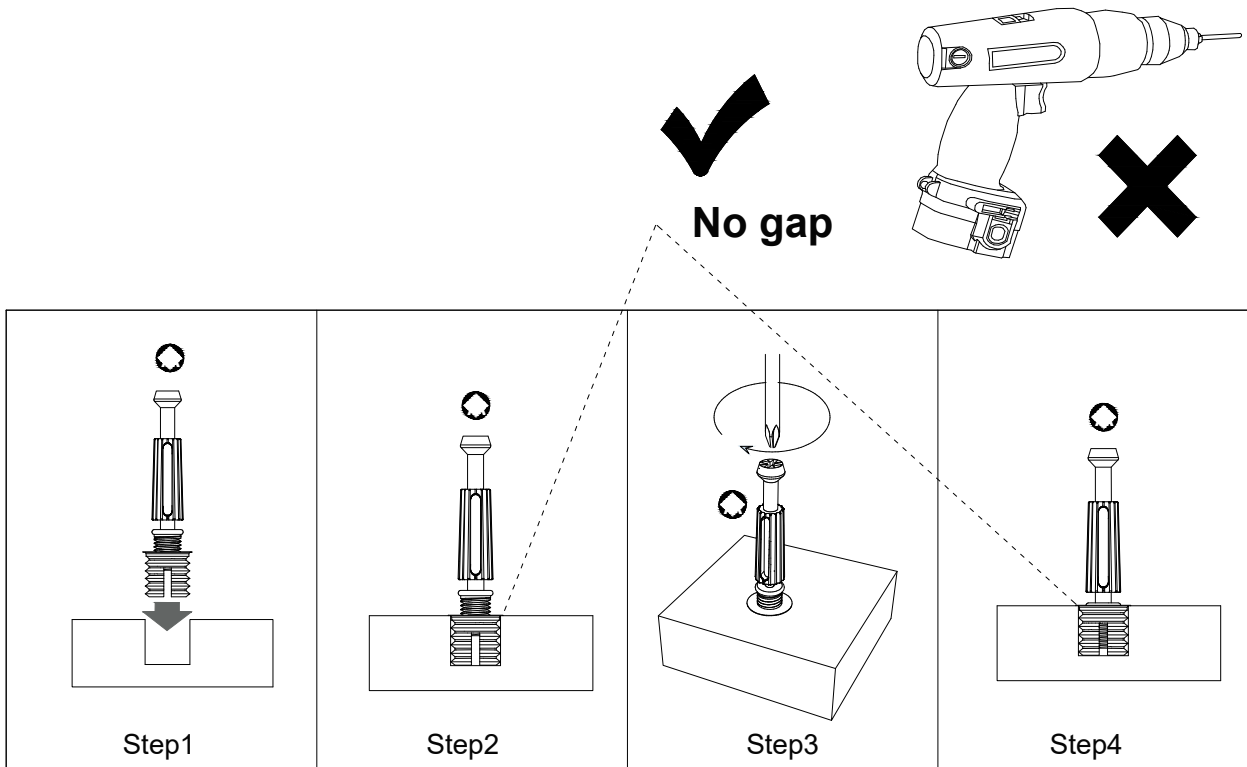
<p>1</p>  <p>1pc</p>	<p>2</p>  <p>4 pcs</p>	<p>3</p>  <p>1 pc</p>	<p>4</p>  <p>2 pcs</p>	<p>5</p>  <p>1 pc</p>
<p>6</p>  <p>2 pcs</p>	<p>7</p>  <p>2 pcs</p>	<p>8</p>  <p>1 pc</p>	<p>9</p>  <p>1 pc</p>	<p>10</p>  <p>1 pc</p>

Hardware List

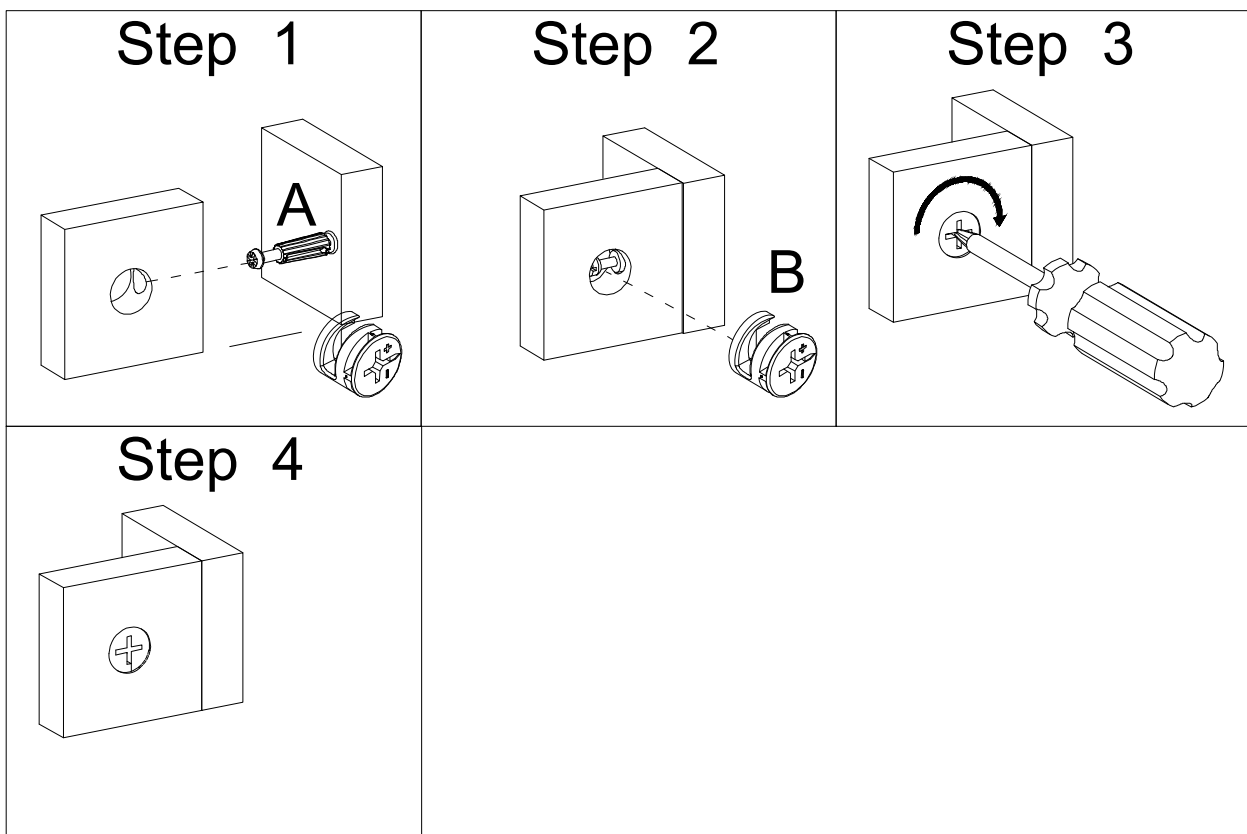
A	B	C	D	E	F
 <p>M6X35mm</p>	 <p>Ø15x12mm</p>	 <p>Ø8x30mm</p>	 <p>Ø8x40mm</p>	 <p>Ø3.5x14mm</p>	 <p>Ø8*30mm</p>
20 pcs	24 pcs	16 pcs	2 pcs	32pcs	4 pcs
G	H	I	J	K	M
 <p>M6X35mm</p>	 <p>M7X38mm</p>			 <p>Screwdriver</p>	
4 pcs	4 pcs	8 pcs	4 pcs	1 pc	2 pcs
N	O				
 <p>Ø4x20mm</p>					
4 pcs	1 pc				

Installation of Cams and Pins

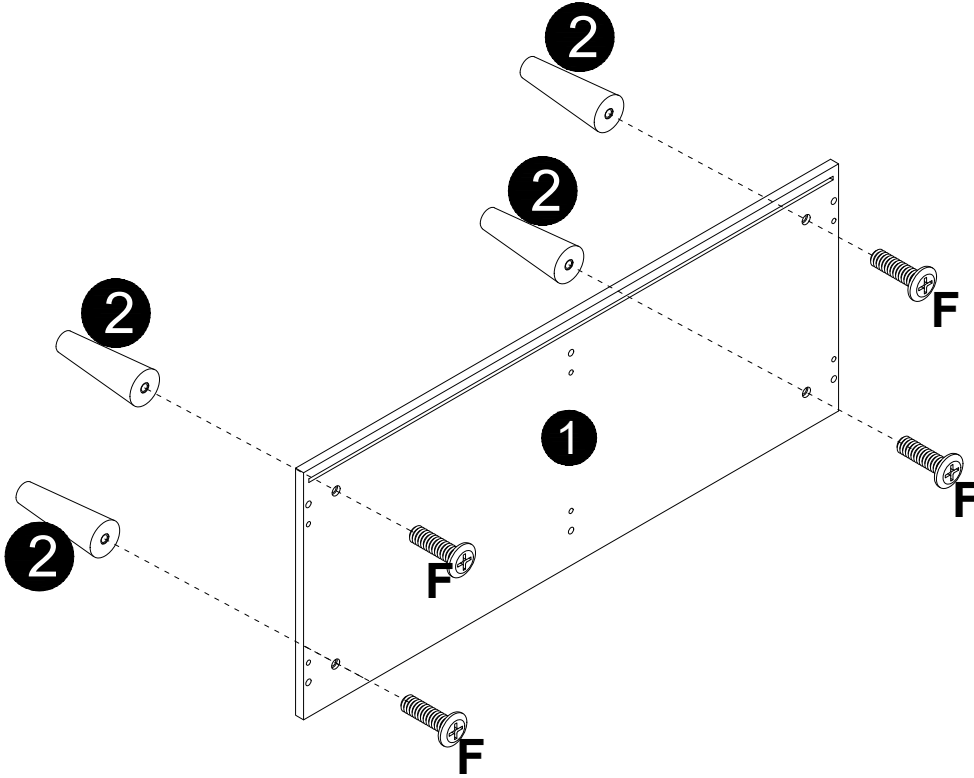
Read each step carefully before starting. Each step of instruction should be performed in the correct order. If these steps are not followed in sequence, assembly difficulties may occur.




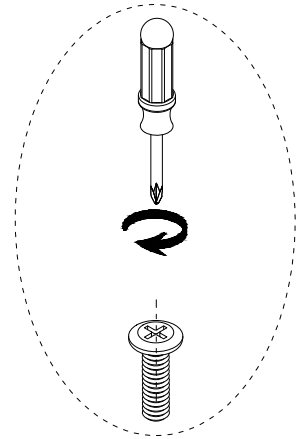
Screw the pin into the hole. Set the cams correctly by aligning the head of the cams with the lock pins. Lock the cam by turning the cam head with a screwdriver until it is tightened. Please do not use an electric screwdriver to assemble the unit.



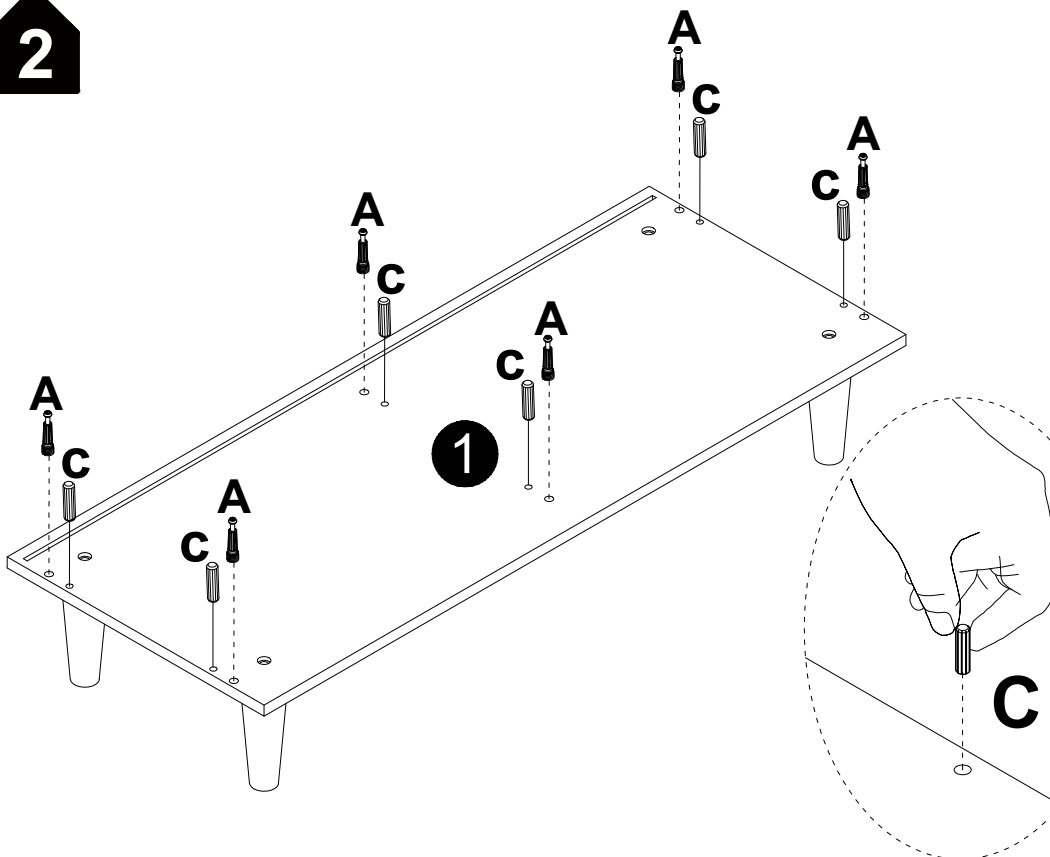
1


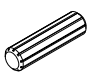


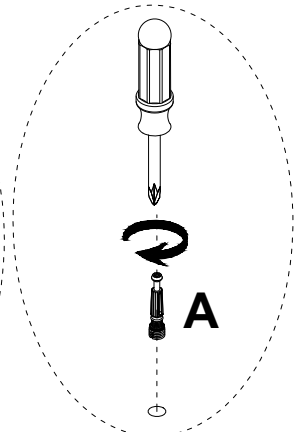
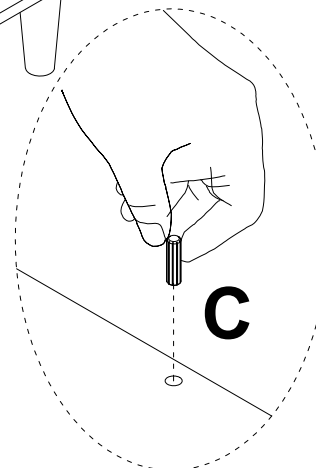
F
 Ø8x30mm
4 pcs




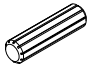
2



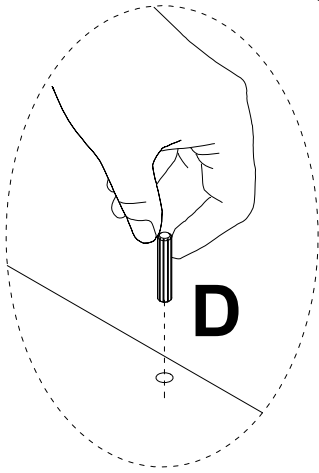
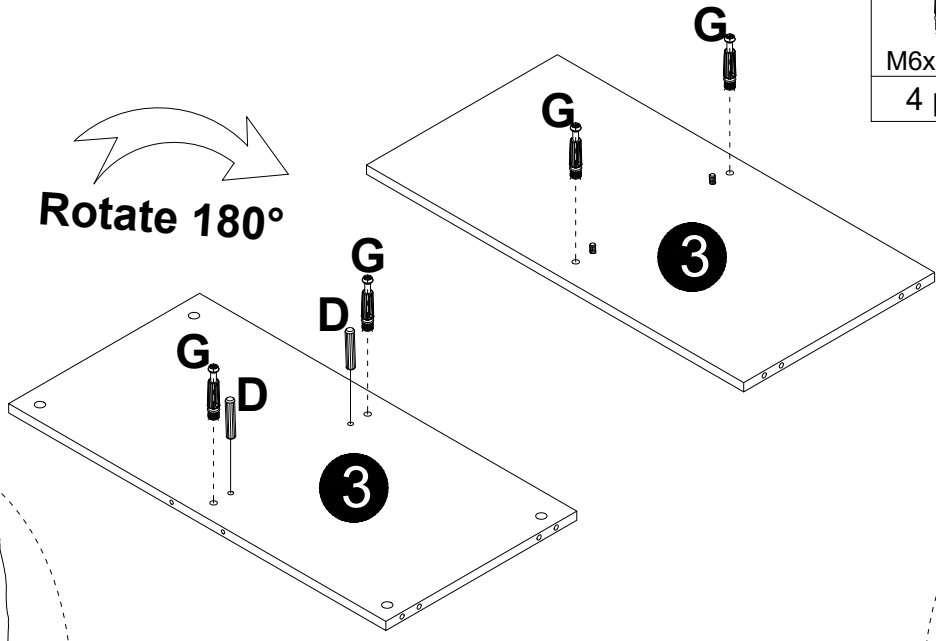
A	C
 M6x35mm	 Ø8x30mm
6 pcs	6 pcs



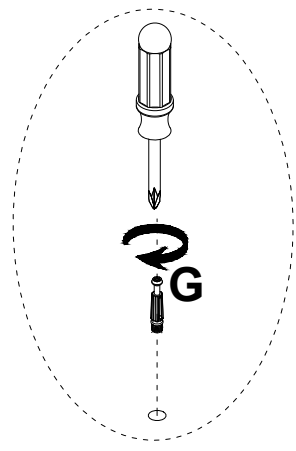
3

G	D
	
M6x35mm	Ø8x40mm
4 pcs	2 pcs


Rotate 180°

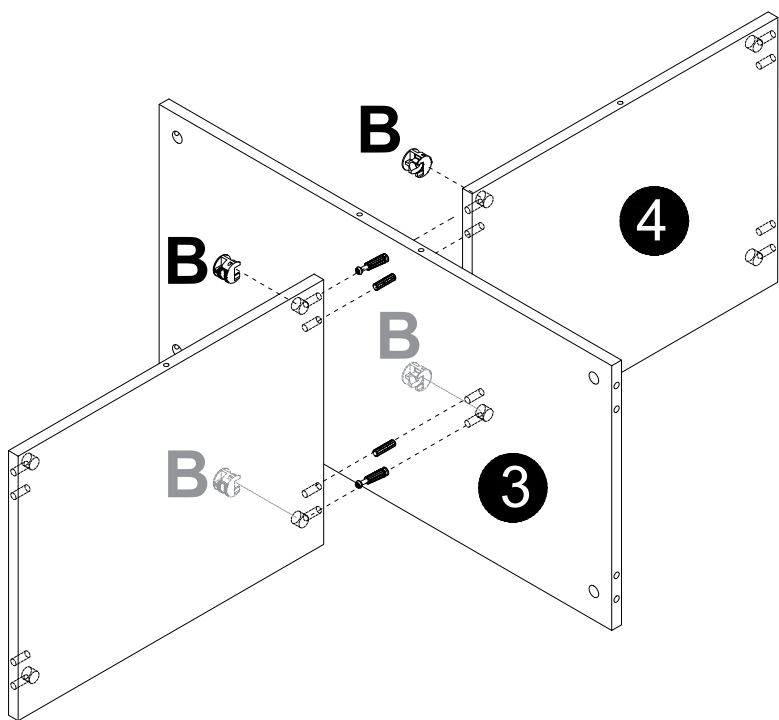
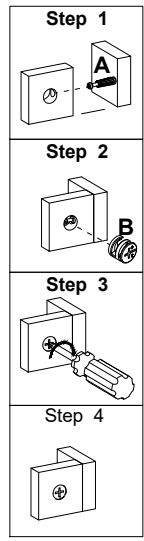


Tip: Serial No. 0 parts equidistant through the hole

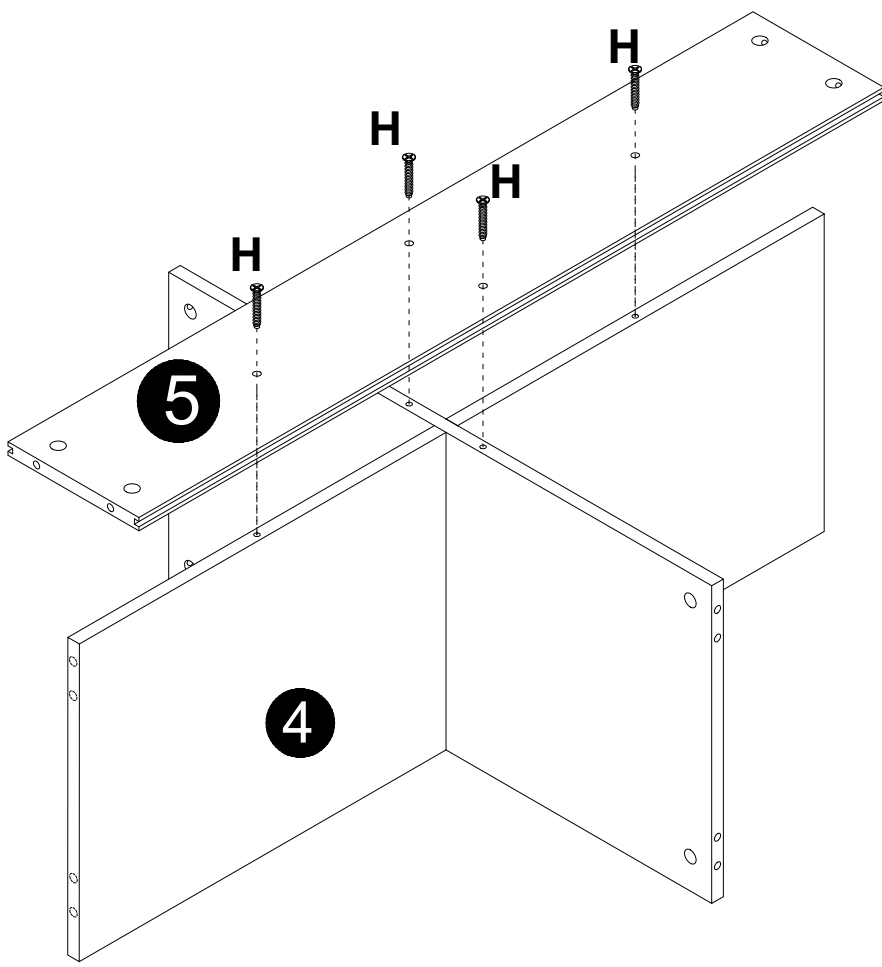


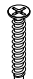
4

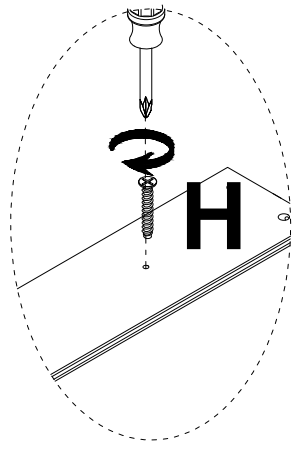
B

Ø15x12mm
4 pcs



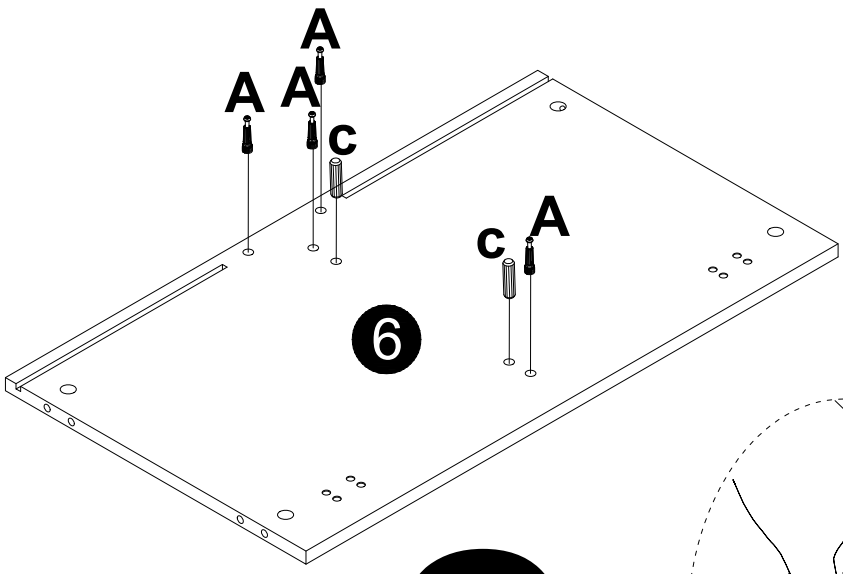
5


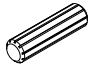


H

Ø7*38mm
4 pcs

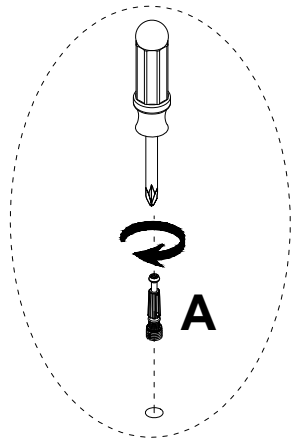
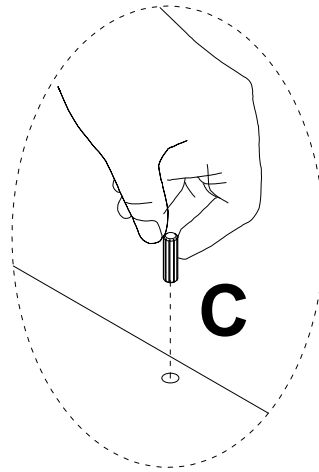


6




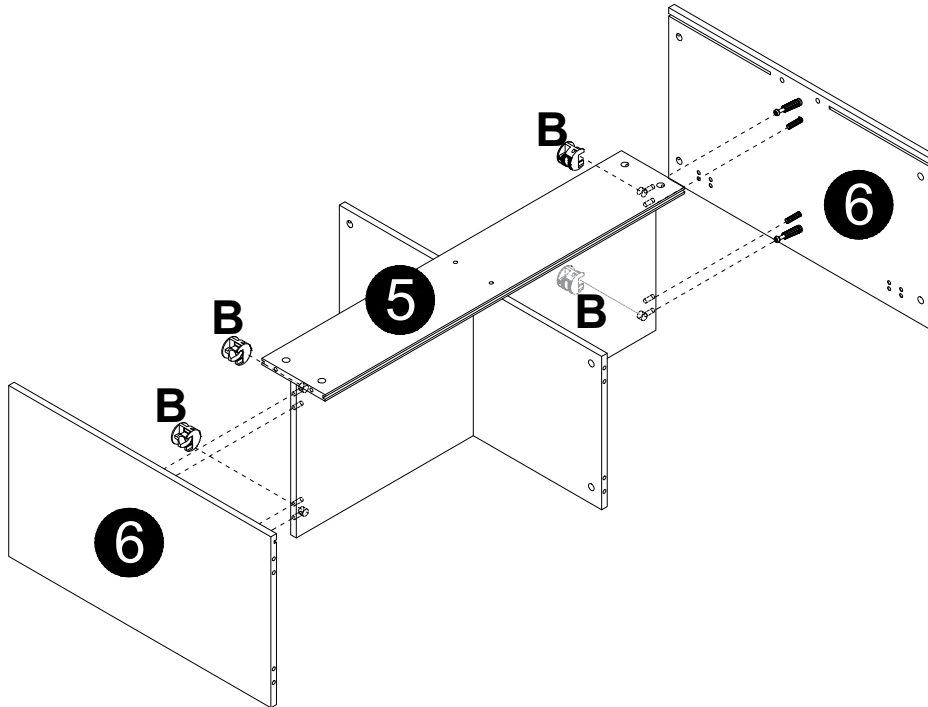
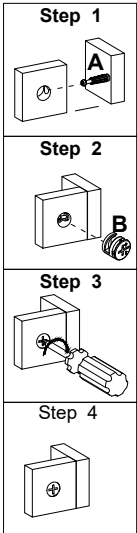
A	C
	
M6x35mm	Ø8x30mm
8 pcs	4 pcs

x2

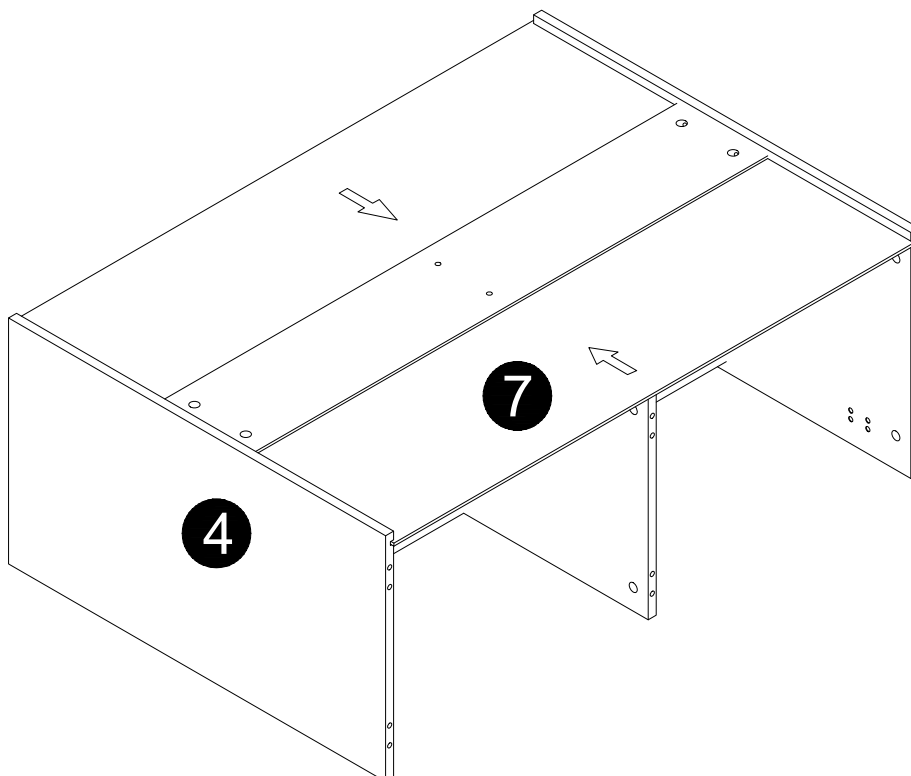


7

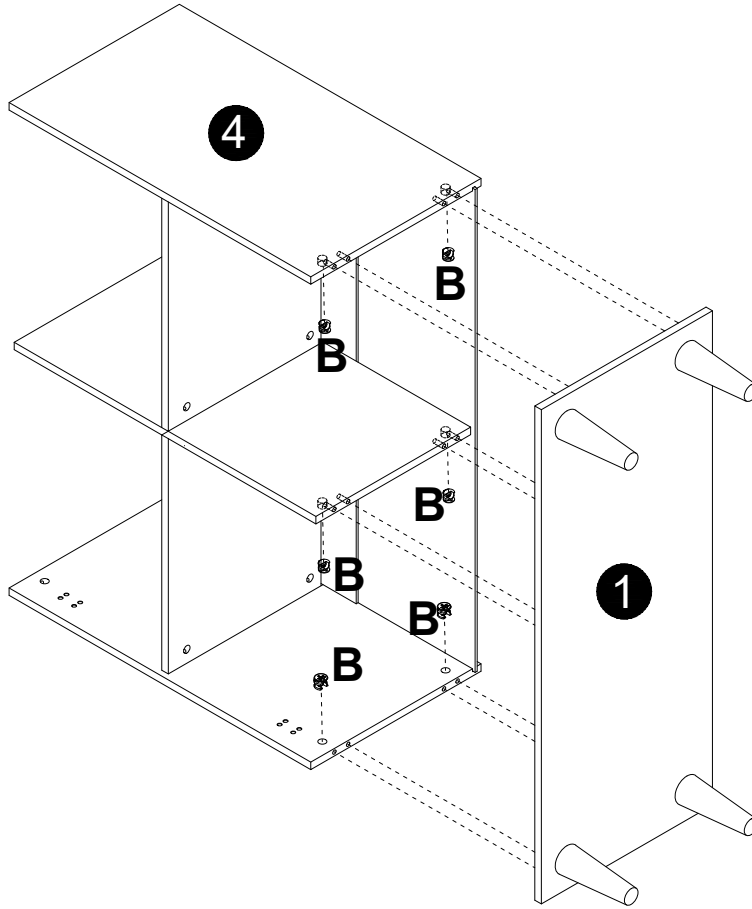
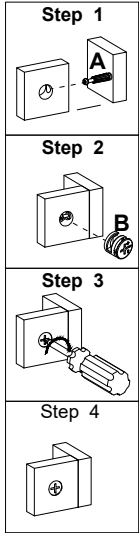
B

Ø15x12mm
4 pcs




8

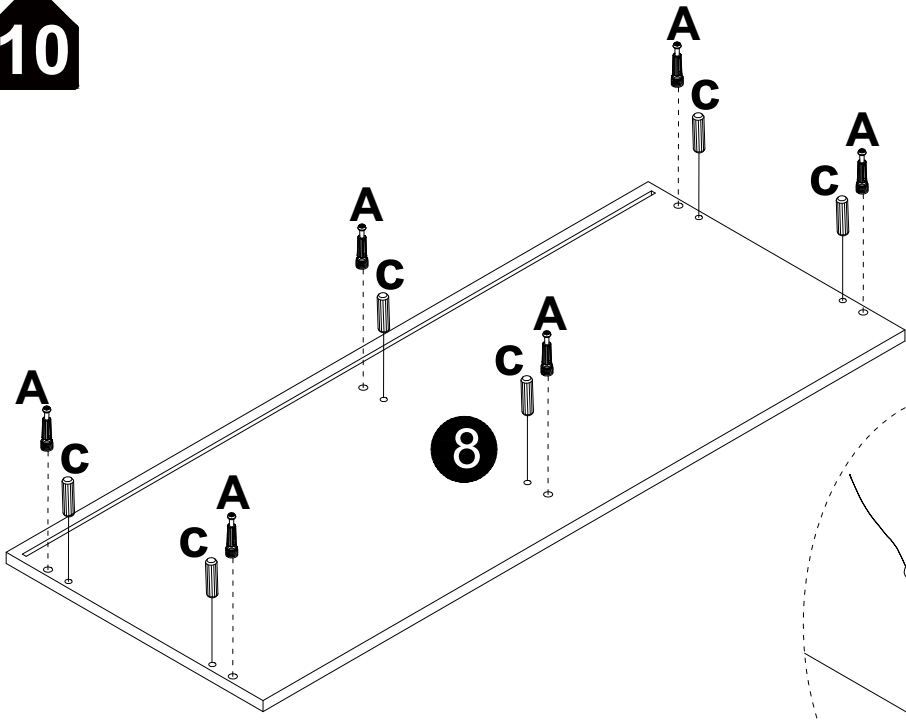



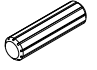
9

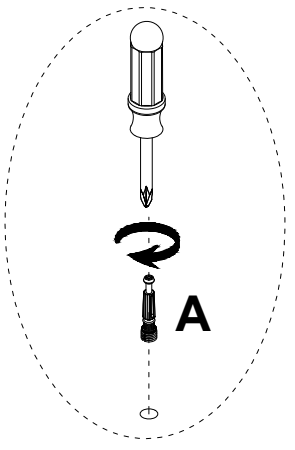
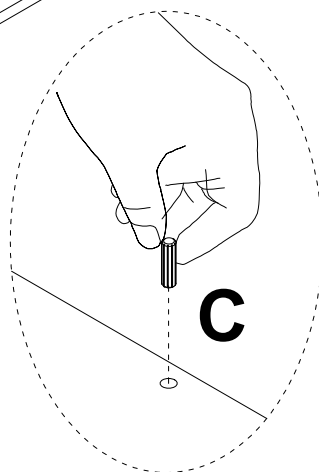


B

Ø15x12mm
6 pcs

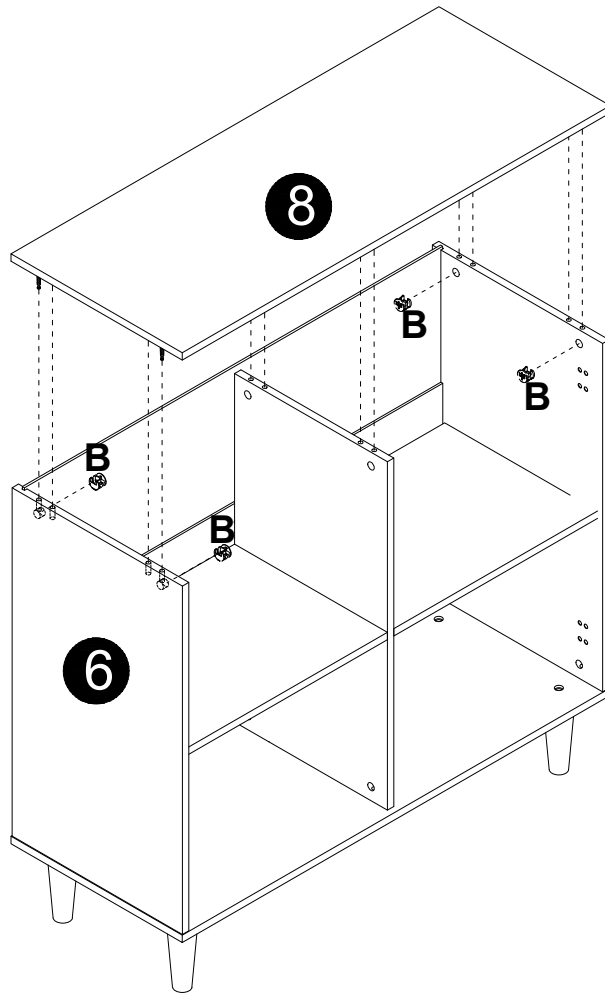
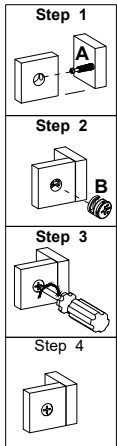
10




A	C
	
M6x35mm	Ø8x30mm
6 pcs	6 pcs

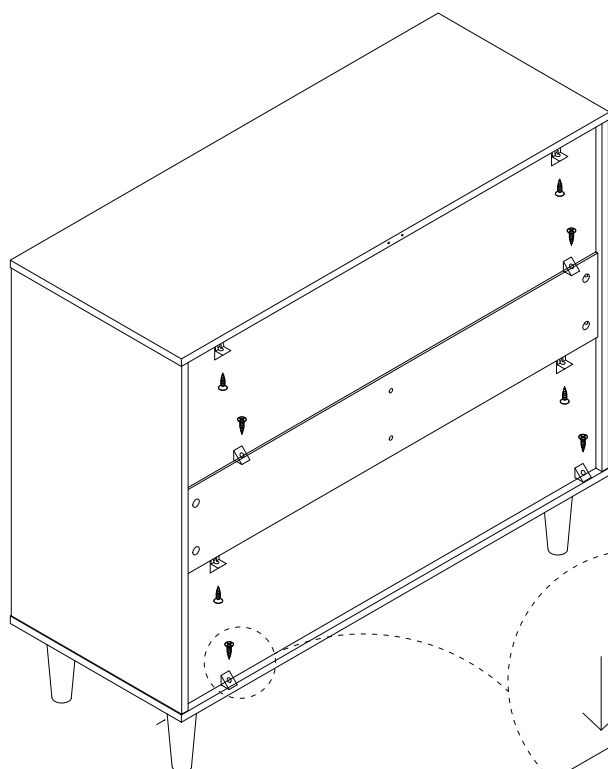


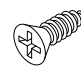
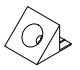
11



A
 Ø15x12mm
6 pcs

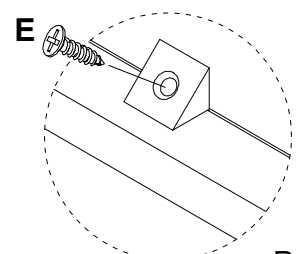
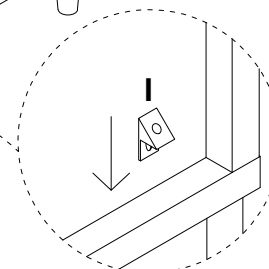
12



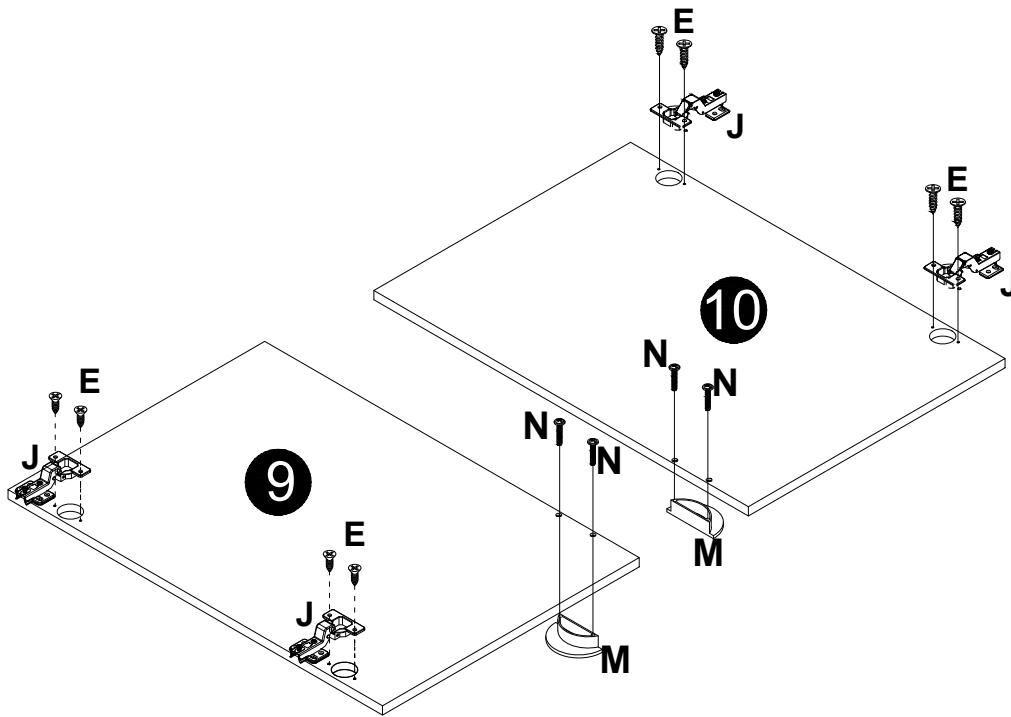
E	I
 Ø3.5x14mm	
8 pcs	8 pcs

Step 1

Step 2

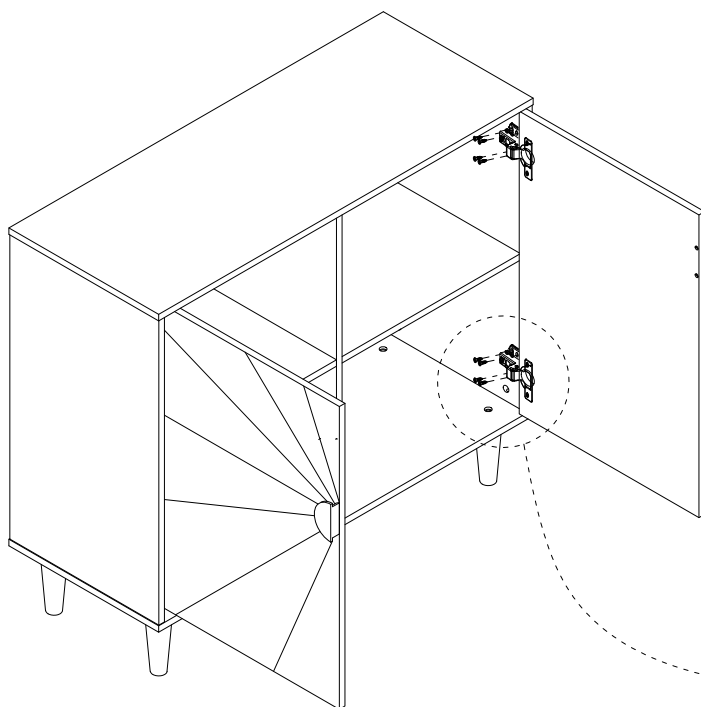


13

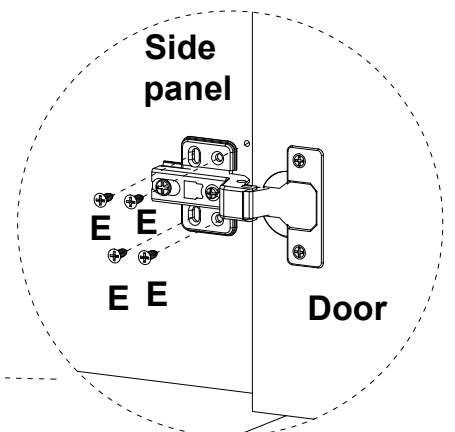


J	E
	 Ø3.5x14mm
4 pcs	8 pcs
M	N
	 Ø4x18mm
2 pcs	4 pcs

14



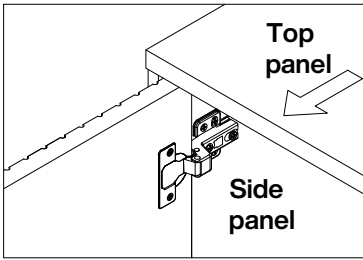
E
 Ø3.5x14mm
16 pcs



To prevent the door hinge from falling off, please install 4 screws

Step 1

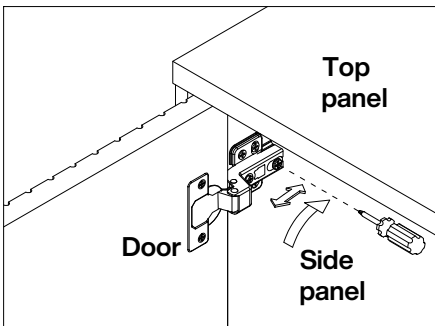
Open the door.



TO ADJUST YOUR DOORS TO MAKE THE GAPS MORE EVEN (OPTIONAL).

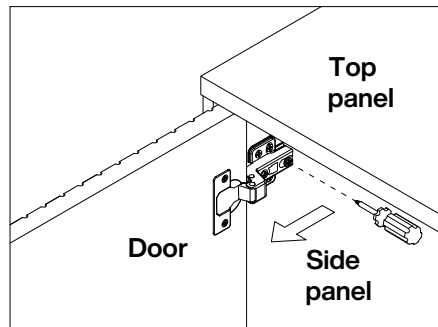
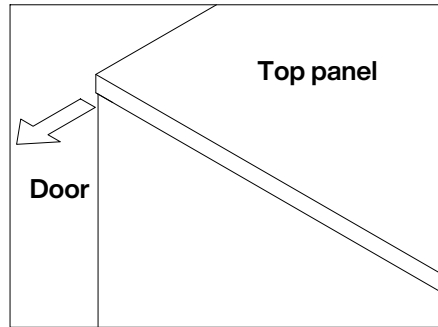
Step 2

Adjust the door panel to be flush with side panel and top panel edge.



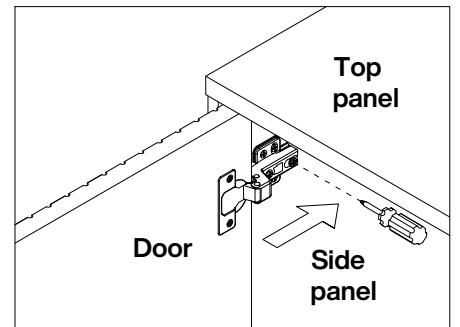
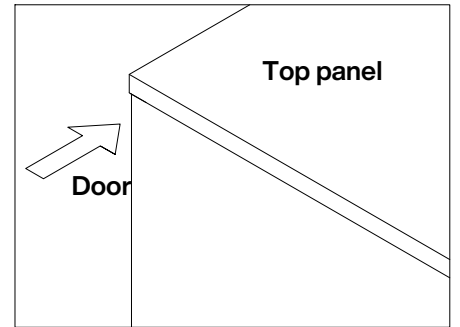
Loosen the screw indicated a little, adjust the hinge to right position (see step 2a & 2b), then tighten the screw.

Step 2a MOVE DOOR OUT



Pull the hinge forward a little.

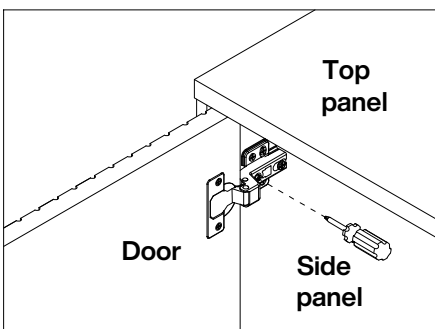
Step 2b MOVE DOOR INSIDE



Pull the hinge back a little.

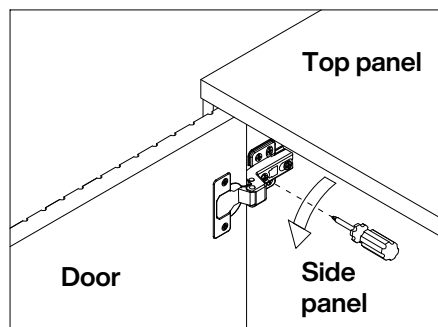
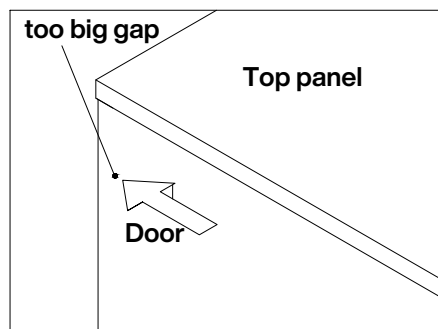
Step 3

Adjust the gap between door panel and side panel.



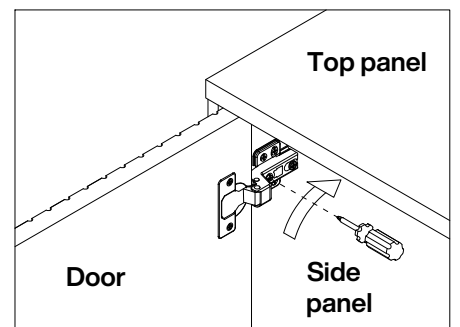
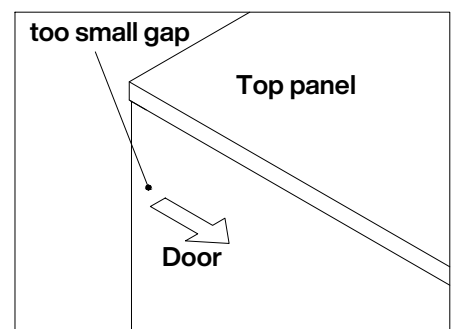
Loosen or tighten the screw indicated a little to adjust the gap between the door panels, adjust the hinge to right position (see step 3a & 3b).

Step 3a MOVE DOOR LEFT




Turn the screw clockwise a little as shown to make the gap small.

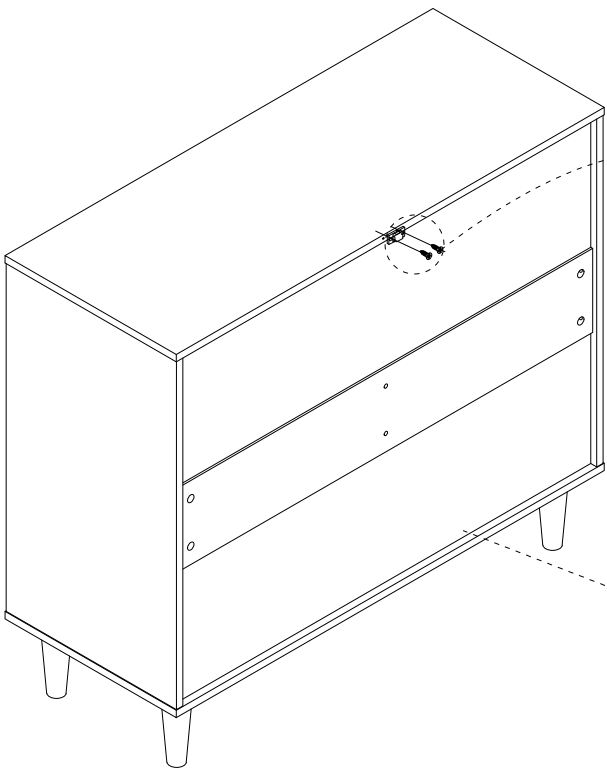
Step 3b MOVE DOOR RIGHT



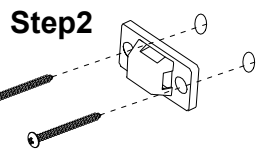
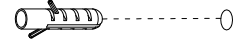
Turn the screw counterclockwise a little as shown to make the gap big.

28

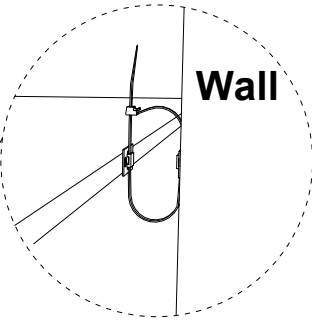
O

1 pc



Step1 **Wall**



Step3



Thank you for your support!

