

# BLANCO SUBLINE 350/350-U

Item No. BL450889

## Pros

---



The designer line for undermount installation in SILGRANIT® PuraDur® II

- Maximum bowl size provided by the very best in production and mounting technology
- Mounting involves no additional expense
- Undermount bowl for discerning demands on design
- Timelessly elegant, contoured bowl design
- Entire system for a wide variety of plans featuring large and small bowls
- Elegant and hygienic: the covered C-overflow®
- Optional accessories



## Colours

---



Available colours



white



tartufo



jasmine



coffee



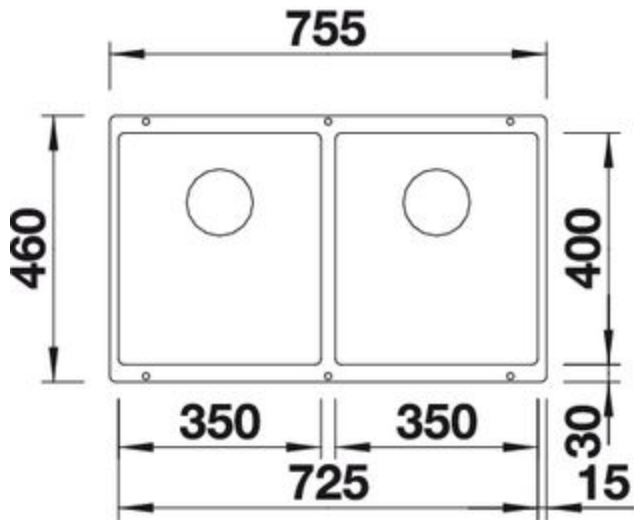
champagne

SILGRANIT® PuraDur®

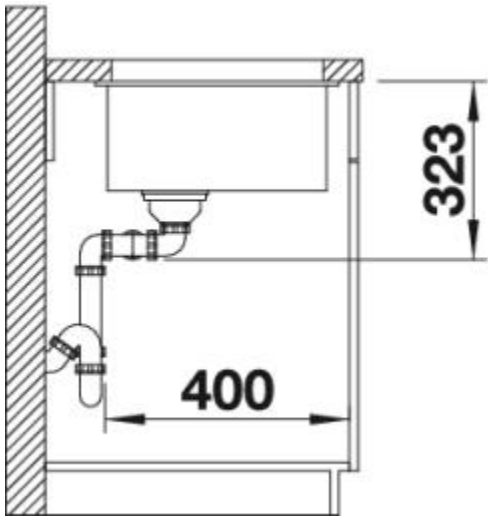
Item No. BL450889

## Details

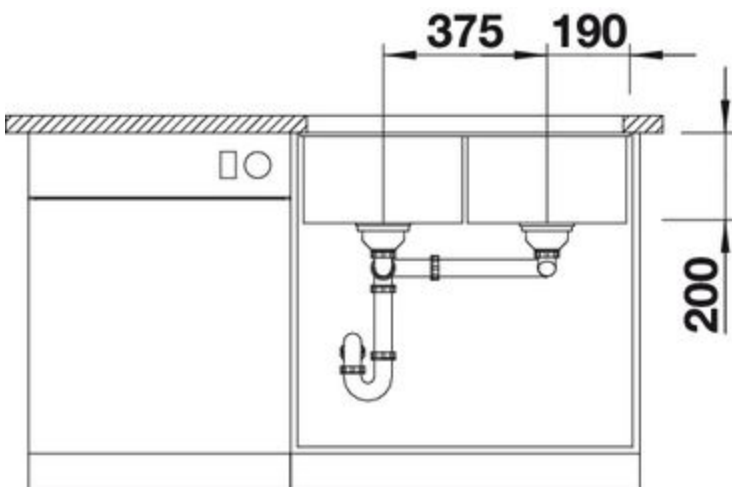
---



Top View



Side View



Front View

Scope of supply

---

two 3 1/2" basket strainers, pop-up waste for main bowl (drilling Ø 14 mm required), fixing kit 218 269 included

## Design tips

---

Cabinet Width: 80 cm  
Bowl depth: 200 mm / 200 mm  
Cut out size: 725 x 400 x R10

Universal handing  
Cut out information supplied with bowls.  
Cut out CNC files also available on [www.blanco.co.uk](http://www.blanco.co.uk) for download.

## Taps

---



**BLANCO LINEE-S**  
jasmin / chrome  
BM2200JA



**BLANCO OPERA**  
chrome  
BM6000CH



**BLANCO CULINA-S Mini**  
chrome  
BM4600CH

## Optional Accessories

---



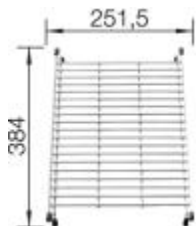
Chopping board  
BL230700



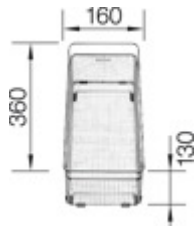
Cutting board  
BL227697



Colander  
BL227689



Floating grid  
BL233542



Colander  
BL223297



Outlet cover CapFlow®  
BL517666

BLANCO UK Limited

Tel: 01923 635200

Fax: 0800 0911608

➤ [www.blanco.co.uk](http://www.blanco.co.uk)