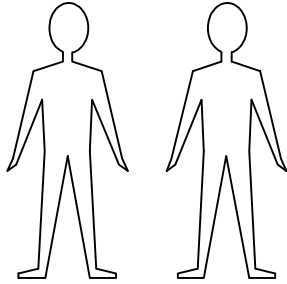


ASSEMBLY INSTRUCTION



CAUTION

1. This product requires 2 people for assembling.

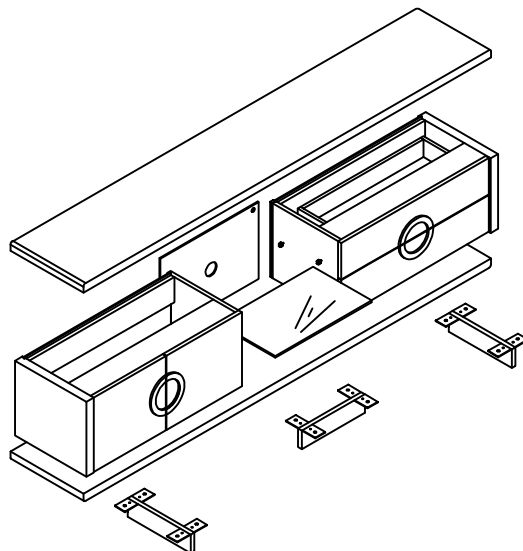


2. Assembling process should proceed on carpets, rug or empty cartons to prevent scratches or damages.

3. Make sure the product is completely assembled before using. If there have any hardware or components unfixed, do not use until you get them and assembled properly.

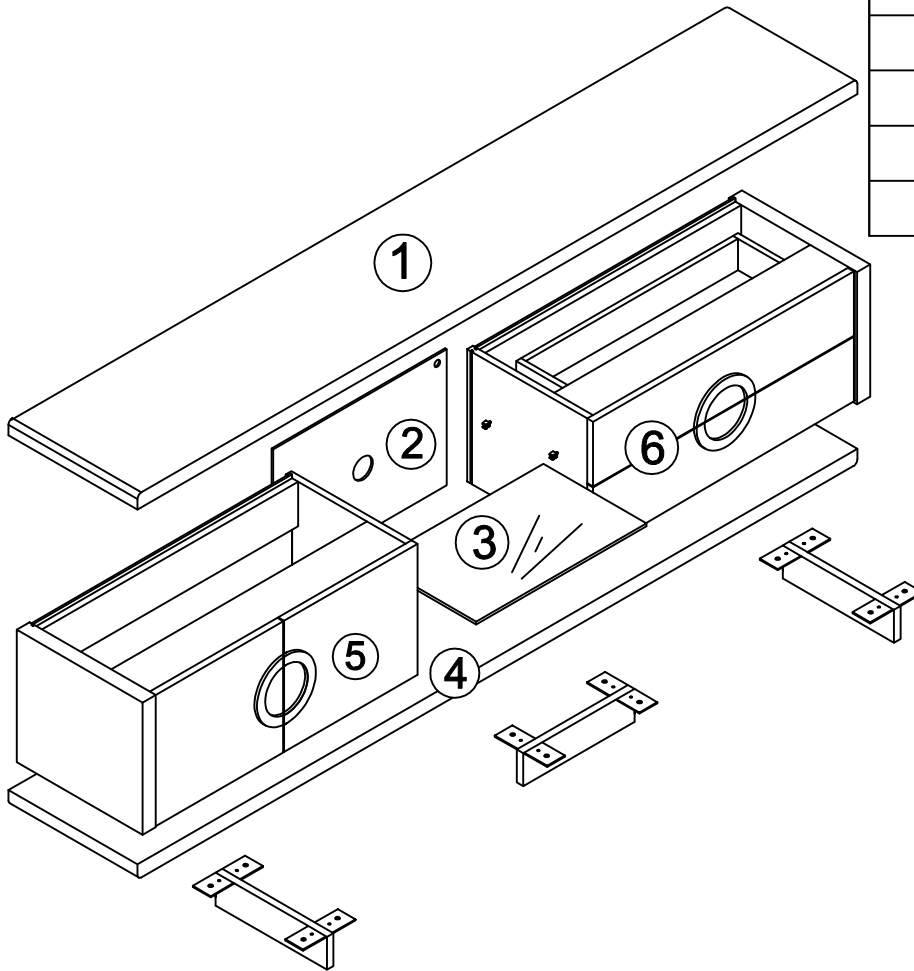
4. There have small components in the construction of this product. The loose components should be kept away from Children and pets to avoid any choking hazard.

5. There have plastic bags or thin films as packing material of this product, please keep away from children or pets to avoid suffocation

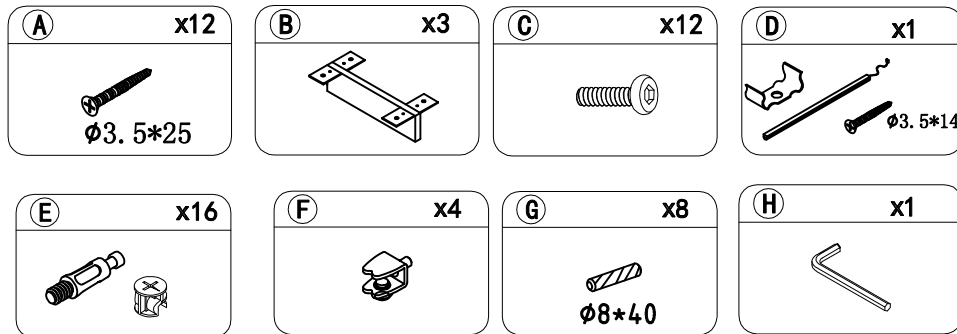


Parts supplied for assembly

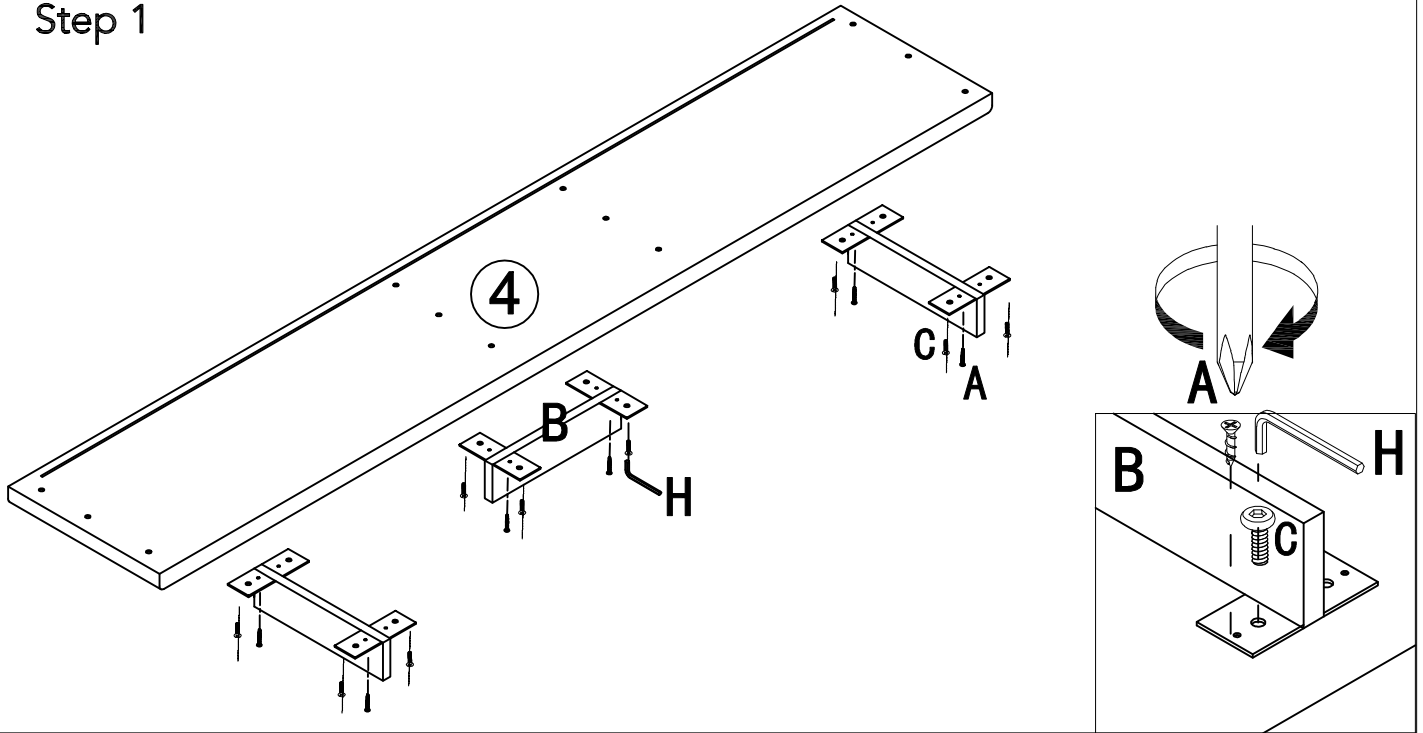
PART NO.	QTY
① x1	1
② x1	1
③ x1	1
④ x1	1
⑤ x1	1
⑥ x1	1



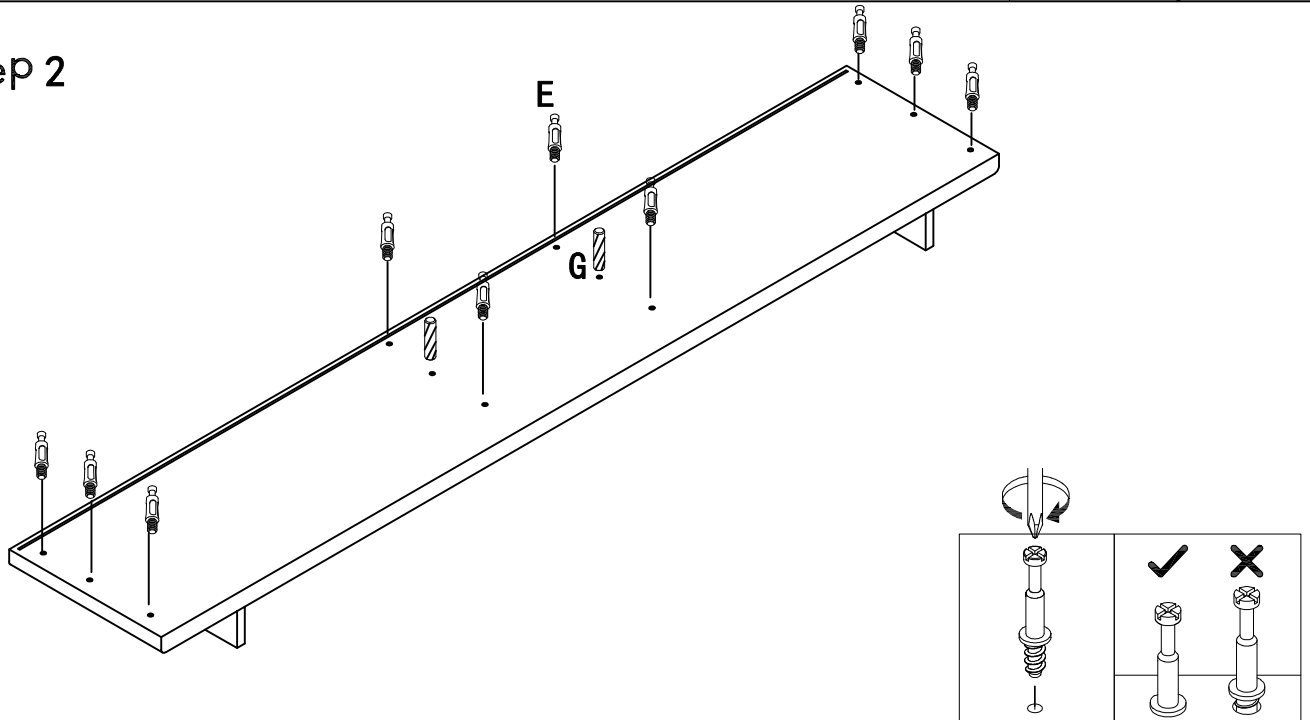
Hardware supplied for assembly



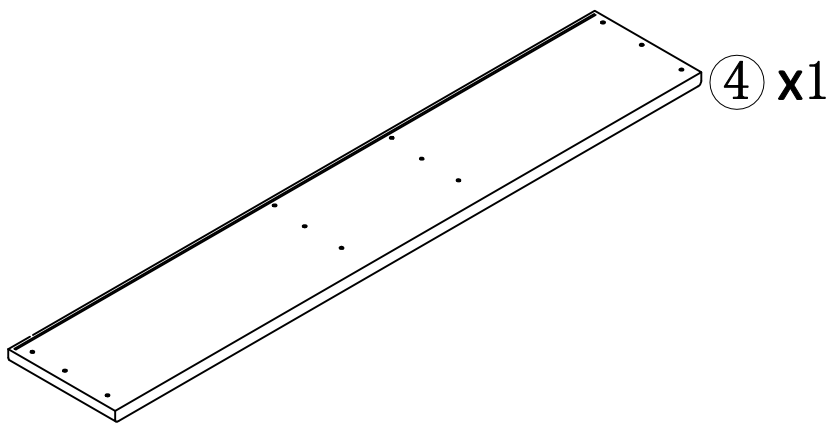
Step 1




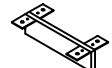




Step 2



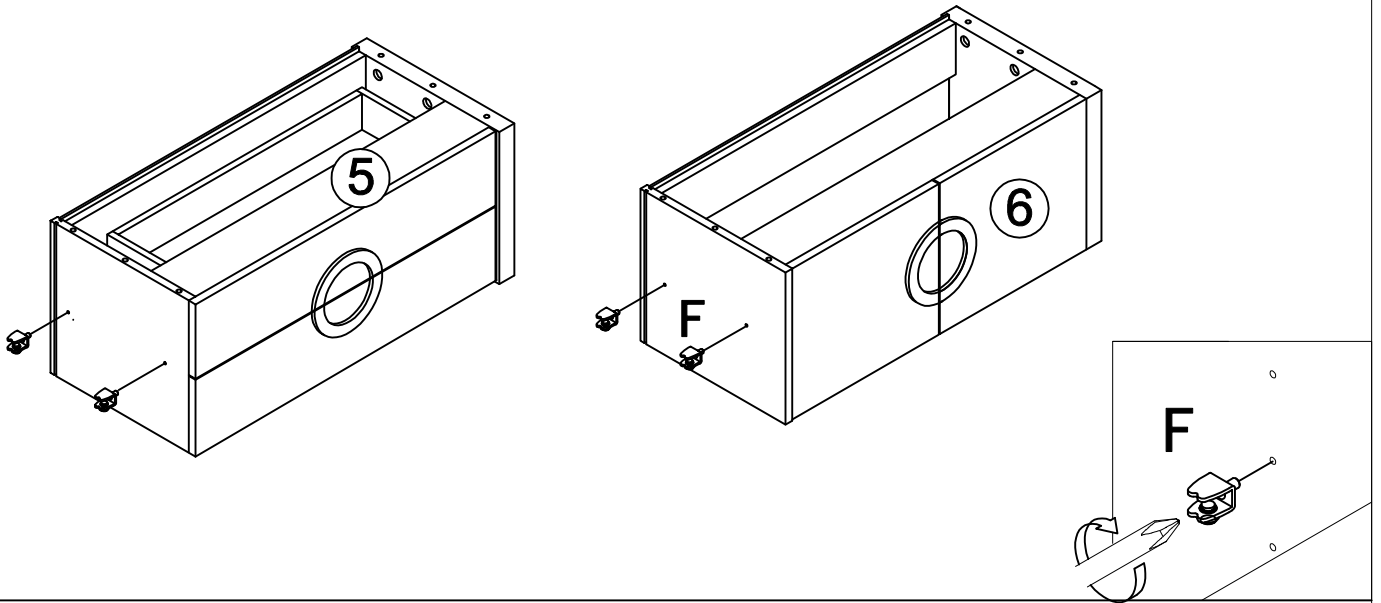
Parts



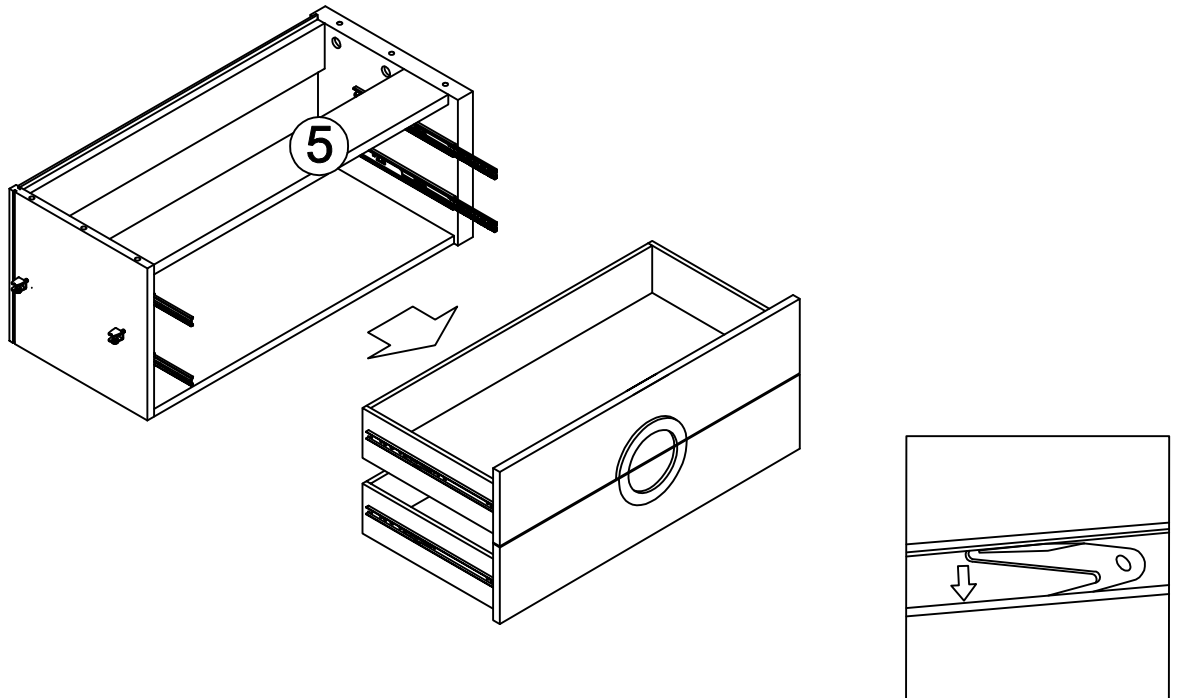
Hardware

<p>(A) x12</p>  <p>Ø3.5*25</p>	<p>(B) x3</p> 
<p>(C) x12</p> 	<p>(E) x16</p> 
<p>(G) x8</p>  <p>Ø8*40</p>	<p>(H) x1</p> 

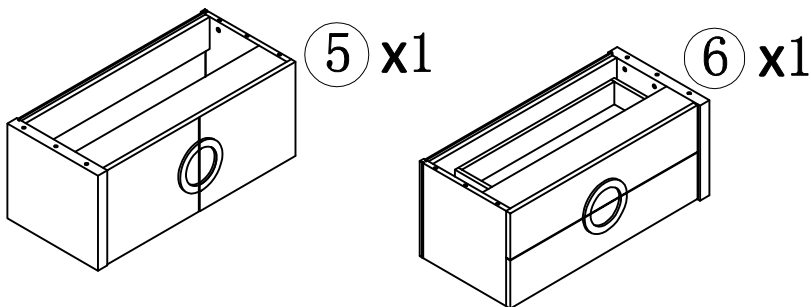
Step 3



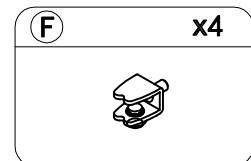
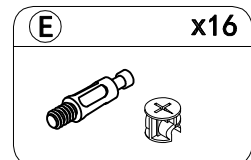
Step 4



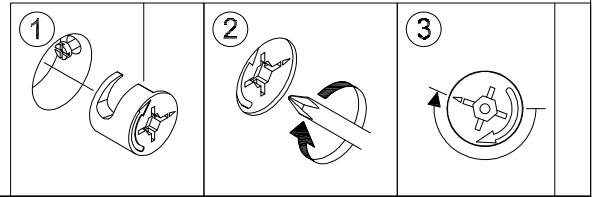
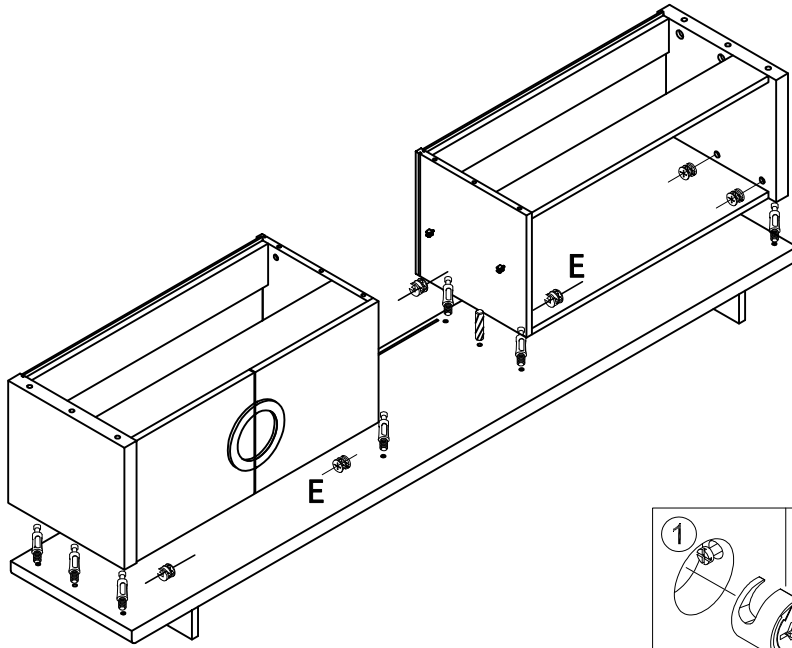
Parts



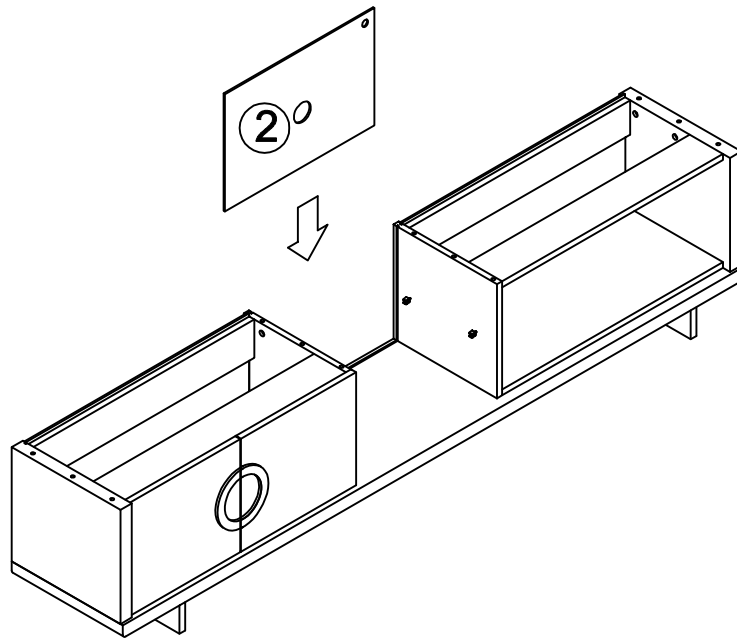
Hardware



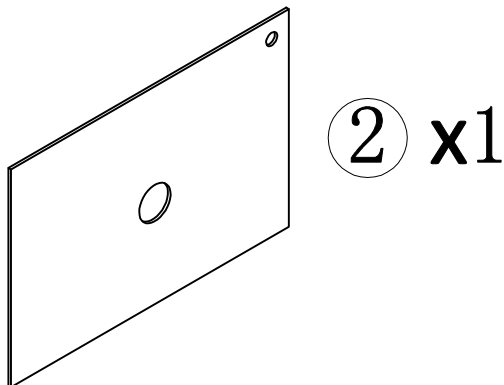
Step 3



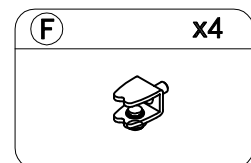
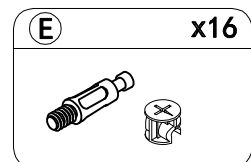
Step 4



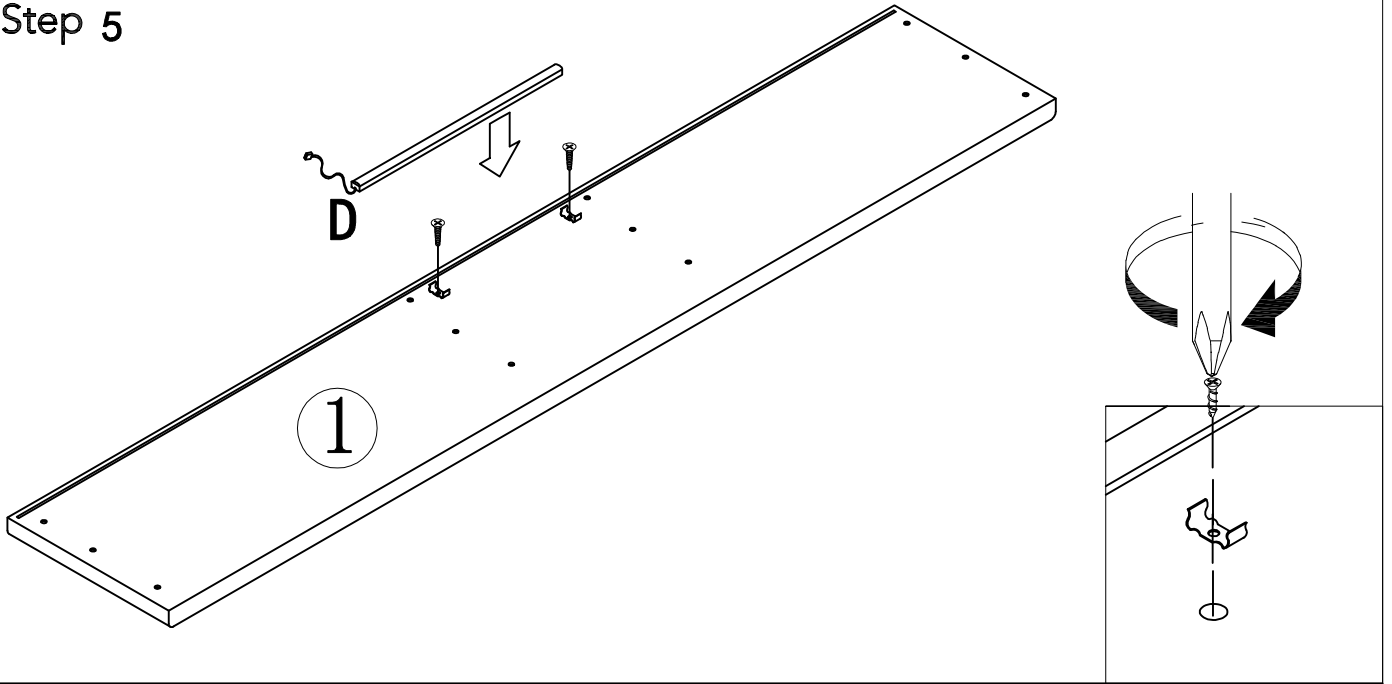
Parts



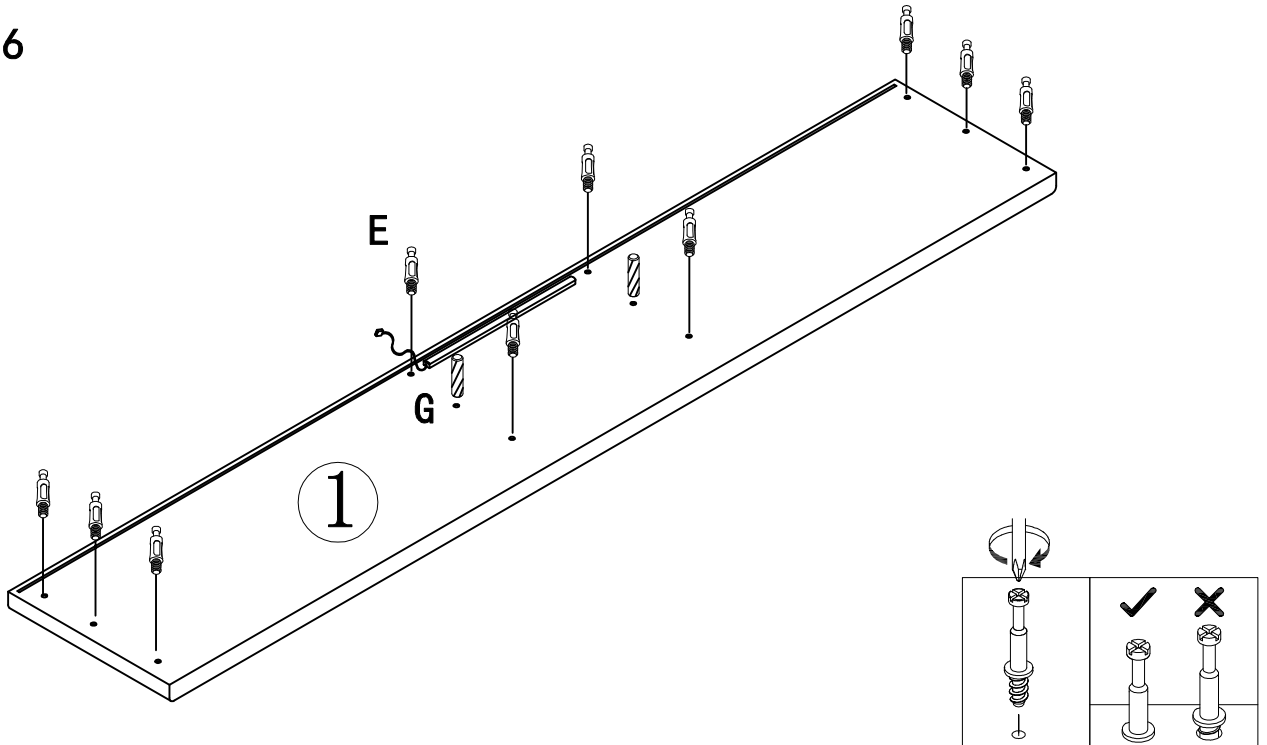
Hardware



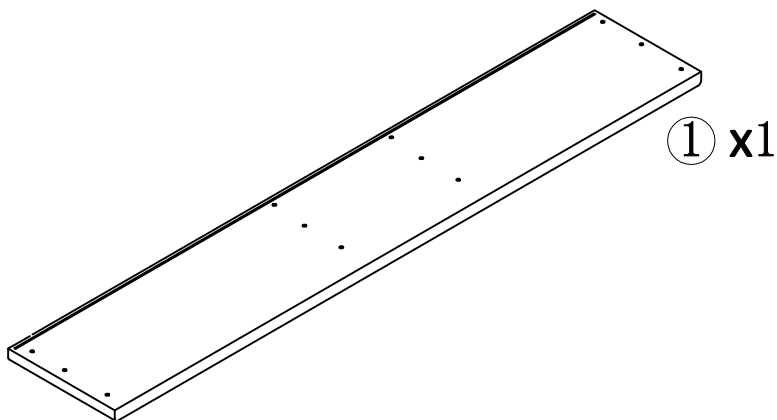
Step 5



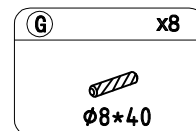
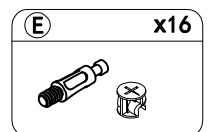
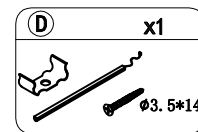
Step 6



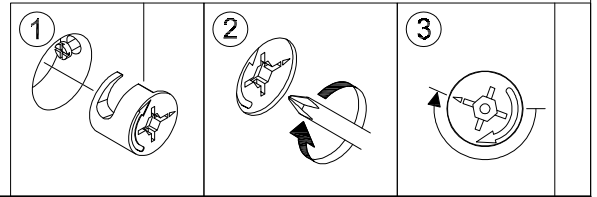
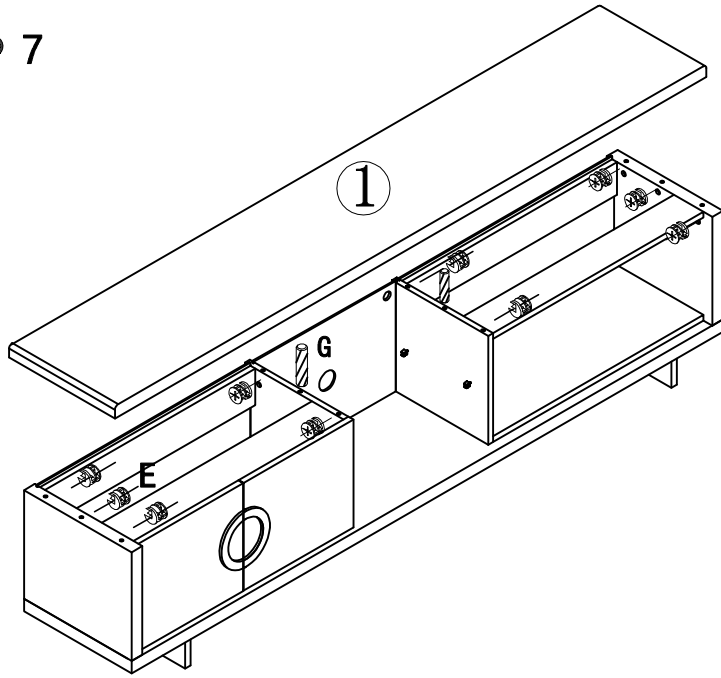
Parts



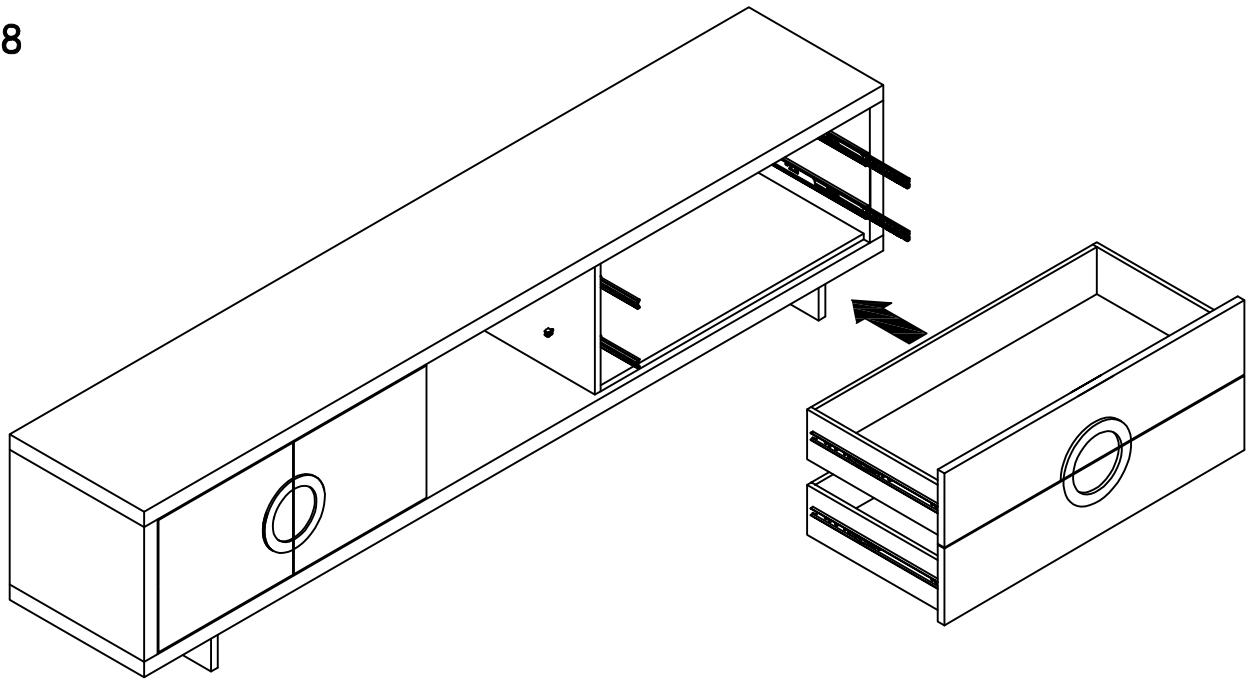
Hardware



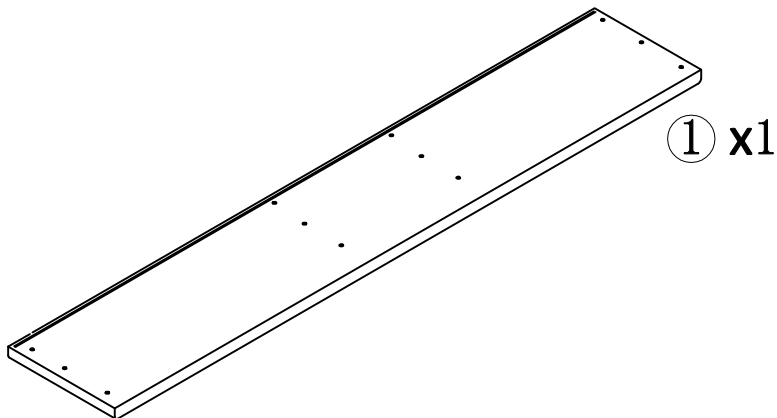
Step 7



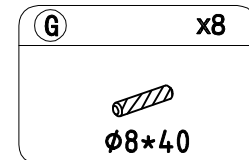
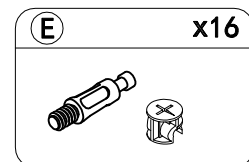
Step 8



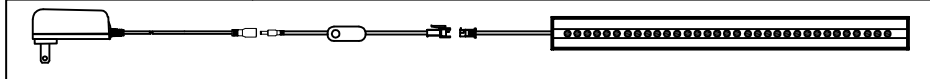
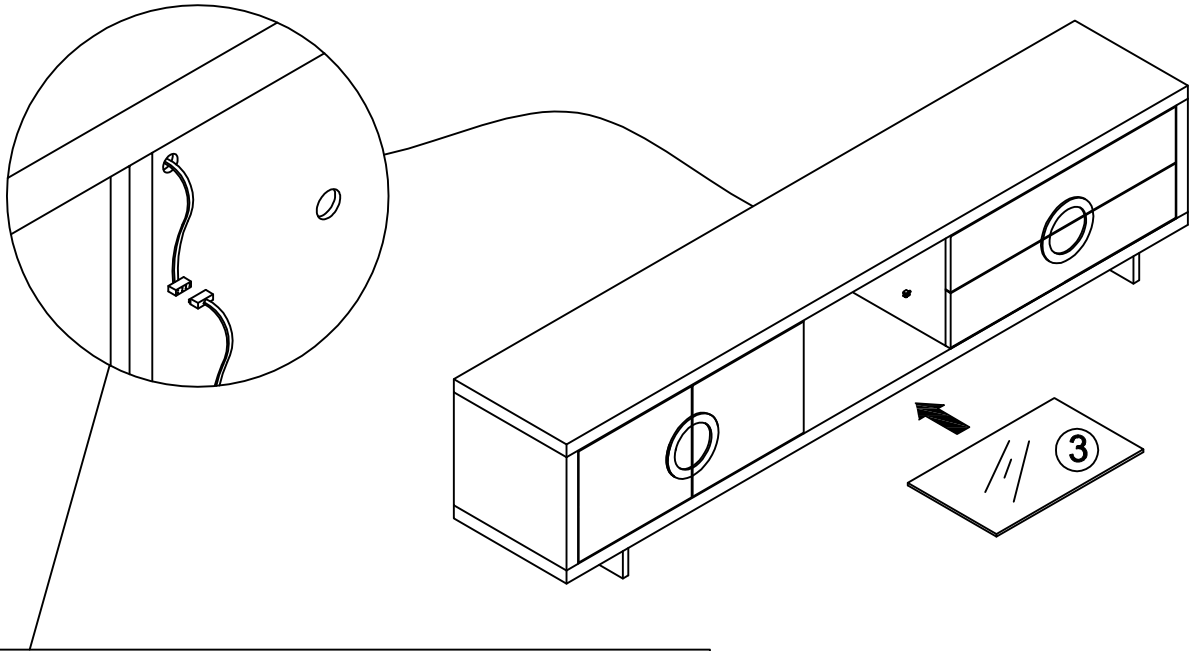
Parts



Hardware



Step 9



Parts	Hardware
