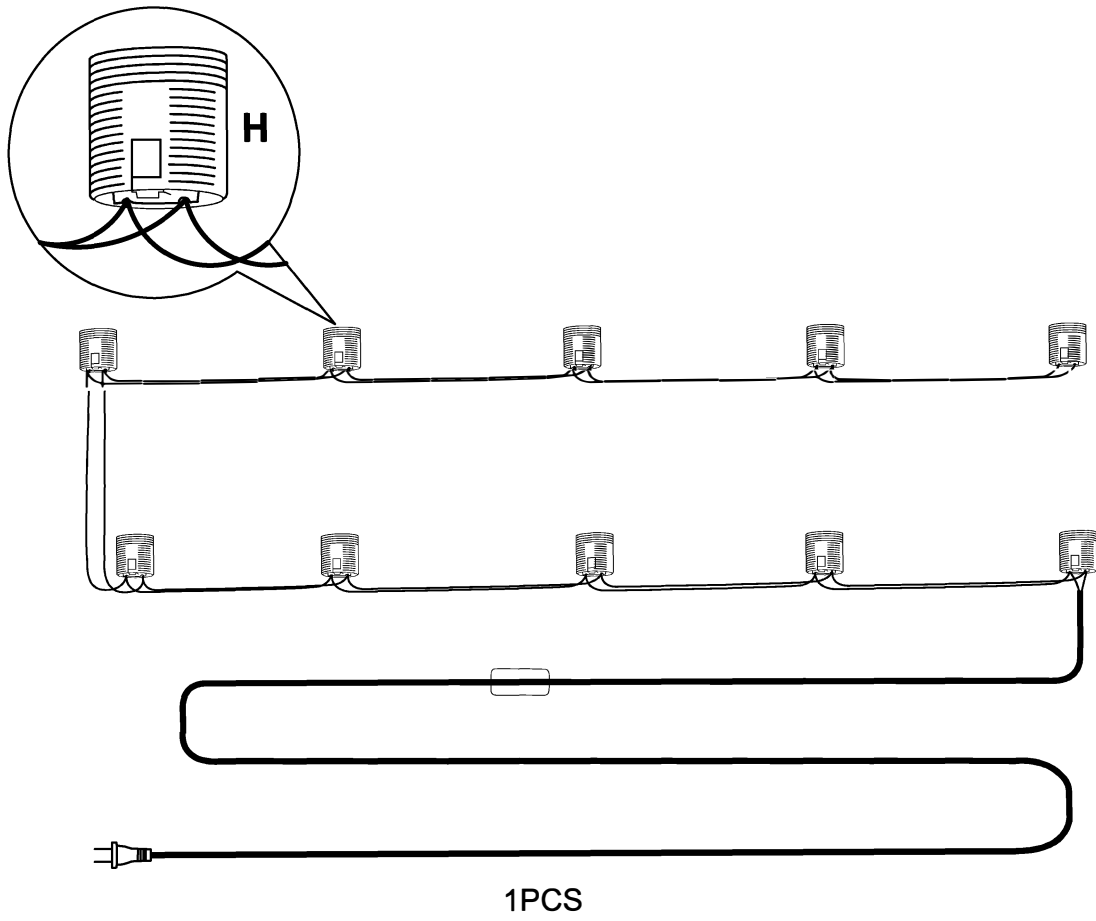
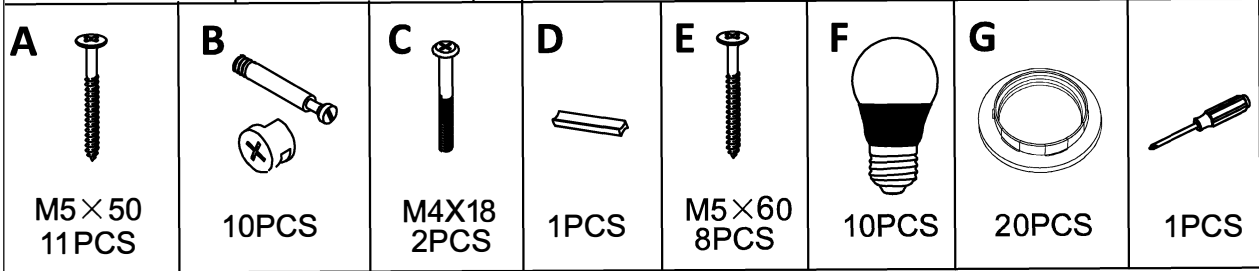
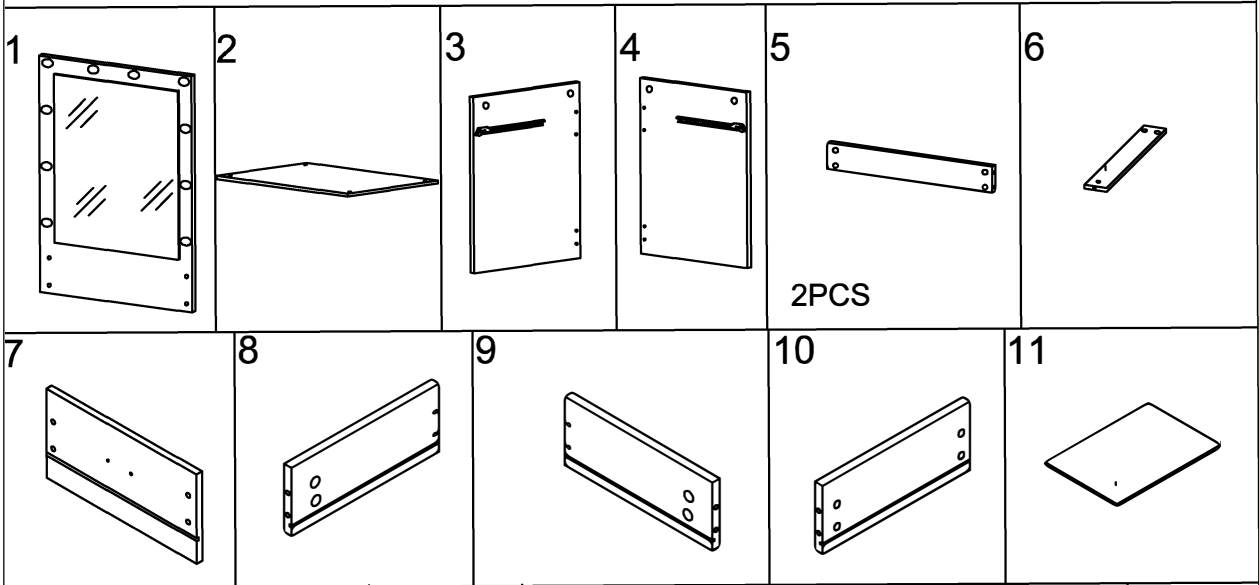
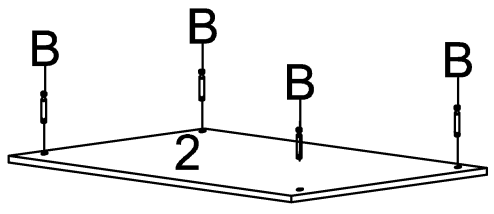
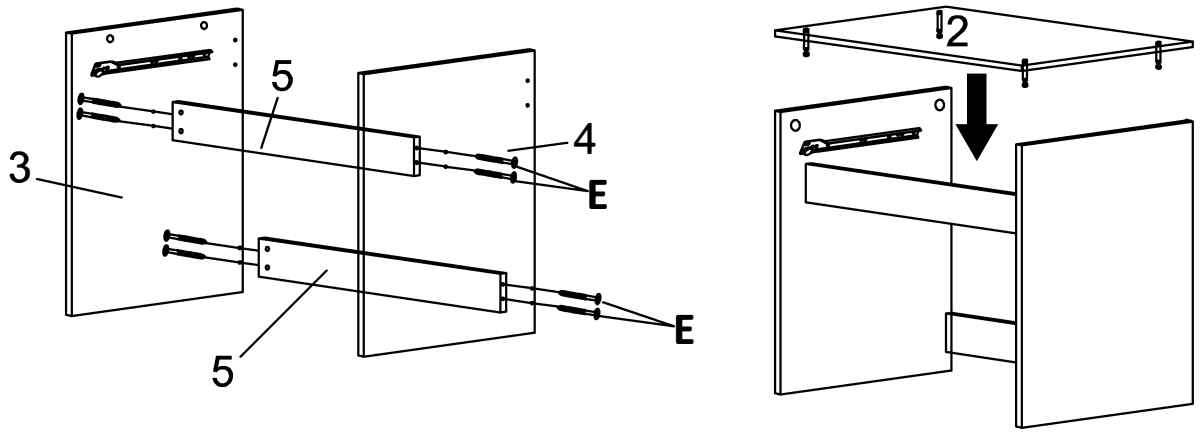
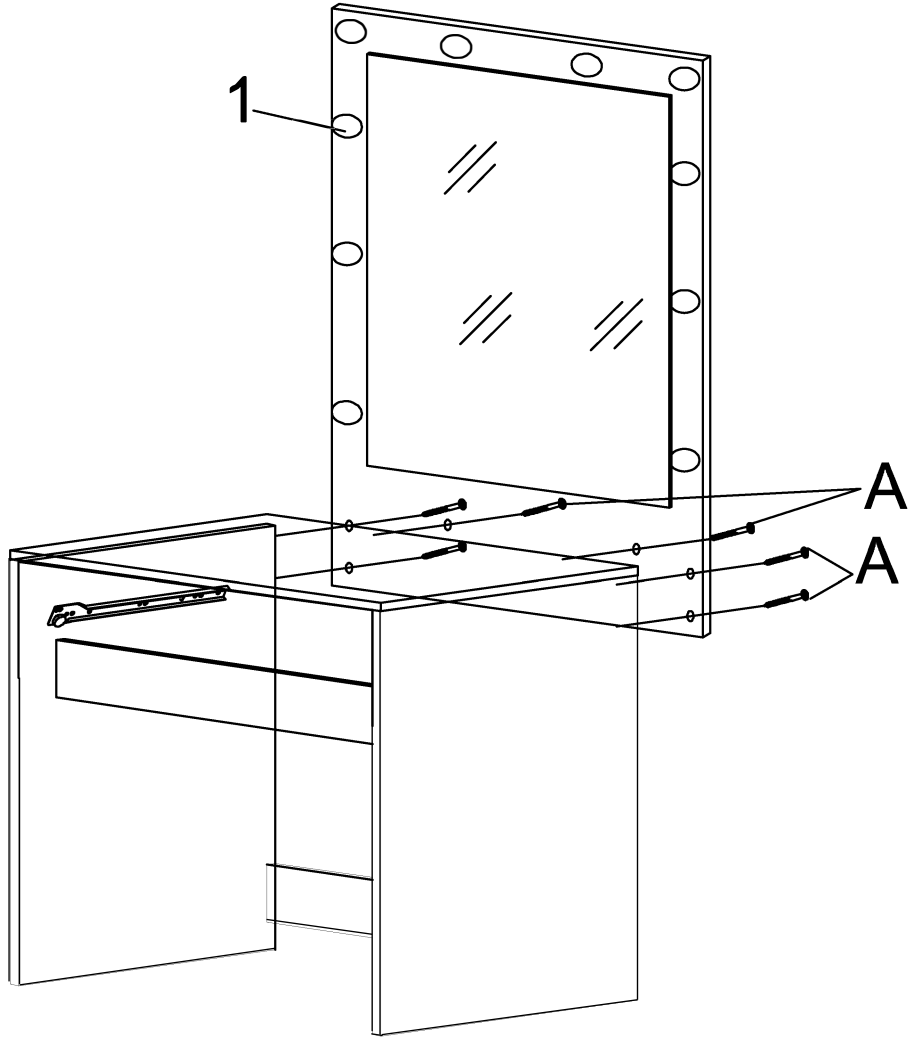


ASSEMBLY INSTRUCTION



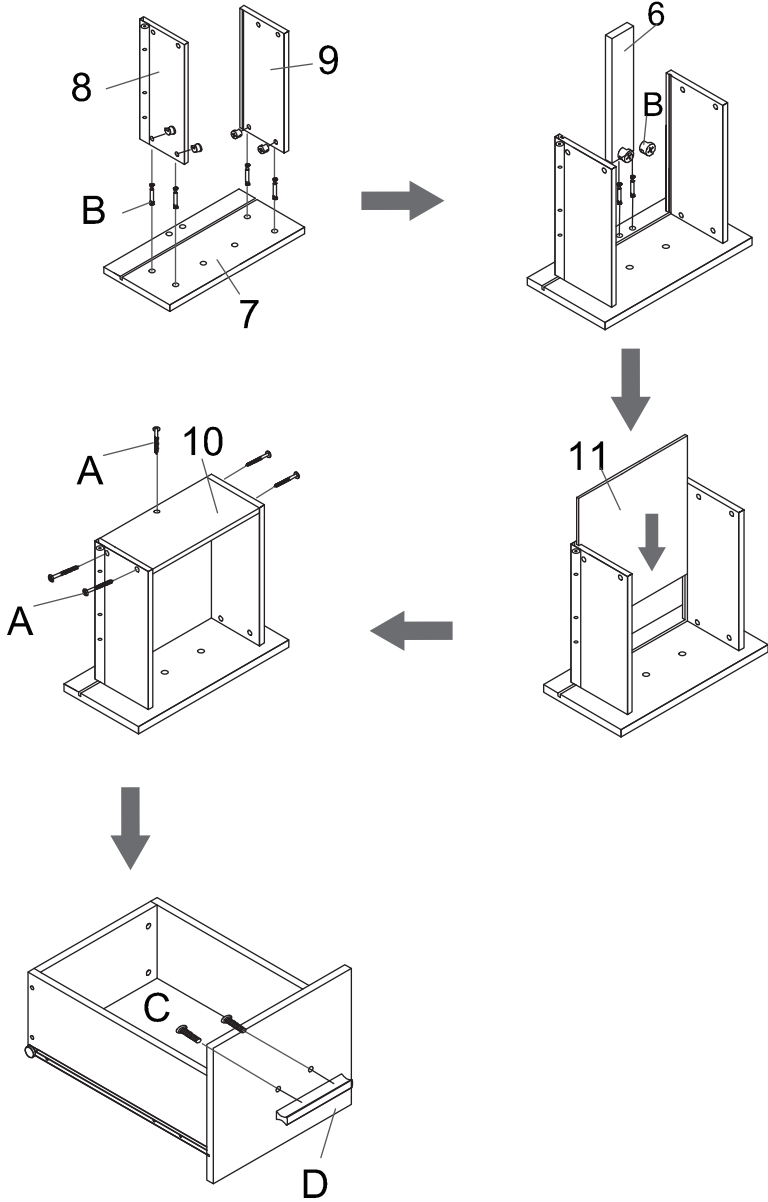


1

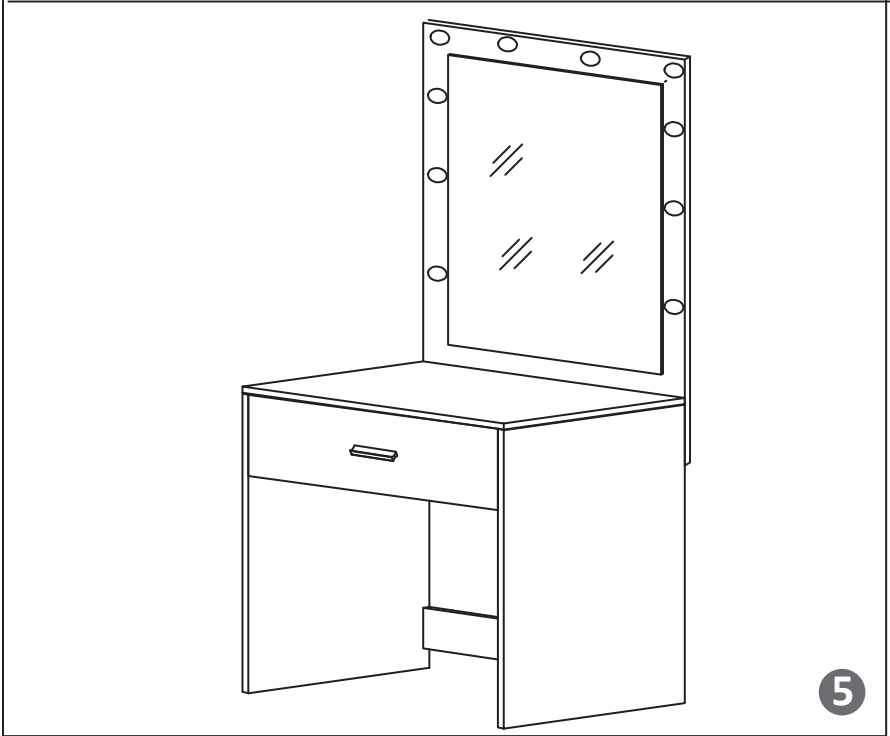
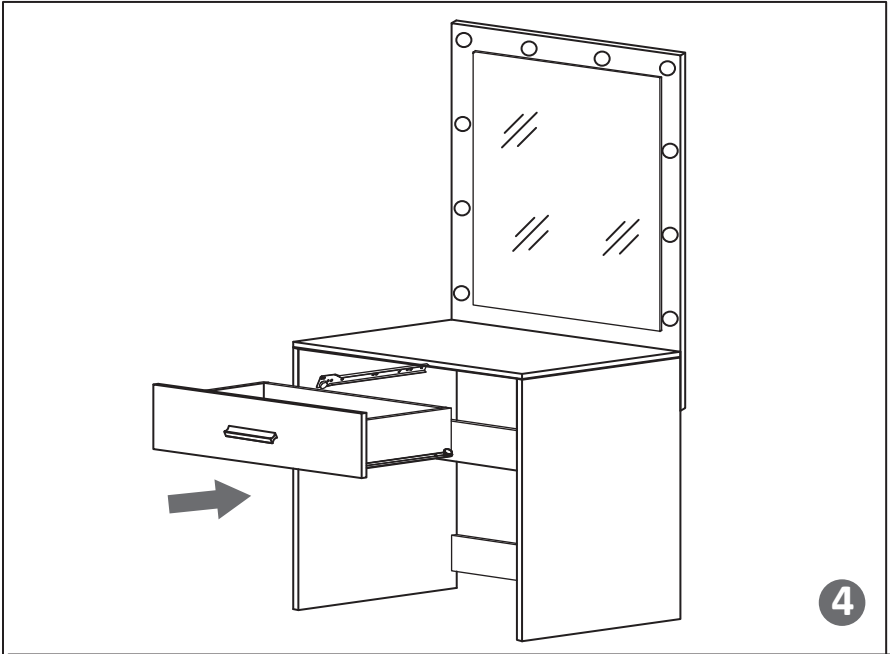


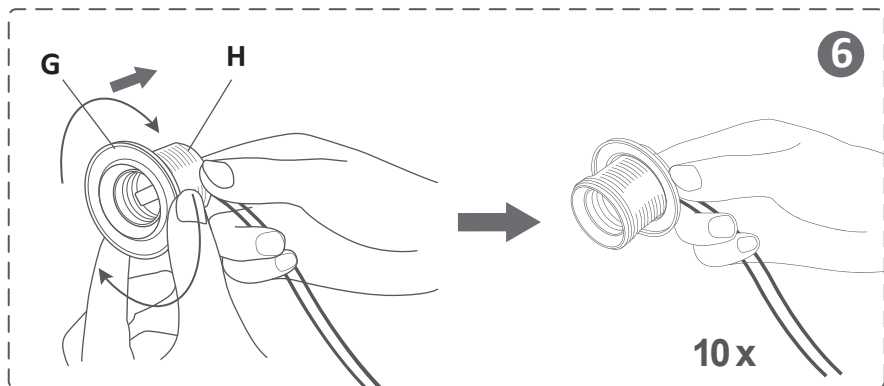
2

ASSEMBLY INSTRUCTION

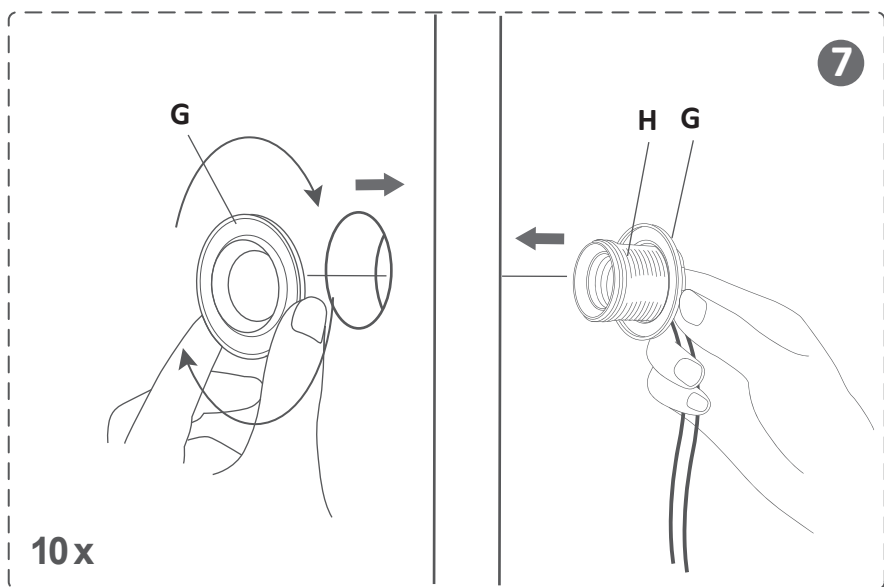


3

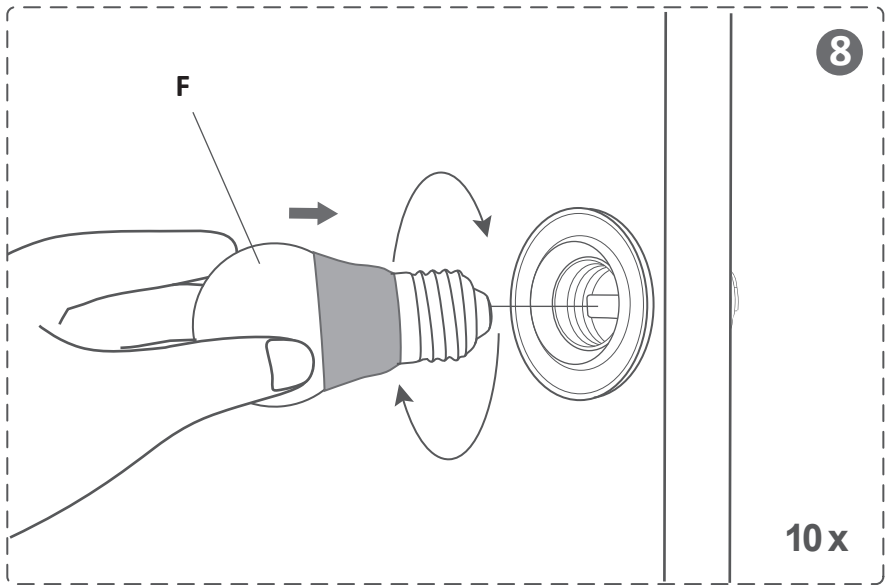




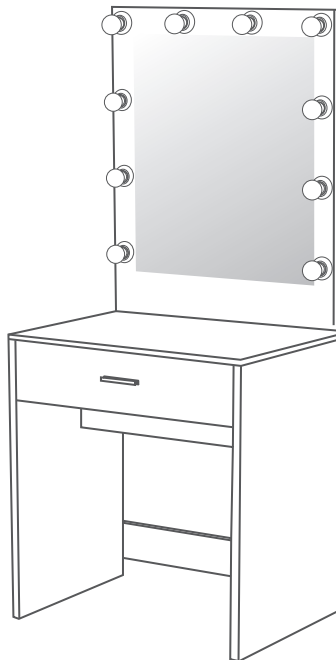
Take 1: piece “ G ” and screw it into “ H ” as picture show.



Take 2: put what installed in previous step to the vanity table hole and then take another piece “ G ” , screw it.



Take 3: just screw the 10 bulbs, done!



Complete