

# Magnetic Monitor Mount

SKU: MOUNT-MAG01

## Instruction Manual

---

Assembly Video & Product Info  
[www.vivo-us.com/products/mount-mag01](http://www.vivo-us.com/products/mount-mag01)



# ! CAUTION! !

If you do not understand these directions, or if you have any doubts about the safety of the installation, please contact our product support team at 309-278-5303 or [help@vivo-us.com](mailto:help@vivo-us.com) for further assistance. Check carefully to make sure there are no missing or defective parts. Improper installation may cause damage or serious injury. Do not use this product for any purpose that is not explicitly specified in this manual. Do not exceed weight capacity. We cannot be liable for damage or injury caused by improper mounting, incorrect assembly or inappropriate use.



## WARNING: CHOKING HAZARD

SMALL PARTS - NOT FOR CHILDREN UNDER 3 YEARS. ADULT SUPERVISION IS REQUIRED.



## DO NOT EXCEED WEIGHT CAPACITY

FAILURE TO DO SO MAY RESULT IN SERIOUS INJURY.



## WARNING: STRONG MAGNETIC FIELD

PRODUCT FEATURES HEAVY MAGNETIC CONNECTION WHICH CAN BE POTENTIALLY HARMFUL TO PACEMAKER AND OTHER MEDICAL DEVICE WEARERS. CAUTION SHOULD BE TAKEN WHEN USING PRODUCT. Always keep product clear of magnetic devices including but not limited to computer discs, credit cards, tools, and magnetic items.



## NOT INTENDED FOR ROUGH SURFACES

Product is designed for smooth surfaces ONLY and SHOULD NEVER BE APPLIED TO corrugated sheet metal, diamond plate, textured appliances, coarse coated beams, or other rough surfaces.



## WARNING: ADJUST WITH CAUTION

Use caution when adjusting the tilt of your monitor. Over adjusting may cause the monitor to detach from the mounting surface, which may result in accidental damage to your screen and/or serious personal injury.

---

## We're Here for You

Open **Monday - Friday 7:00am - 7:00pm CST**, our dedicated support team can offer immediate assistance with rapid response times. If any parts are received damaged or defective, please contact us. We are happy to replace parts to ensure you have a fully functioning product.



Give us a Call:  
**309-278-5303**

AVG. RESOLUTION TIME (*within office hrs*): **5M 4S**



Chat Us:  
**[www.vivo-us.com](http://www.vivo-us.com)**

AVG. RESOLUTION TIME (*within office hrs*): **< 15 M**

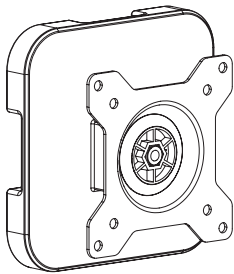


Email Us:  
**[help@vivo-us.com](mailto:help@vivo-us.com)**

AVG. RESPONSE TIME (*within office hrs*): **1HR 8M**

- 23% within < 15m
- 38% within < 30m
- 61% within < 1hr
- 83% within < 2hr
- 92% within < 3hr

## Package Contents



**A** (x1)  
Mount

## Included Hardware & Tools



**M-A** (x4)  
M4x12mm  
Screw



**M-B** (x4)  
M5x12mm  
Screw



**M-C** (x4)  
M5 Washer

## Tools Needed:



**Phillips  
Screwdriver**

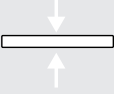





**\*\* STOP HERE \*\***  
**PLEASE NOTE WEIGHT CAPACITY**



MAGNETS **MUST** BE INSTALLED BASED ON YOUR INTENDED MOUNTING SURFACE THICKNESS.

### Weight Capacity by Material Thickness

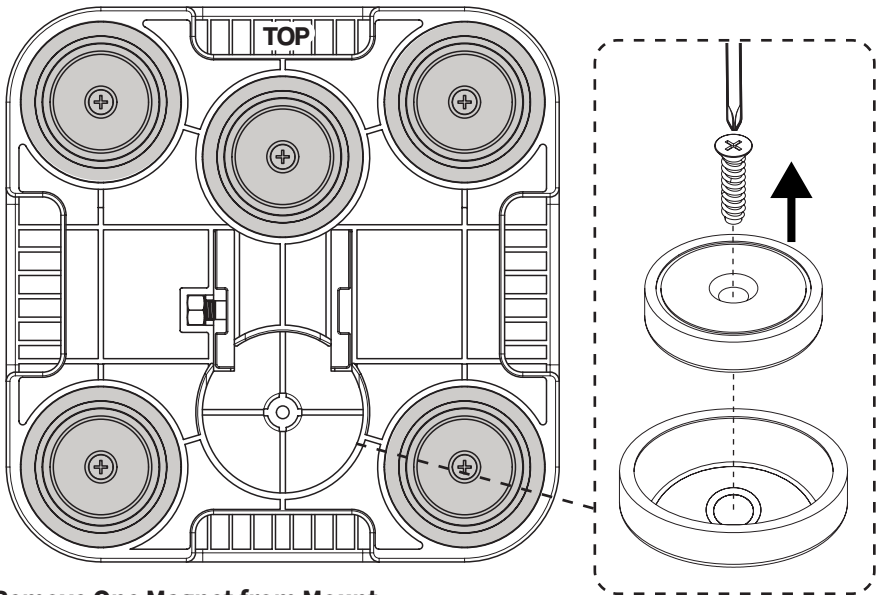
 <b>Steel Gauge</b>	 <b>Weight Capacity</b>	 <b>Magnet Count</b>	 <b>Mounting Surface Examples</b>
19ga to 17ga <i>1mm to 1.5mm</i>	8.8lbs (4kgs)	5-6 Magnets	<i>Kitchen Appliances, HVAC Ducts, Metal Pegboards</i>
17ga-14ga <i>1.5mm to 2mm</i>	17.6lbs (8kgs)	6 Magnets	<i>Large Shelving, Utility Cabinets &amp; Panels</i>
14ga & thicker <i>2mm &amp; up</i>	17.6lbs (8kgs)	5-6 Magnets	<i>I-Beams, Structural Columns</i>

#### IMPORTANT NOTES:

- Weight capacity of the mount is affected by the thickness, coating, texture, etc of the intended mounting surface.
- Some surfaces may not be able to hold the max capacity in a given category.
- USE CAUTION DURING FIRST USE, ensuring the mount and device are supported until you have determined a strong hold has been achieved.
- NOT COMPATIBLE with materials thinner than 1mm.

# Preassembly for 14 Gauge (& Thicker) Surfaces

*For surfaces 14 gauge and thicker, one magnet may need to be removed for ease of monitor adjustment and placement.*



## Remove One Magnet from Mount

Remove the Bottom Center Magnet (**B1**) from the backside of the Mount using a Phillips screwdriver and set aside. *Proceed to Assembly Steps on page 6.*



### **WARNING: STRONG MAGNETIC FORCE**

To prevent serious injury, **NEVER** set Magnets face down on the Mount. Use caution when removing and setting aside Magnets.

**STAY CLEAR** of magnetic materials when the magnet is removed.



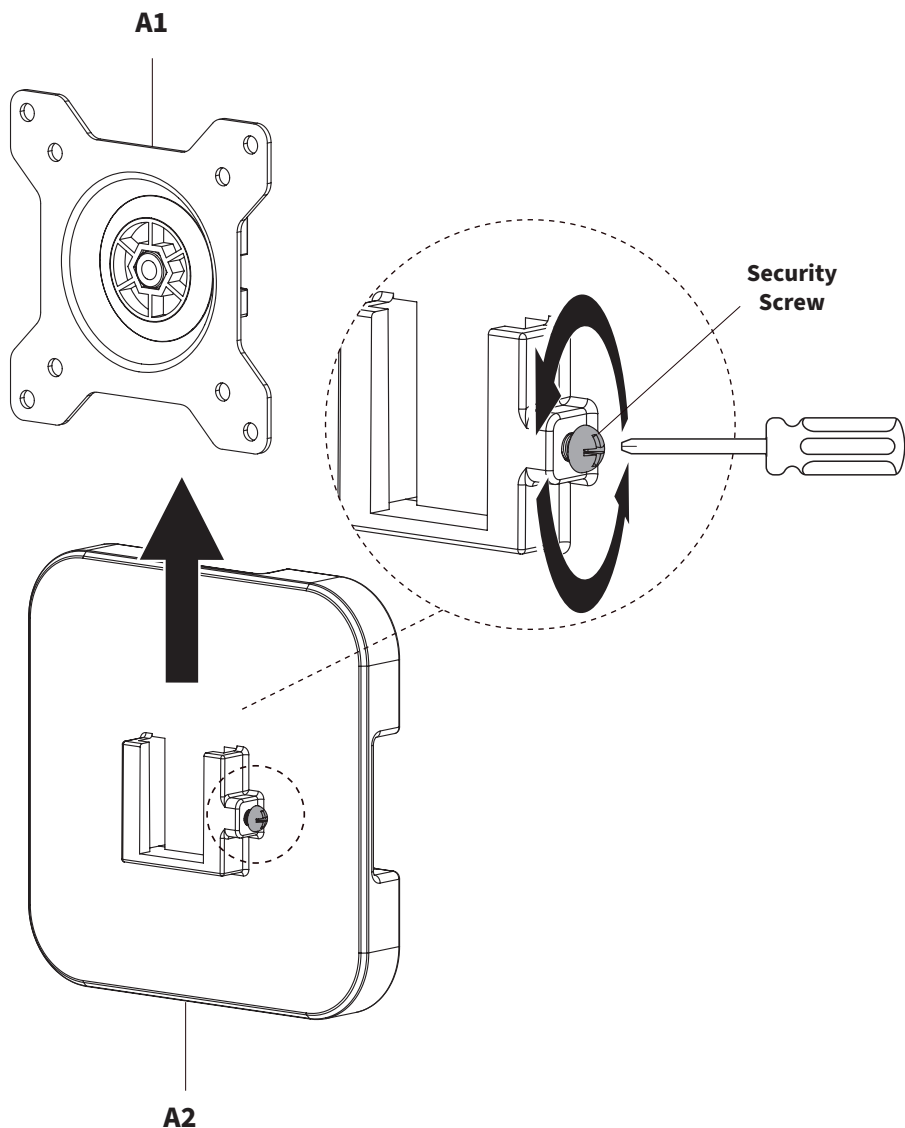
### **\*\* DISASSEMBLE WITH CAUTION \*\***

Removing a magnet will cause the plastic shell underneath to fall off. Ensure you also remove this shell when removing magnets.

## ASSEMBLY STEPS

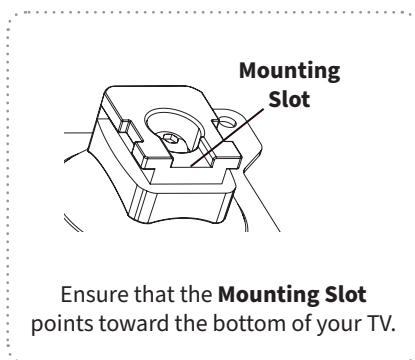
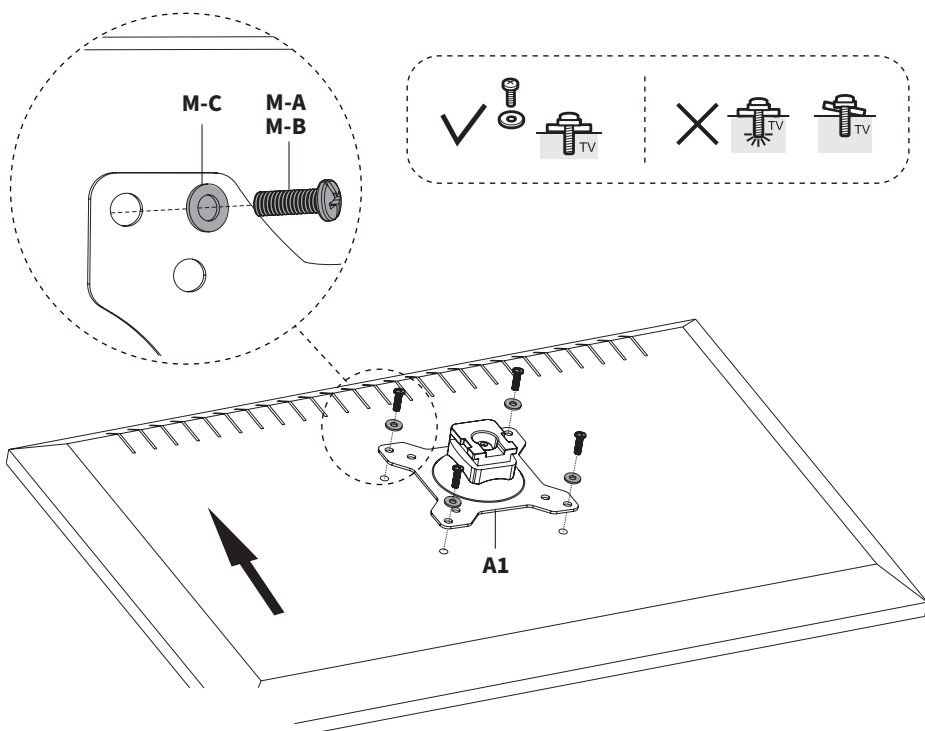
### STEP 1

Use a Phillips screwdriver to loosen the **Security Screw**. Separate VESA Bracket (**A**) into VESA Plate (**A1**) and Mount (**A2**).



## STEP 2

Attach VESA Plate (**A1**) to the back of your monitor using appropriate Screws (**M-A,M-B**) and Washers (**M-C**).



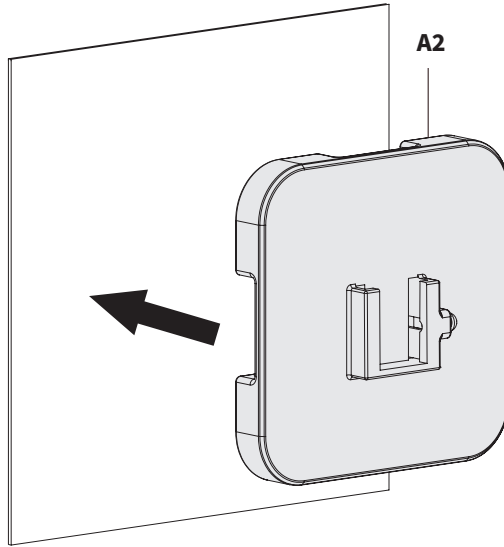
### STEP 3

Attach Mount (A2) to the wall with the channel opening facing up and ensure it is secured firmly.



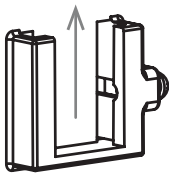
#### PINCH POINT RISK

DO NOT place your hands in between the magnets and the magnetic surface to prevent injury.

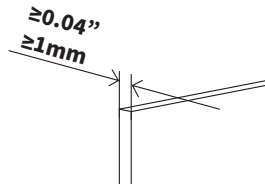


#### DO NOT USE ON ROUGH SURFACES

Product is designed for smooth surfaces **ONLY** and **SHOULD NEVER BE APPLIED TO** corrugated sheet metal, diamond plate, textured appliances, coarse coated beams, or other rough surfaces.



Ensure that the **Channel Opening** is facing upward.

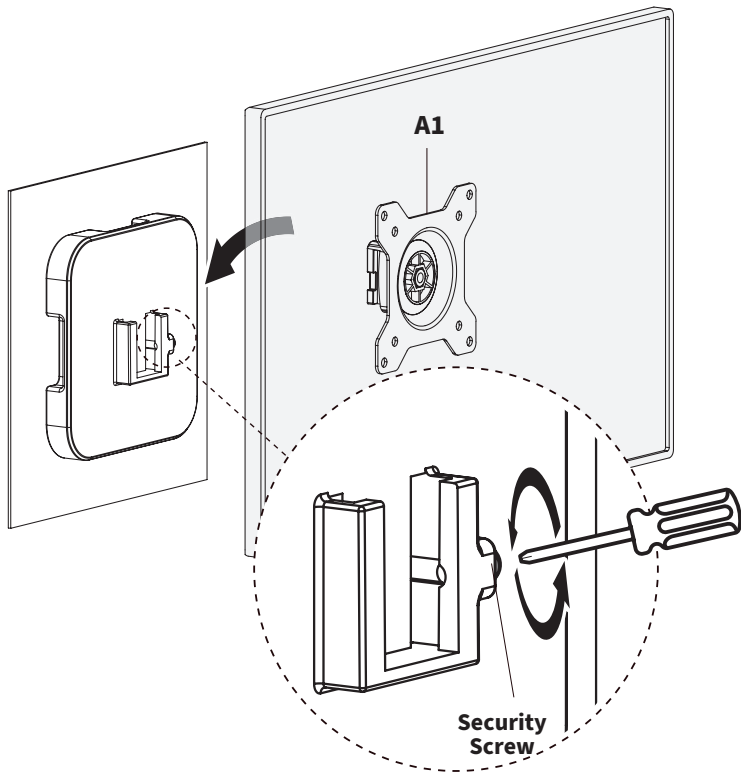


Ensure that mounted surface is at least 0.04" (1mm) thick.

## STEP 4

Slide your monitor with VESA Plate (**A1**) onto the Magnet. Secure by tightening the **Security Screw** on the side of the Magnet using a Phillips screwdriver.

USE CAUTION DURING FIRST USE, ensuring the Mount and monitor are supported until you have determined that the Mount has secure hold.



### Mount Not Supporting Your Monitor?

If you do not feel the Mount is properly supporting your monitor, please reference adjustment steps on next page.

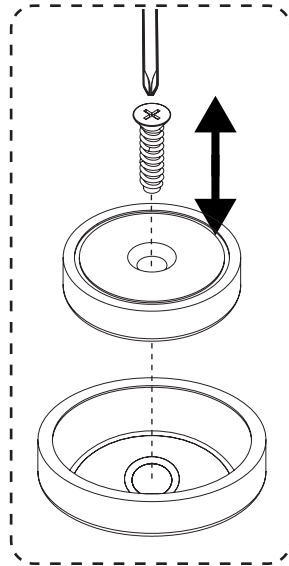
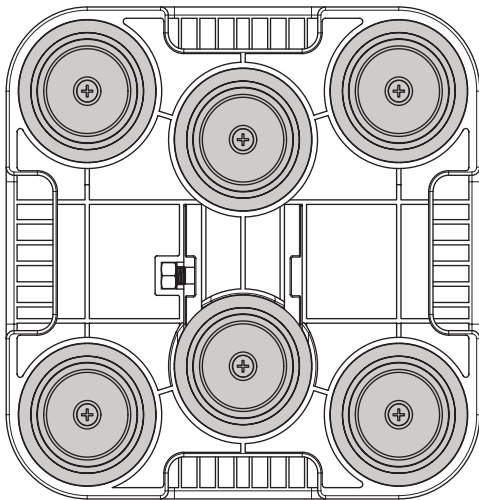


### \*\* USE CAUTION \*\*

Abrupt force on the monitor may cause the mount to detach from the mounting surface. This may cause accidental damage to your screen and/or personal injury.

## Mount is Too Strong or Too Light

*Adjust Magnets Using Steps Below*



### 5.1 Remove Monitor & Mount

Remove monitor from the Mount, then place hands within grab areas on Mount to gently pry away from surface.

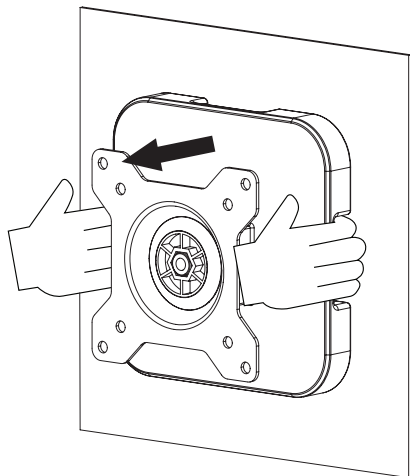
### 5.2 Remove 1 Magnet

Using a Phillips screwdriver, remove one Magnet from the backside of the Mount, according to the patterns shown on the next page, then set aside.

### 5.3 Repeat Steps 3 & 4

After removing one magnet, repeat steps 3 and 4 on previous pages to test stability. If monitor still does not feel supported, repeat 5.1 and 5.2 above.

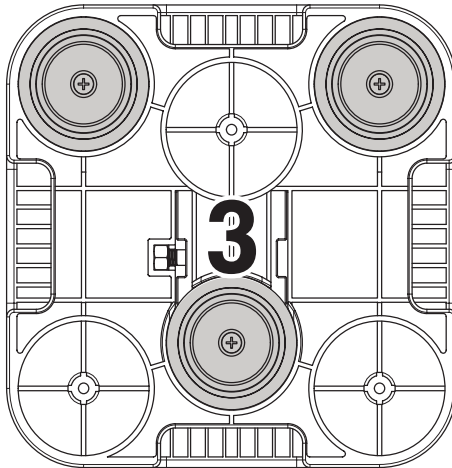
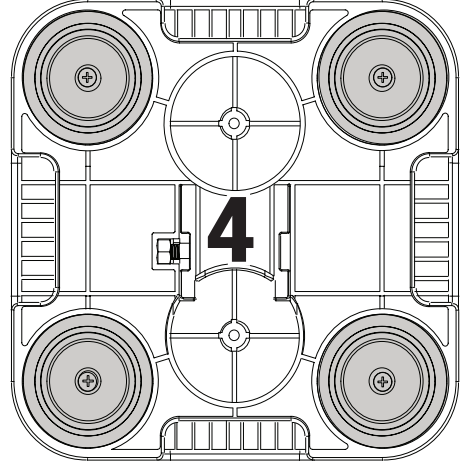
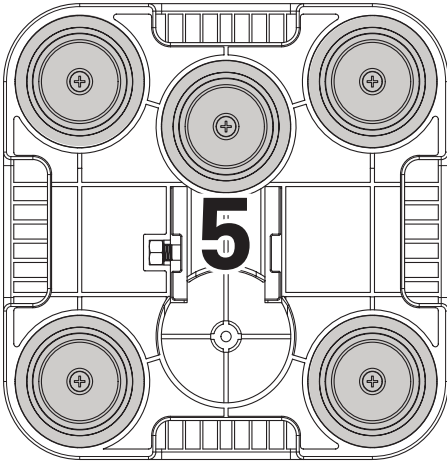
*\*Some magnets may need to be repositioned based on the pattern needed.*



### **\*\* DISASSEMBLE WITH CAUTION \*\***

Removing a magnet will cause the plastic shell underneath to fall off. Ensure you also remove this shell when removing magnets.

## Magnet Patterns



### **WARNING: STRONG MAGNETIC FORCE**

To prevent serious injury, **NEVER** set Magnets face down on the Mount. Use caution when removing and setting aside Magnets. **STAY CLEAR** of magnetic materials when the magnet is removed.



## Need Help? Get In Touch

Monday-Friday from 7:00am-7:00pm CST



[help@vivo-us.com](mailto:help@vivo-us.com)



[www.vivo-us.com](http://www.vivo-us.com)

*Chat live with an agent!*



309-278-5303



**VIVO-us** @vivo\_us

FOR MORE GREAT VIVO PRODUCTS,  
CHECK OUT OUR WEBSITE AT: [WWW.VIVO-US.COM](http://WWW.VIVO-US.COM)