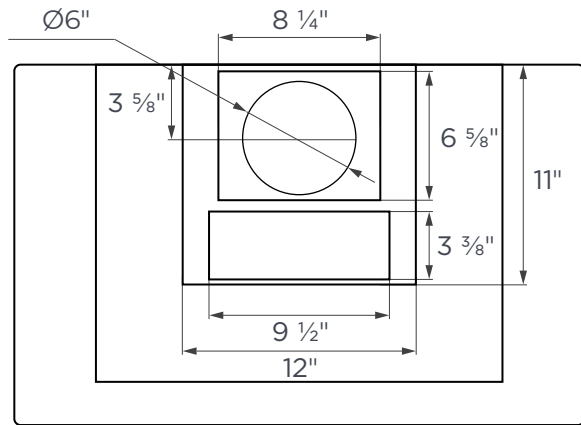
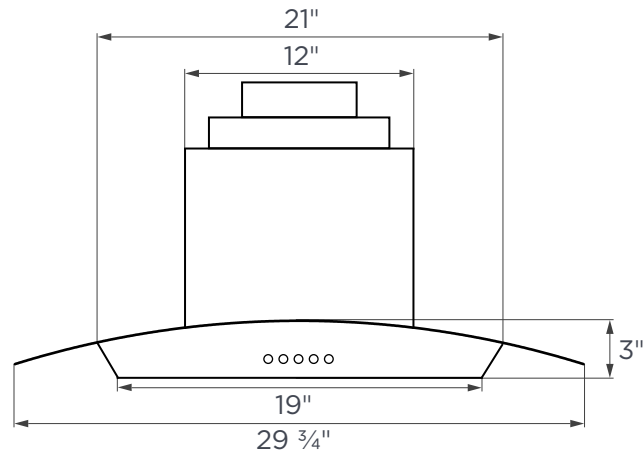


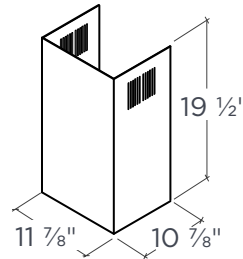
30" TECHNICAL DRAWING



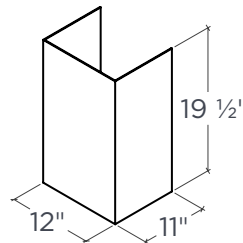
TOP



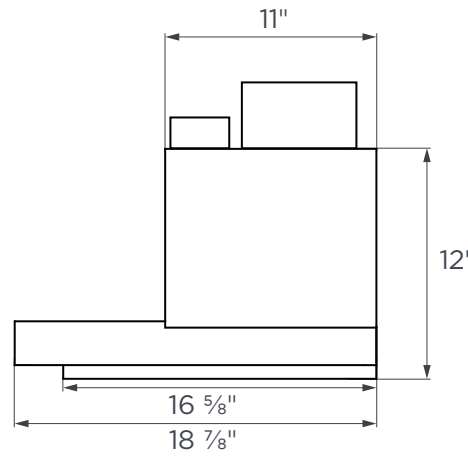
FRONT



UPPER CHIMNEY COVER

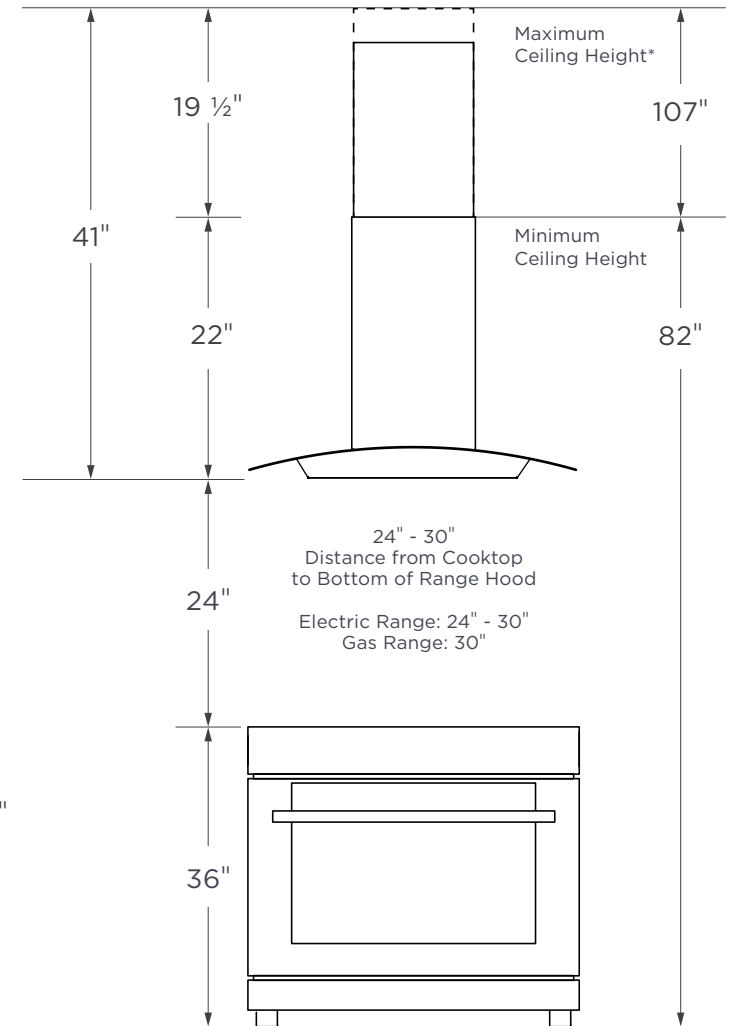


LOWER CHIMNEY COVER



SIDE

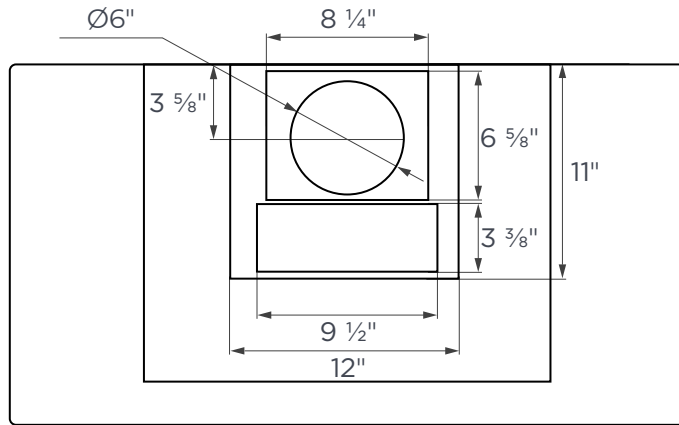
CEILING HEIGHT GUIDE



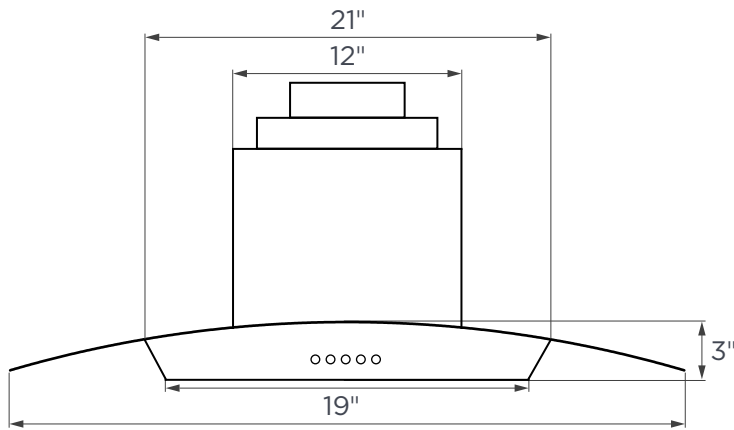
NOTE: All dimensions in Inches unless otherwise specified. Dimensions in this technical drawing may vary by $\pm 1/16$ " (2mm). For detailed installation steps, refer to the user manual. Complete installation instructions and specifications can be found at hauslane.com.

*This height range represents the standard maximum and minimum heights. Additional extension (CHE007) requires a separate purchase.

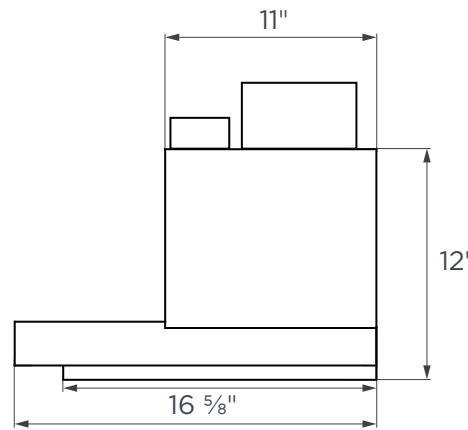
36" TECHNICAL DRAWING



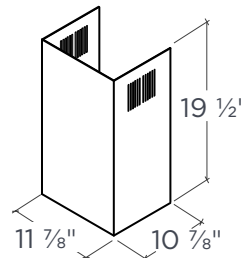
TOP



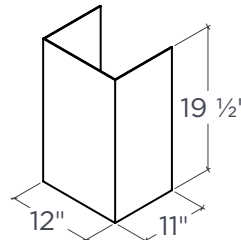
FRONT



SIDE

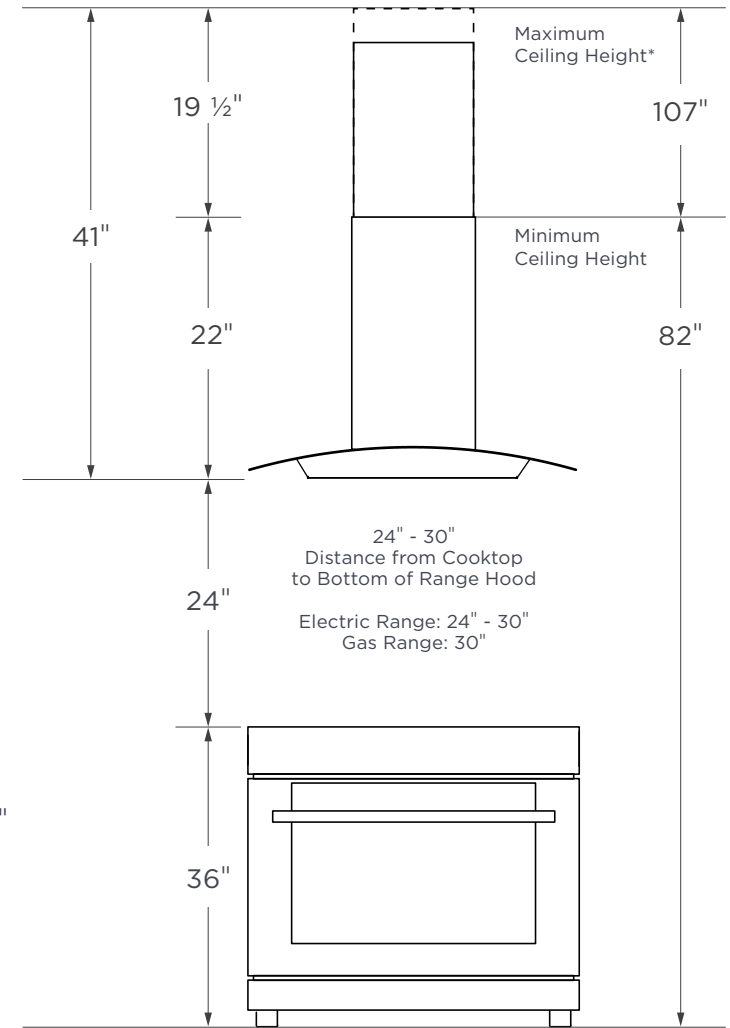


UPPER CHIMNEY COVER



LOWER CHIMNEY COVER

CEILING HEIGHT GUIDE



NOTE: All dimensions in Inches unless otherwise specified. Dimensions in this technical drawing may vary by $\pm 1/16"$ (2mm). For detailed installation steps, refer to the user manual. Complete installation instructions and specifications can be found at hauslane.com.

*This height range represents the standard maximum and minimum heights. Additional extension (CHE007) requires a separate purchase.