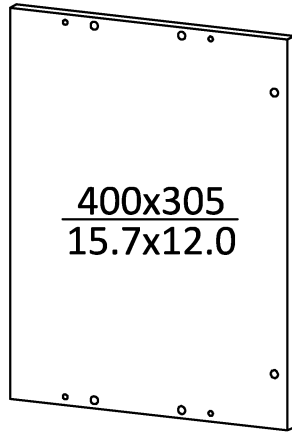


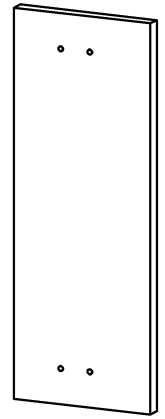
Ax1



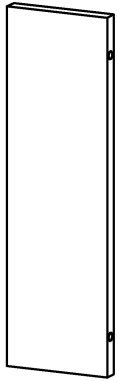
Bx1



Cx1



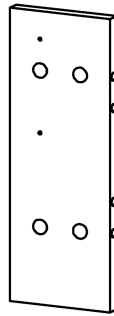
Dx1



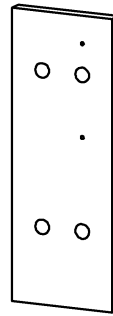
Ex1



Fx1



Gx1



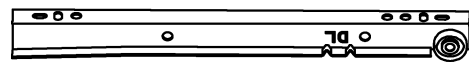
Hx1



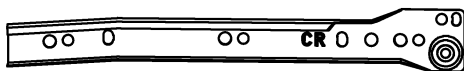
Ix2



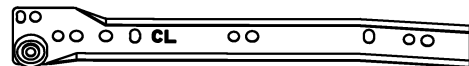
DRx1



DLx1



CRx1



CLx1



Jx16



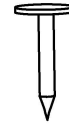
Kx16



Lx12



Mx1



Nx11



Ox2



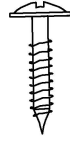
Px12



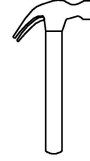
Qx1



Rx2



Sx2



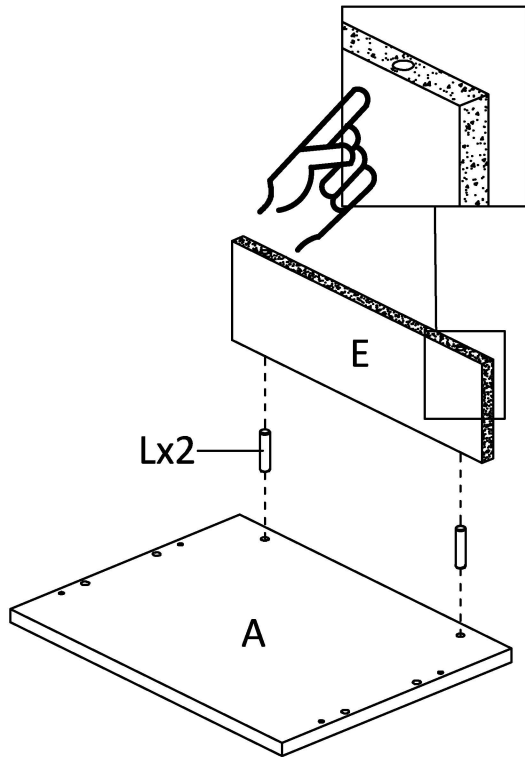
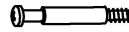
mm
inch

x1



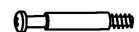
①

Lx2

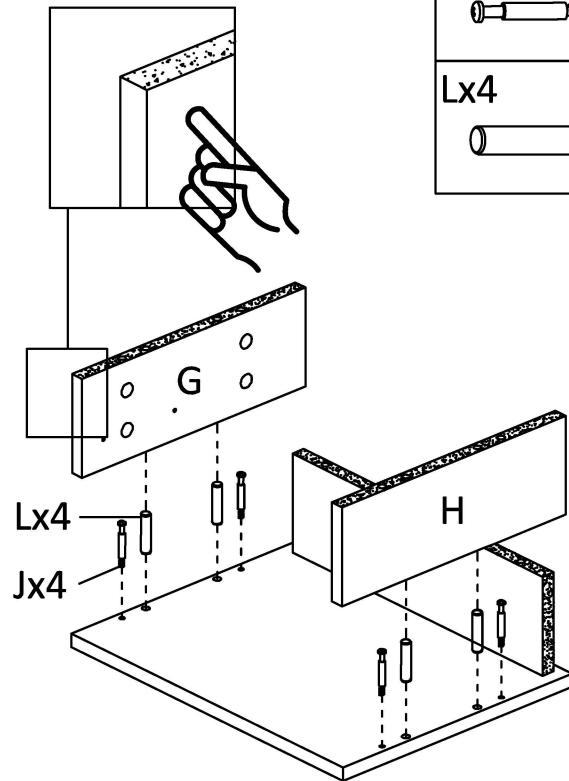
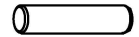


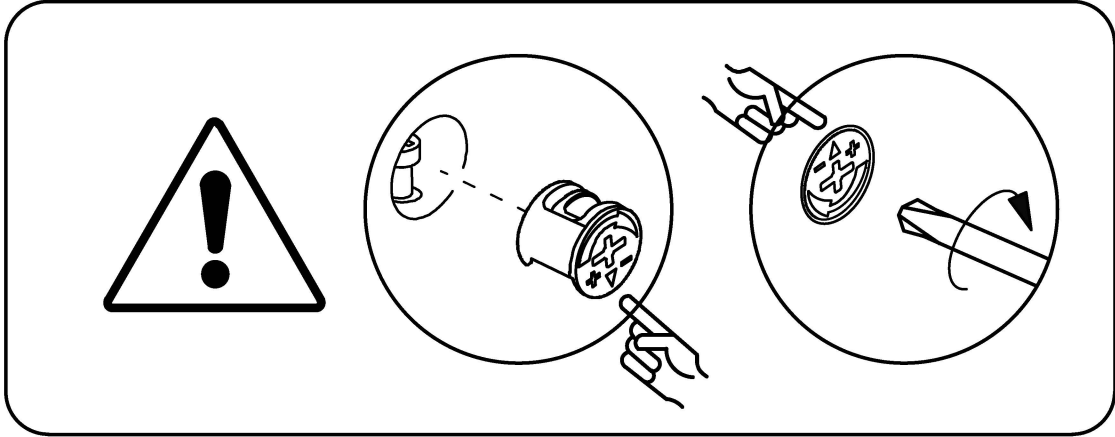
②

Jx4



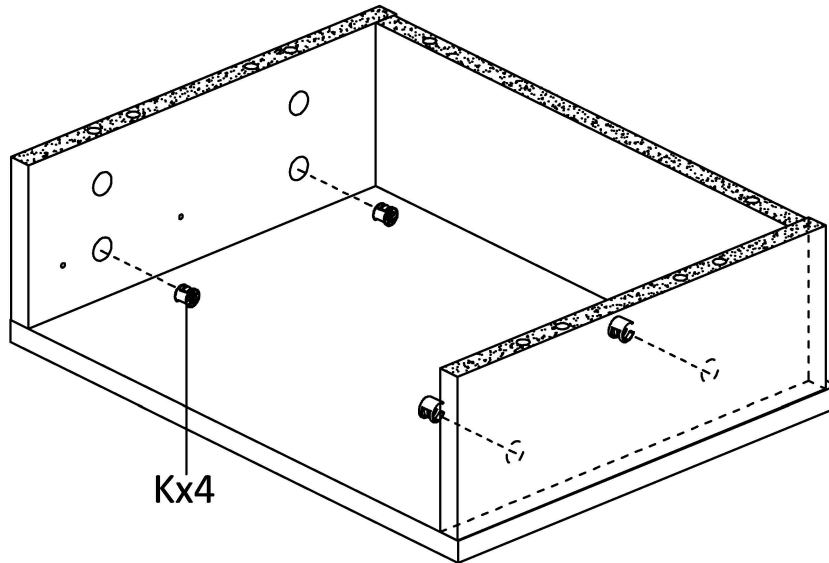
Lx4



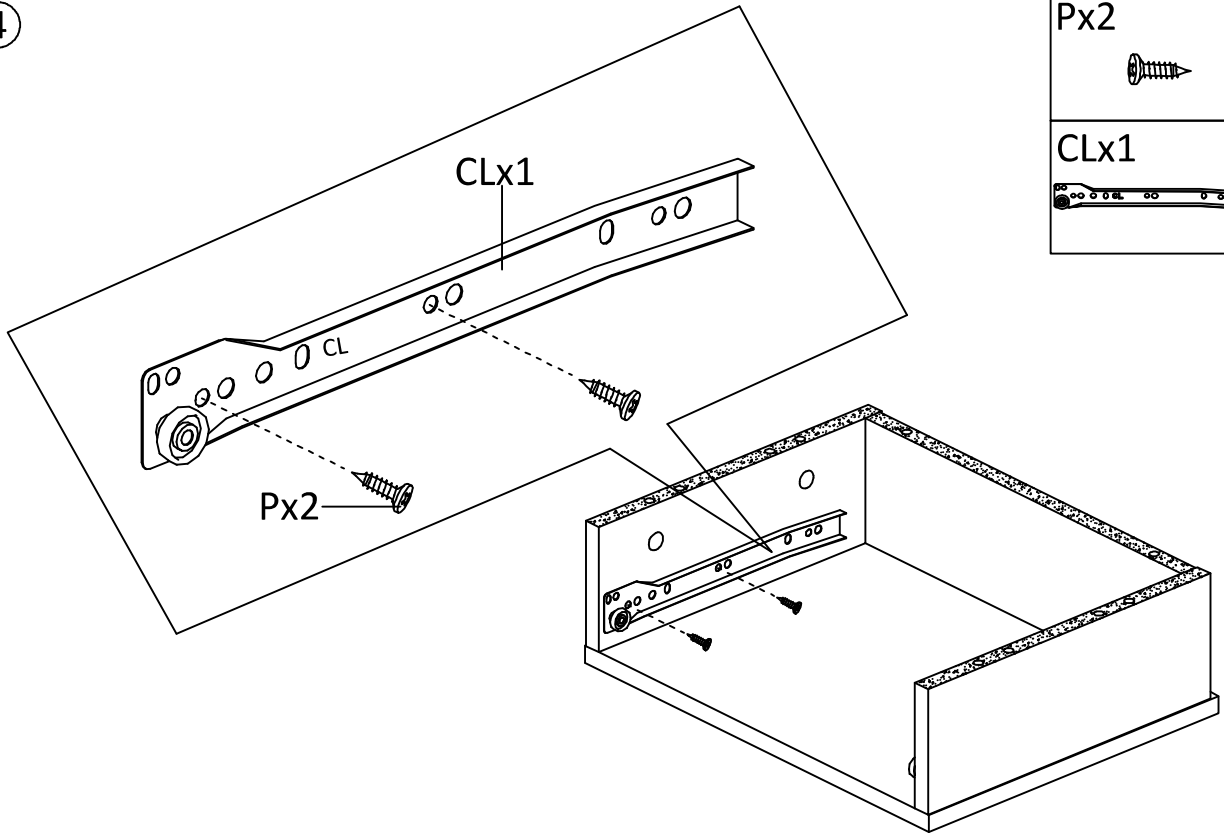


3

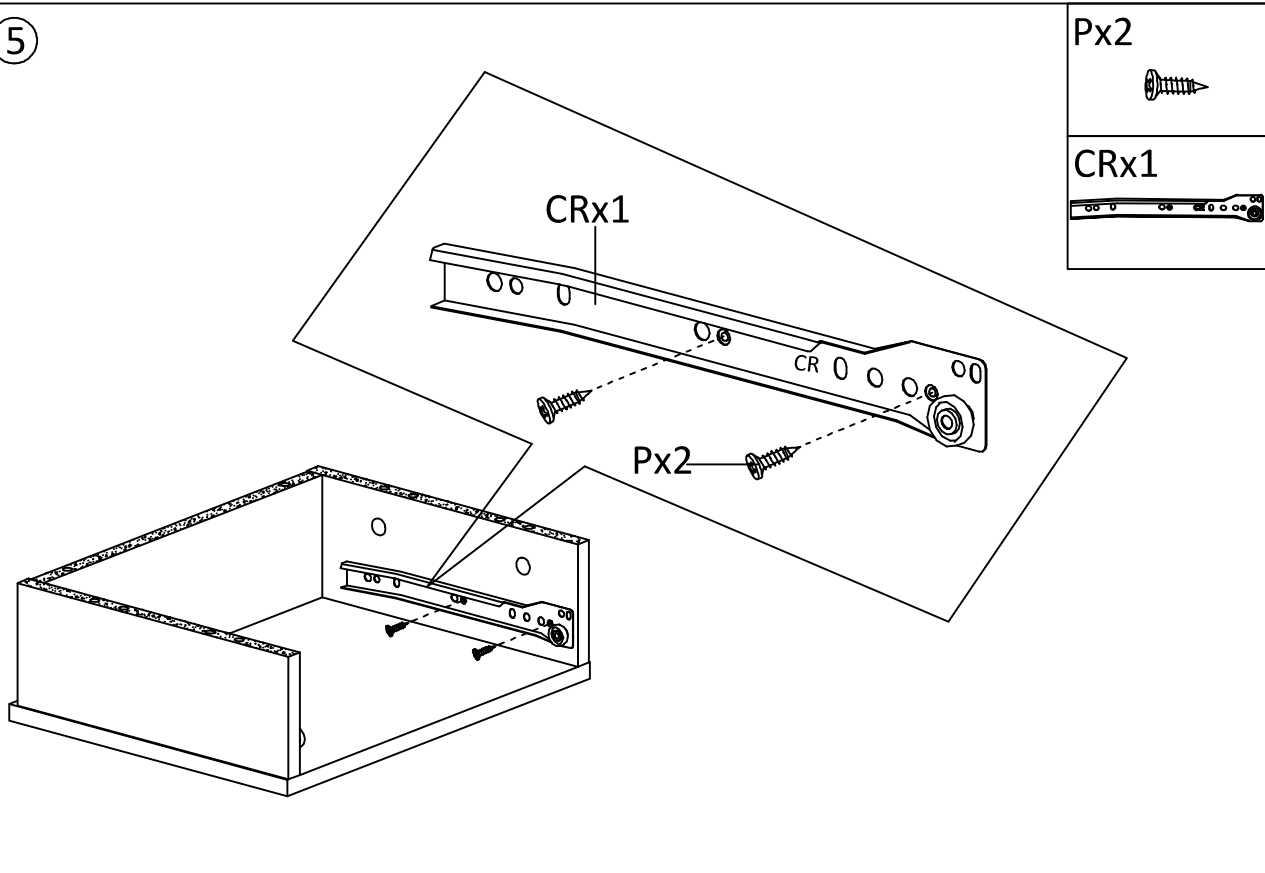
Kx4



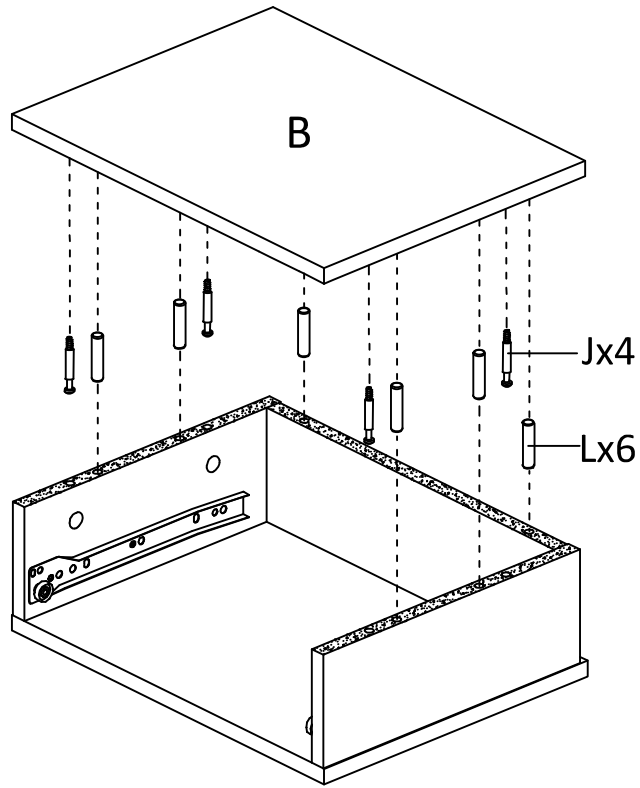
④



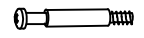
⑤



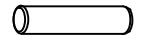
6



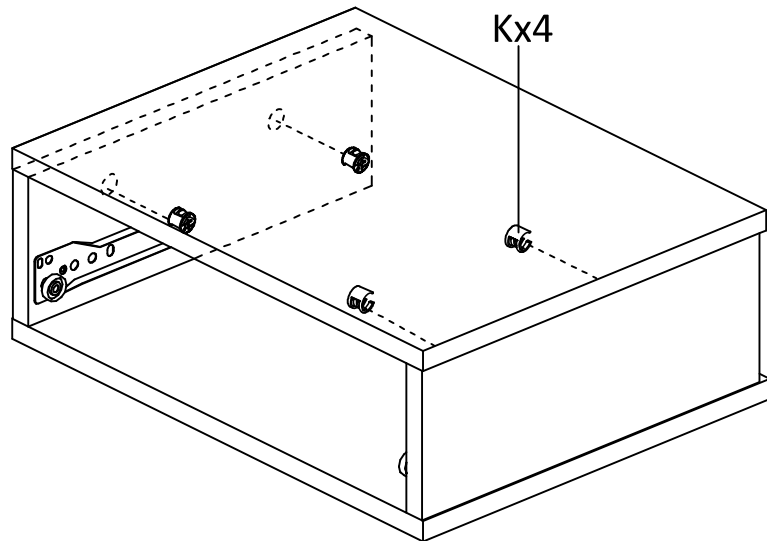
Jx4



Lx6



7

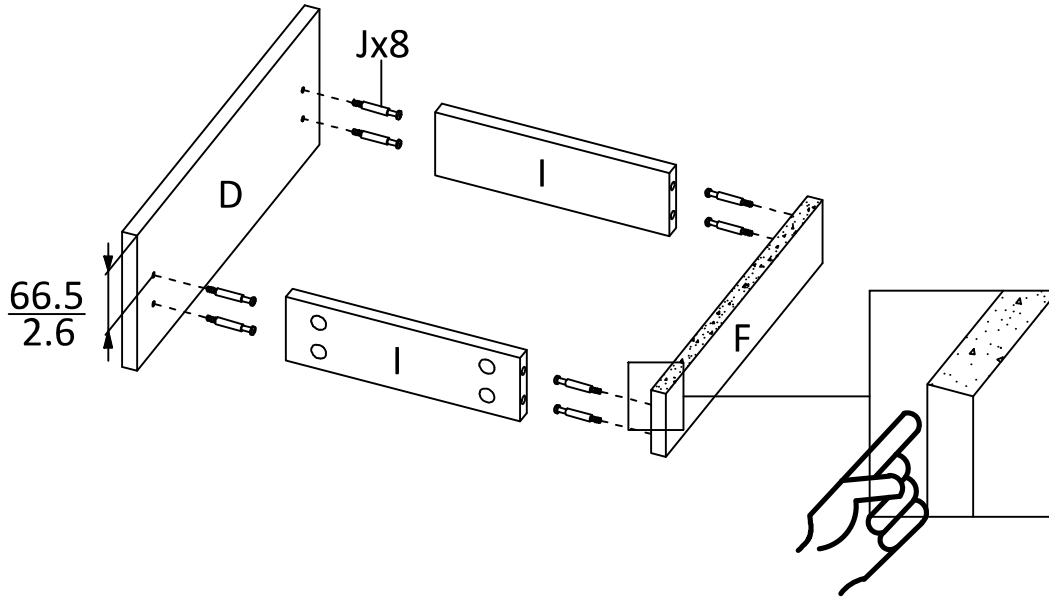
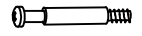


Kx4



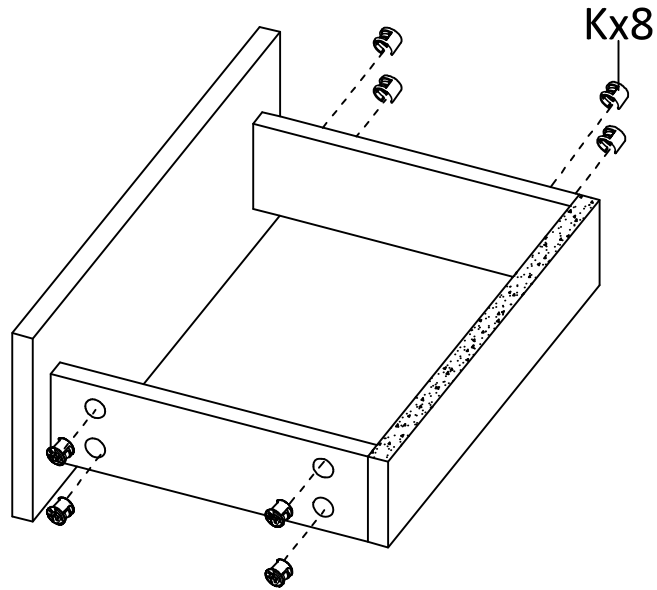
8

Jx8



9

Kx8

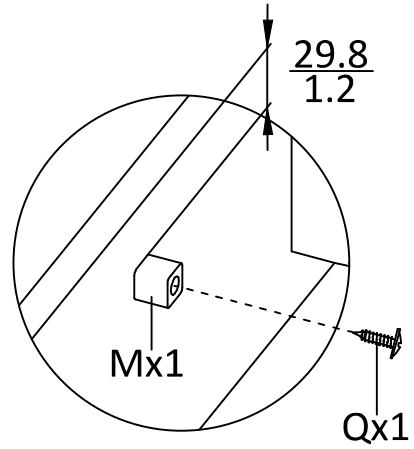
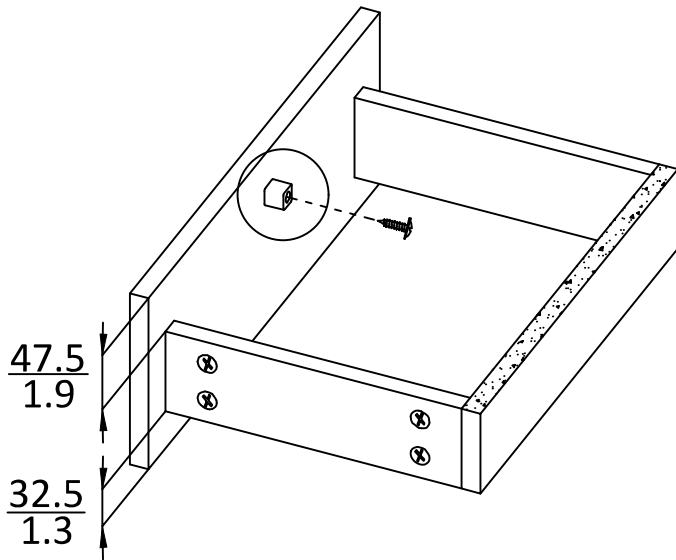


10

Mx1

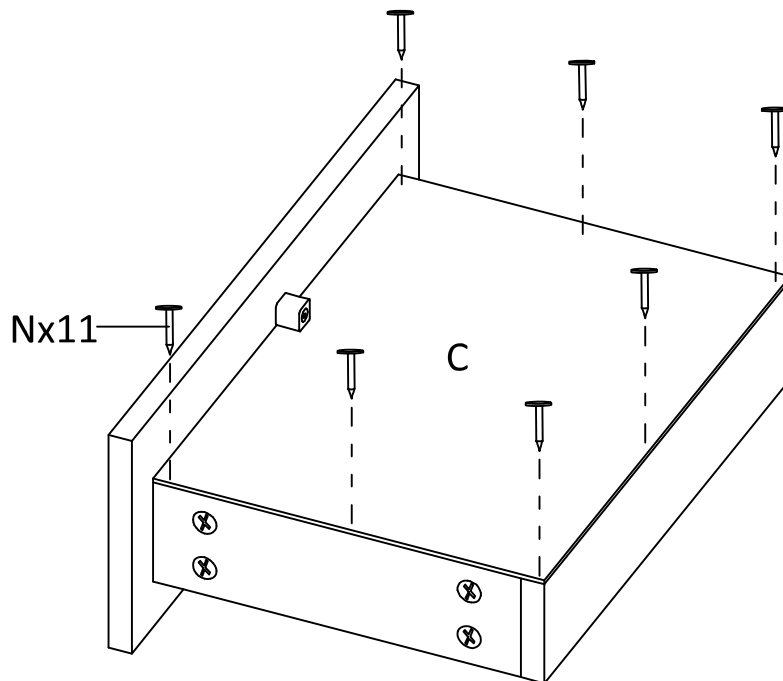


Qx1

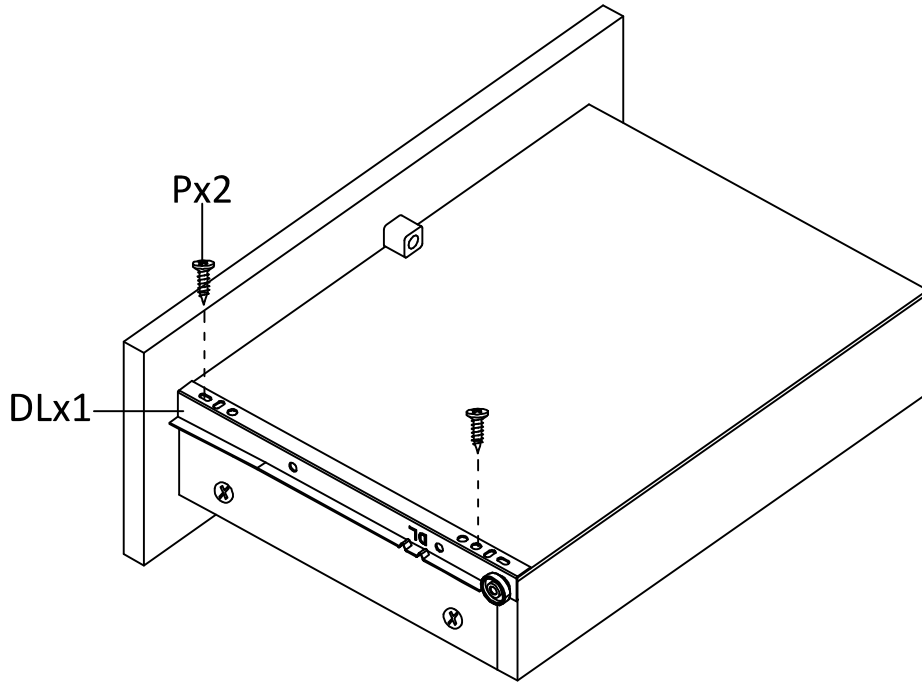


11

Nx11



12



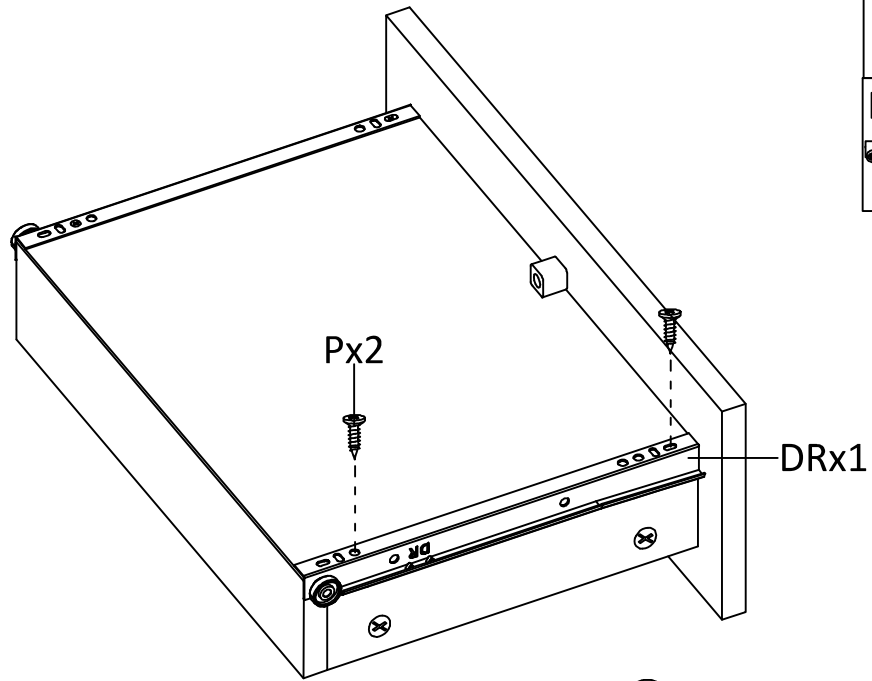
Px2



DLx1



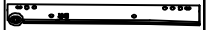
13



Px2

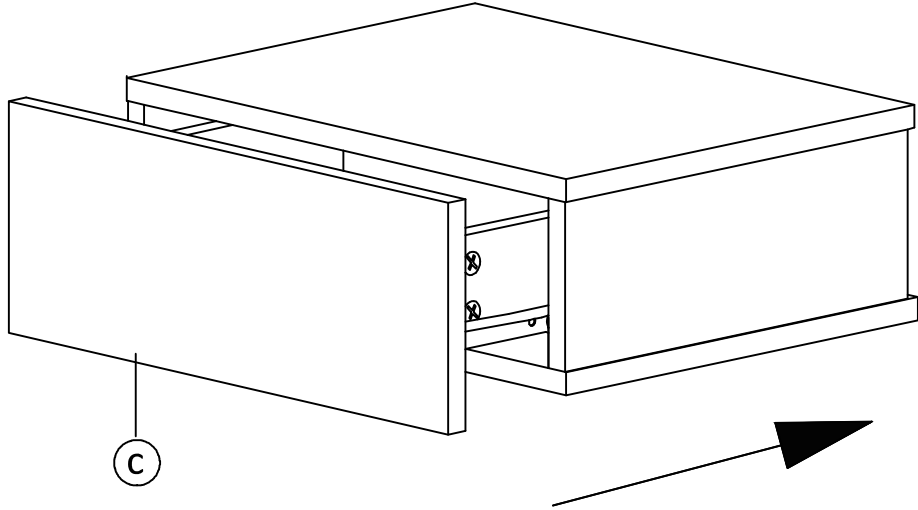


DRx1



C

14

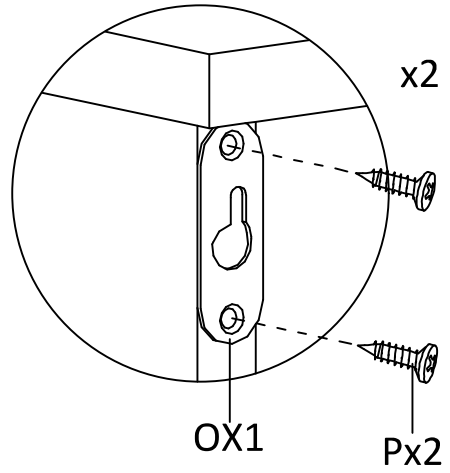
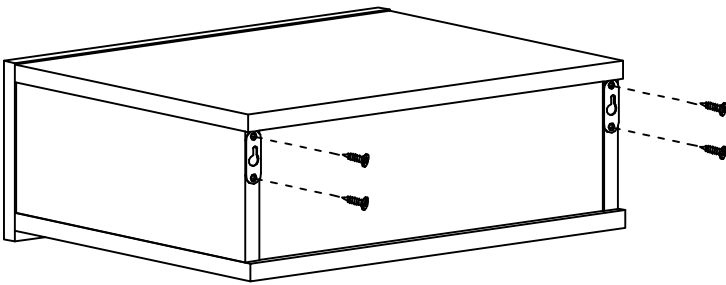


15

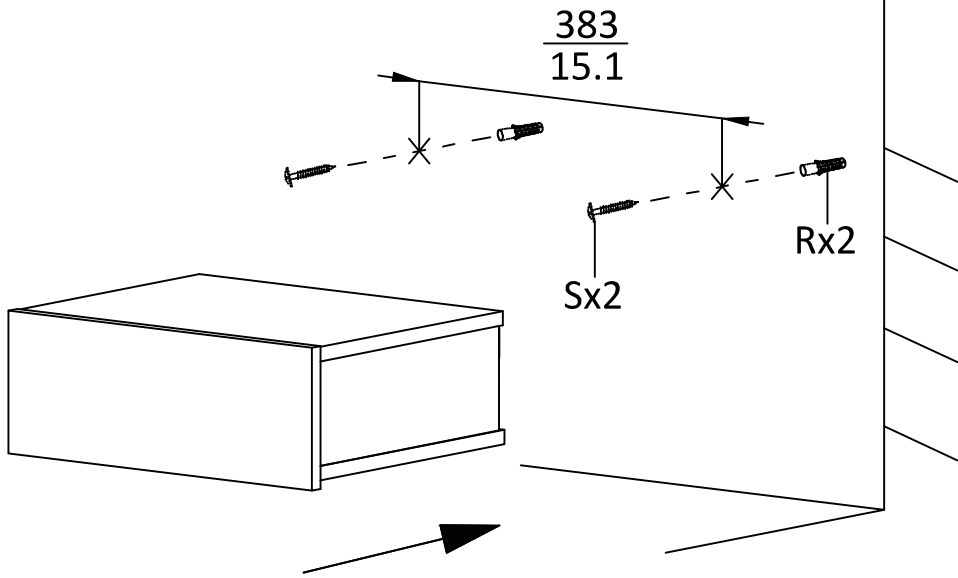
Ox2



Px4



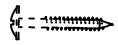
16



Rx2



Sx2



17

