

# NOTICE

- \* Please make sure that you have all parts indicated and they are in good condition before you begin assembly of this item. Refer to part list and hardware list below for guidance.
- \* This item should be assembled on a soft surface to prevent scratching the finish during assembly.
- \* This item may require periodic tightening.
- \* If you are having difficulty, our friendly Customer Care team is always here to help. Please email [customersupport@safavieh.com](mailto:customersupport@safavieh.com)

# PREPARATION

- \* Before beginning assembly of product, make sure all parts are present. Compare parts with part contents list and hardware contents list.
- \* If any part is missing or damaged, do not attempt to assemble the product.
- \* Estimated Assembly Time: 15 minutes.
- \* Tools Required for Assembly (included): Allen key

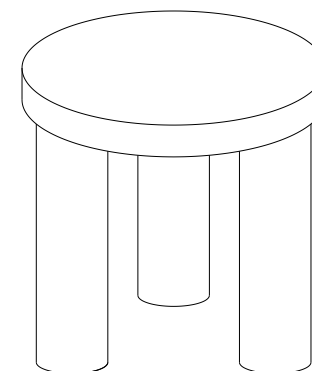
# CARE AND MAINTENANCE

- \* For daily maintenance, clean dust with soft dry cloth. Do not use abrasive cleaners.
- \* Spills should be removed immediately with damp and clean white cloth
- \* Avoid placing your furniture in direct sunlight. Fabric and finishing will fade over time
- \* Clean periodically with a dry cloth to remove residual dust and prevent dirt build up

# SAFAVIEH C O U T U R E



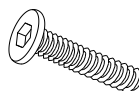
Item: SFV7715

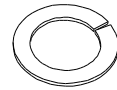
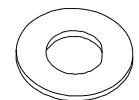

Product Dimensions: 15"W x 15"D x 17"H



Warning : Do not stand on table  
Warning : Do not over torque bolts.

## Part List and Hardware List

PIECE	DESCRIPTION	PICTURE	QUANTITY
A	Top		1 x
B	Leg		3 x
HW1	Allen Bolt 8 x 60mm		3 x

PIECE	DESCRIPTION	PICTURE	QUANTITY
HW2	Lock Washer 8mm		3 x
HW3	Flat Washer 8 x 18 x 2mm		3 x
HW4	Allen key 4mm		1 x

# PREPARATION

- \* Before beginning assembly of product, make sure all parts are present. Compare parts with part contents list and hardware contents list.
- \* If any part is missing or damaged, do not attempt to assemble the product.
- \* Estimated Assembly Time: 15 minutes.
- \* Tools Required for Assembly (included): Allen key
- \* If you are having difficulty, our friendly Customer Care team is always here to help. Please email [customersupport@safavieh.com](mailto:customersupport@safavieh.com)

<p><b>STEP 1:</b> Insert the dowel pins on the legs (B) into the predrilled holes in the corner blocks on the top (A). Place the lock washer (HW2) and the flat washer (HW3) on the Allen bolt (HW1) as shown. Insert the Allen bolt with the washers into the female nut and use the Allen key (HW4) to tighten as shown. Repeat for other 2 legs.</p>	<p><b>STEP 2:</b> Adjust the levelers on the bottom of the legs as needed to make the table even.</p>