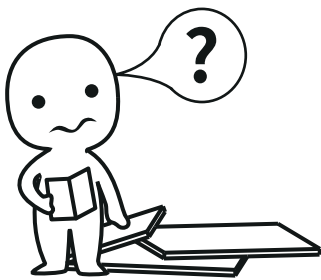


INSTALLATION

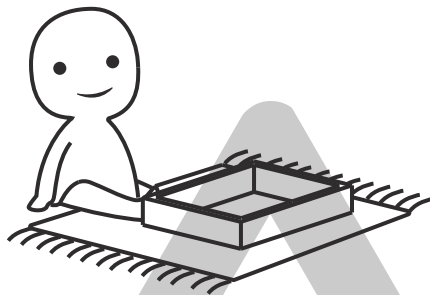
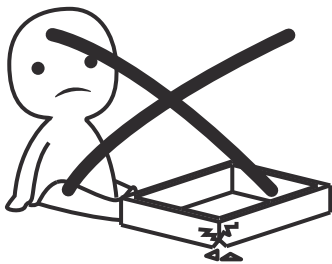
Product Manual

Version: 210376US-01-25A-AA



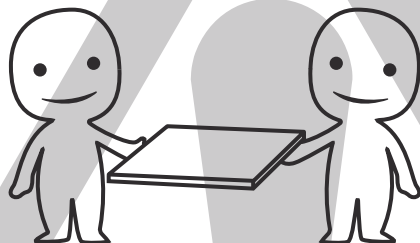
IMPORTANT INFORMATION!

please read the entire manual before starting to assemble and/or using this product. follow the manual thoroughly and keep it for further reference.



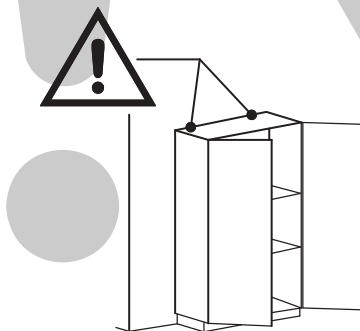
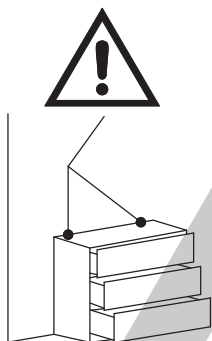
AVOID SCRATCHES!

In order to avoid scratching this furniture should be assembled on a soft layer - could be a rug.



IMPROVE EFFICIENCY !

Try to find a partner to install with you, which can speed up the installation efficiency and shorten the time.



ANTI-TOPPLE WARNING !

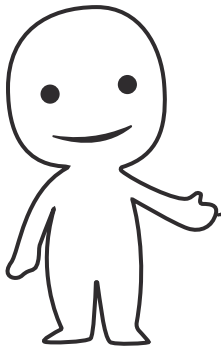
Overtipped furniture can cause serious or fatal crush injuries. To prevent tipping over, be sure to use the wall attachment, if not included with this product. Please purchase the wall attachment that fit your wall. If unsure, seek professional advice. Please read and follow each step of the instructions carefully.

IMPORTANT !

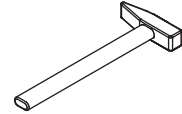
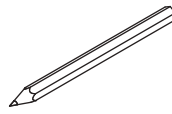
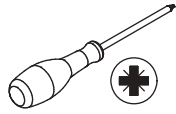
It is important that any product which is assembled using any kind of screw is re-tightened 2 weeks after assembly, and once every 3 months - in order to assure stability through-out the lifespan of the product.

For regular maintenance and cleaning of the product, for the frame, please use a rag dipped in neutral detergent to fully wipe it, and then dry it with a clean rag. For glass materials, wipe with a rag dampened with water glass cleaner, and then dry with a dry rag.

Do not use an electric screwdriver, and do not use too much force when installing, because the board is easy to break.

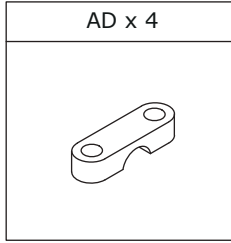
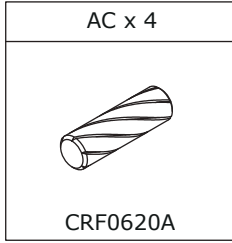
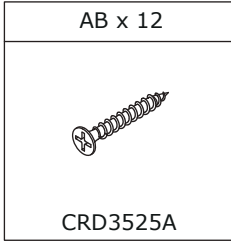
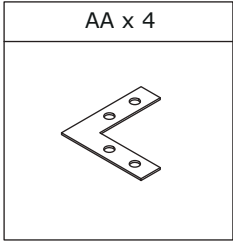


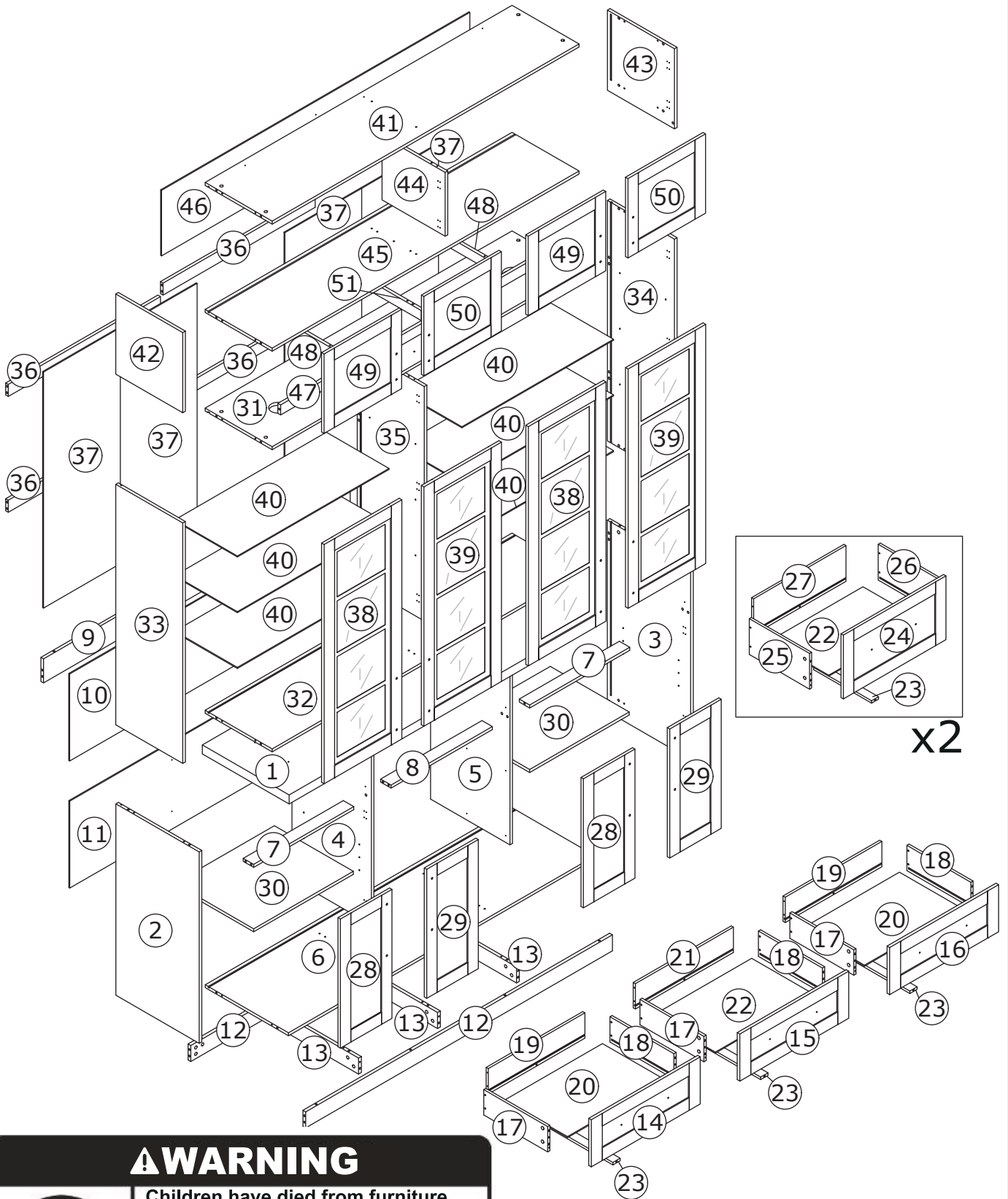
Please prepare the following tools



When installing, please carefully confirm whether each screw corresponds to the manual, accessories with similar shapes can be distinguished by size

A x 130 CRB1595A	B x 130 CRA0635B	C x 130 CRF0630A	D x 70 CRF0630A	E x 8 CRF0630A
F x 37 CRC0540A	G x 14 DGA861A	H x 14 DGA861B	J x 213 CRD3514A	K x 5 WX1014A
L x 40 CRD3512A	M x 3 DGA861A	N x 24 DGA861A	P x 1 P-1 P-2 x4	
Q x 3 DGA861A	R x 3 DGA861A	S x 3 CRD3535A	T x 52 DGA861A	U x 52 CRD0314A
V x 4 DGA861A	W x 13 DGA861A	X x 10 CRE0412A	Y x 24 CRE0418A	Z x 8 CRD3520A





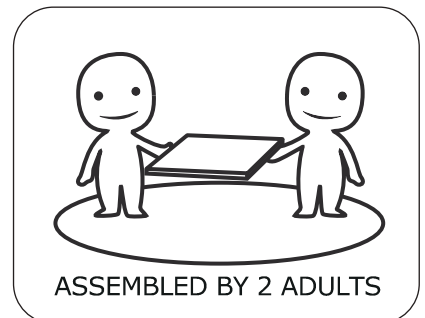
⚠ WARNING



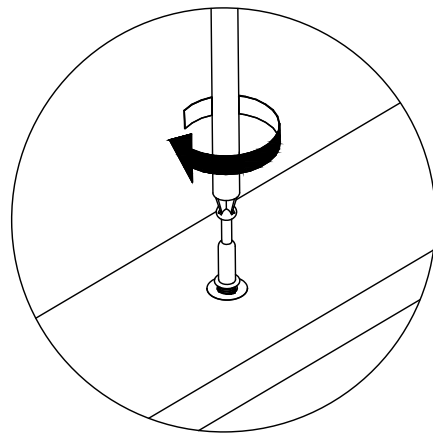
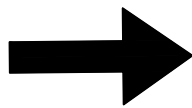
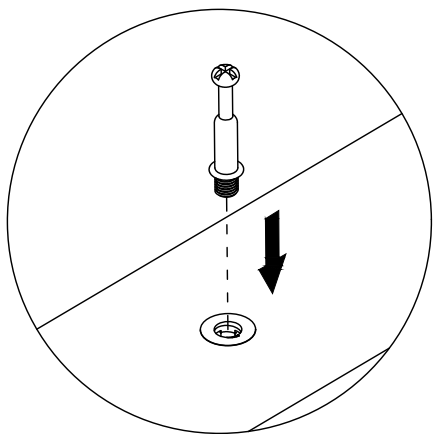
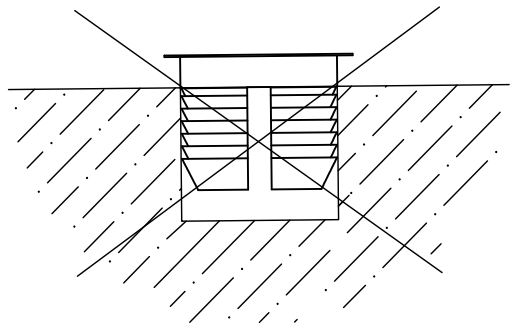
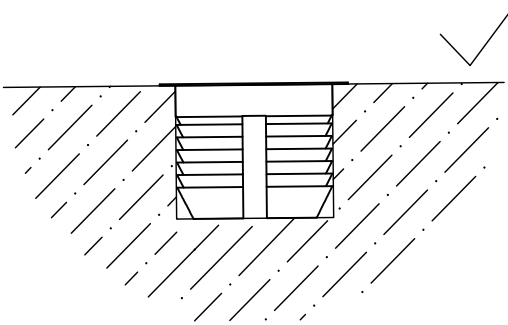
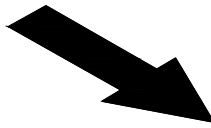
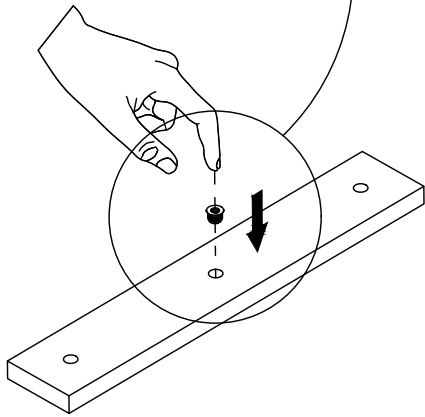
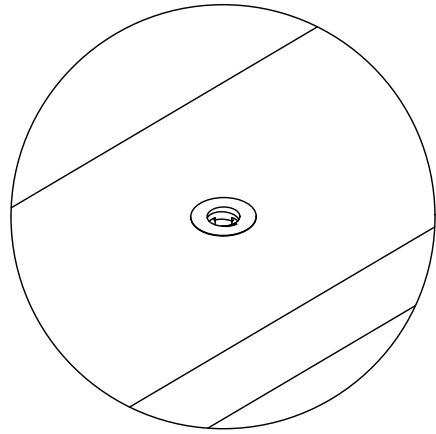
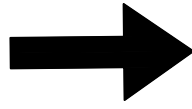
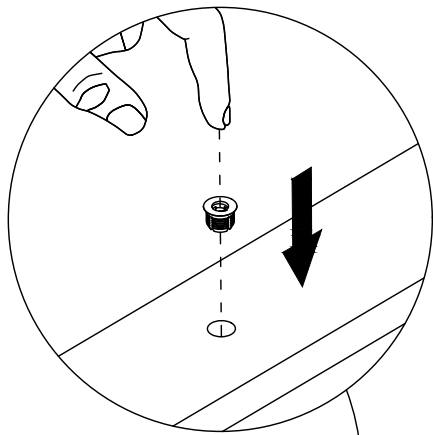
Children have died from furniture tipover. To reduce the risk of furniture tipover:

- ALWAYS install Anti-tip device provided.
- NEVER put a TV on this product.
- NEVER allow children to stand, climb or hang on drawers, doors, or shelves.
- NEVER open more than one drawer at a time.
- Place heaviest items in the lowest drawers.

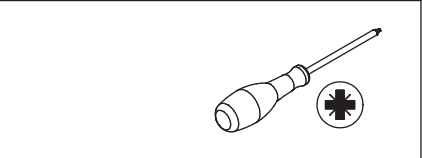
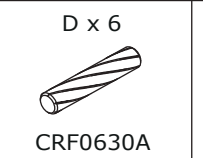
*This is a permanent label.
Do not remove!*



ASSEMBLED BY 2 ADULTS

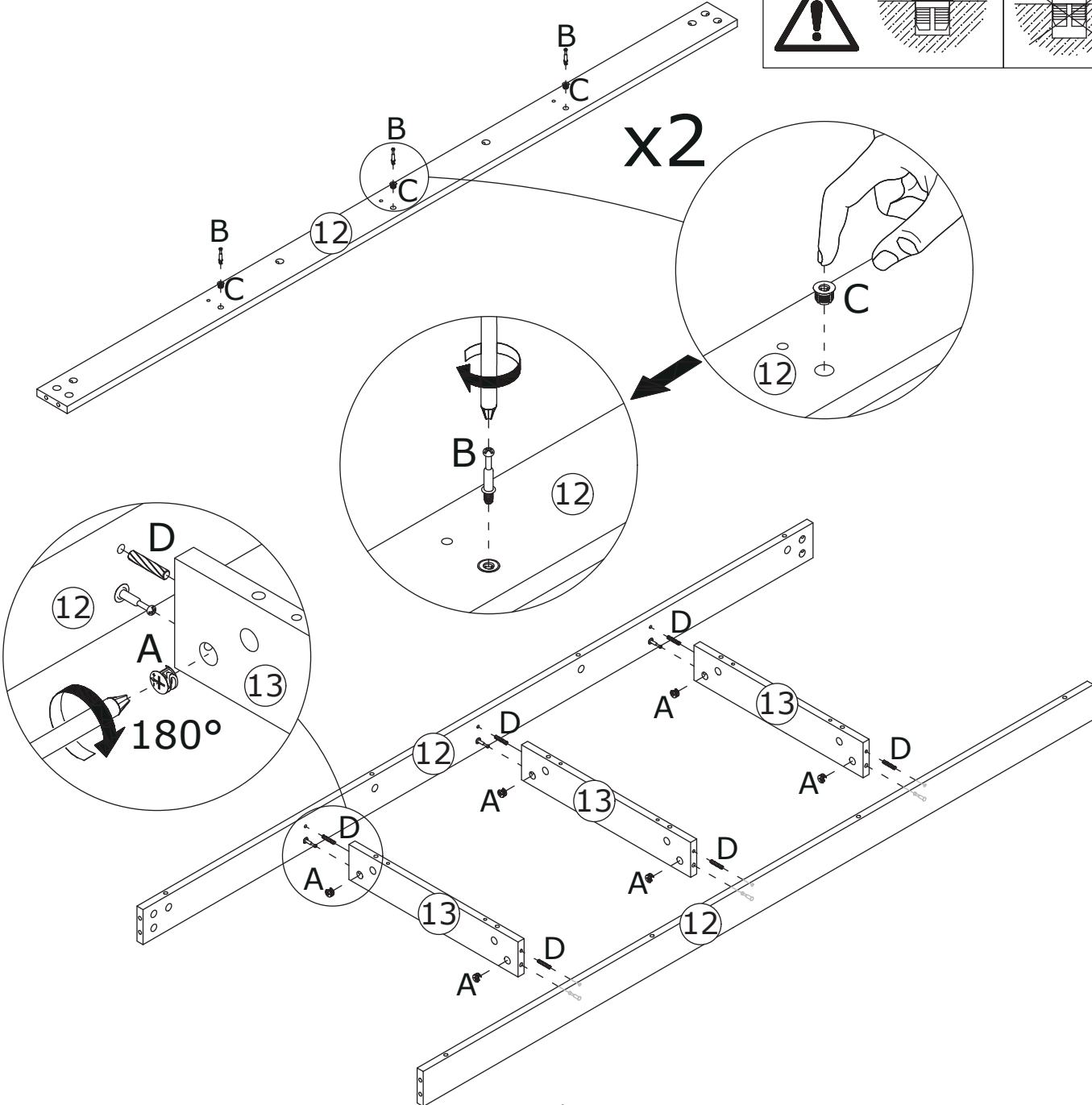
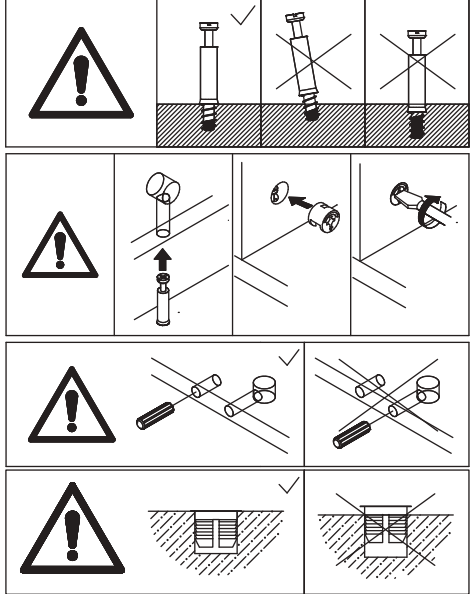


1

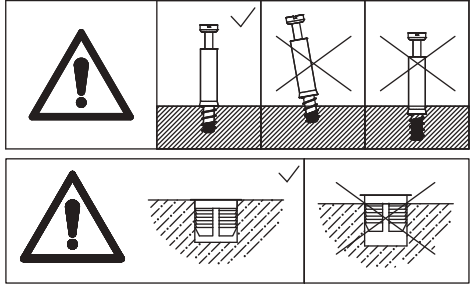


Insert plug (C) into panel 12, screw self-tapping rod (B) onto panel 12.

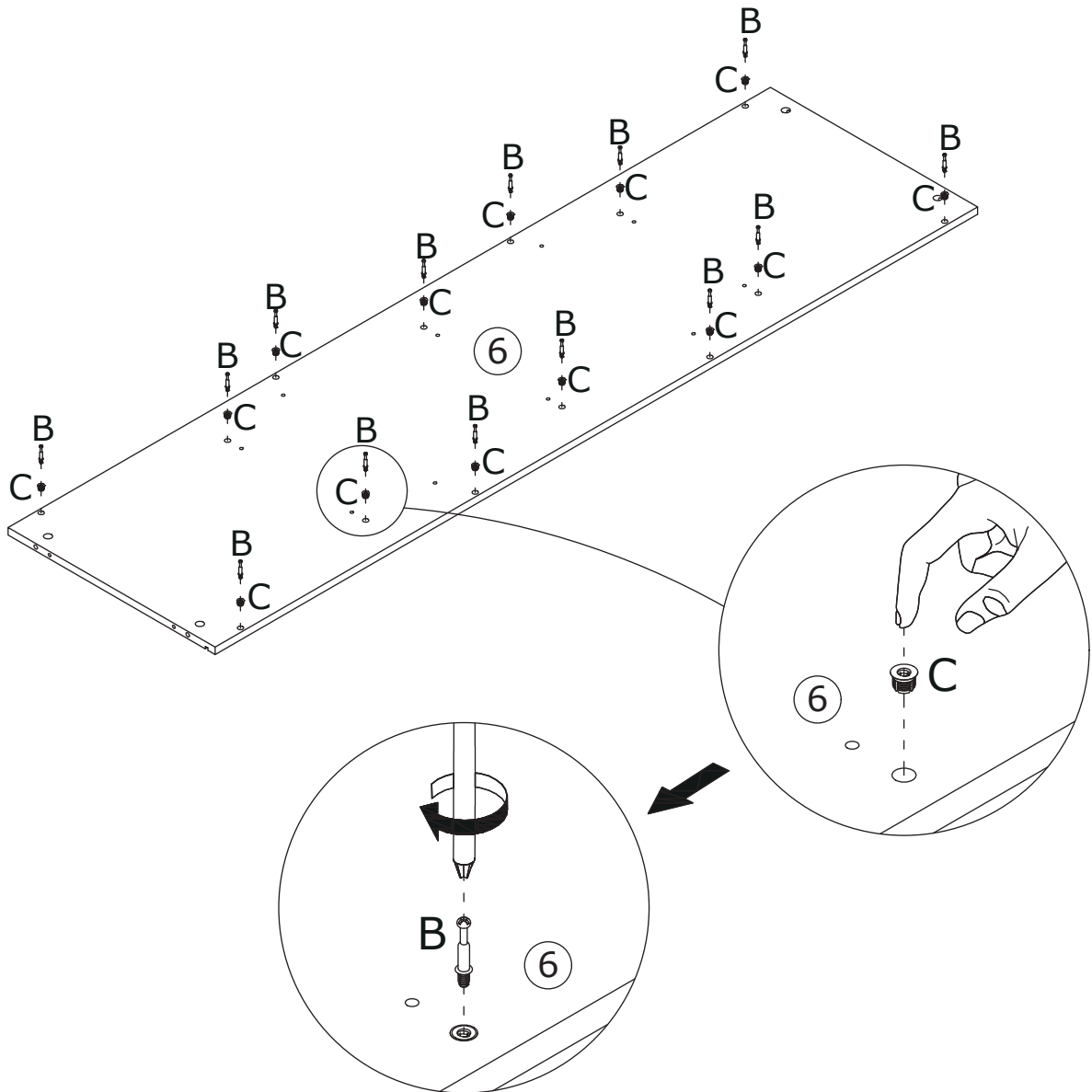
Connect panel 12 to panel 13 using wooden dowel (D), tighten by turning eccentric wheel (A) clockwise.



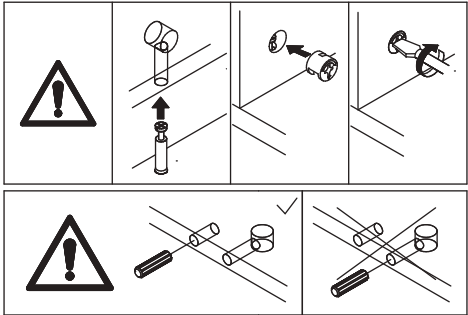
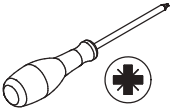
2



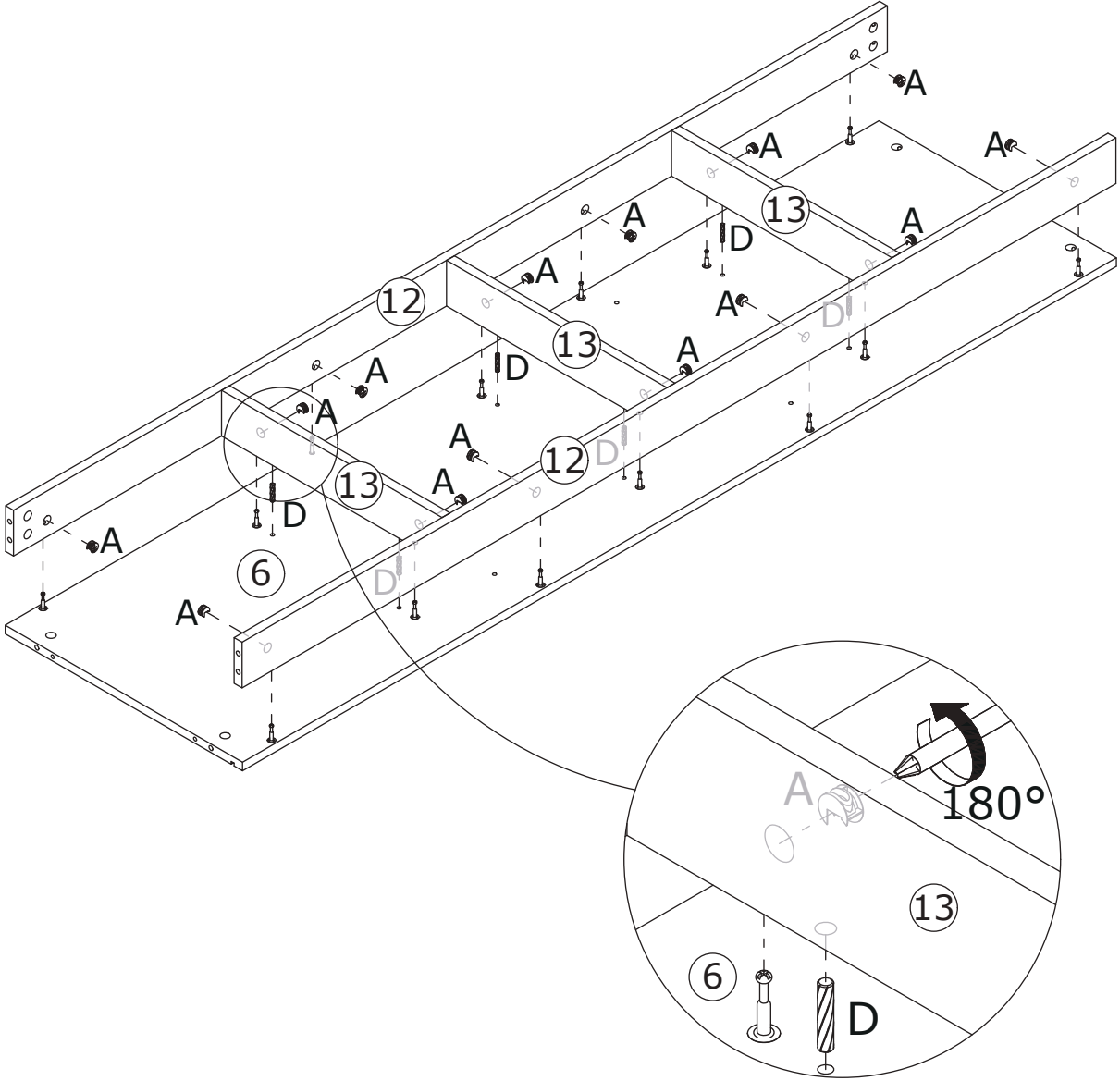
Insert plug (C) into panel 6, then screw self-tapping rod (B) onto panel 6.



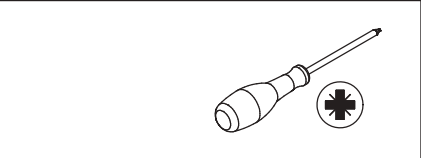
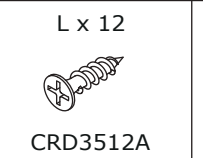
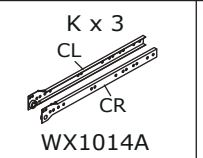
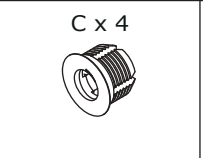
3



Attach panel 12 and 13 to panel 6 using wooden dowel (D), then tighten by turning eccentric wheel (A) clockwise.

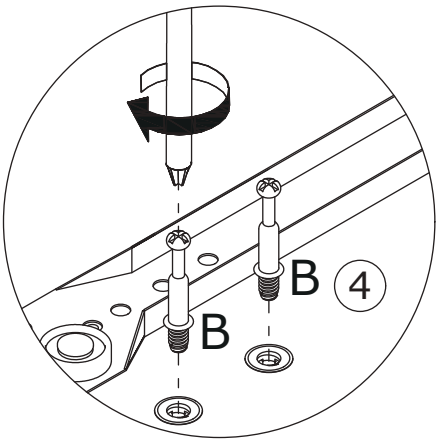
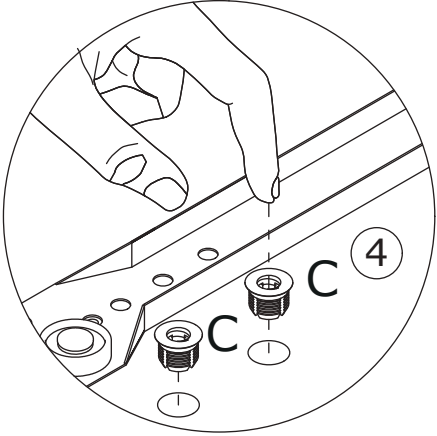
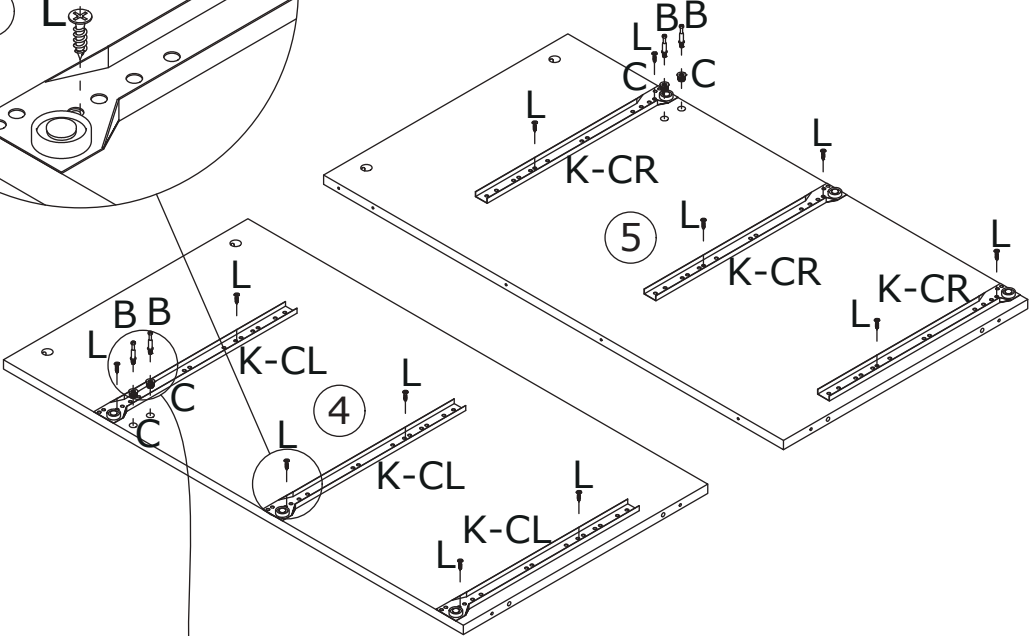
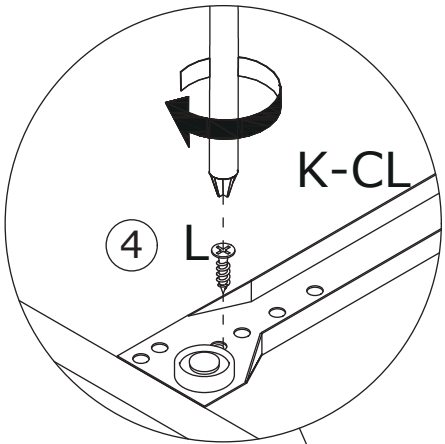
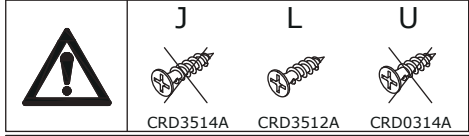
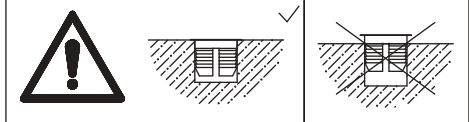
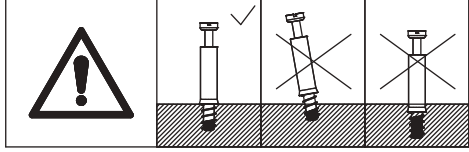


4



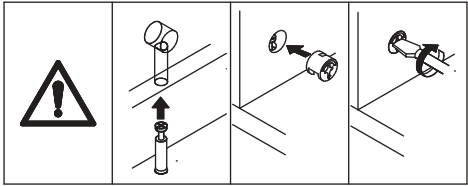
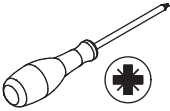
Insert plug (C) into panel 4 and 5, then screw self-tapping rod (B) onto panel 4 and 5.

Secure slide rail (K-CL) and (K-CR) to panel 4 and 5 using screw (L).

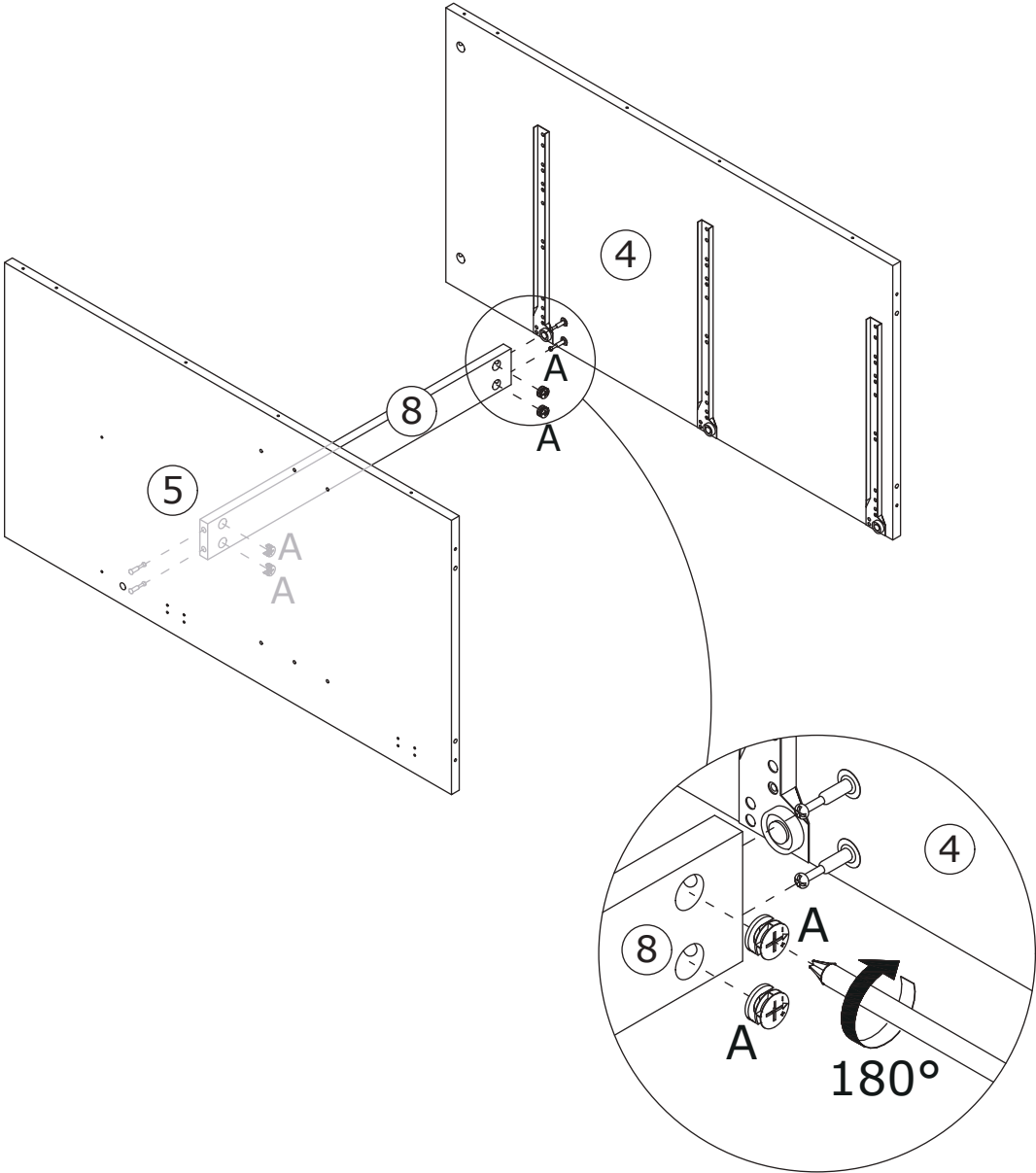


5

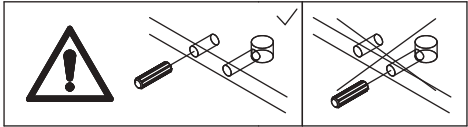
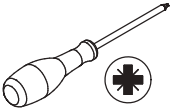
A x 4
CRB1595A



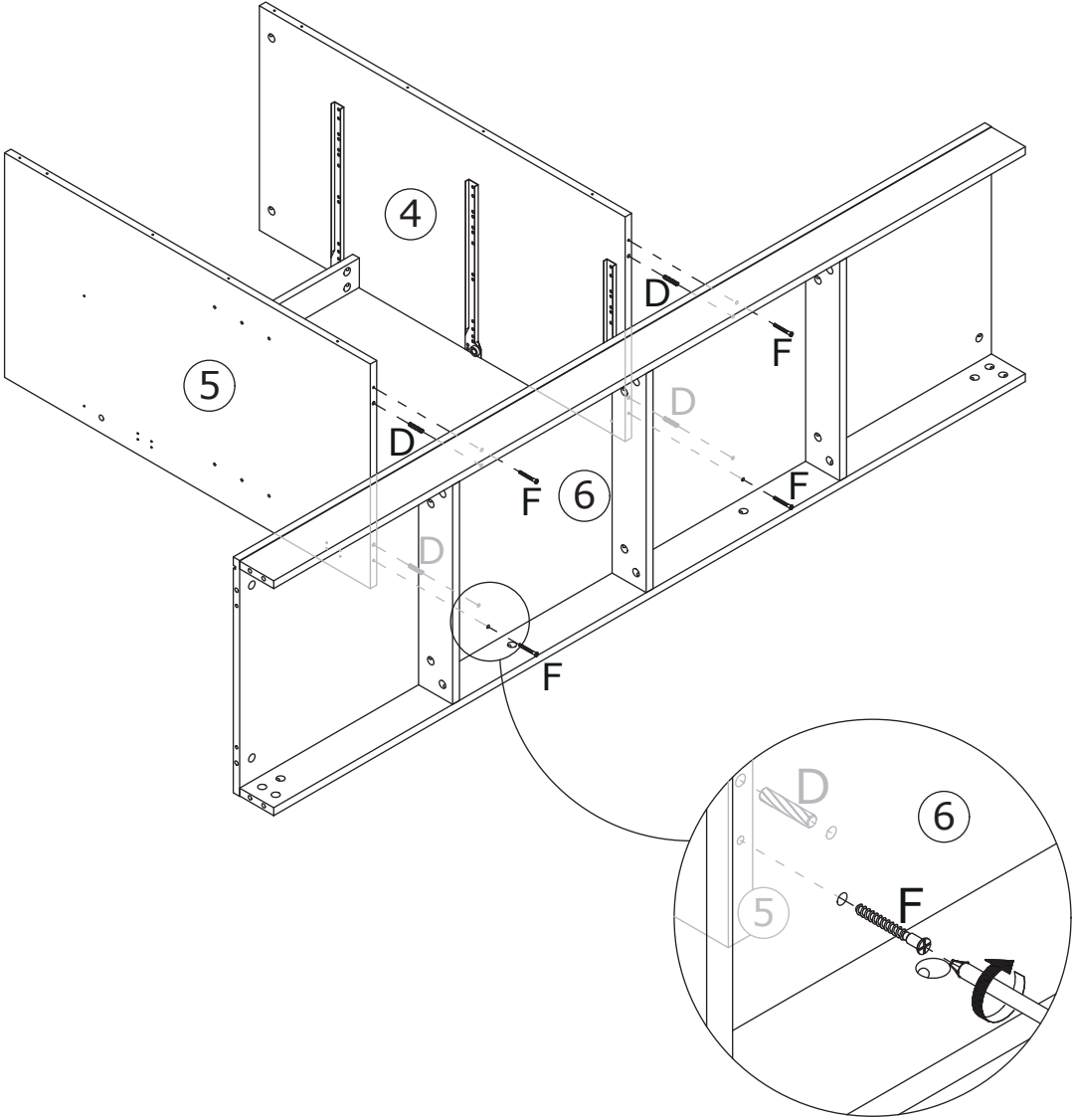
Connect panel 8 to panel 4 and 5, then tighten by turning eccentric wheel (A) clockwise.



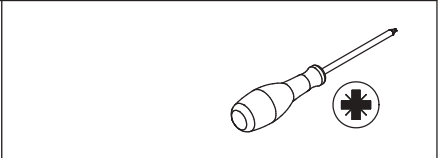
6



Attach panel 6 to panel 4 and 5 using wooden dowel (D), then secure with screw (F).

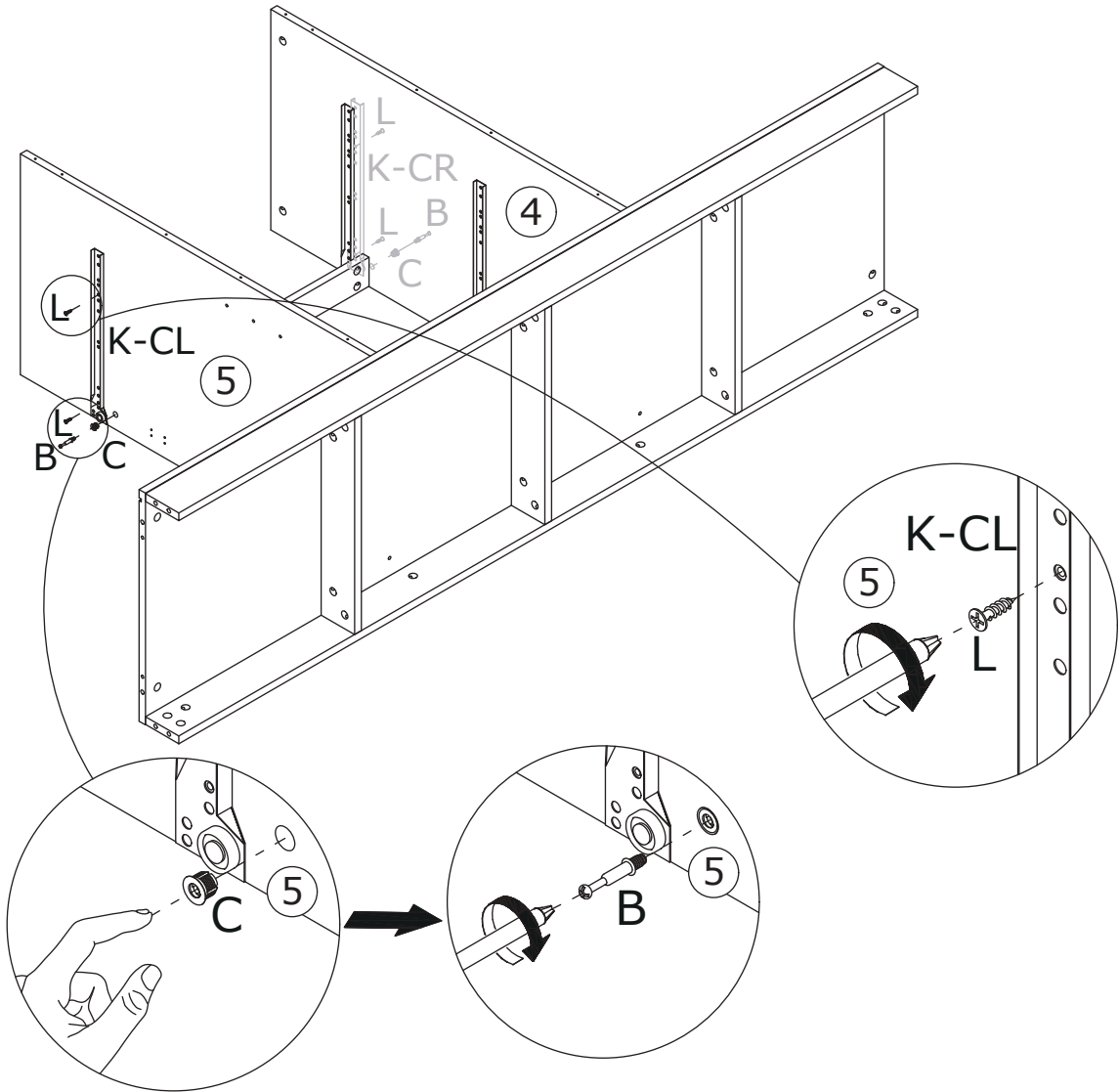
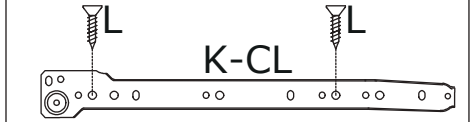
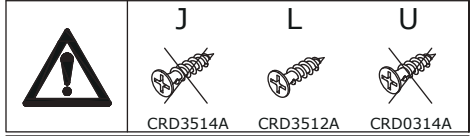
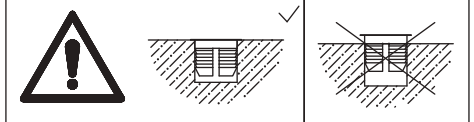
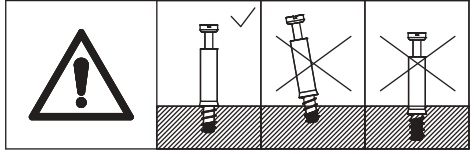


7

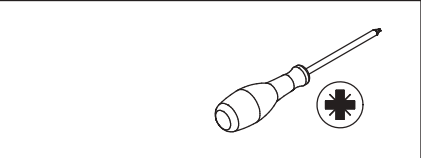
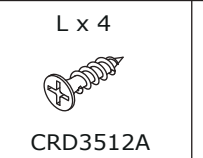
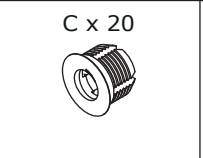


Insert plug (C) into panel 4 and 5, then screw self-tapping rod (B) onto panel 4 and 5.

Secure slide rail (K-CR) and (K-CL) to panel 4 and 5 using screw (L).

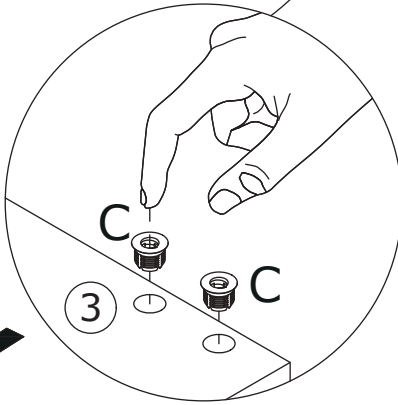
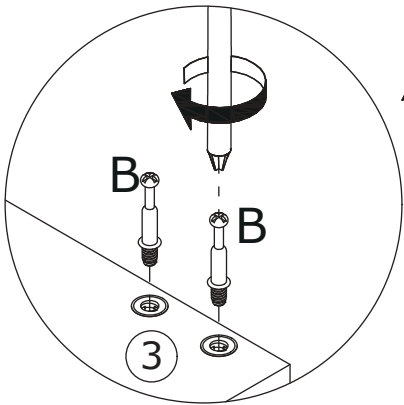
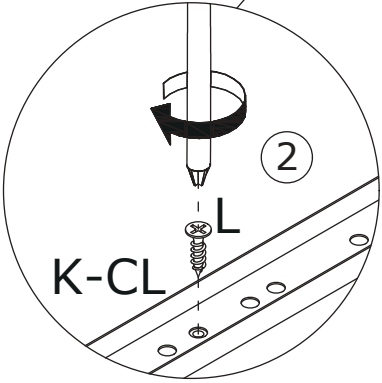
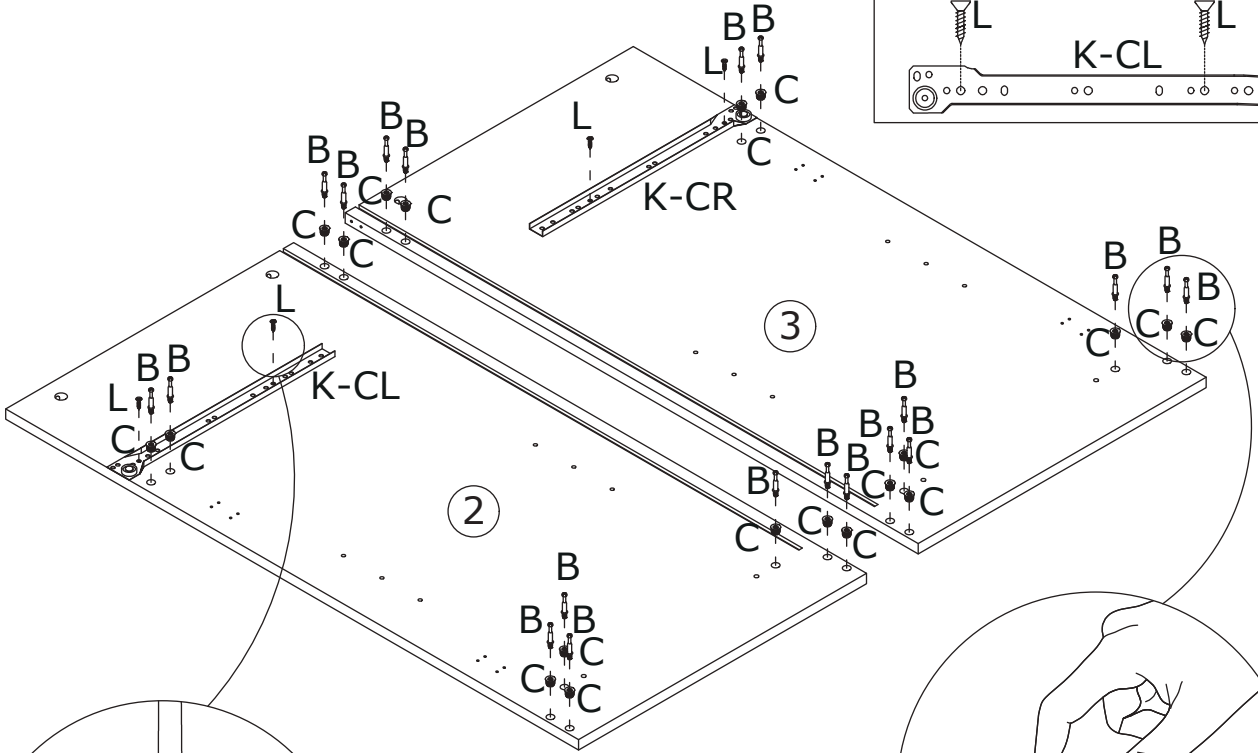
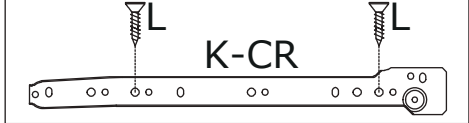
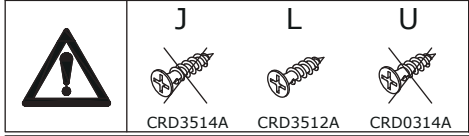
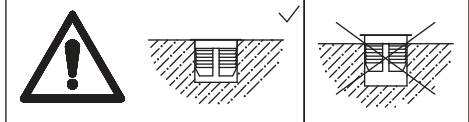
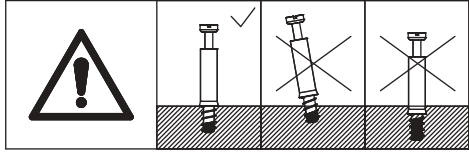


8

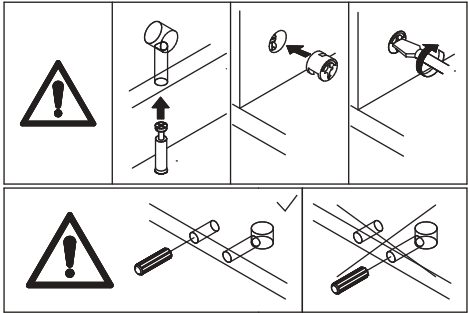
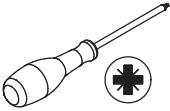
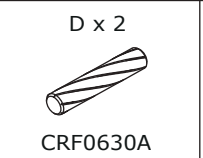


Insert plug (C) into panel 2 and 3, then screw self-tapping rod (B) onto panel 2 and 3.

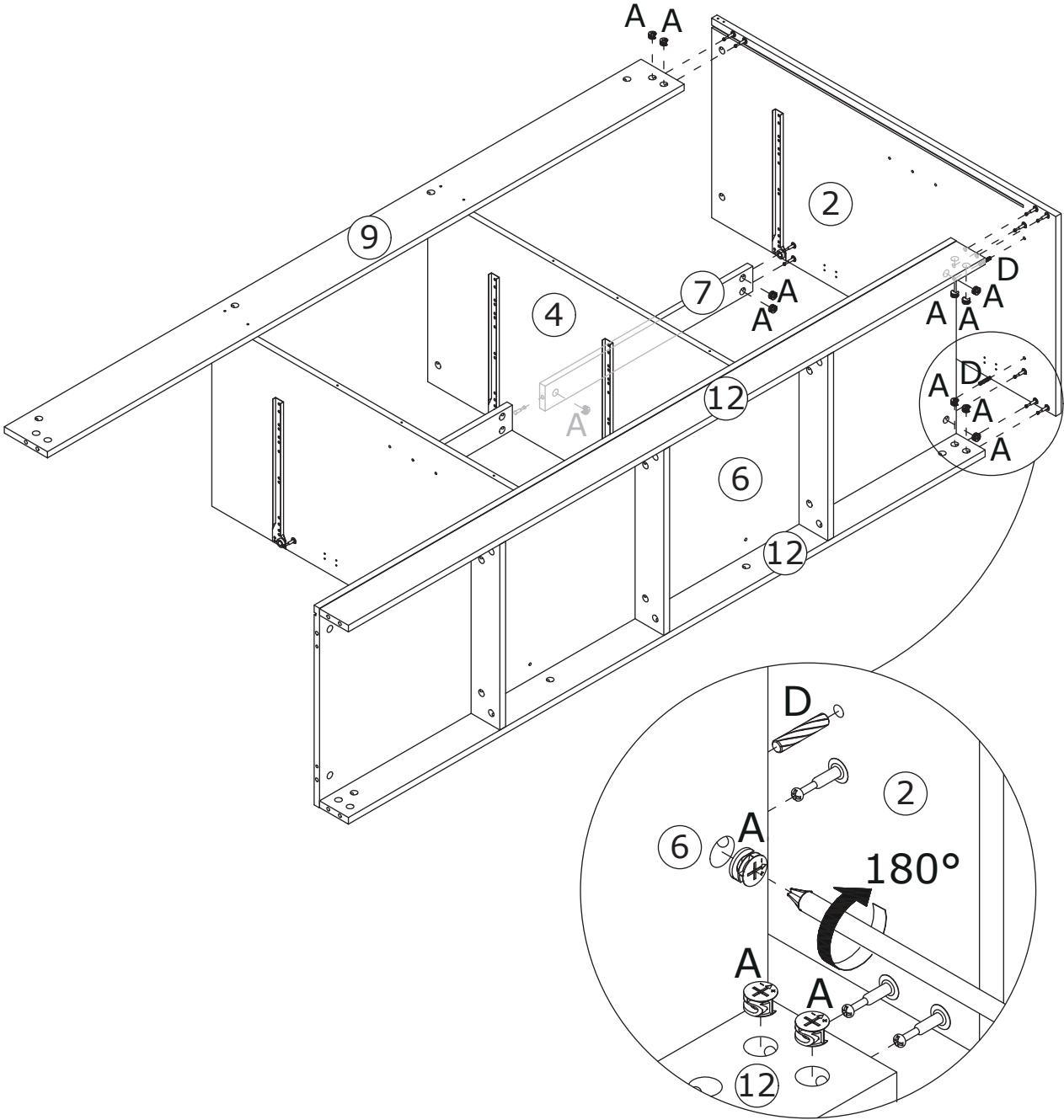
Secure slide rail (K-CL) and (K-CR) to panel 2 and 3 using screw (L).



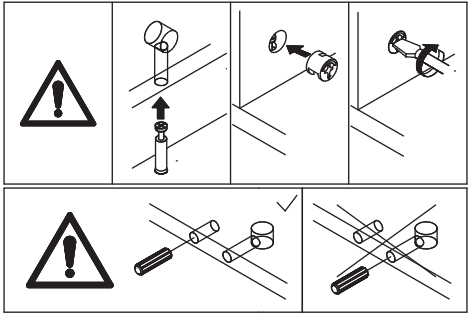
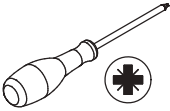
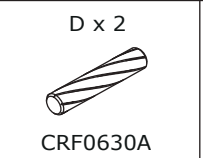
9



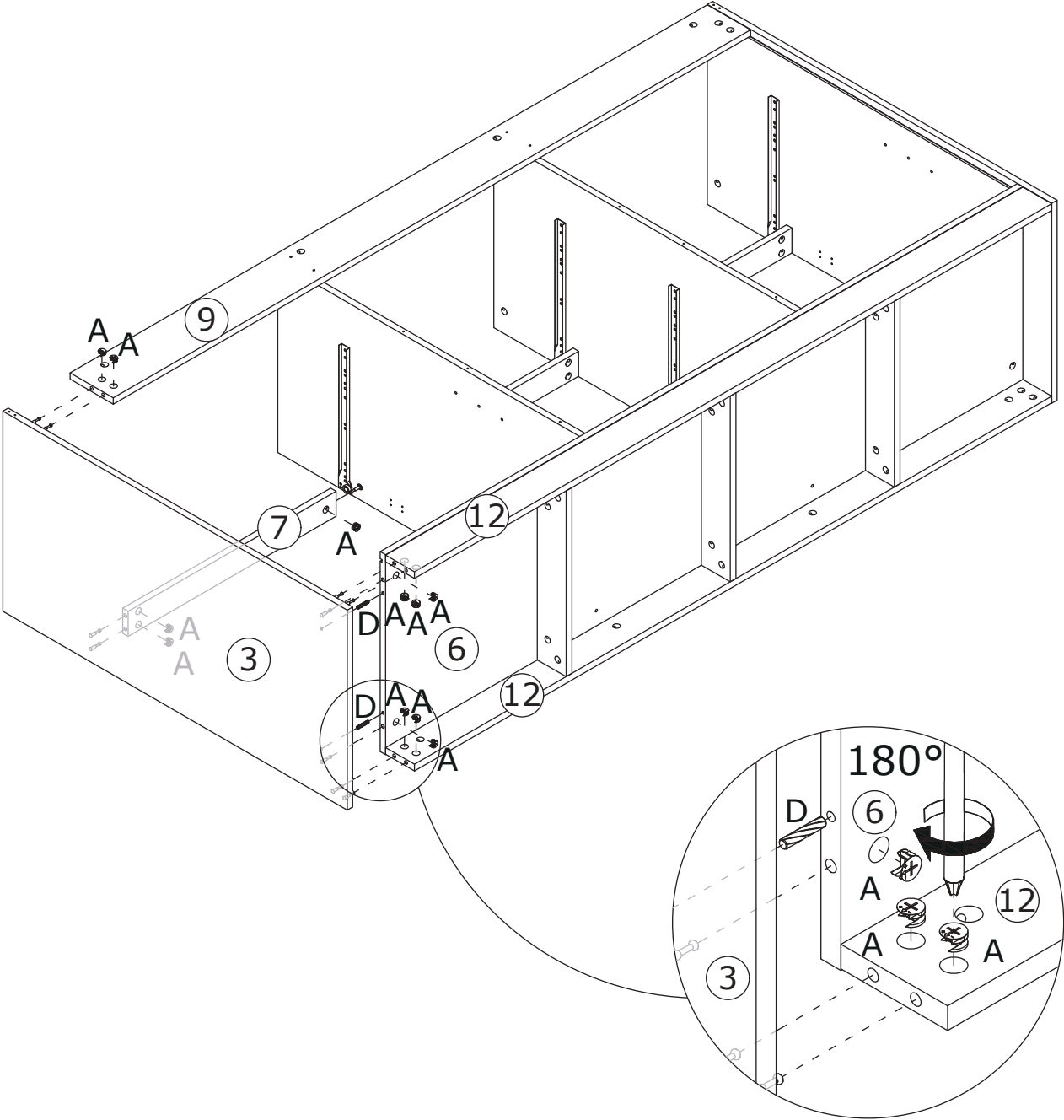
Insert wooden dowel (D) into panel 6.
Connect panel 2 to panel 6, 12, 7, and 9, then tighten by turning eccentric wheel (A) clockwise.



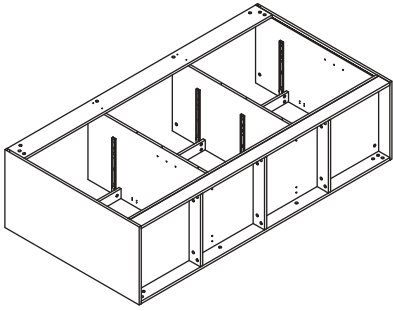
10



Insert wooden dowel (D) into panel 6.
Connect panel 3 to panel 6, 12, 7, and 9, then tighten by turning eccentric wheel (A) clockwise.

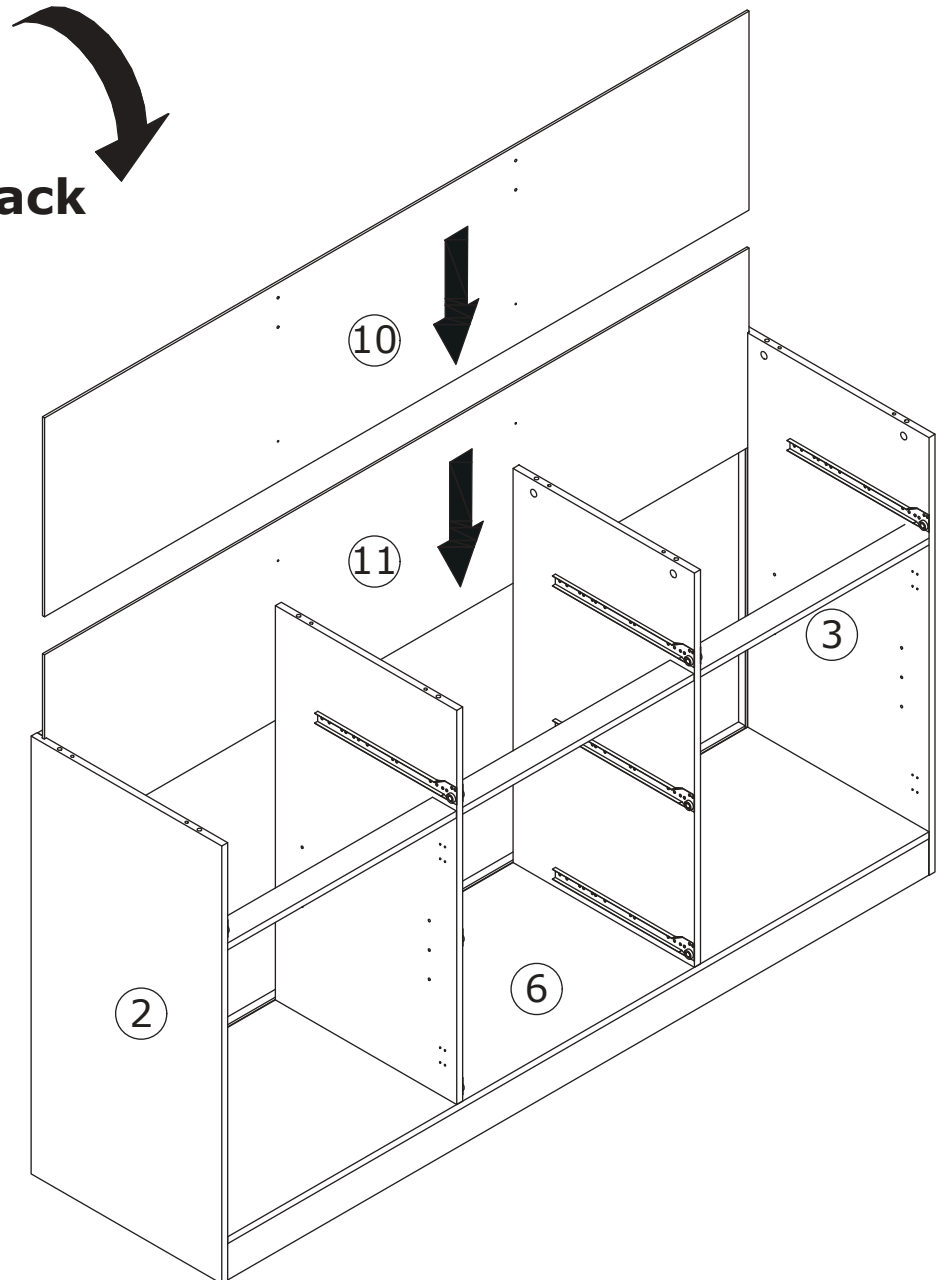


11

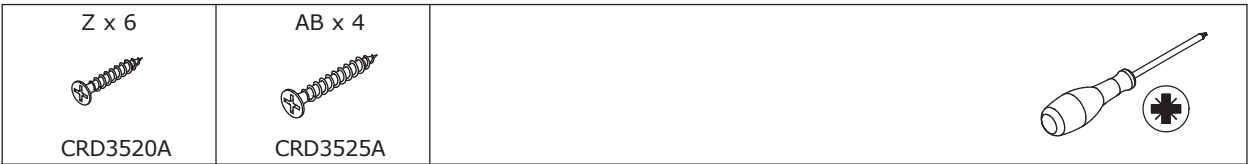


Flip the cabinet body and insert panel 10 and 11 along the available slots.

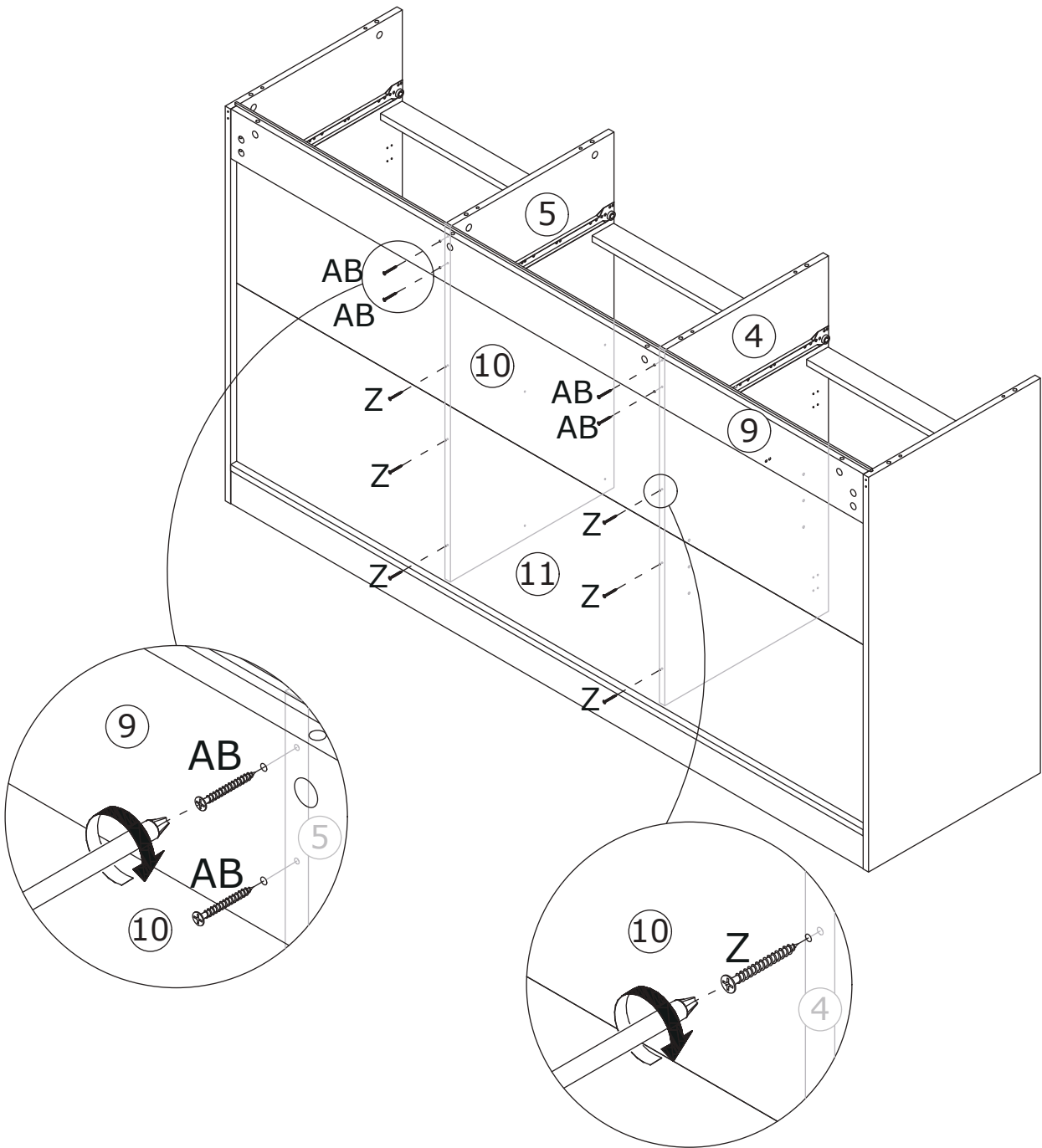
Flip to back



12



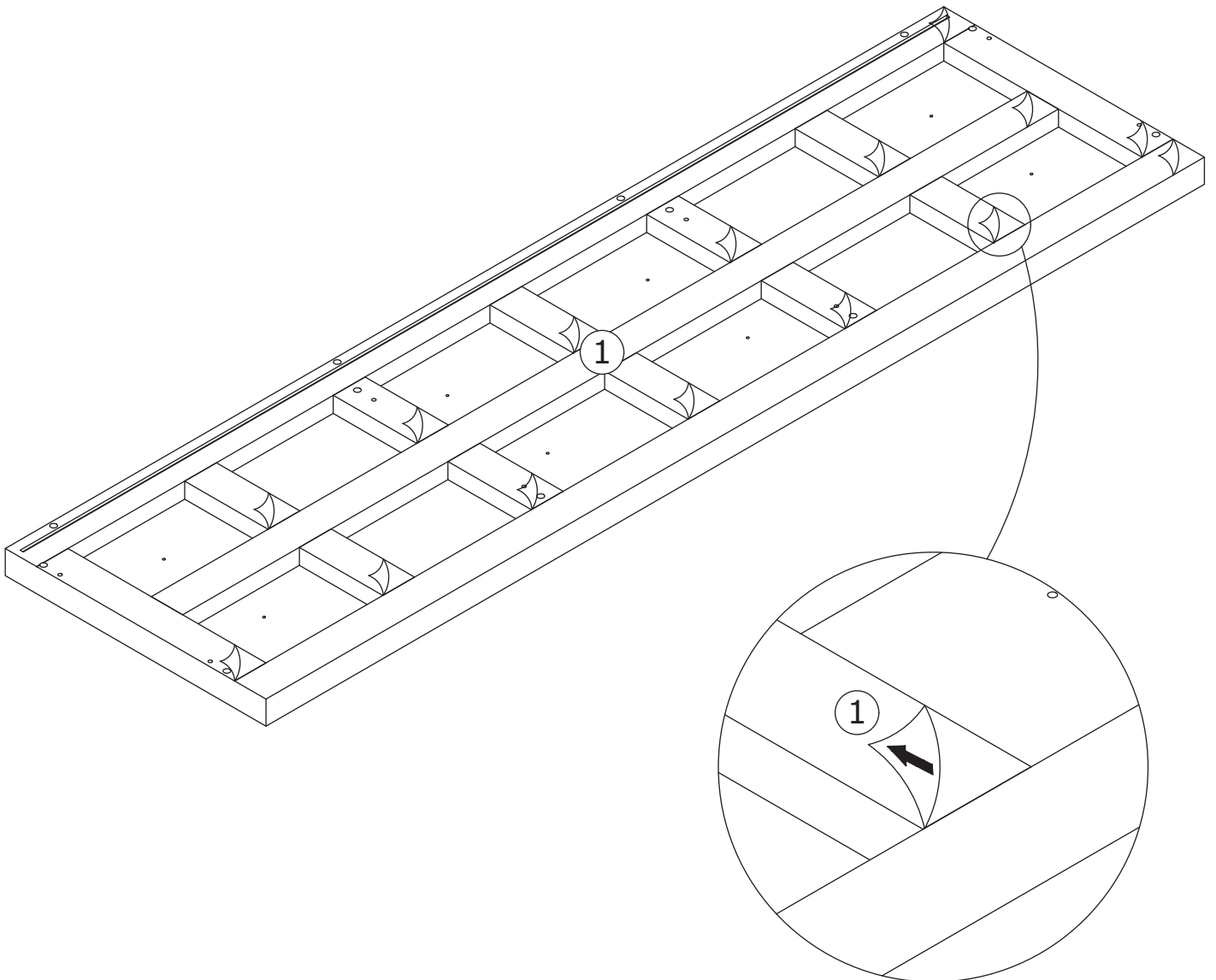
Secure panel 10 and 11 to panel 4 and 5 using screw (Z).
Secure panel 9 and 10 to panel 4 and 5 using screw (AB).



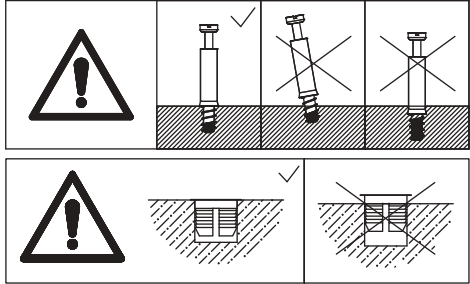
13



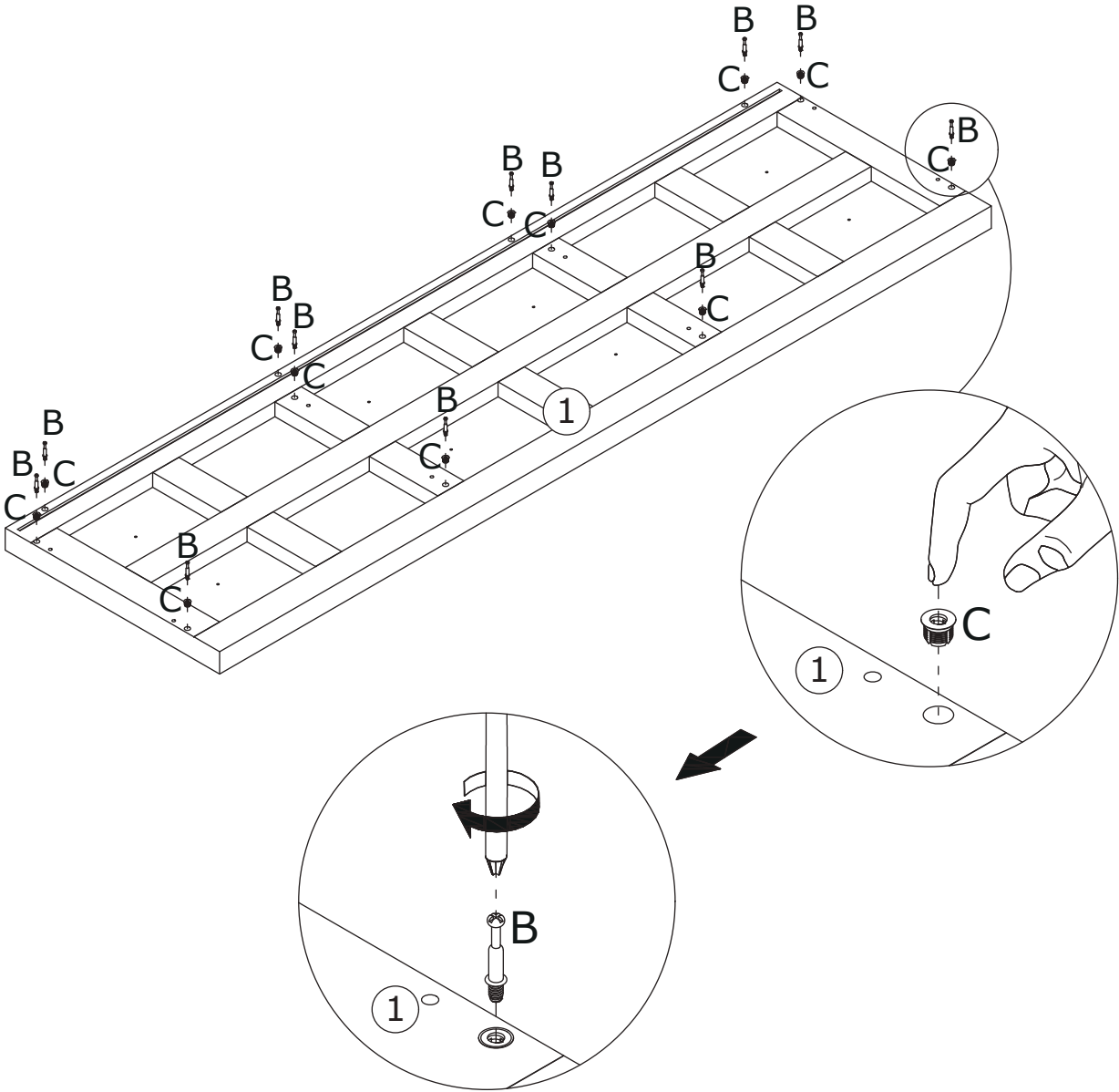
Peel off the protective film from panel 1.



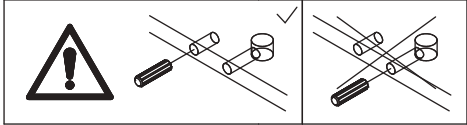
14



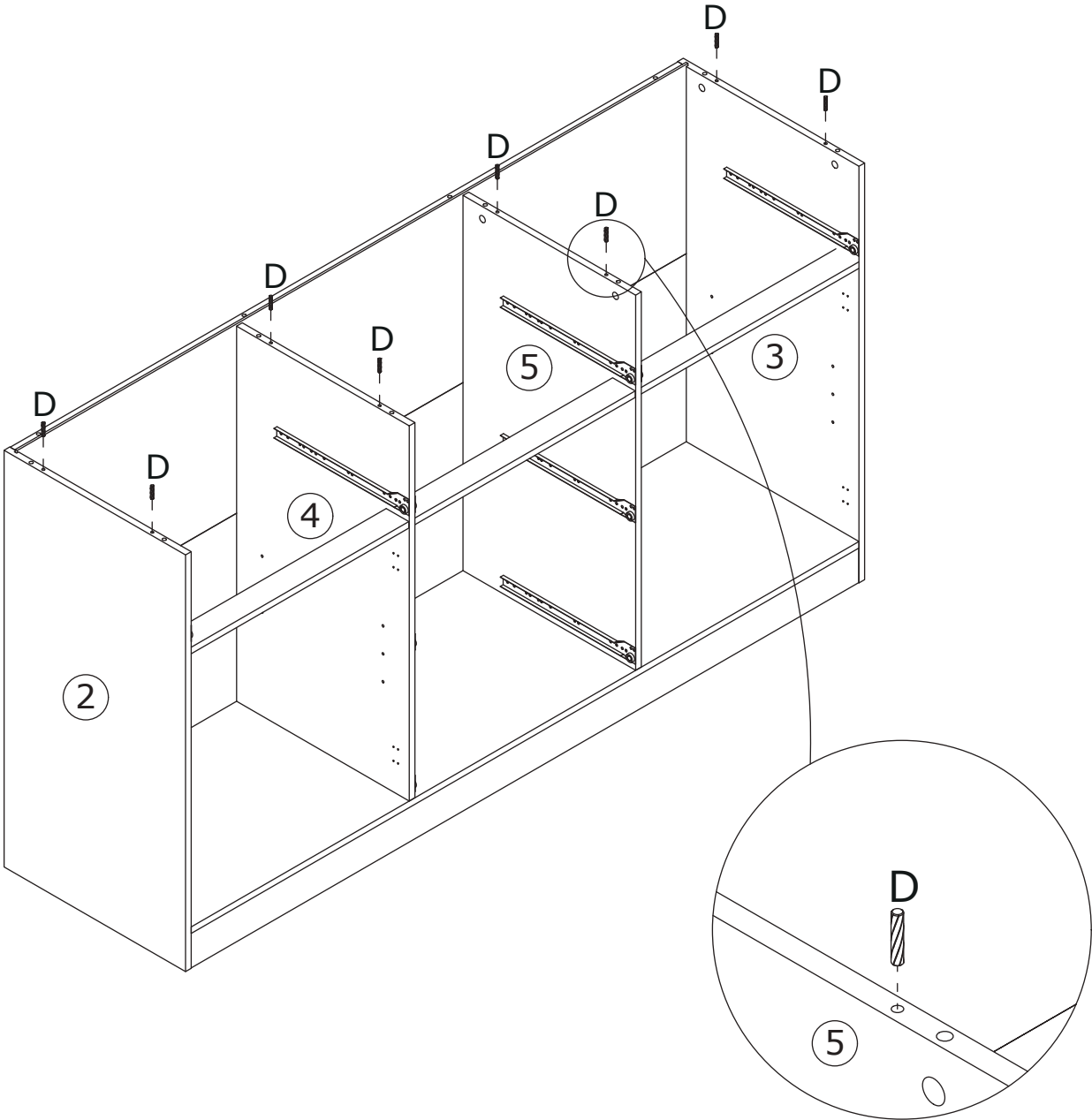
Insert plug (C) into panel 1, then screw self-tapping rod (B) onto panel 1.



15

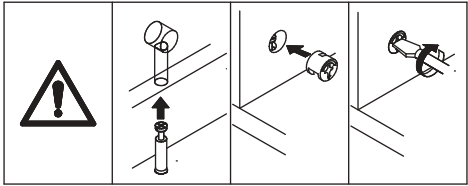
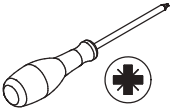


Insert wooden dowel (D) into panels 2, 3, 4, and 5.

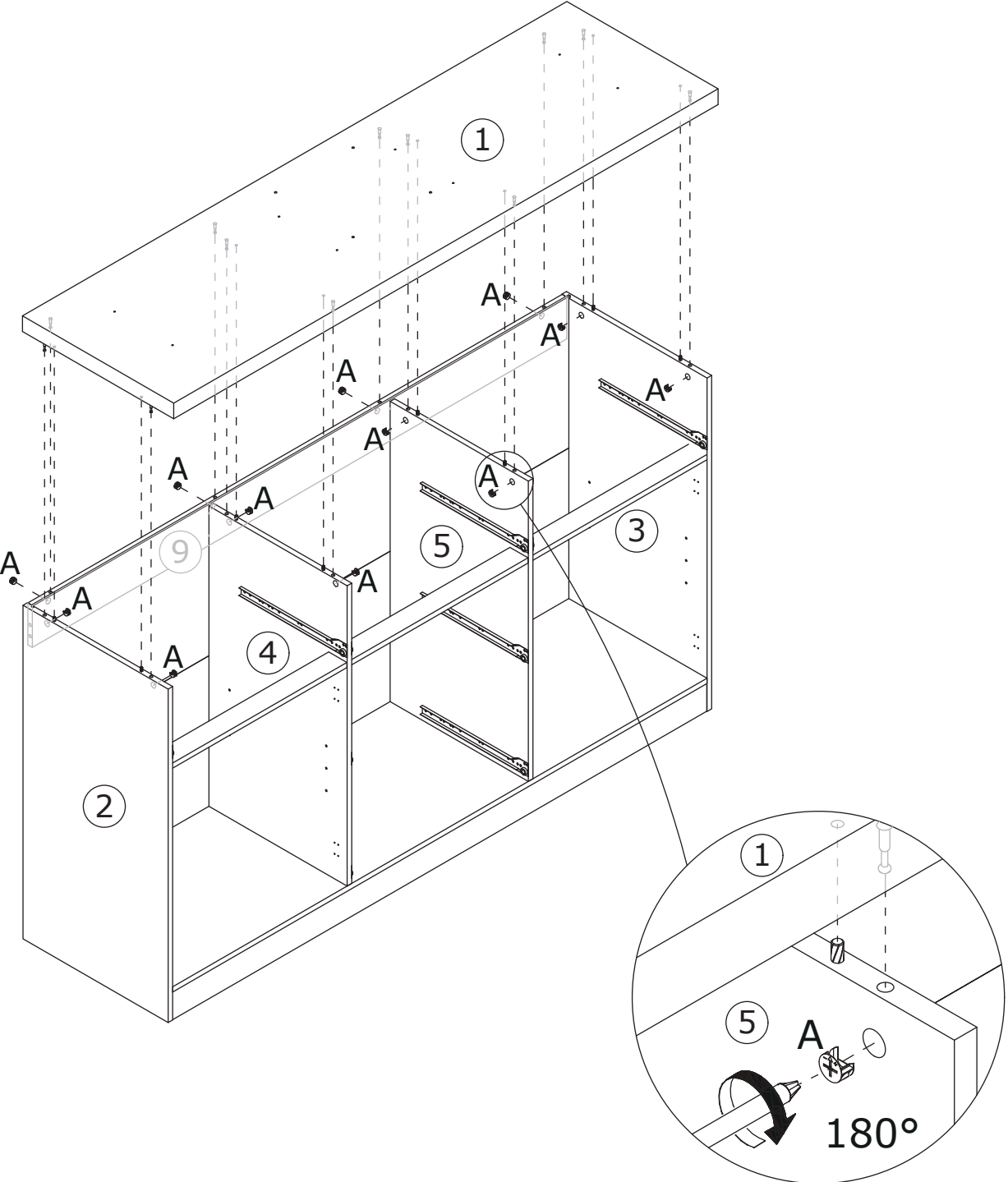


16

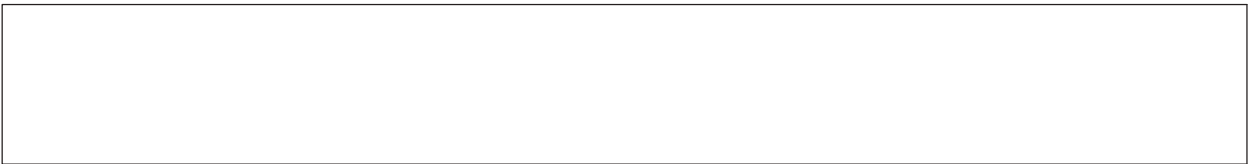
A x 12
CRB1595A



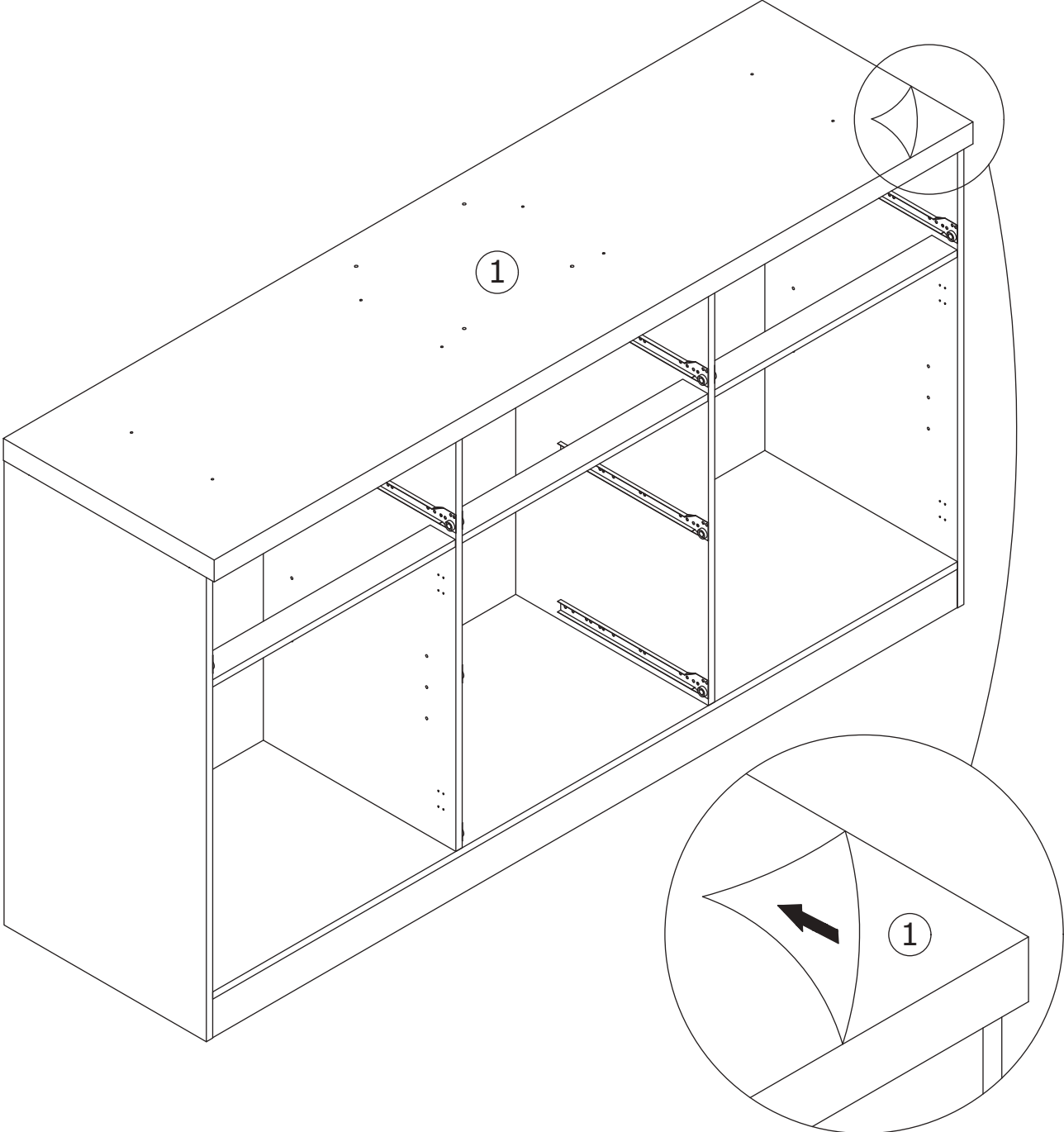
Connect panel 1 to panel 2, 3, 4, 5 and 9, then tighten by turning eccentric wheel (A) clockwise.



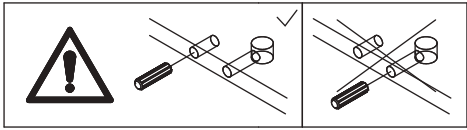
17



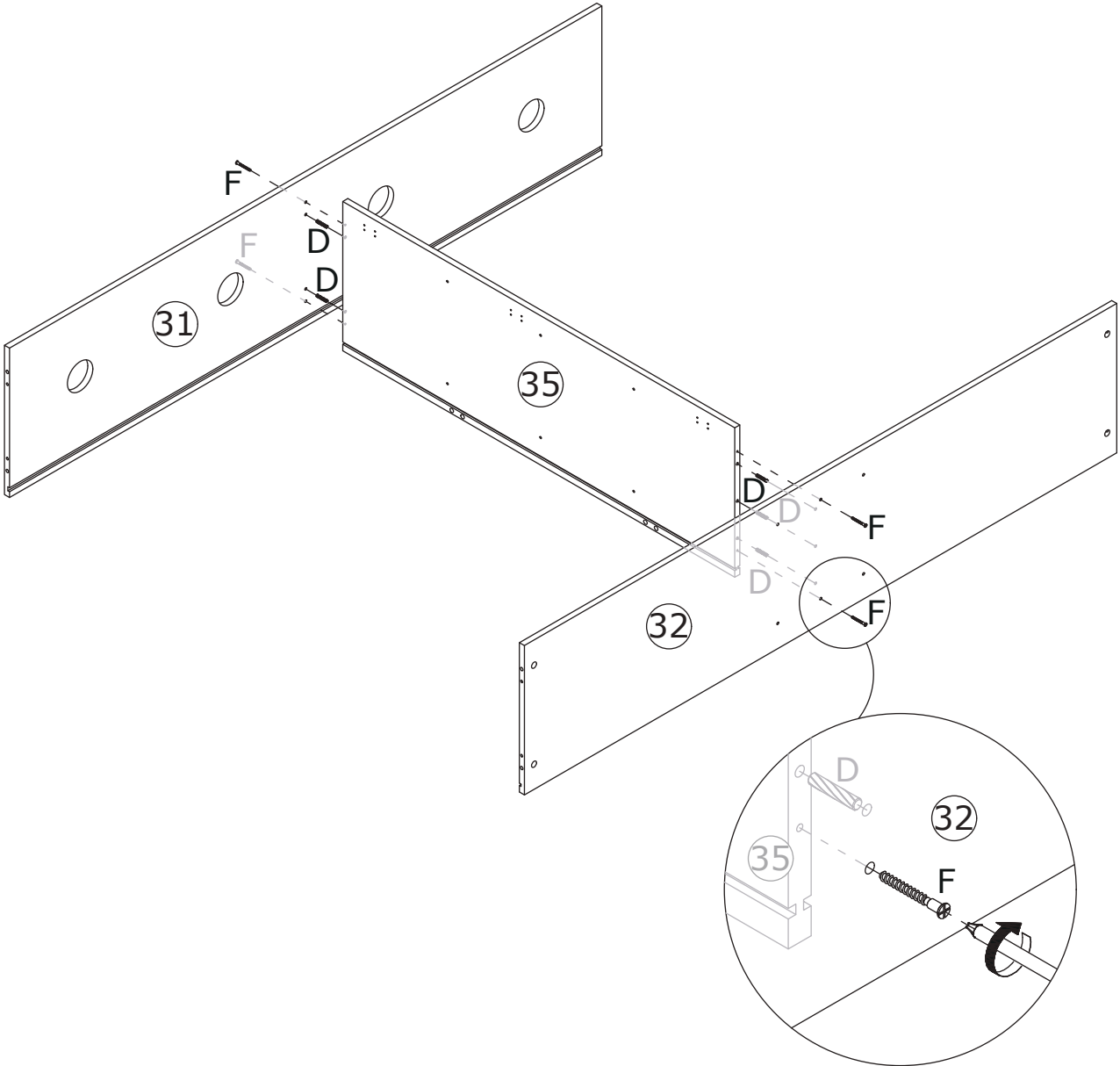
Peel off the protective film from panel 1.



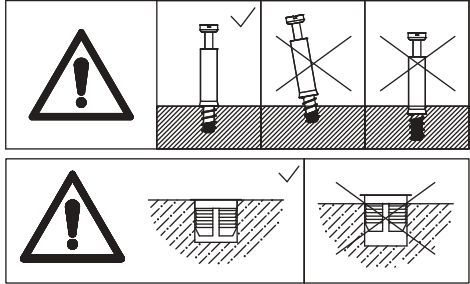
18



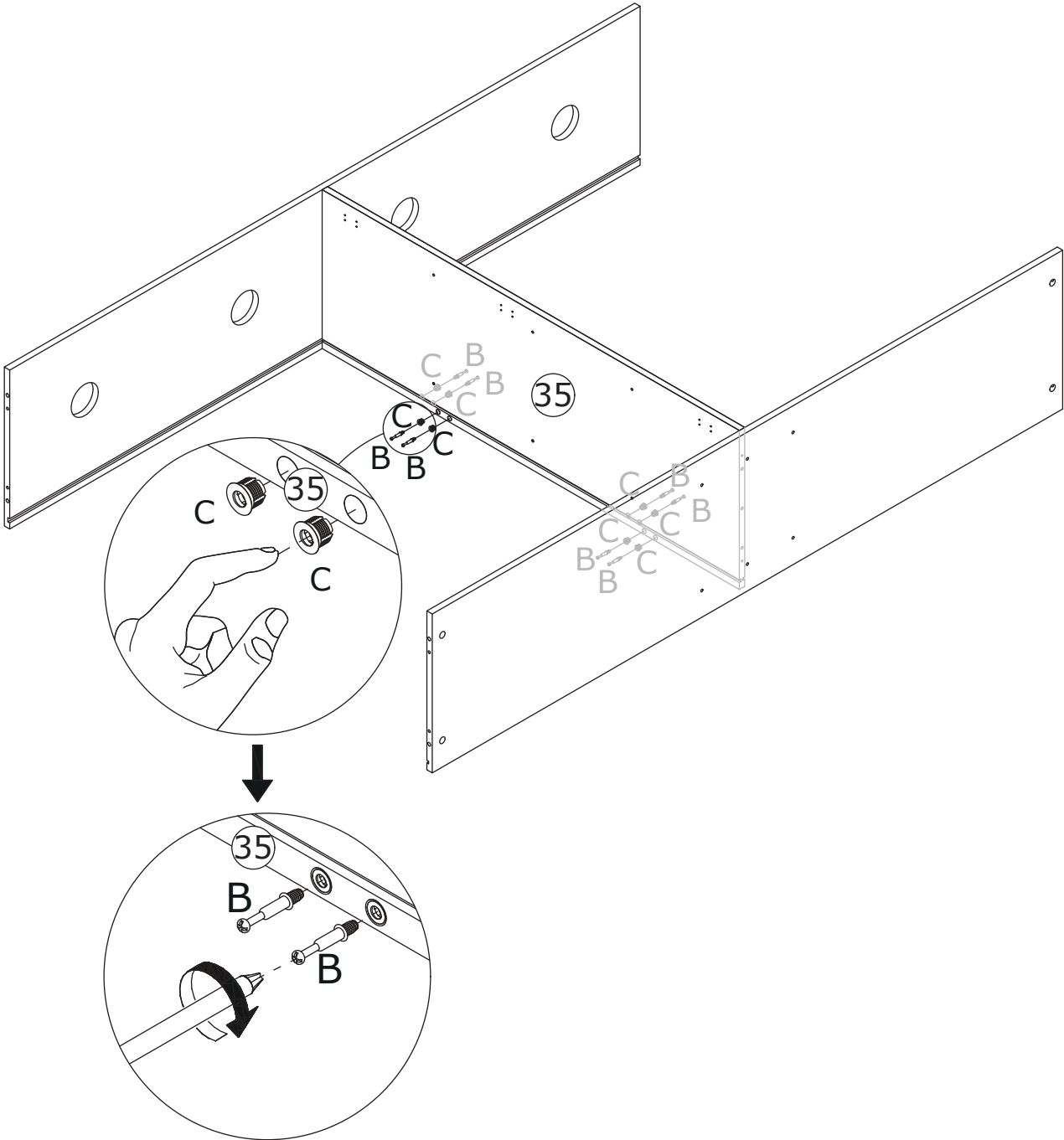
Connect panel 31 and 32 to panel 35 using wooden dowel (D), and secure with screw (F).



19

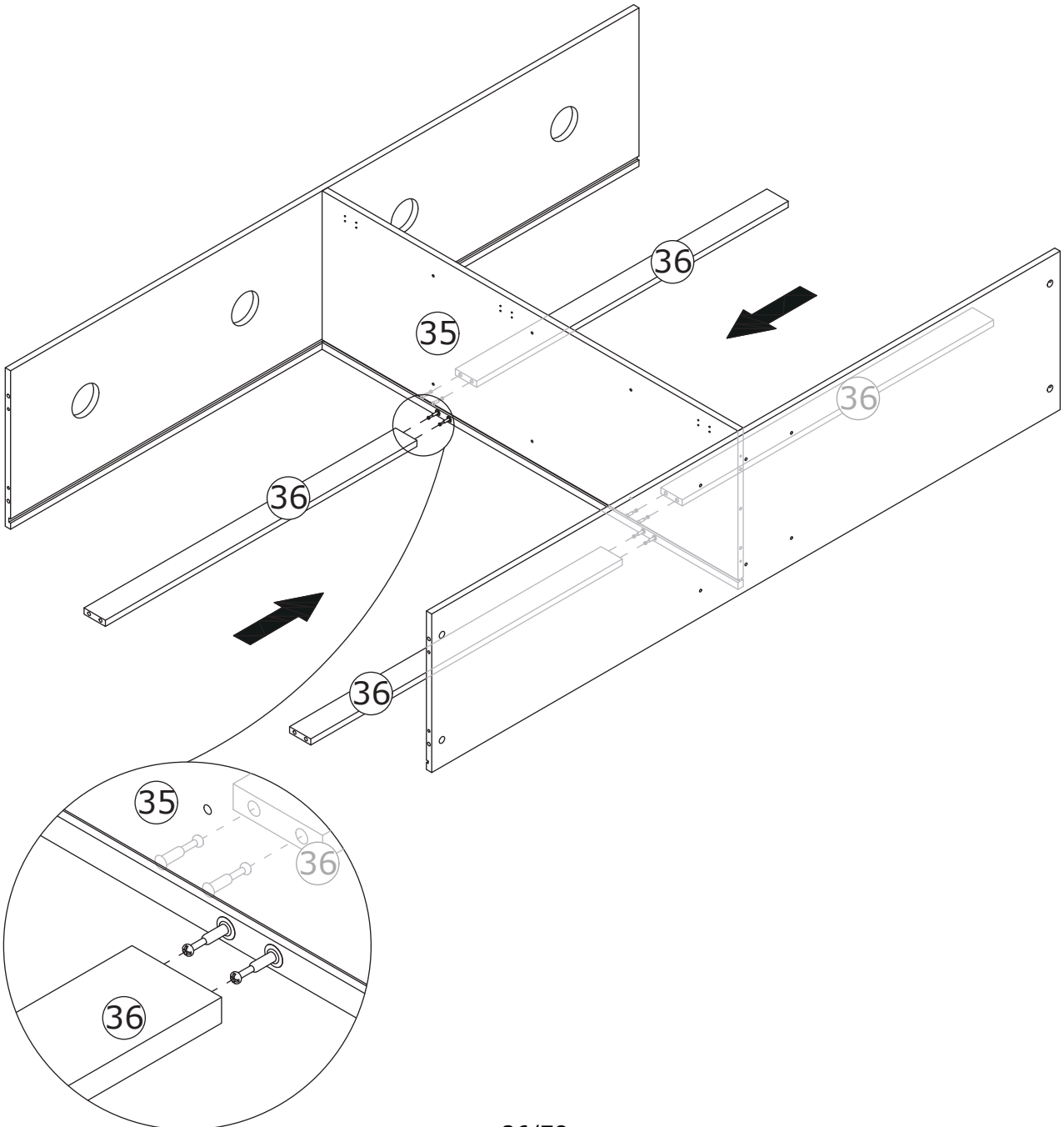


Insert plug (C) into panel 4 and 5, then screw self-tapping rod (B) onto panel 35.



20

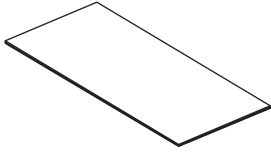
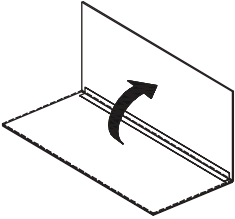
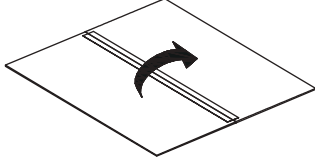
Connect panel 36 to panel 35.

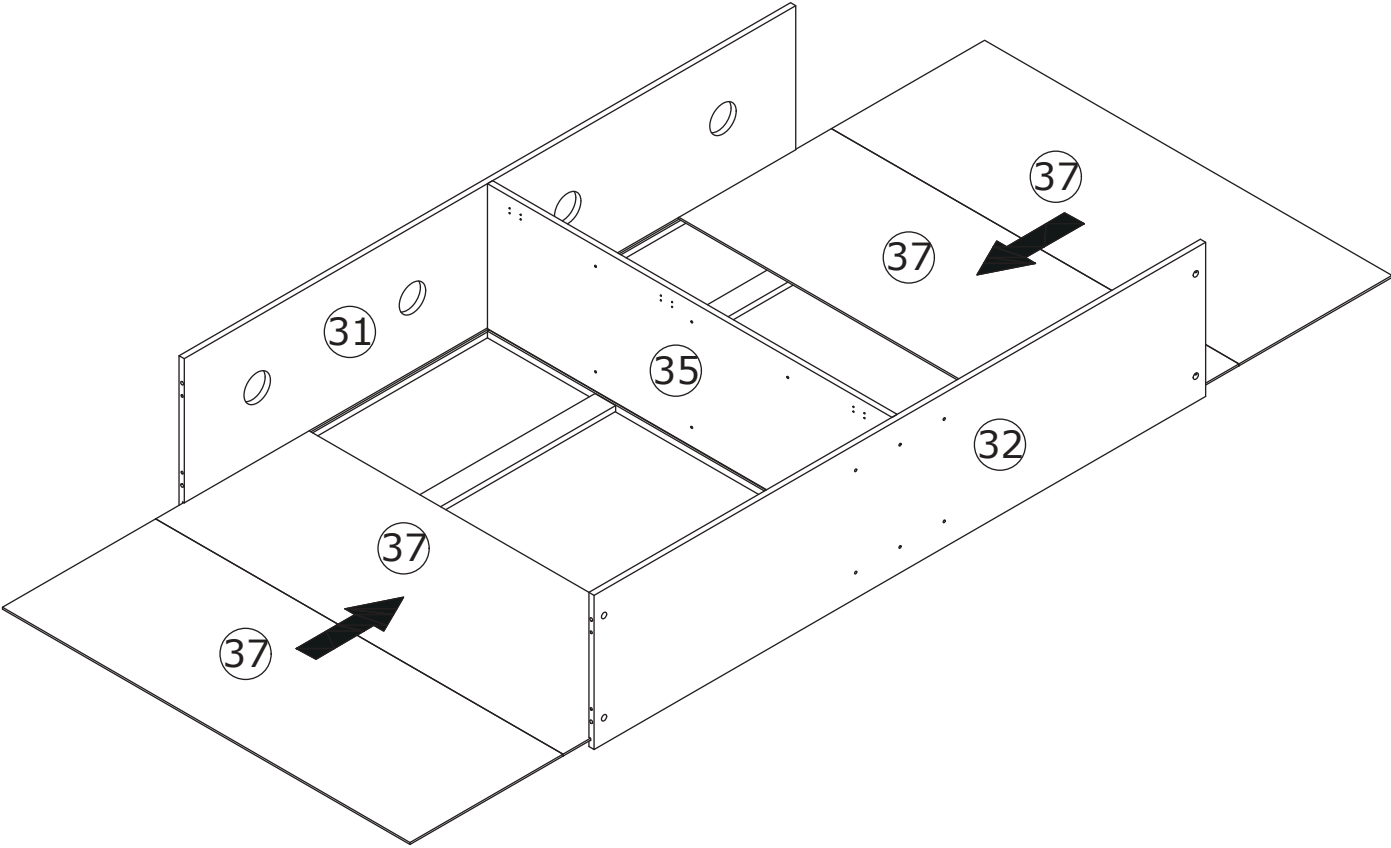


21

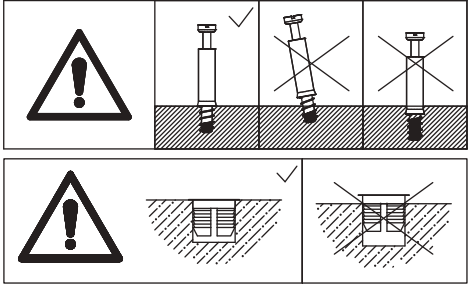
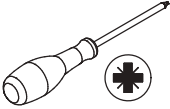
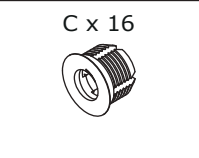


Insert panel 37 into the available slots.

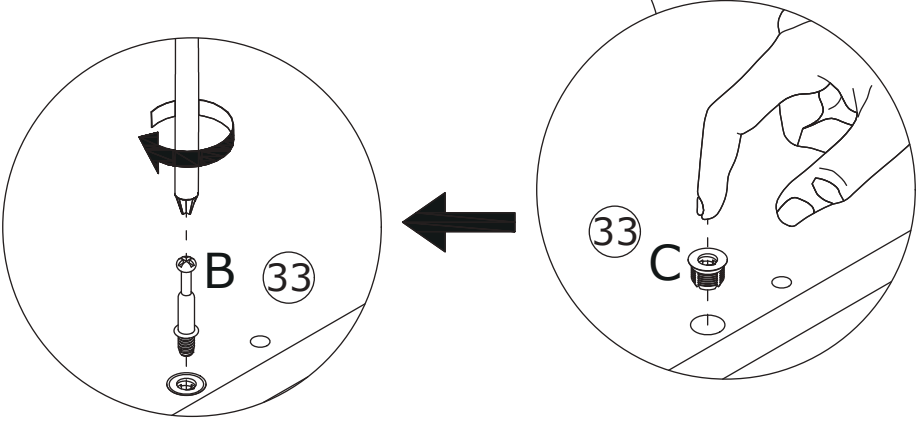
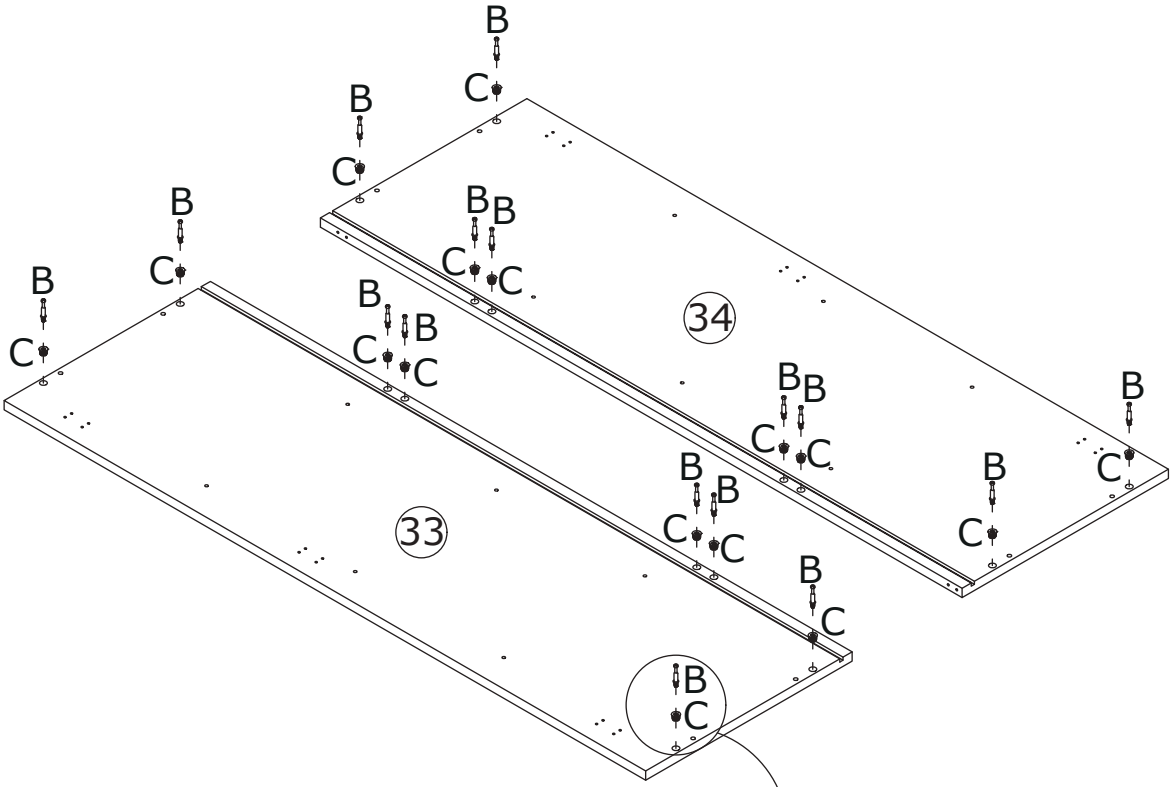
- 1. 
- 2. 
- 3. 



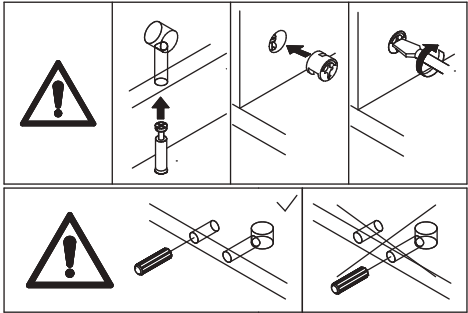
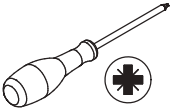
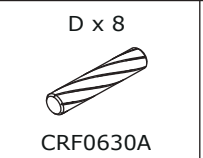
22



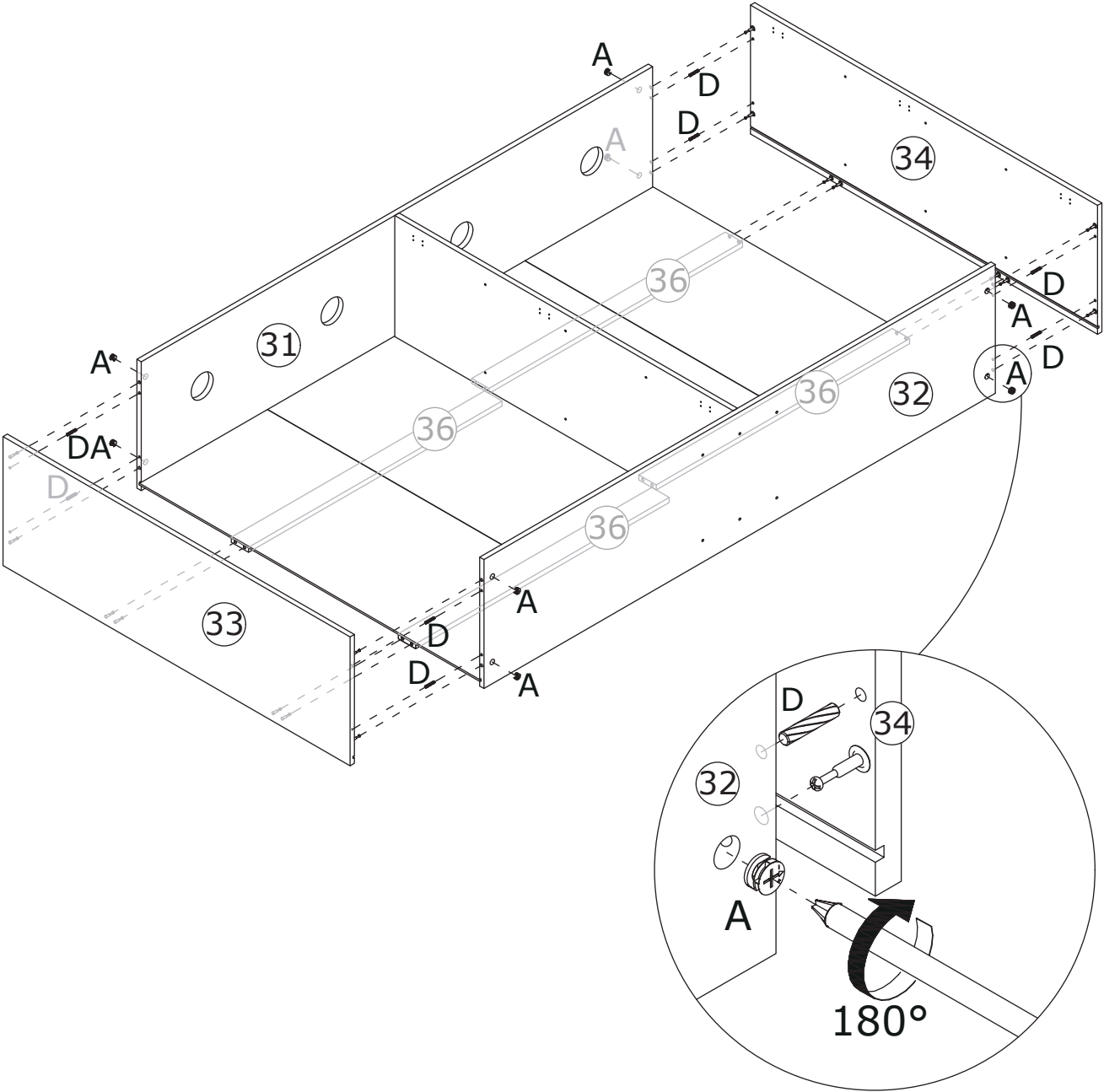
Insert plug (C) into panel 33 and 34, then screw self-tapping rod (B) onto panel 33 and 34.



23

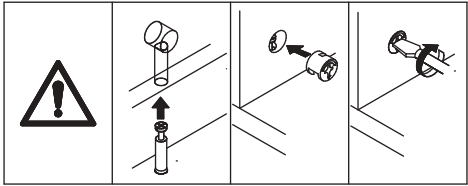
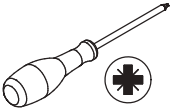


Connect panel 33 and 34 to panel 31, 32, and 36, then tighten by turning eccentric wheel (A) clockwise.

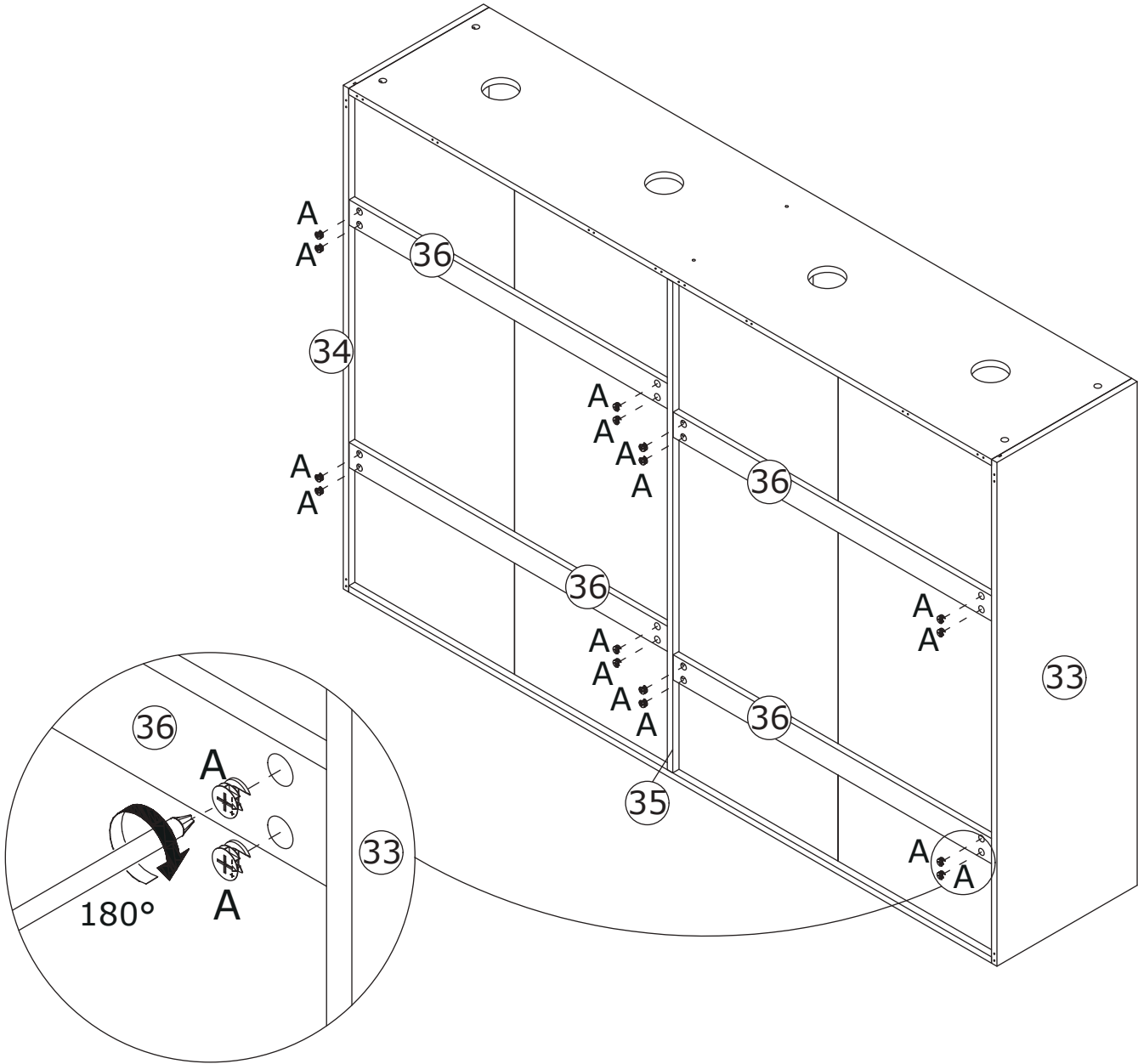


24

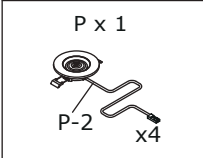
A x 16
CRB1595A



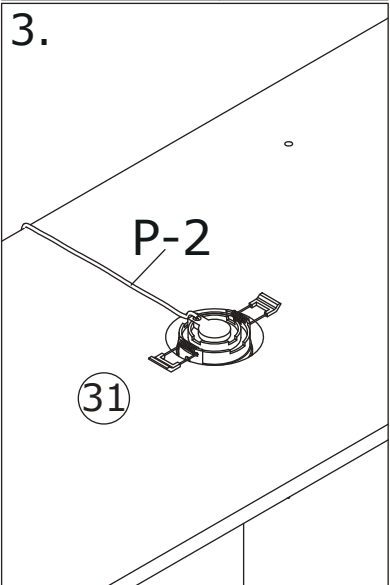
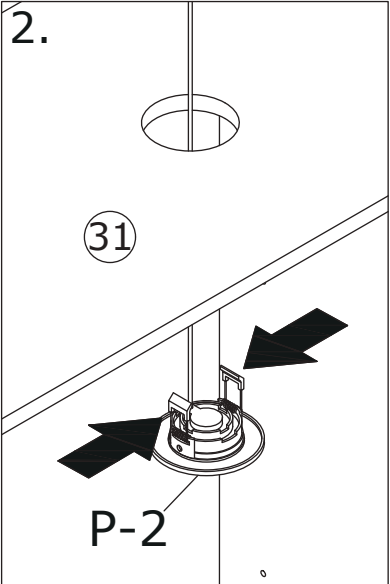
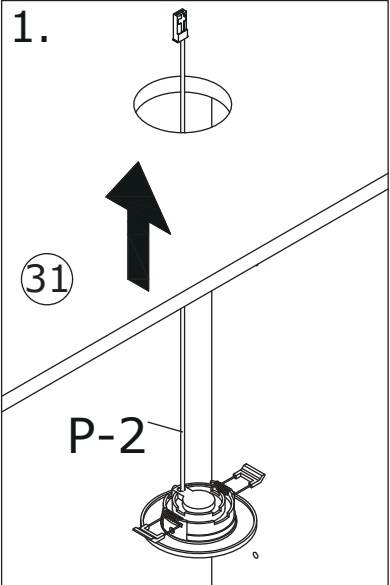
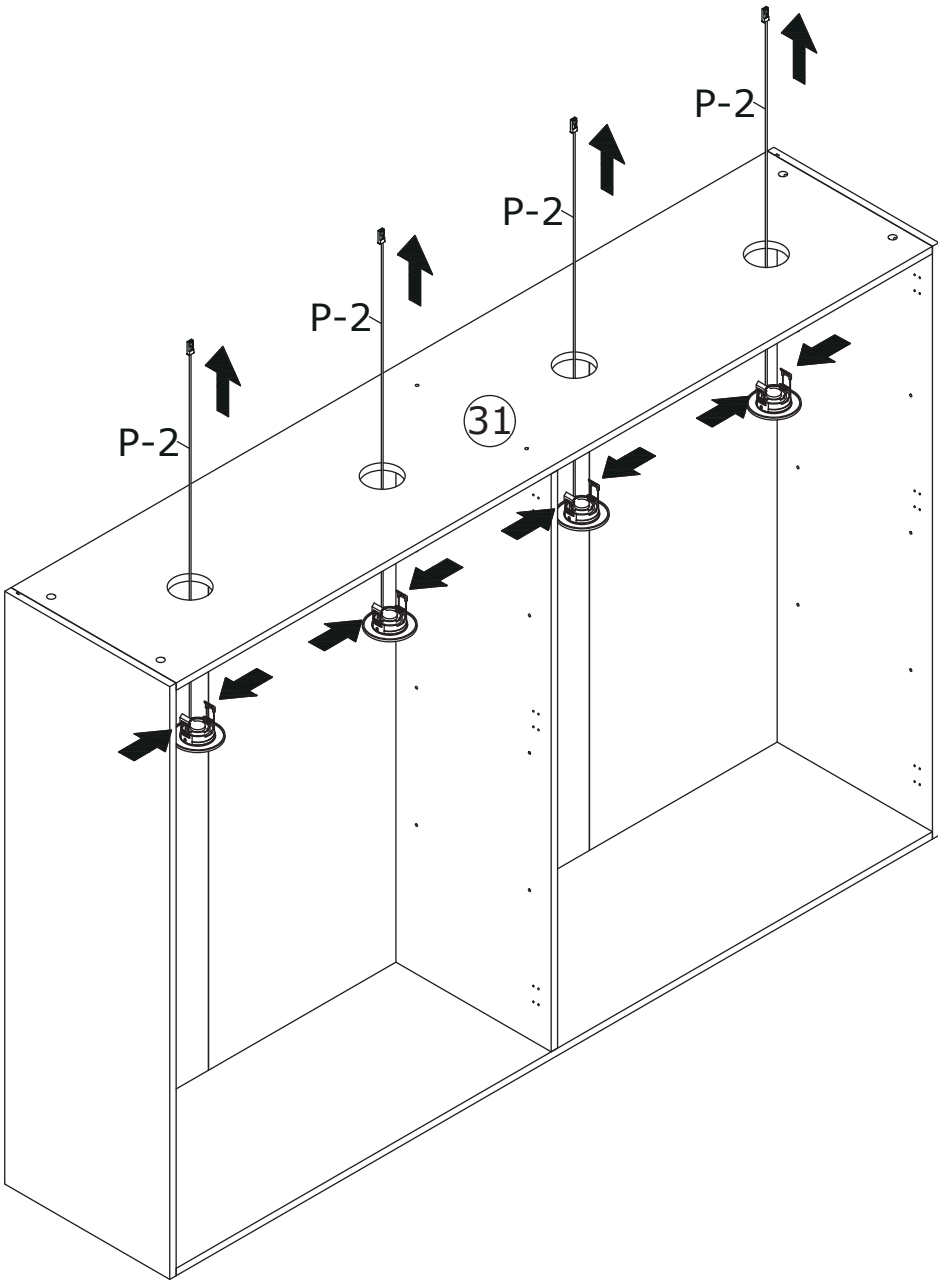
Attach the eccentric wheel (A) into panel 36 and tighten by turning clockwise.



25



Place the spotlight (P-2) on the cabinet.

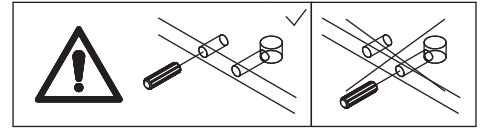


26

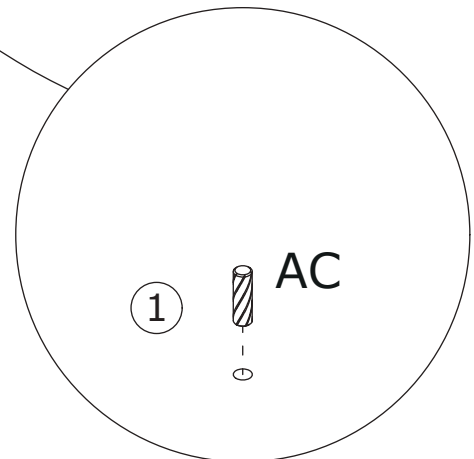
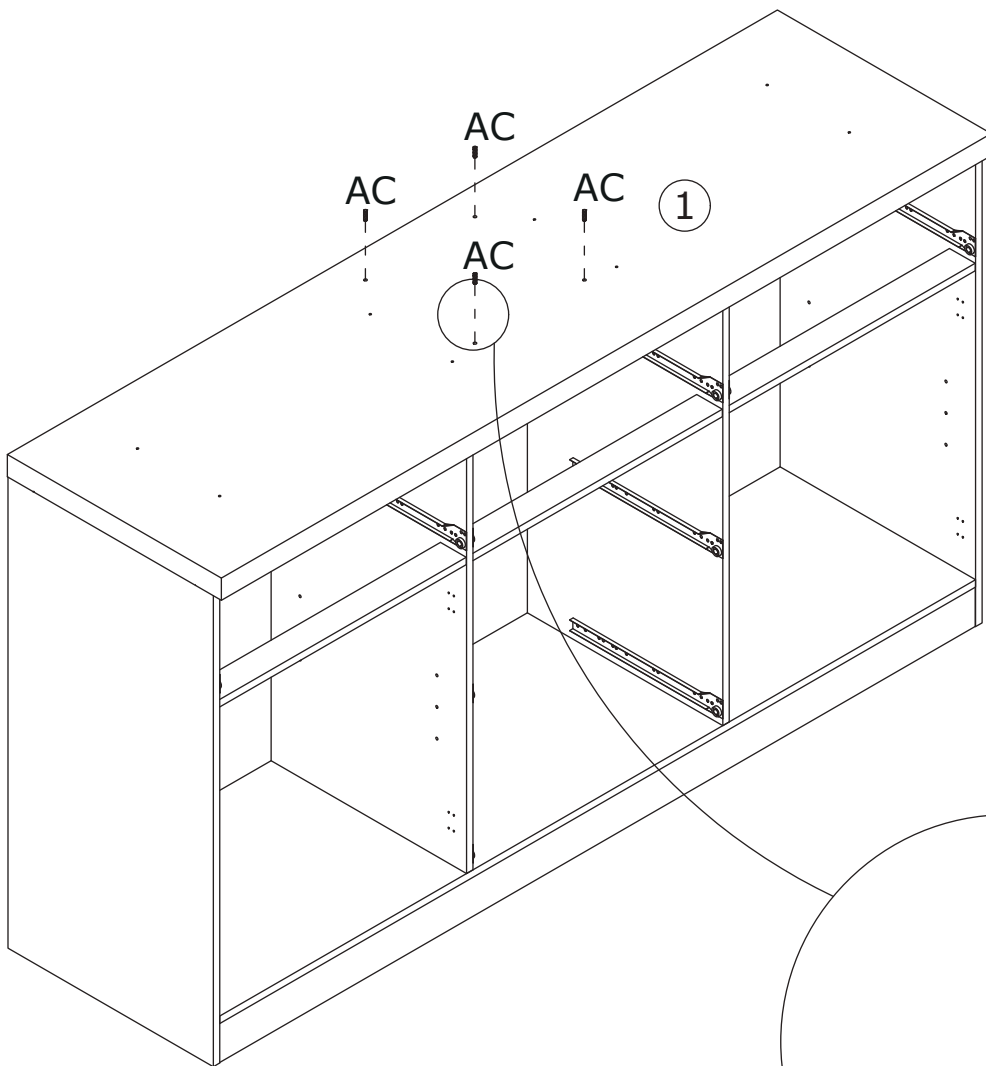
AC x 4



CRF0620A



Insert wooden dowel (AC) into panel 1.

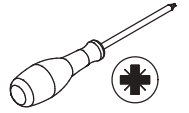


27

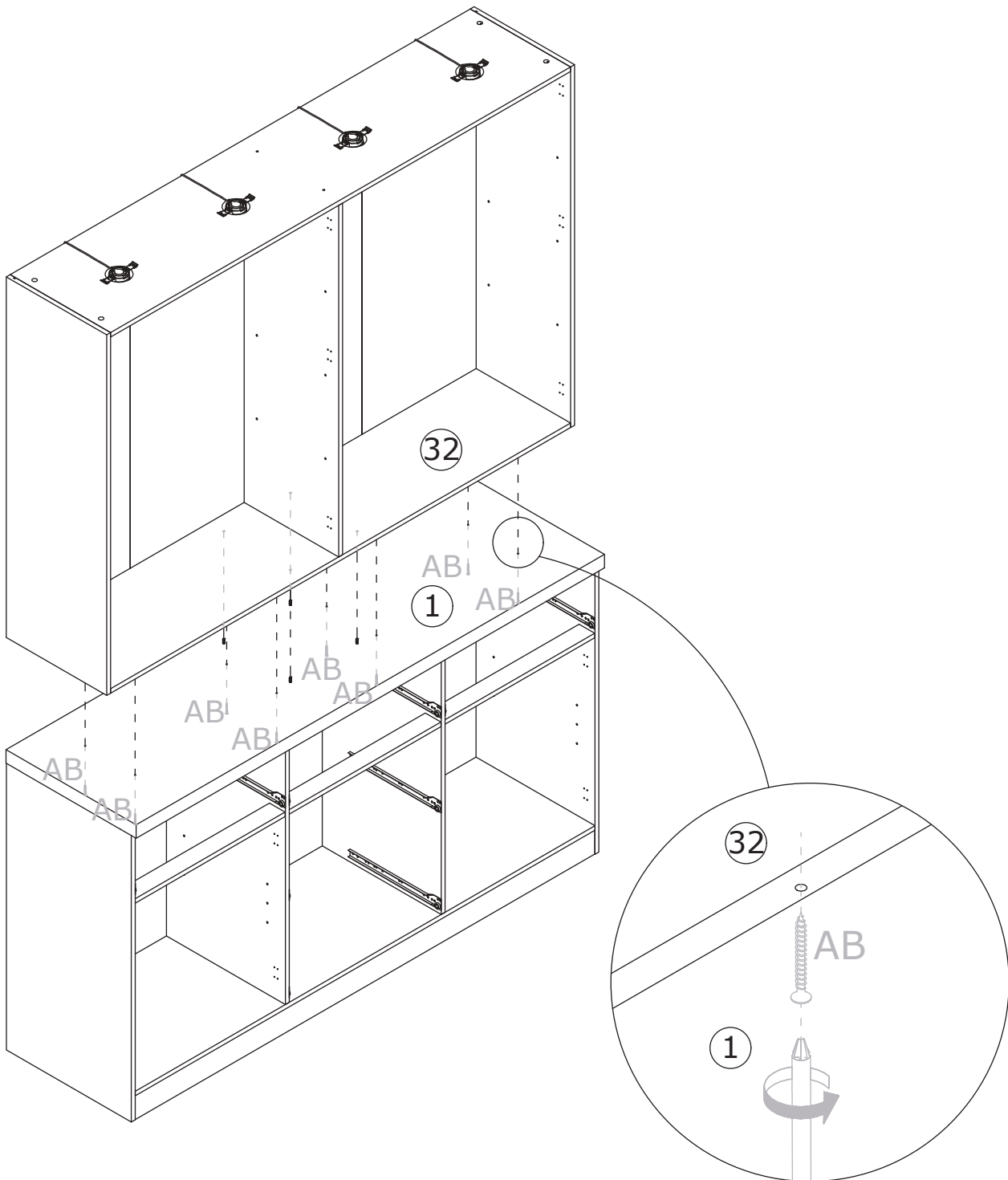
AB x 8



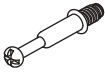

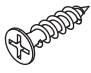
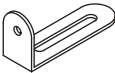
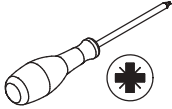
CRD3525A

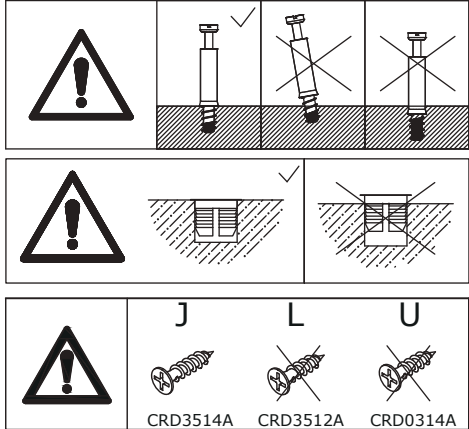


Secure panel 32 to panel 1 using screw (AB).

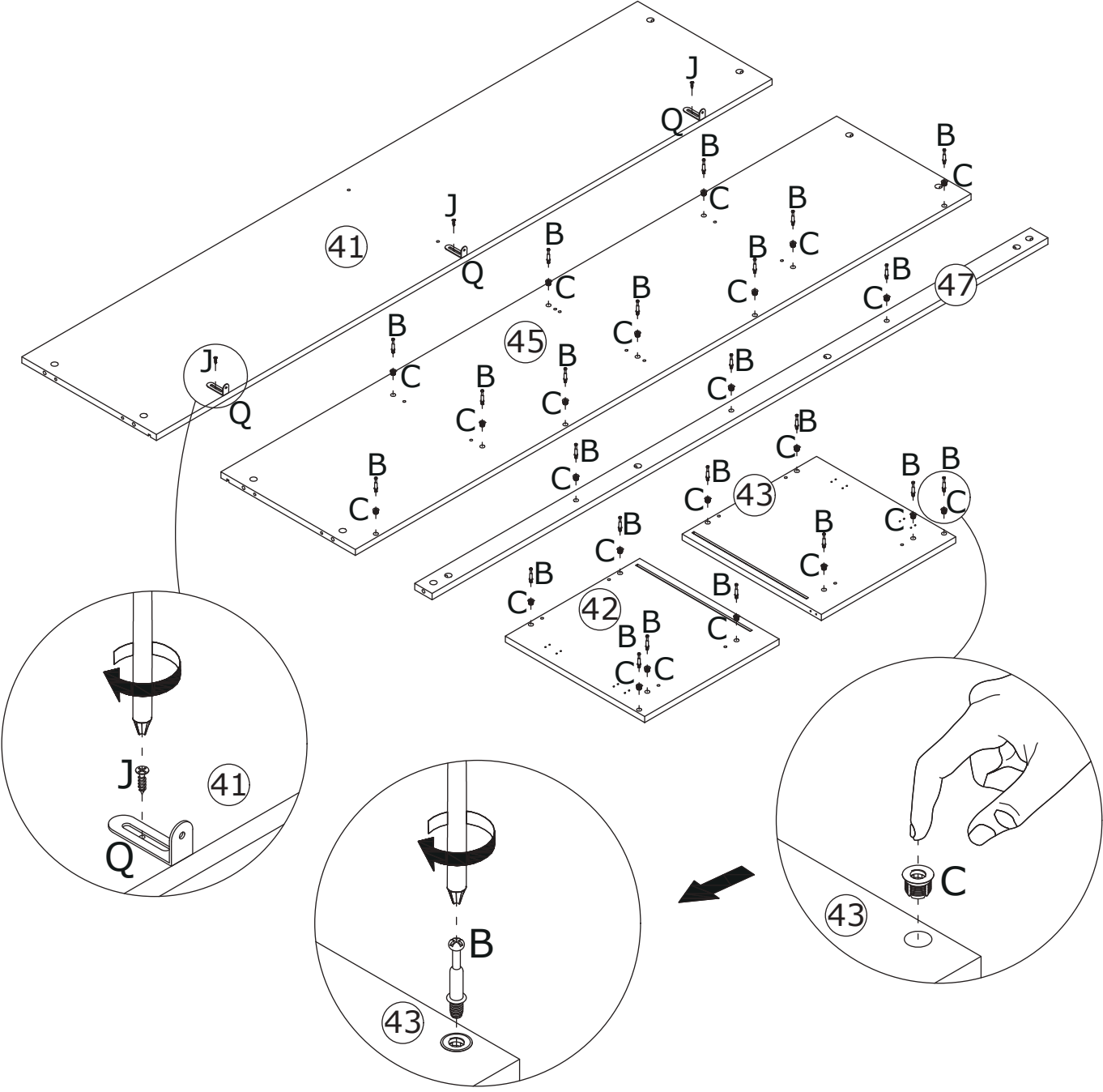


28

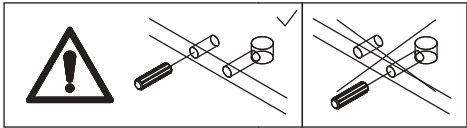
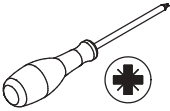
<p>B x 23 CRA0635B</p> 	<p>C x 23</p> 	<p>J x 3 CRD3514A</p> 	<p>Q x 3</p> 	
--	---	---	---	---



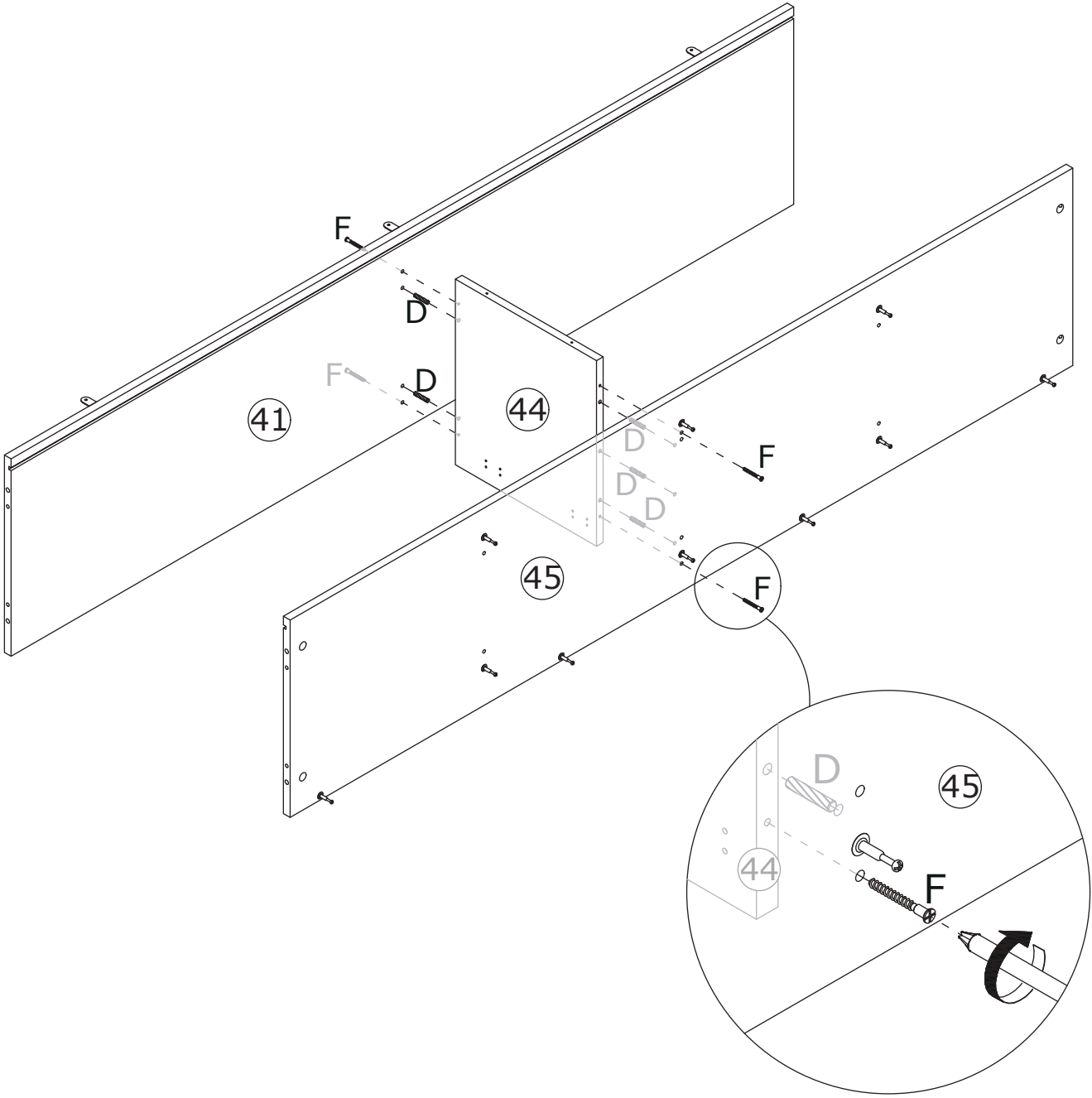
Secure component (Q) to panel 41 using screw (J).
Insert plug (C) into panel 42, 43, 45 and 47, then screw self-tapping rod (B) onto.



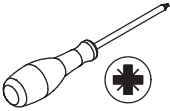
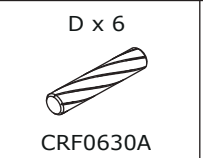
29



Attach panel 41 and 45 to panel 44 using dowel (D), and secure with screw (F).

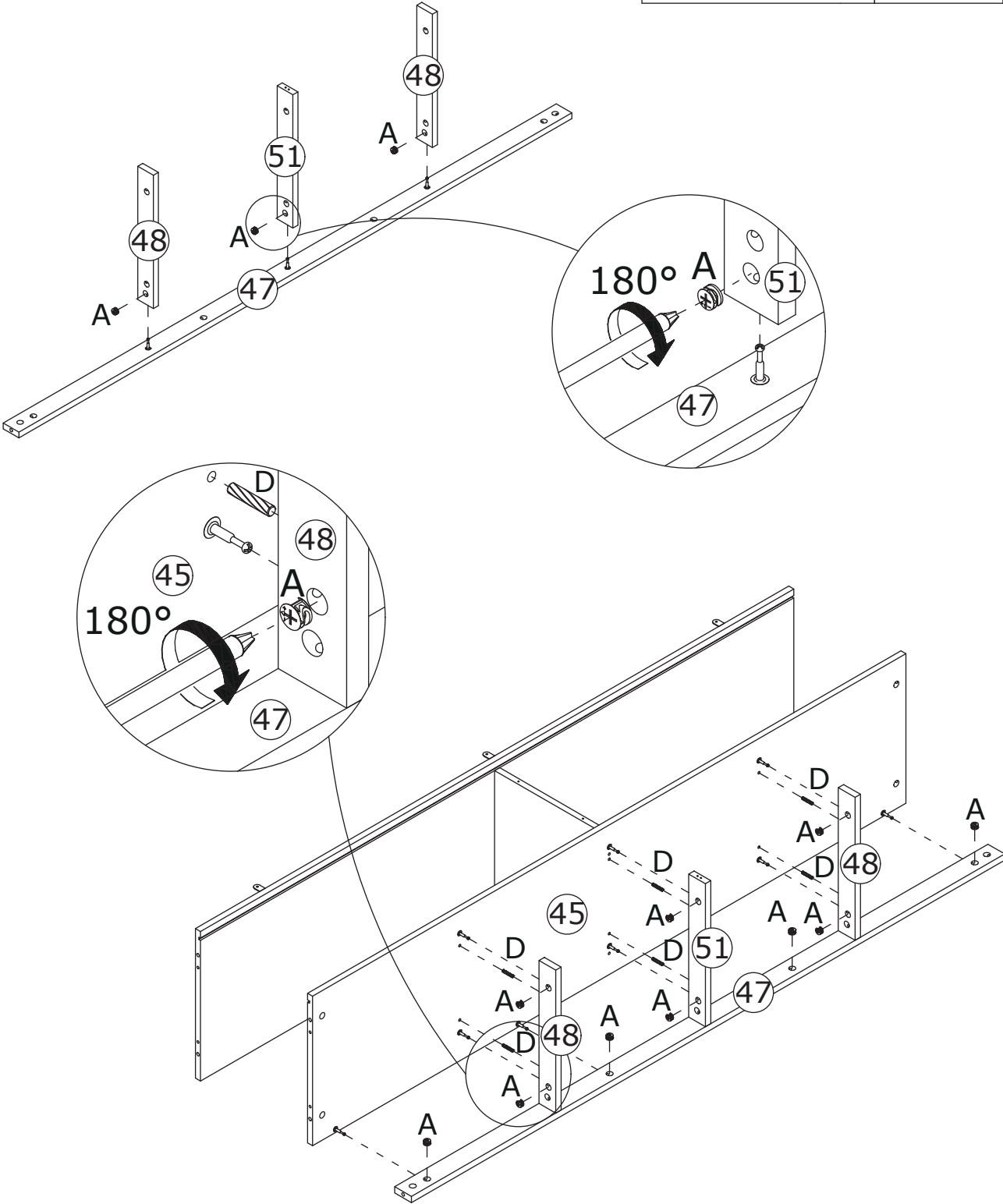
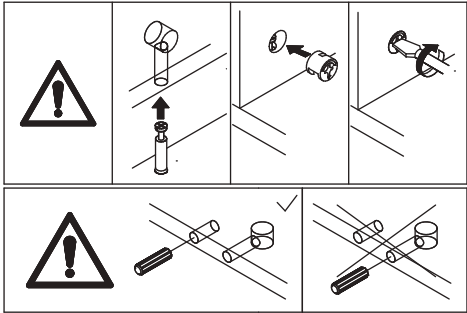


30

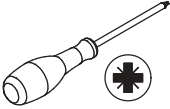


Connect panel 48 and 51 to panel 47, then tighten by turning eccentric wheel (A) clockwise.

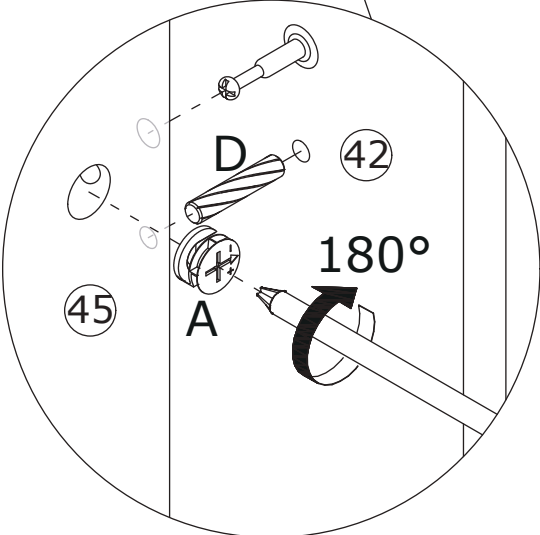
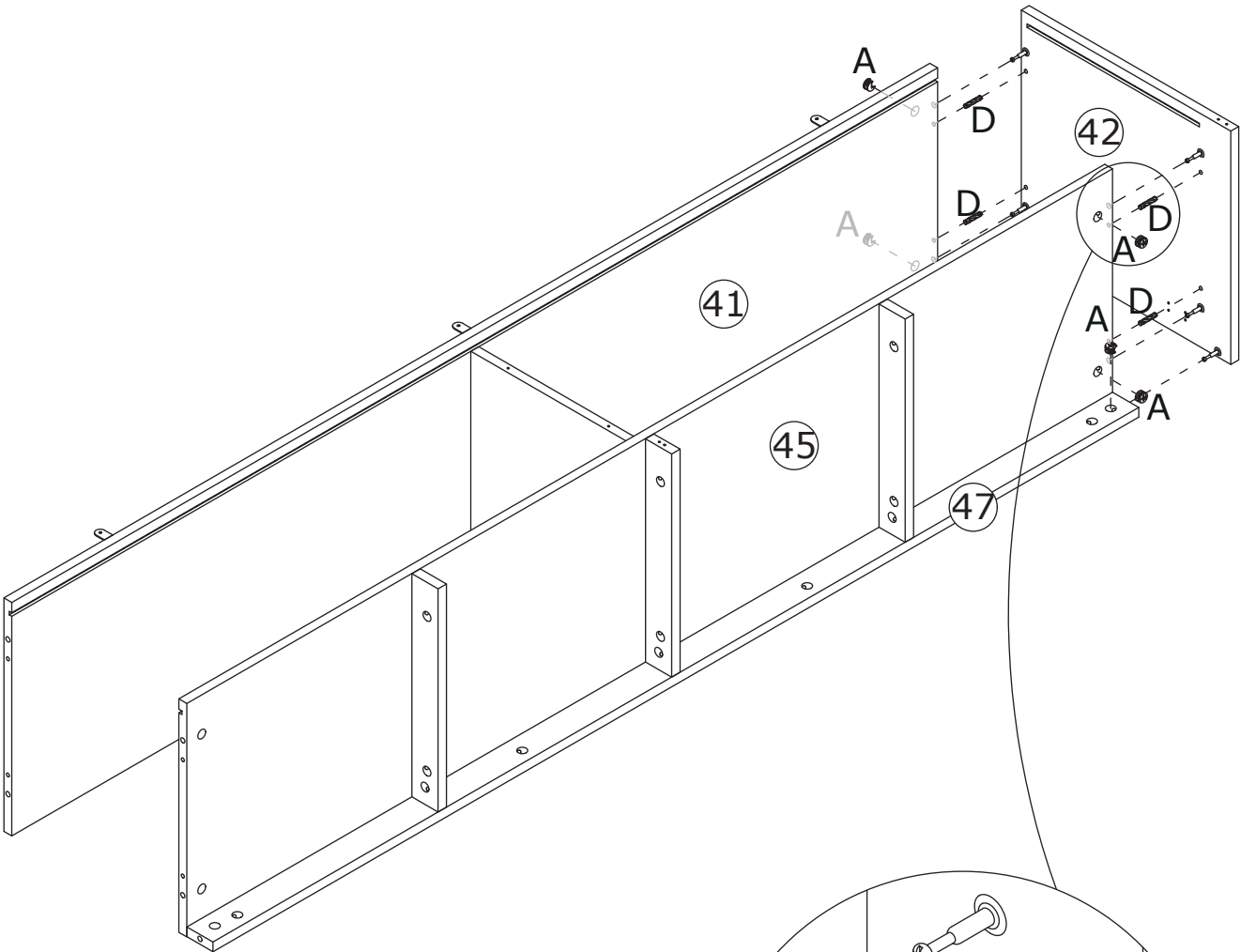
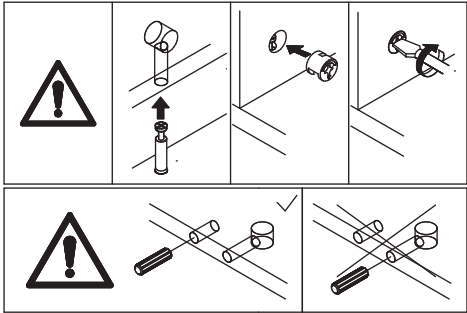
Connect panel 45 to panel 47, 48, and 51 using dowel (D), then tighten by turning eccentric wheel (A) clockwise.



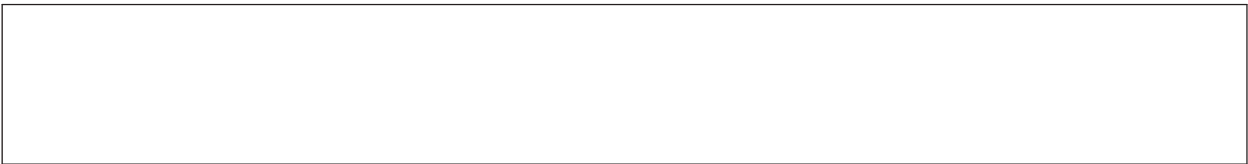
31



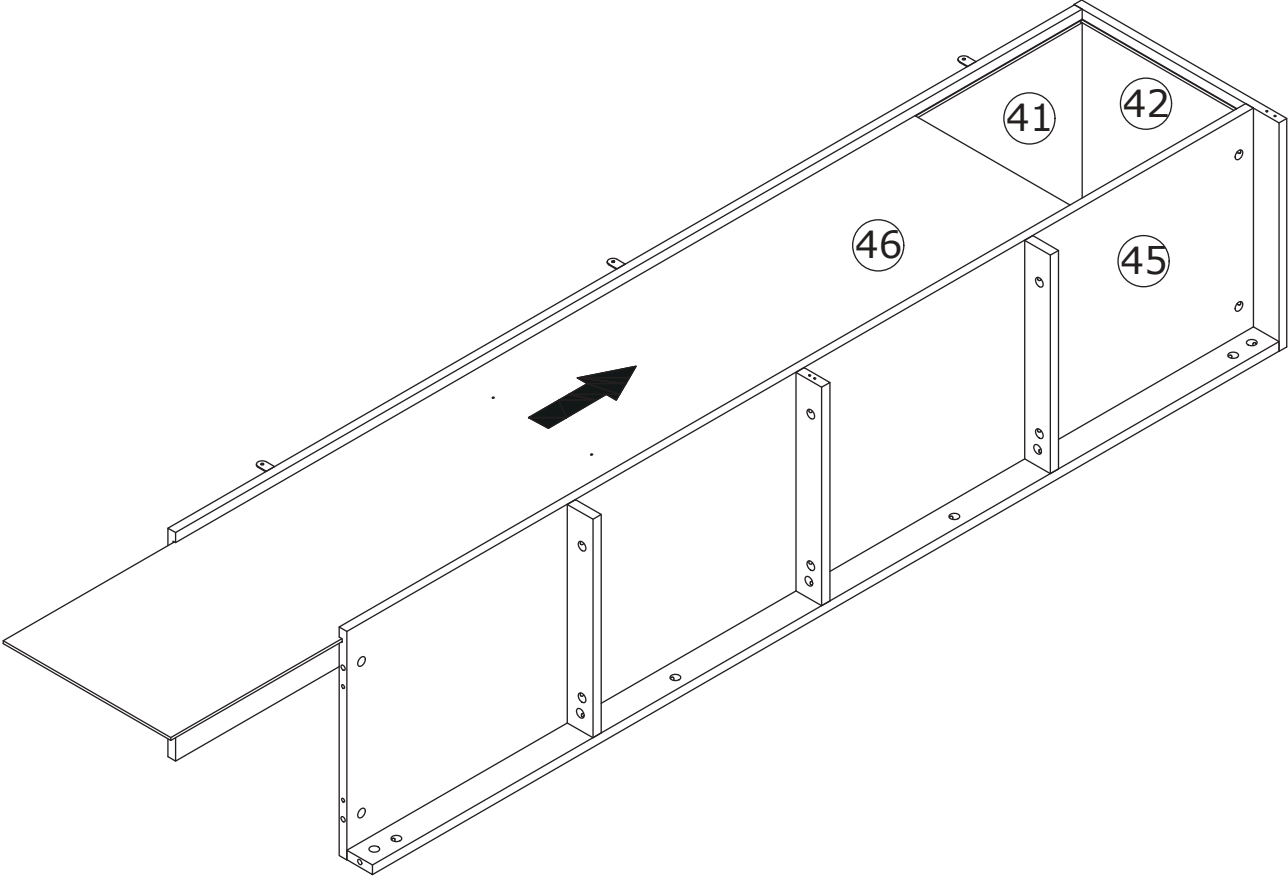
Connect panel 42 to panel 41, 45, and 47 using dowel (D), then tighten by turning eccentric wheel (A) clockwise.



32

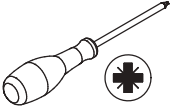


Insert panel 46 into the available slots.

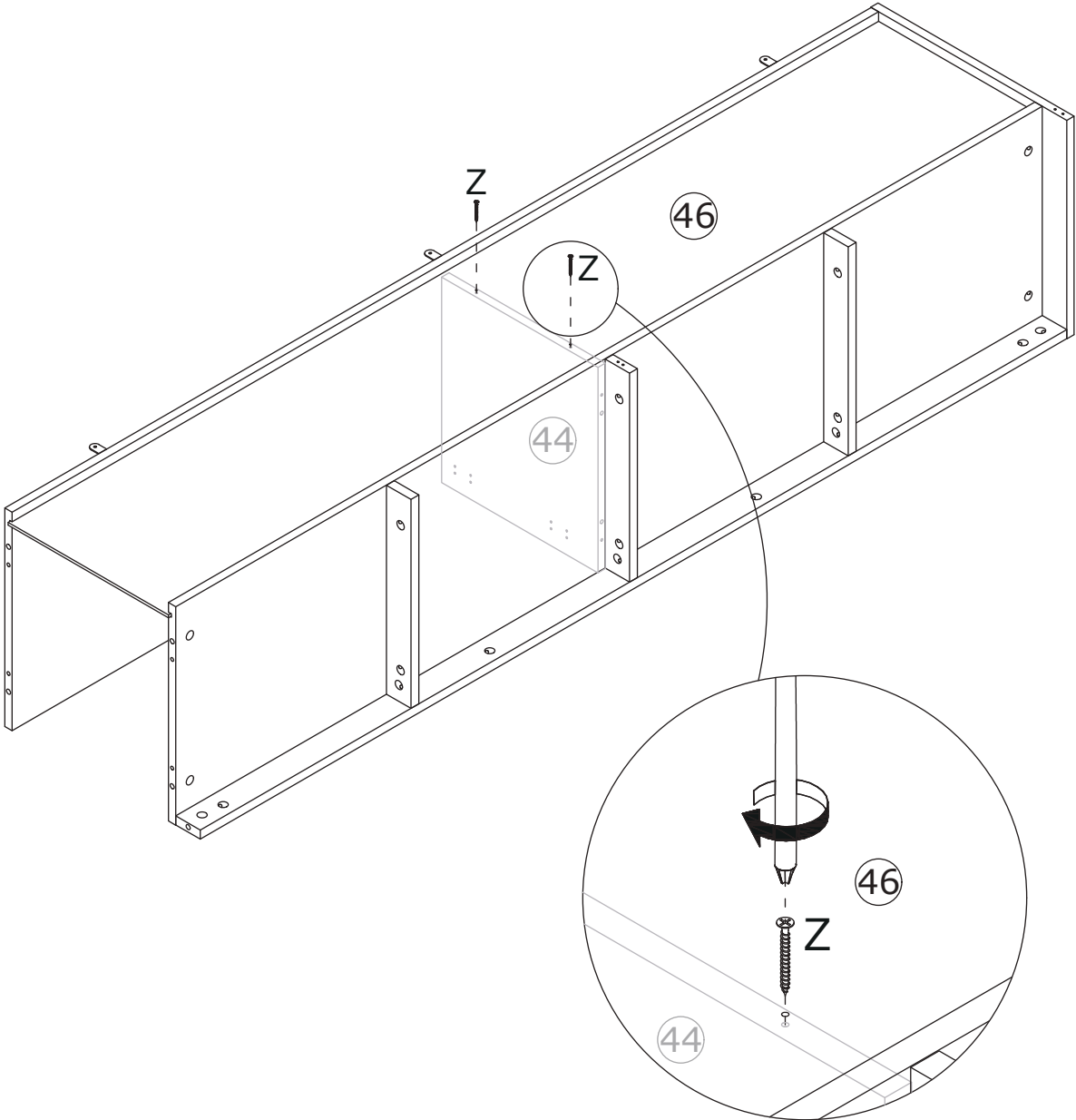


33

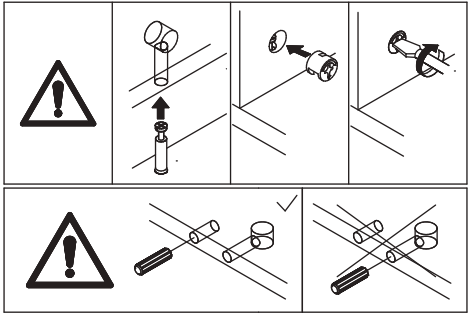
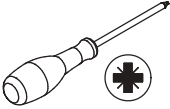
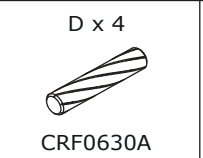
Z x 2
CRD3520A



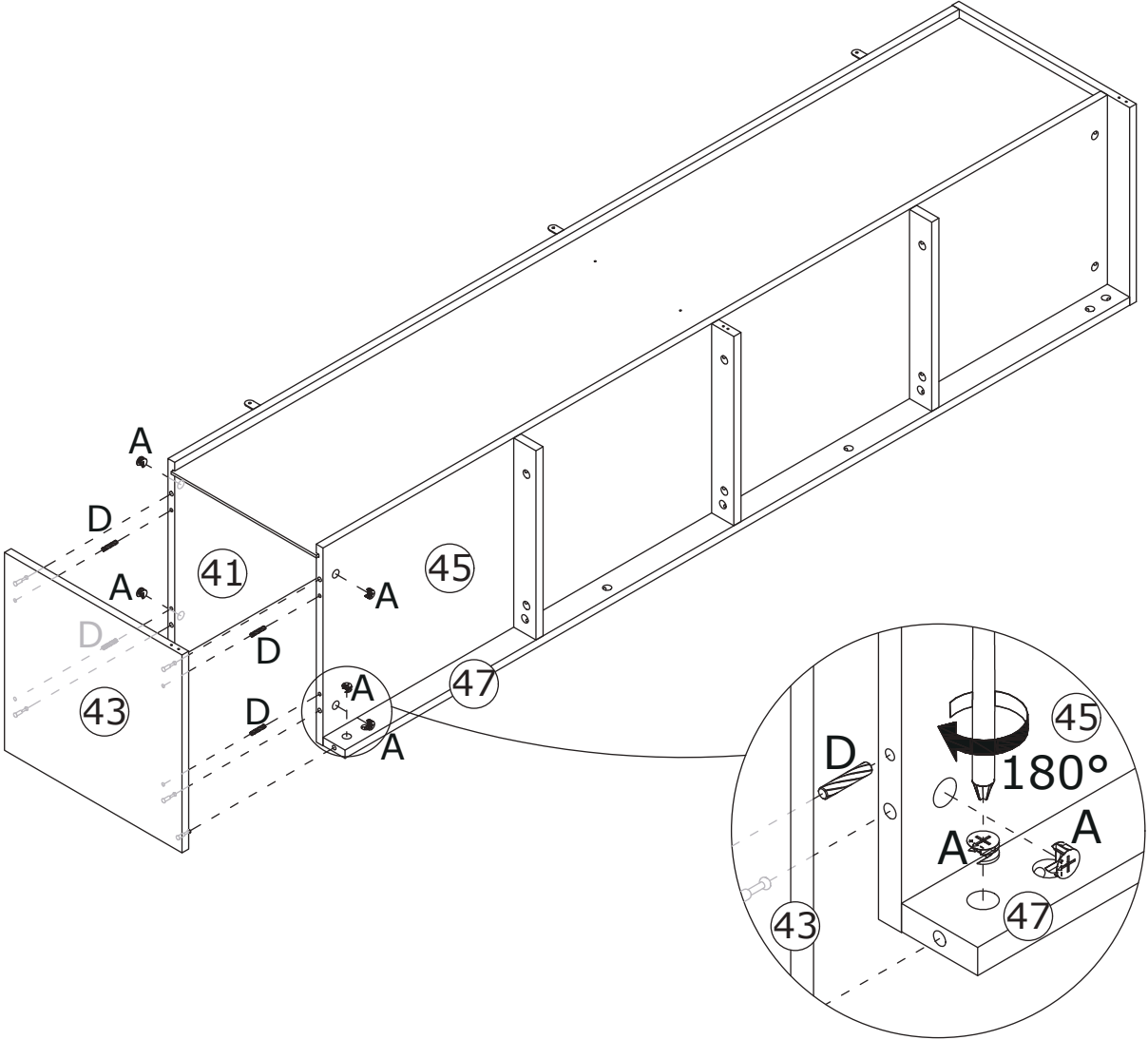
Secure panel 46 to panel 44 using screw (Z).



34

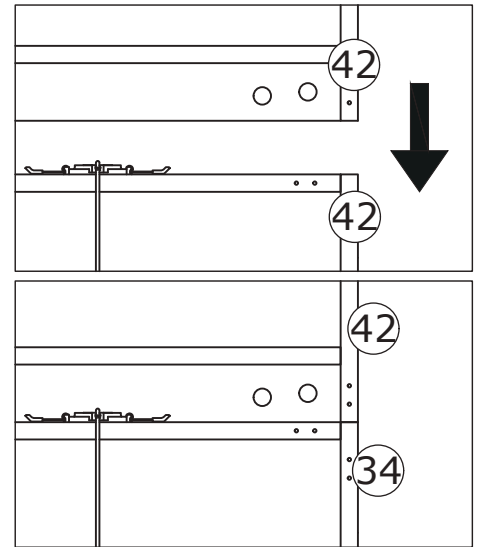
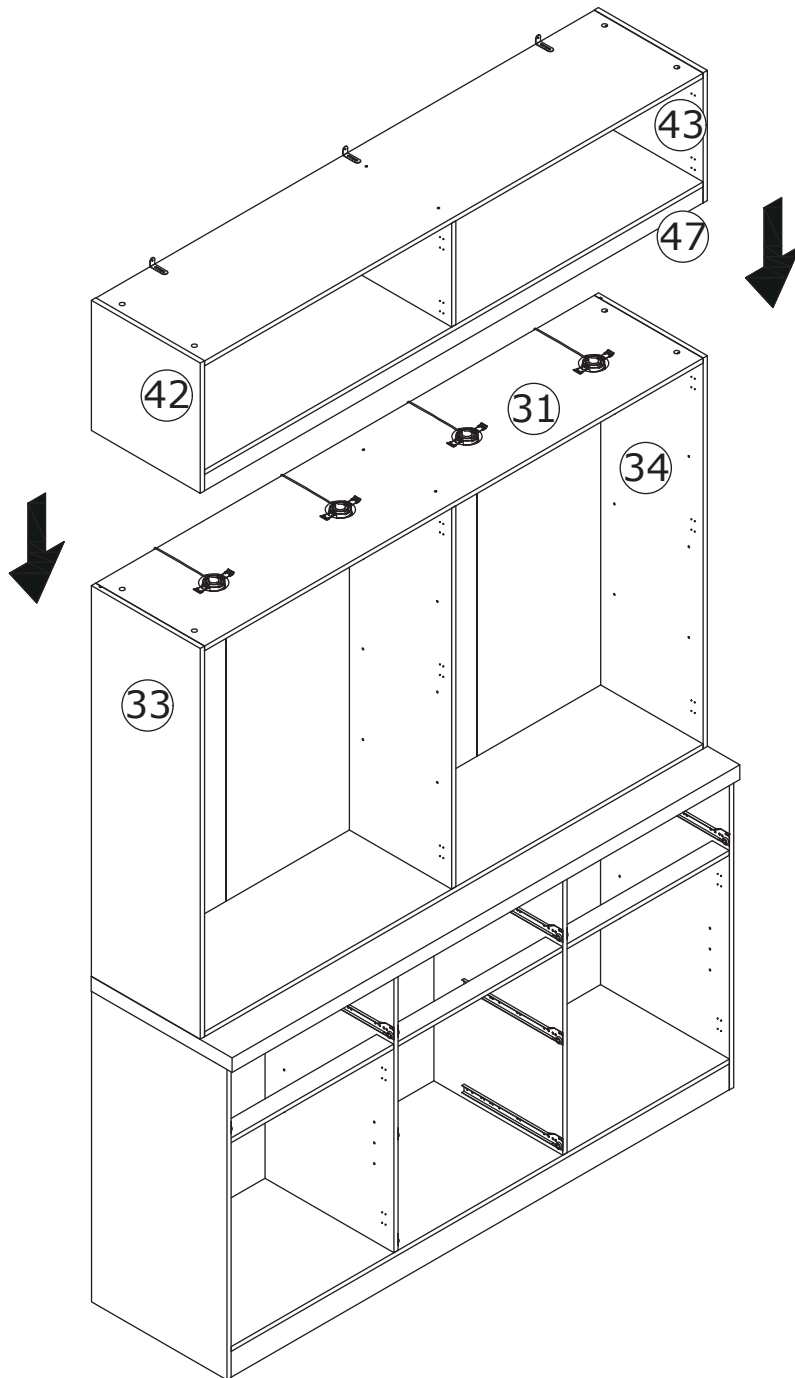


Connect panel 43 to panel 41, 45, and 47 using dowel (D), then tighten by turning eccentric wheel (A) clockwise.

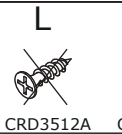
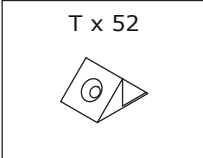


35

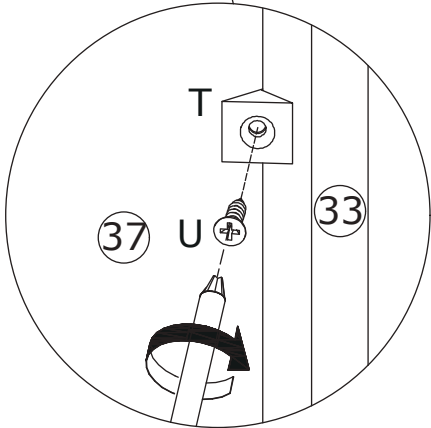
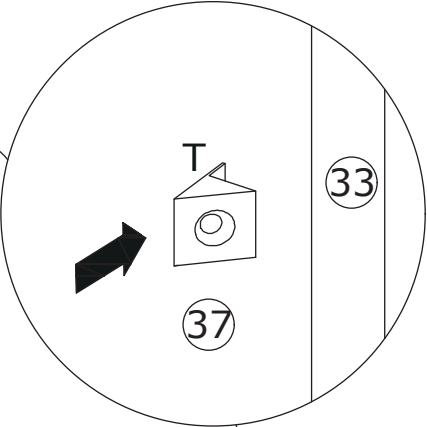
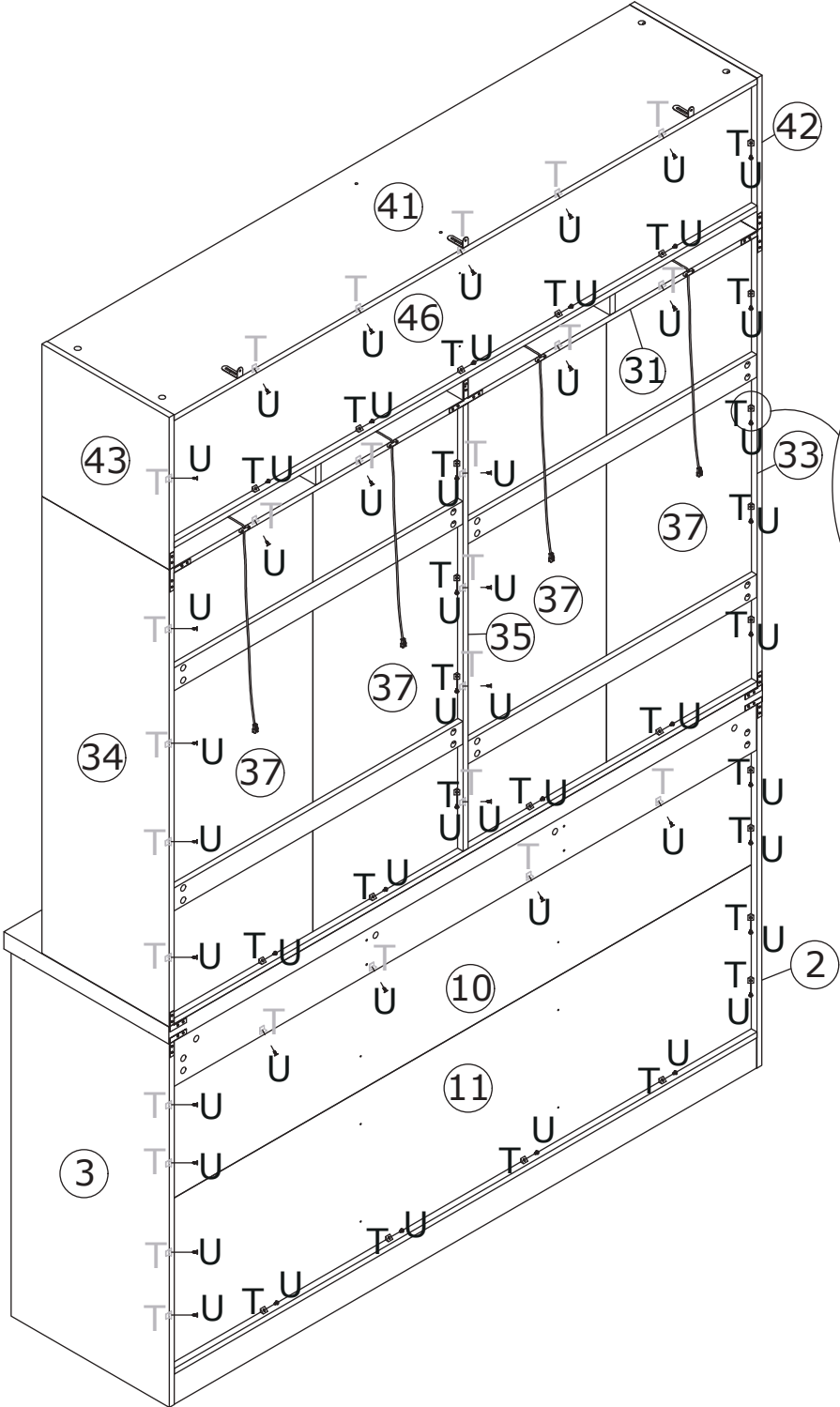
Place the modular unit on top of the cabinet.



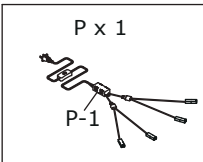
37



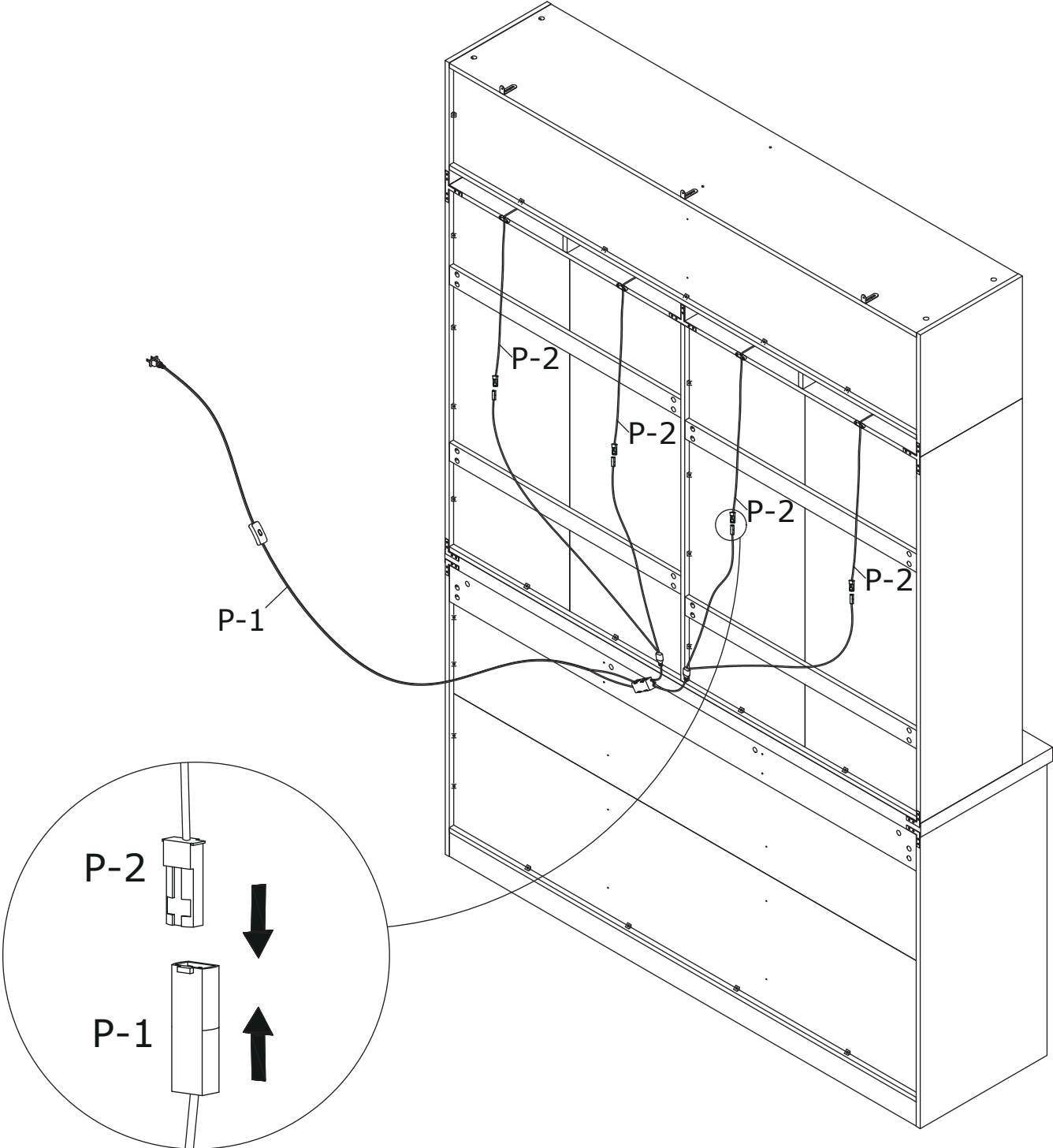
Insert clip (T) into back slots and secure using screw (U).



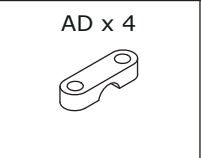
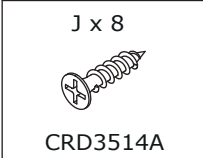
38



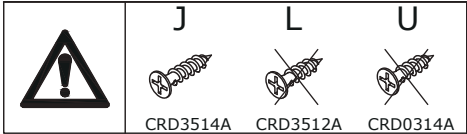
Connect the light cord (P-1) to the spotlight (P-2).



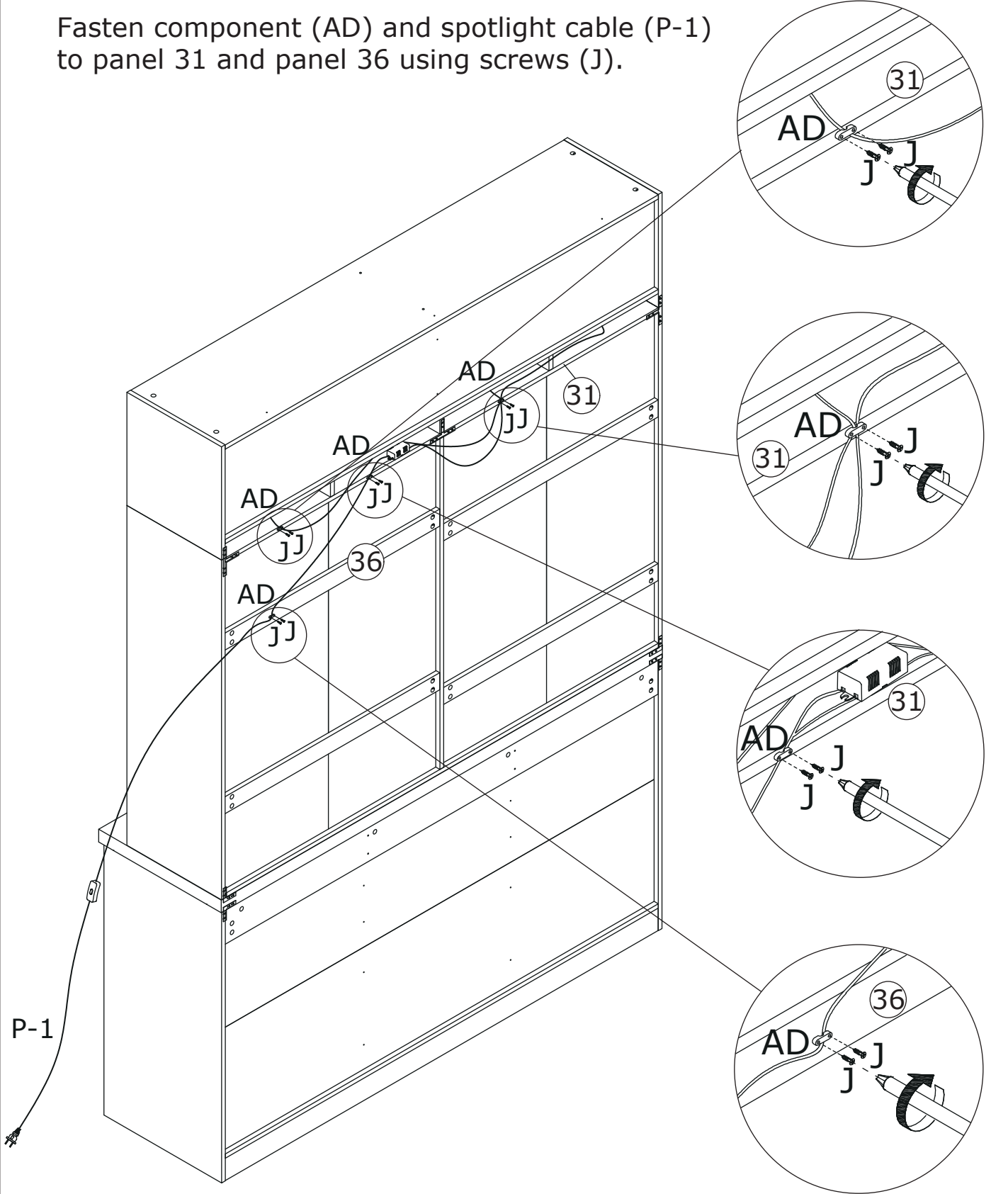
39



Option A



Fasten component (AD) and spotlight cable (P-1) to panel 31 and panel 36 using screws (J).



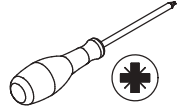
40

J x 8



CRD3514A

AD x 4



Option B



J



CRD3514A

L



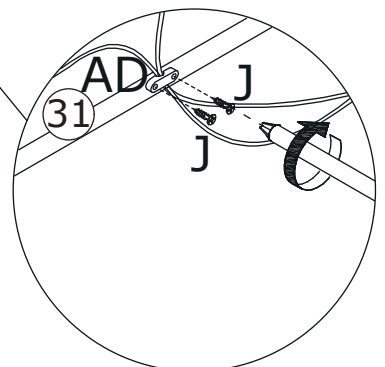
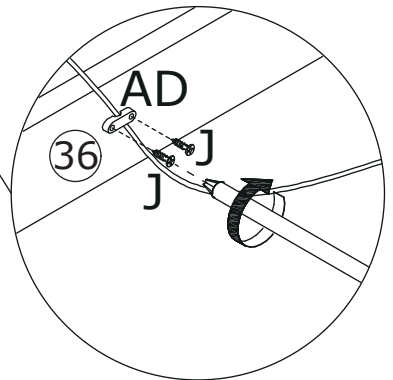
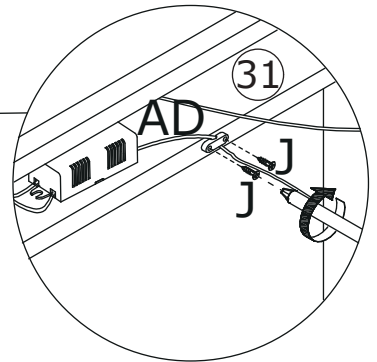
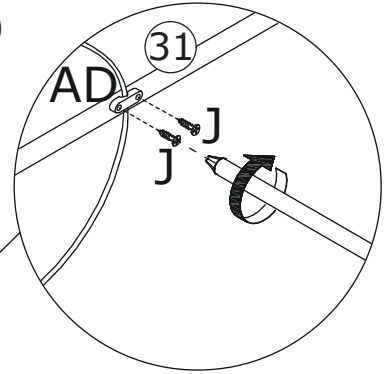
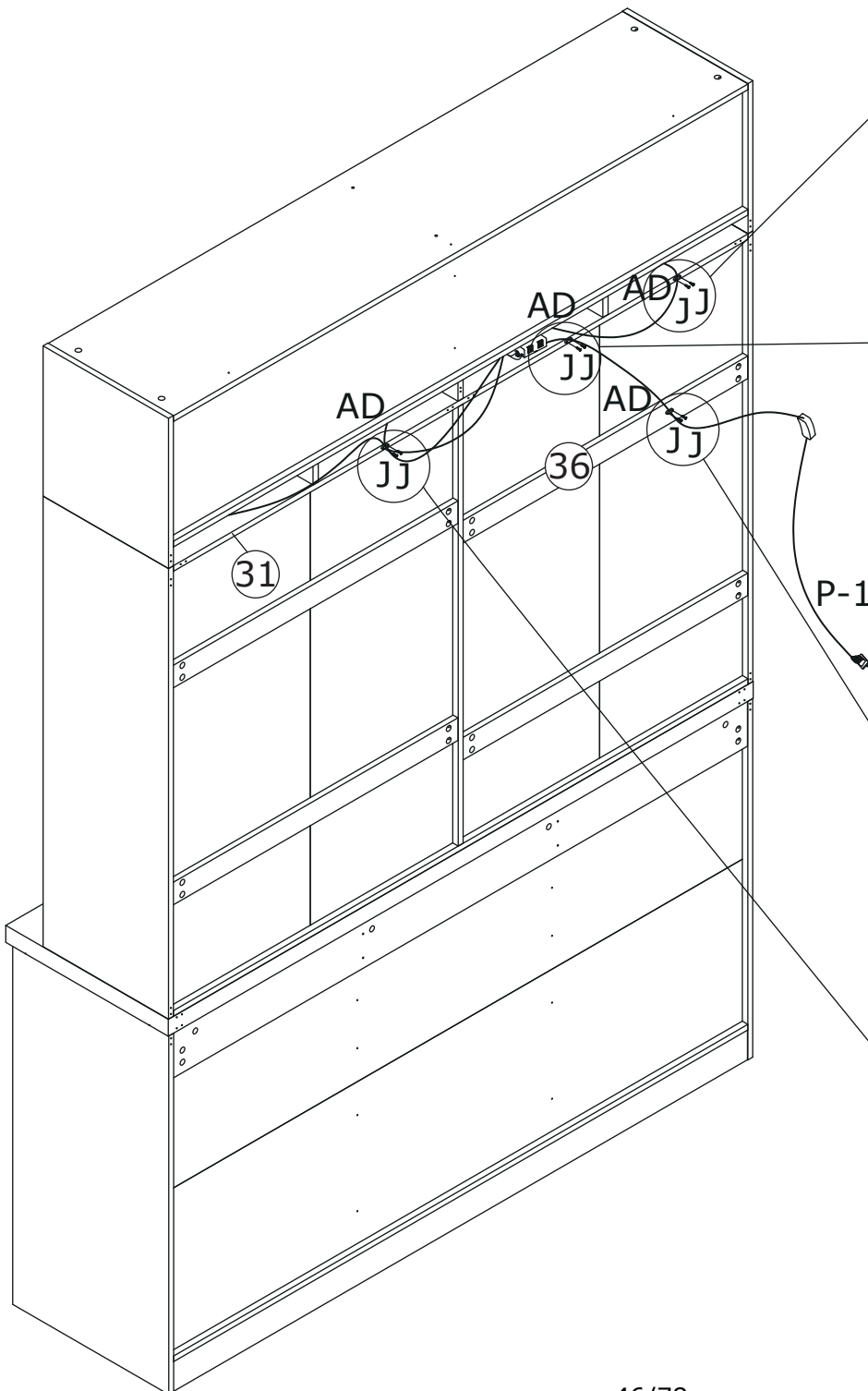
CRD3512A

U

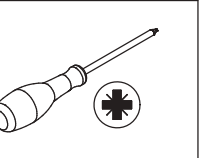
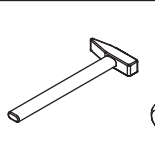
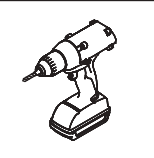
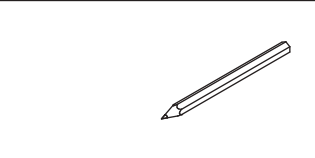


CRD0314A

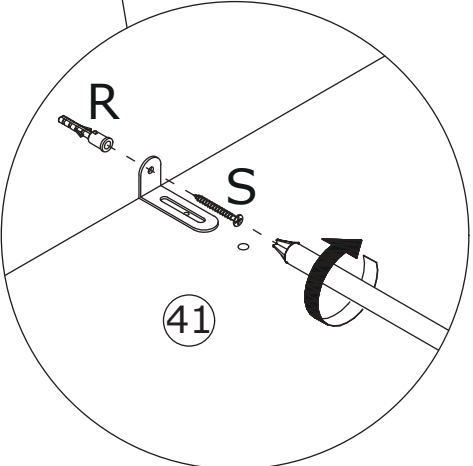
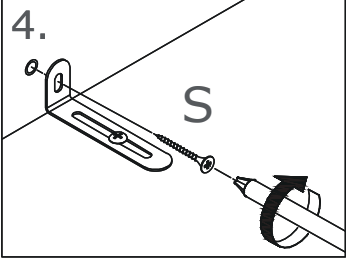
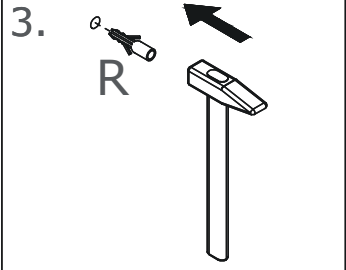
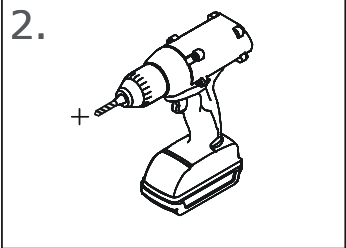
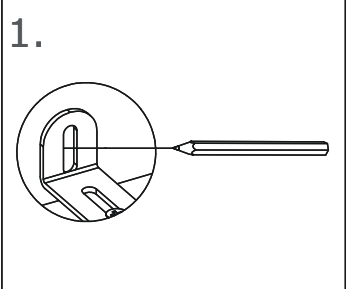
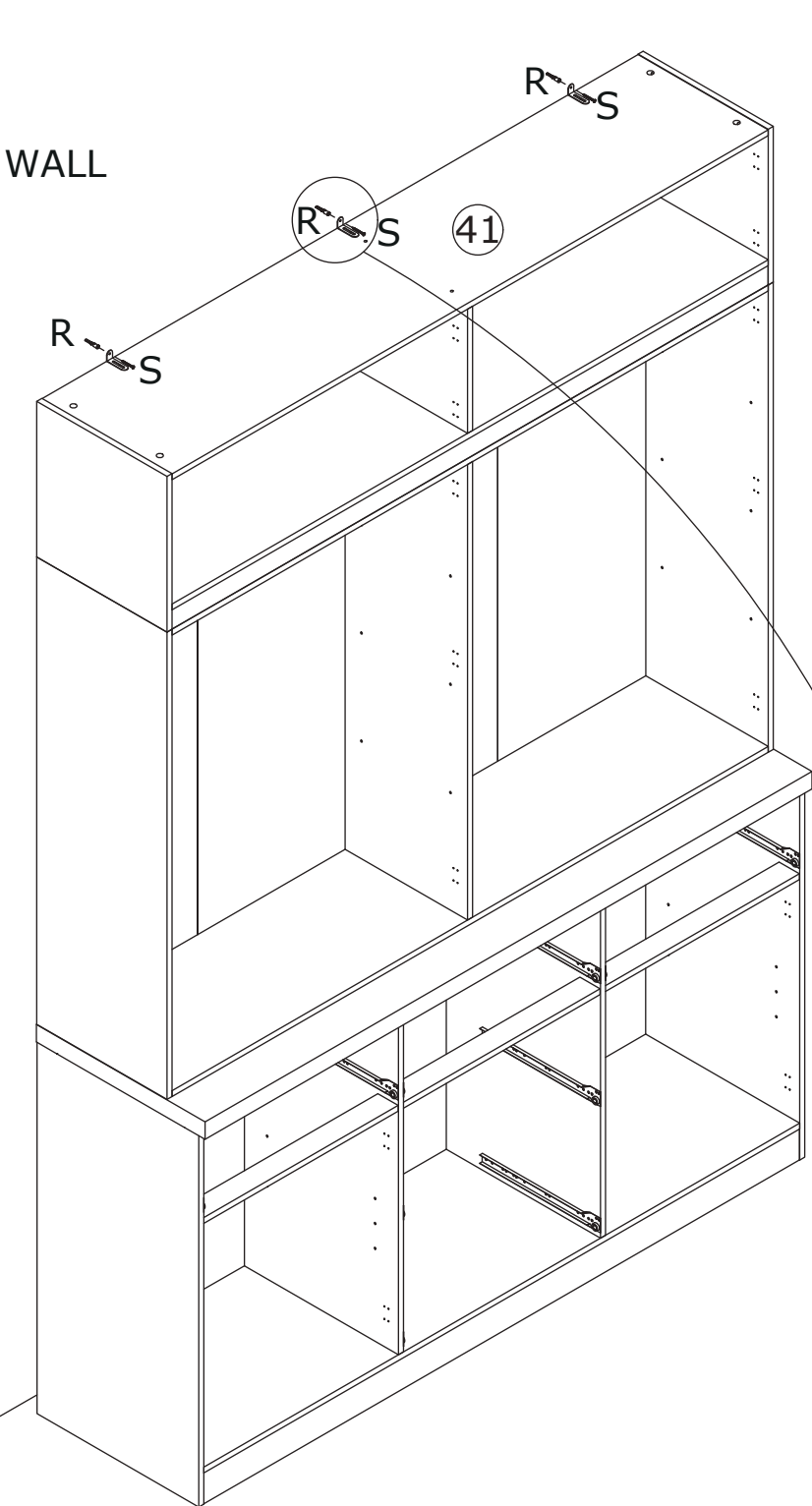
Fasten component (AD) and spotlight cable (P-1) to panel 31 and panel 36 using screws (J).



41



Install the anti-tip device.



42

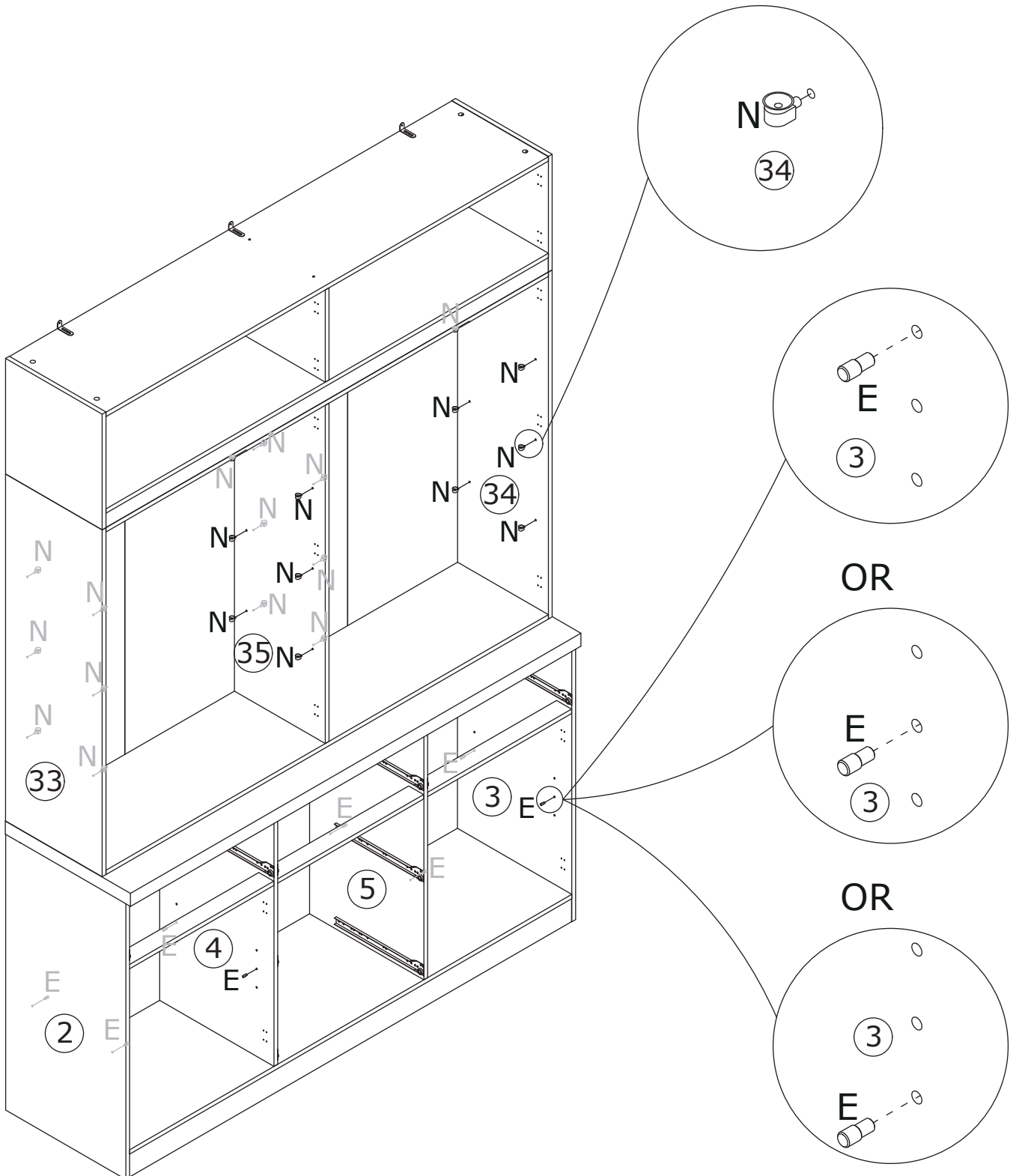
E x 8



N x 24

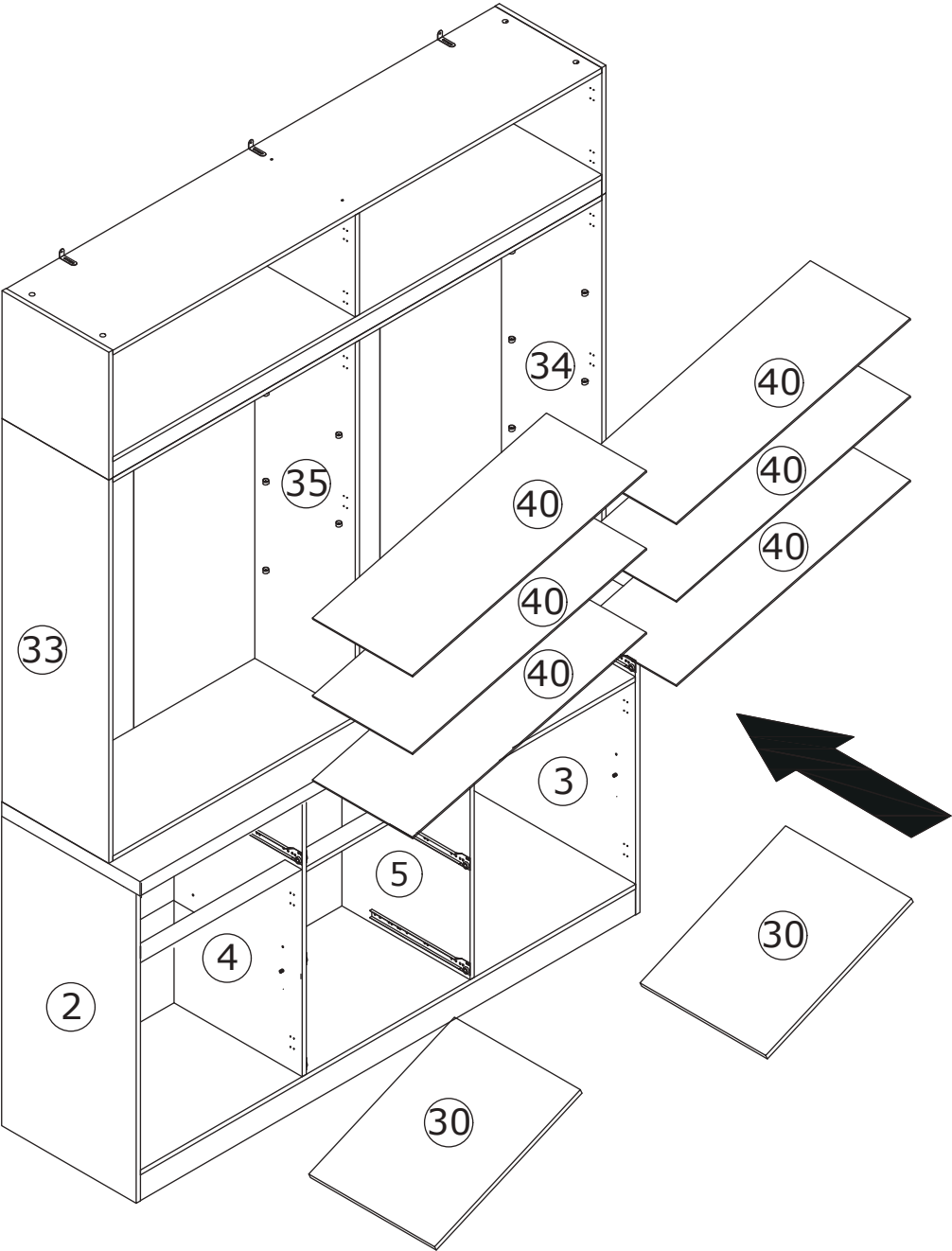
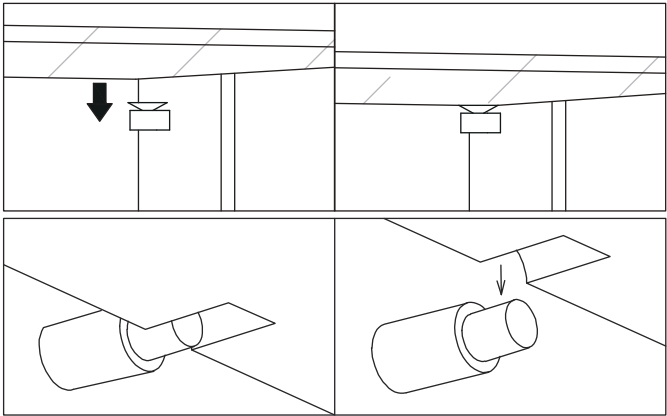


Insert shelf pin (E) into panel 2, 3, 4, and 5.
Insert suction cup (N) into panel 33, 34, and 35.



43

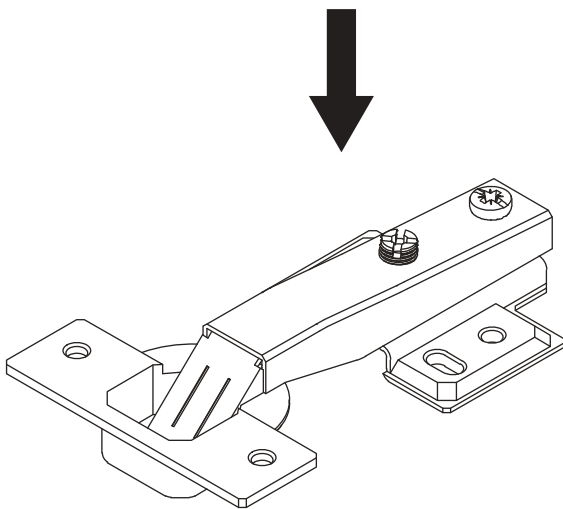
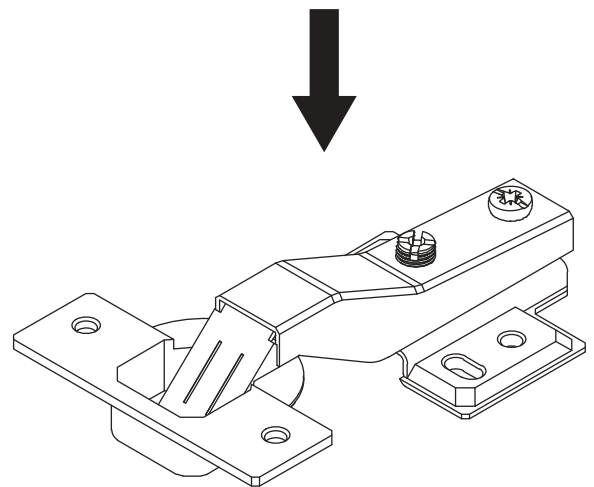
Place glass shelf 40 and the shelf panel 30 to the pins.



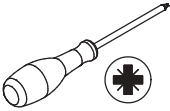
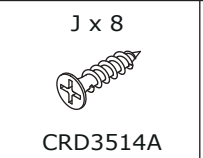


Pay attention to the difference between the middle parts of the two types of door hinges.

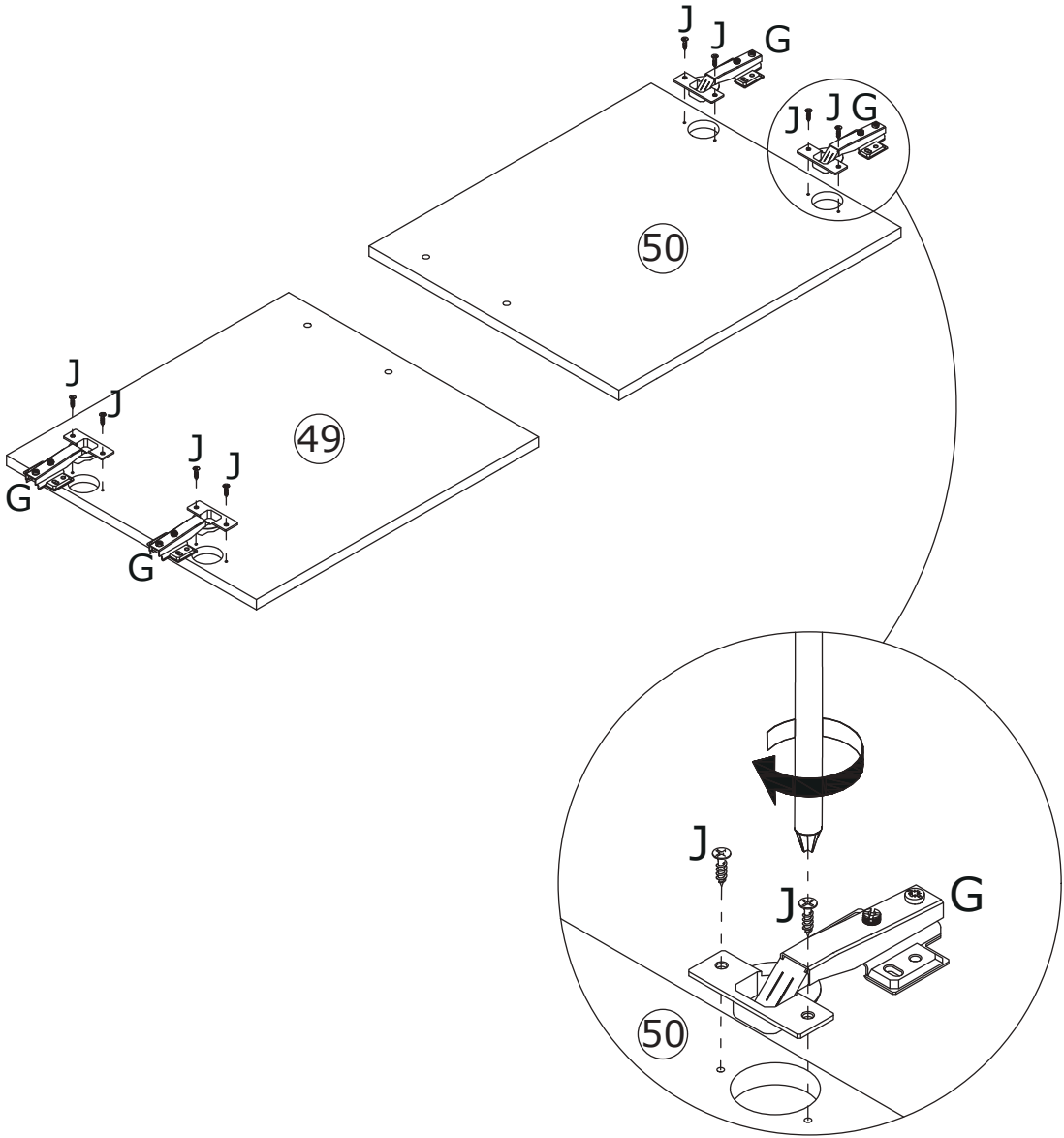
- The full coverage door hinges(G) are used on the outermost door plates.
- And the curved door hinges(H) are used the middle door plates.

**G****H**

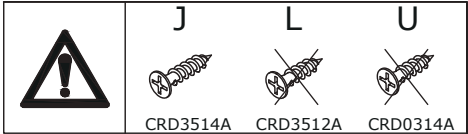
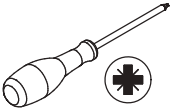
45



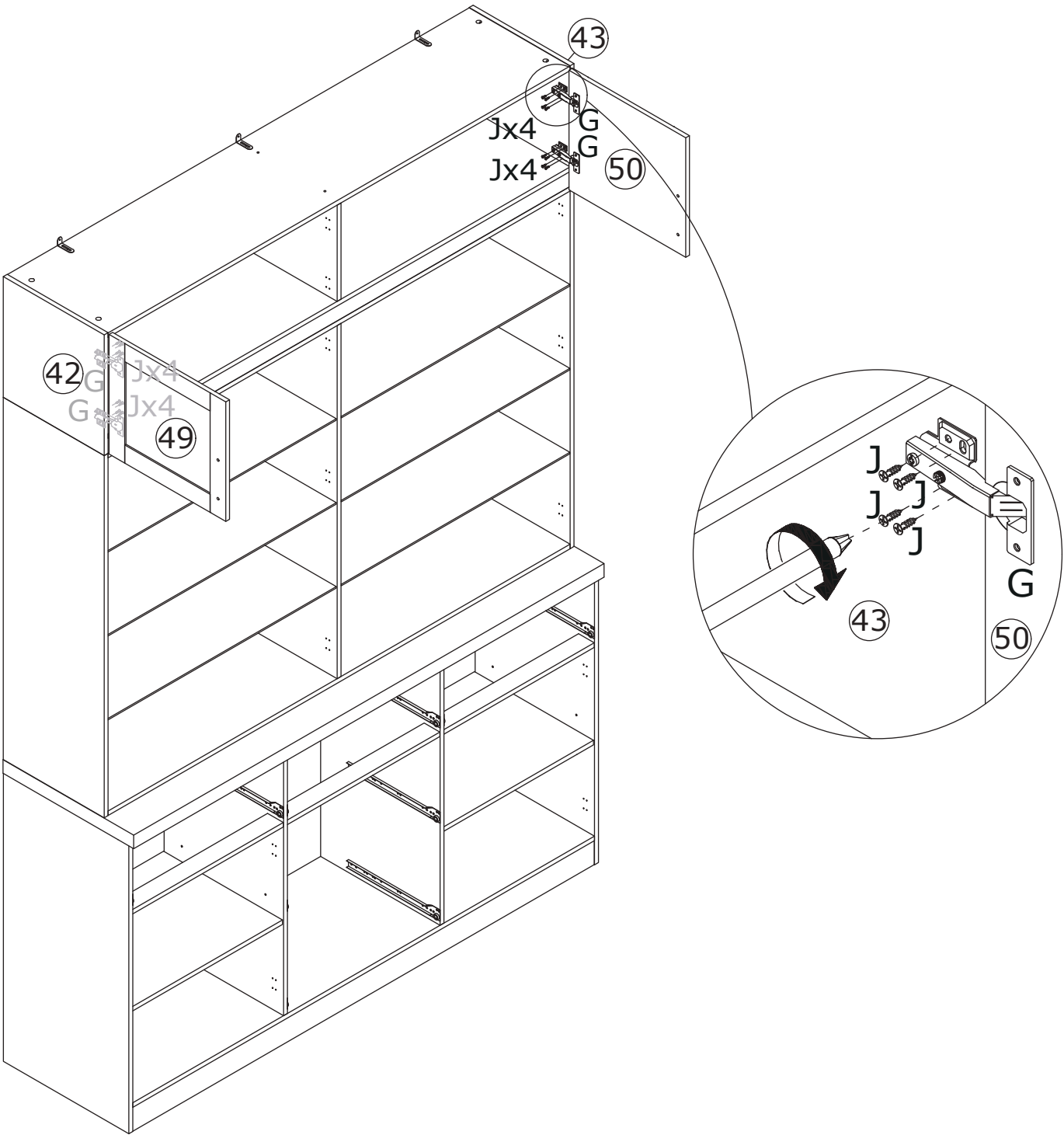
Secure hinge (G) to panel 49 and 50 using screw (J).



46



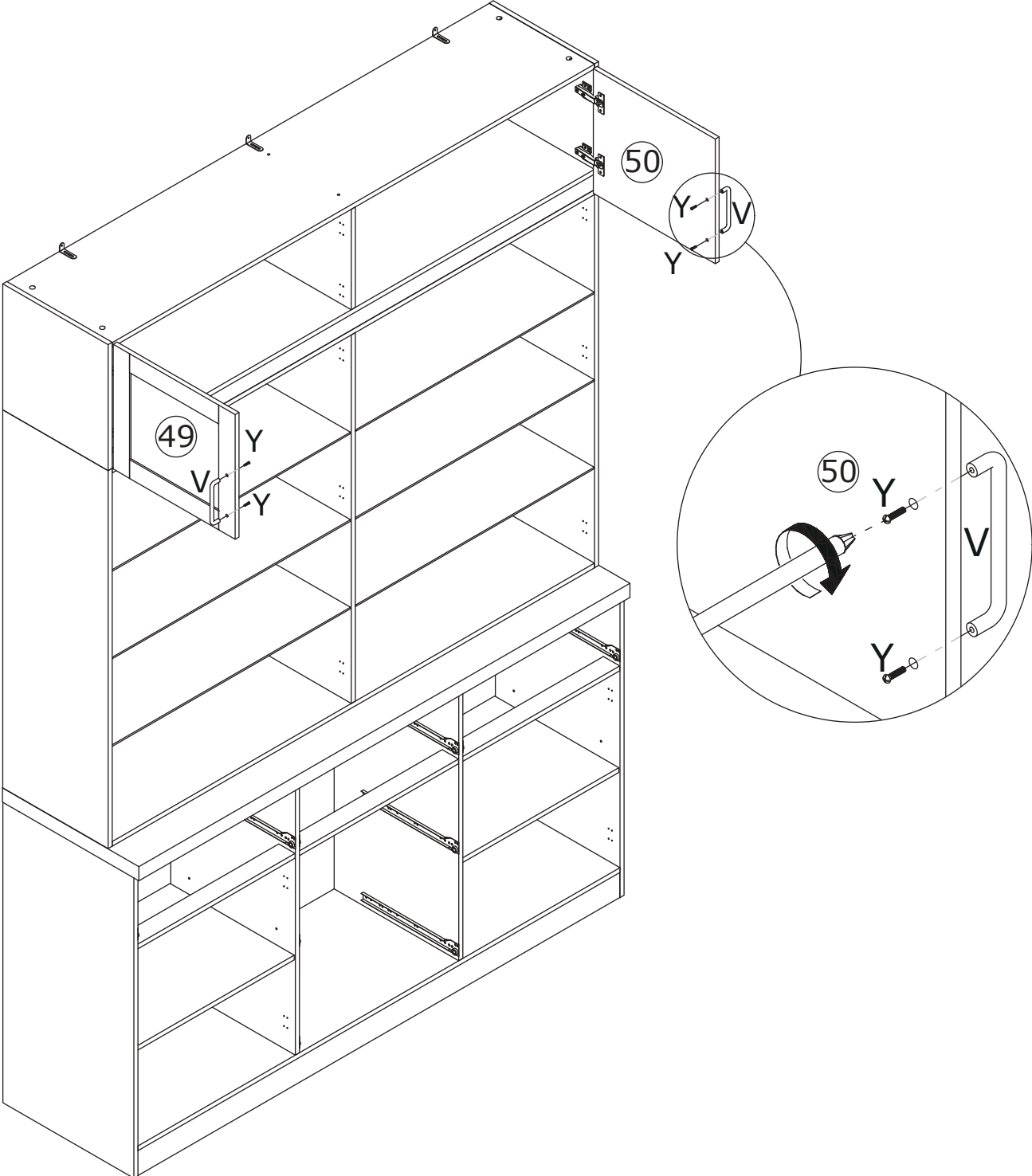
Connect panel 49 and 50 to panel 42 and 43 by securing hinges using screws (J).



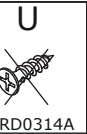
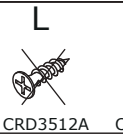
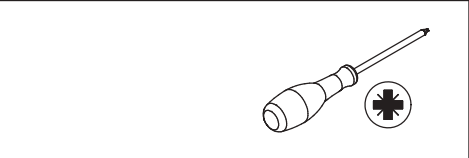
47



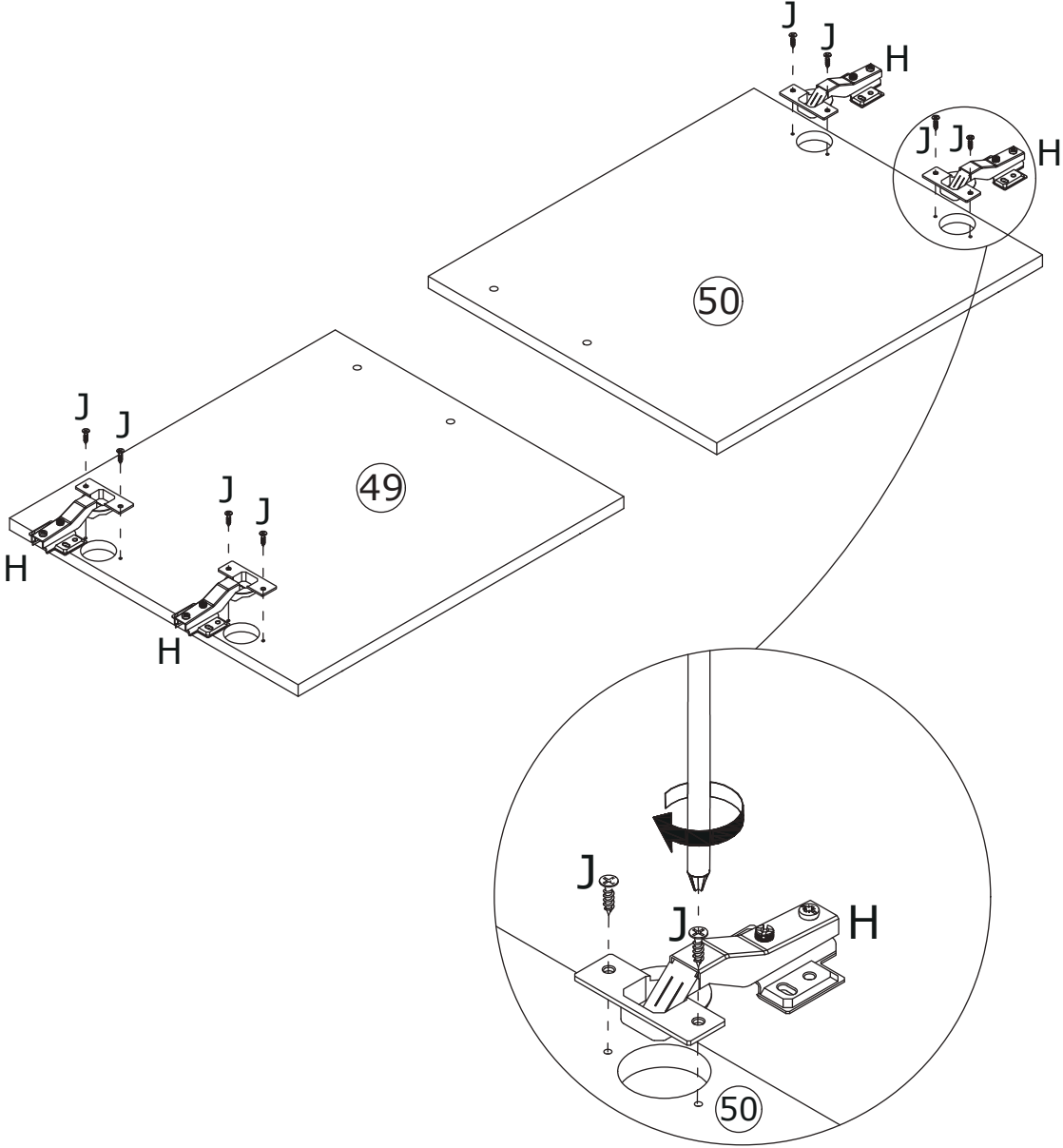
Secure handle (V) to panel 49 and 50 using screw (Y).



48

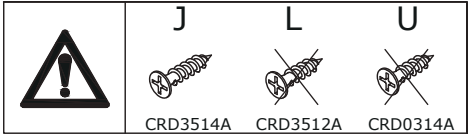
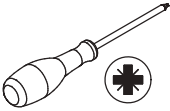


Secure hinge (H) to panel 49 and 50 using screw (J).

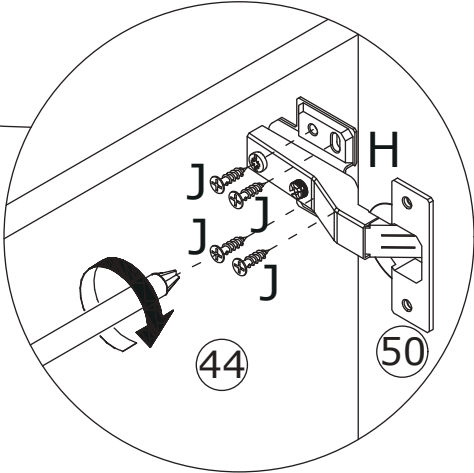
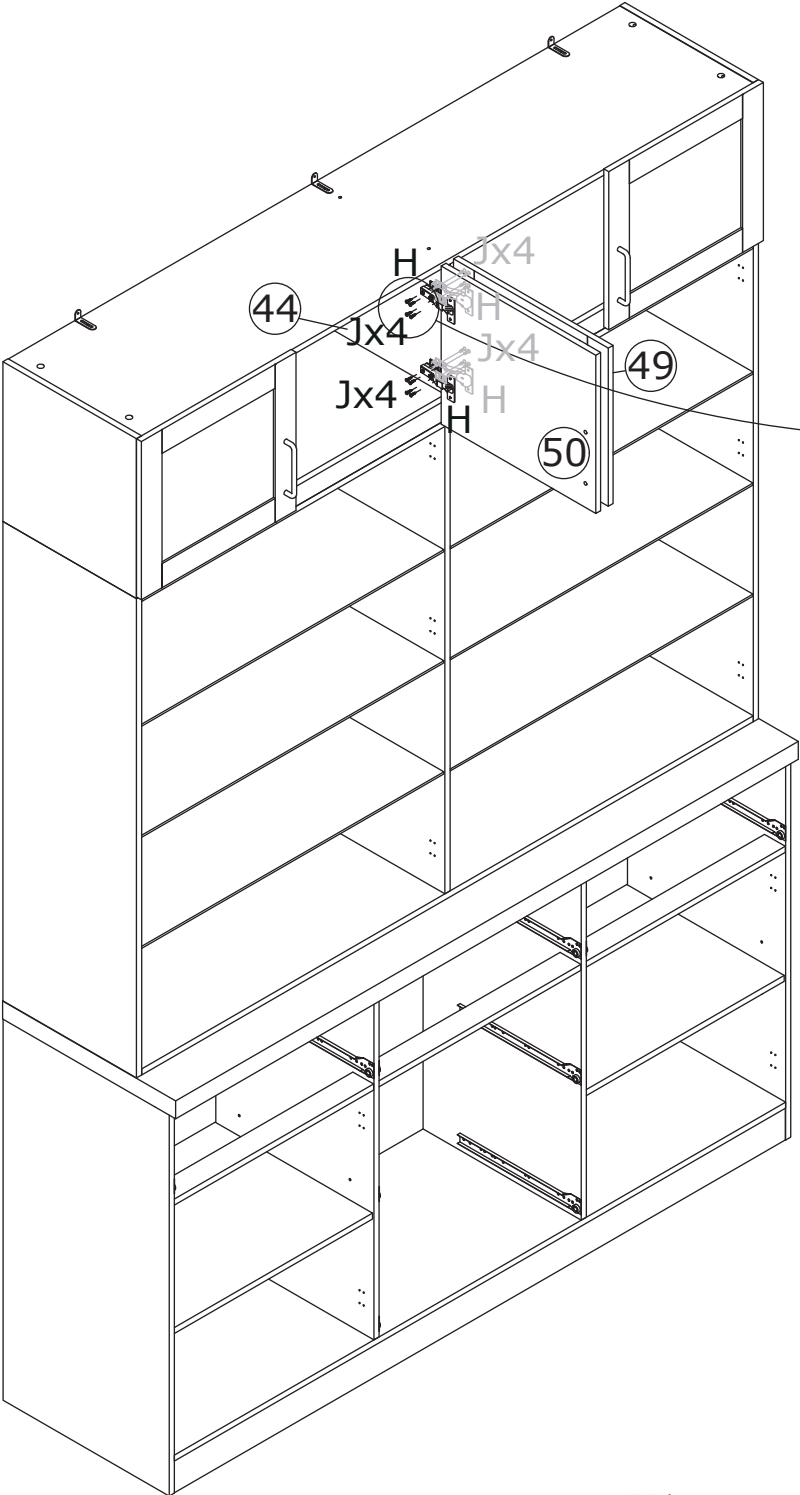


49

J x 16
CRD3514A



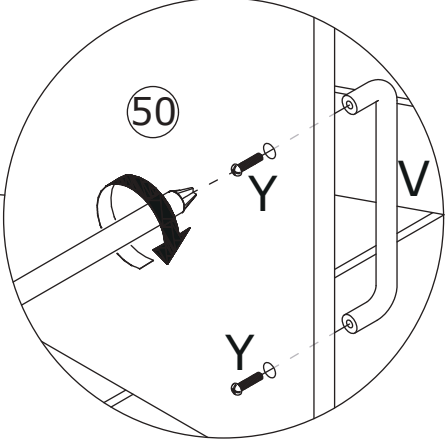
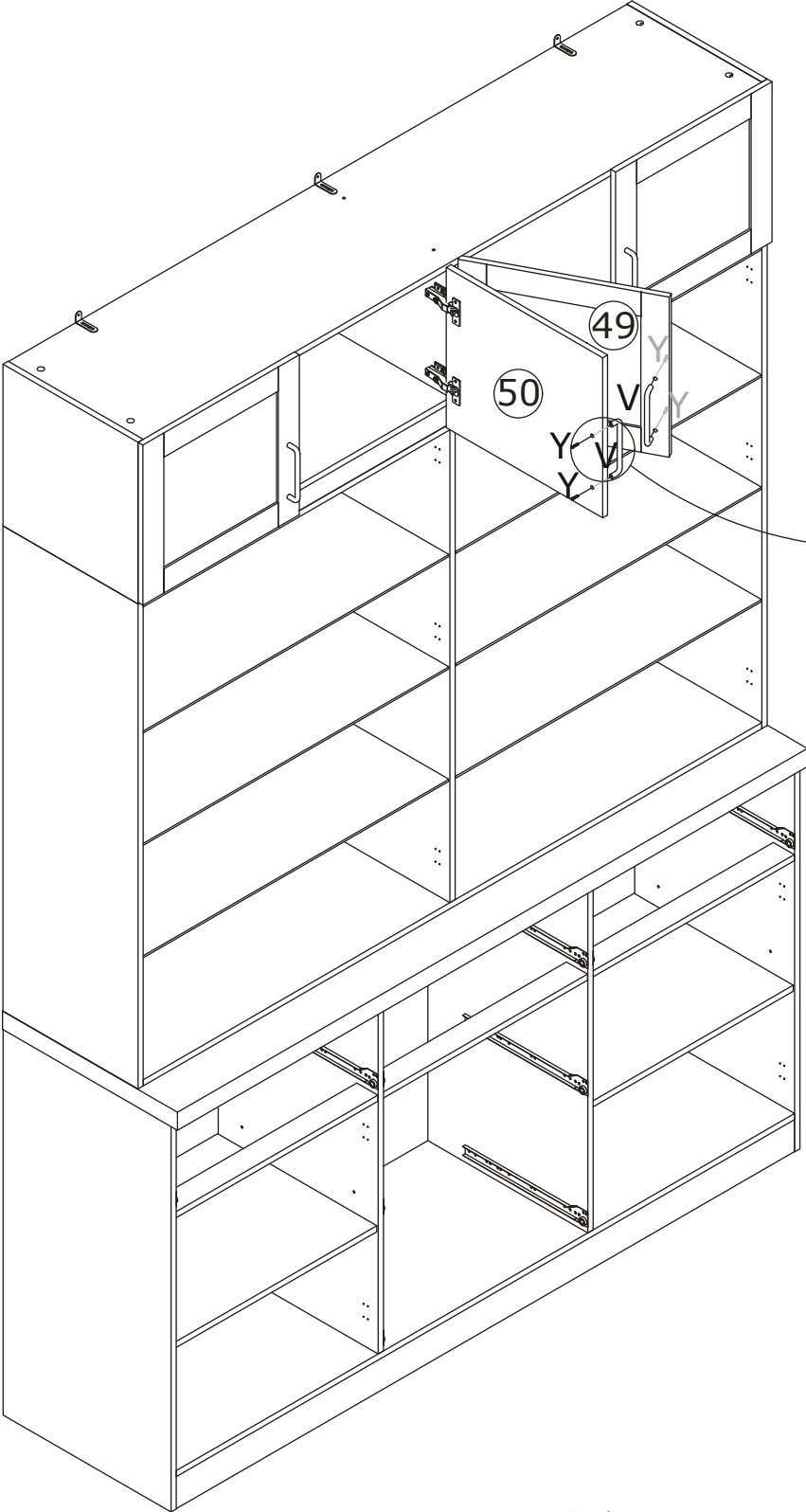
Connect panel 49 and 50 to panel 44 by securing hinges using screws (J).



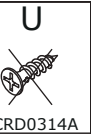
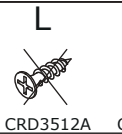
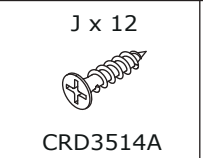
50



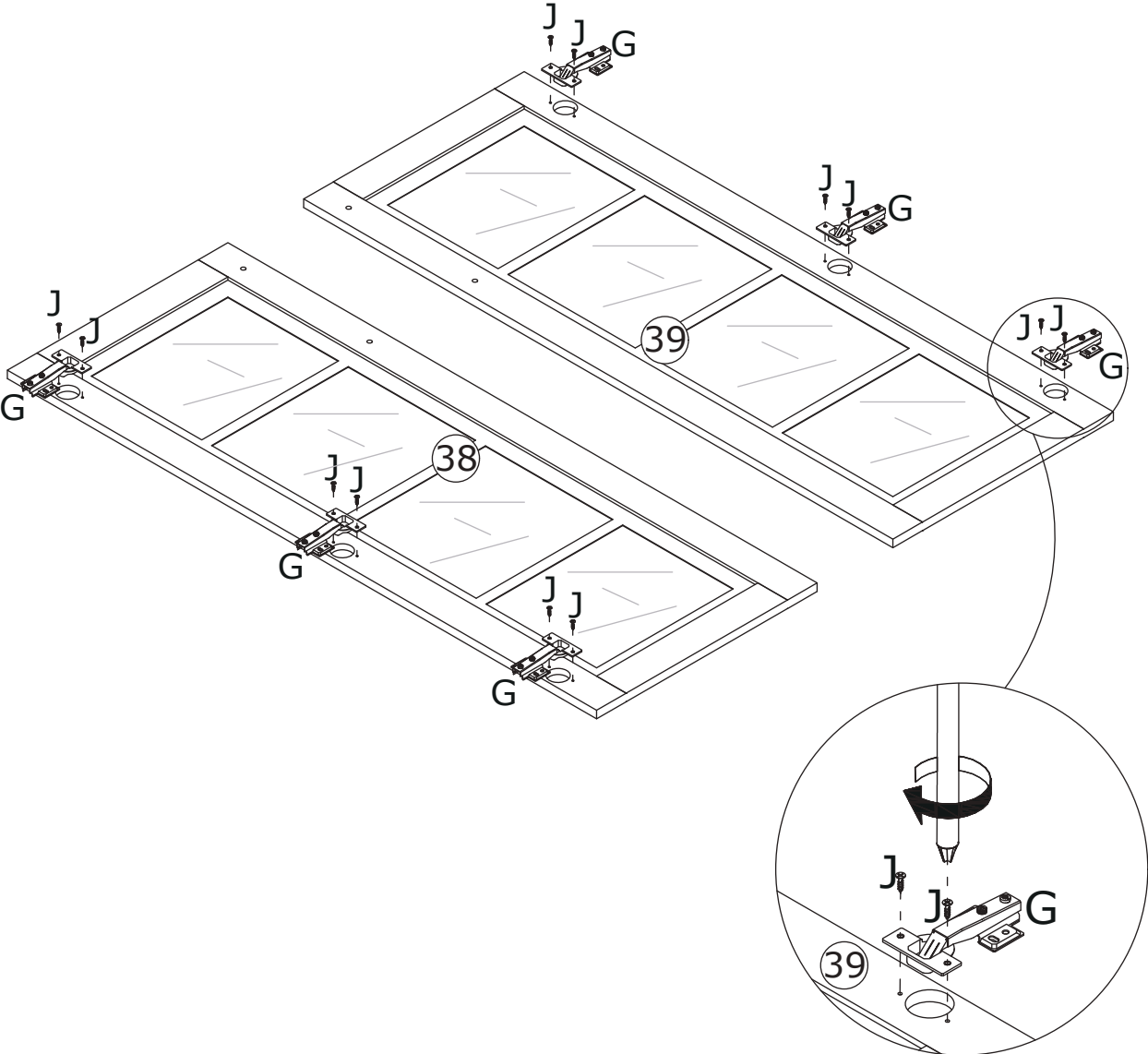
Secure handle (V) to panel 49 and 50 using screw (Y).



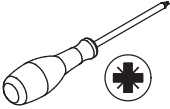
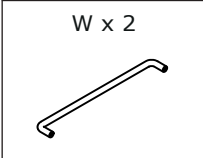
51



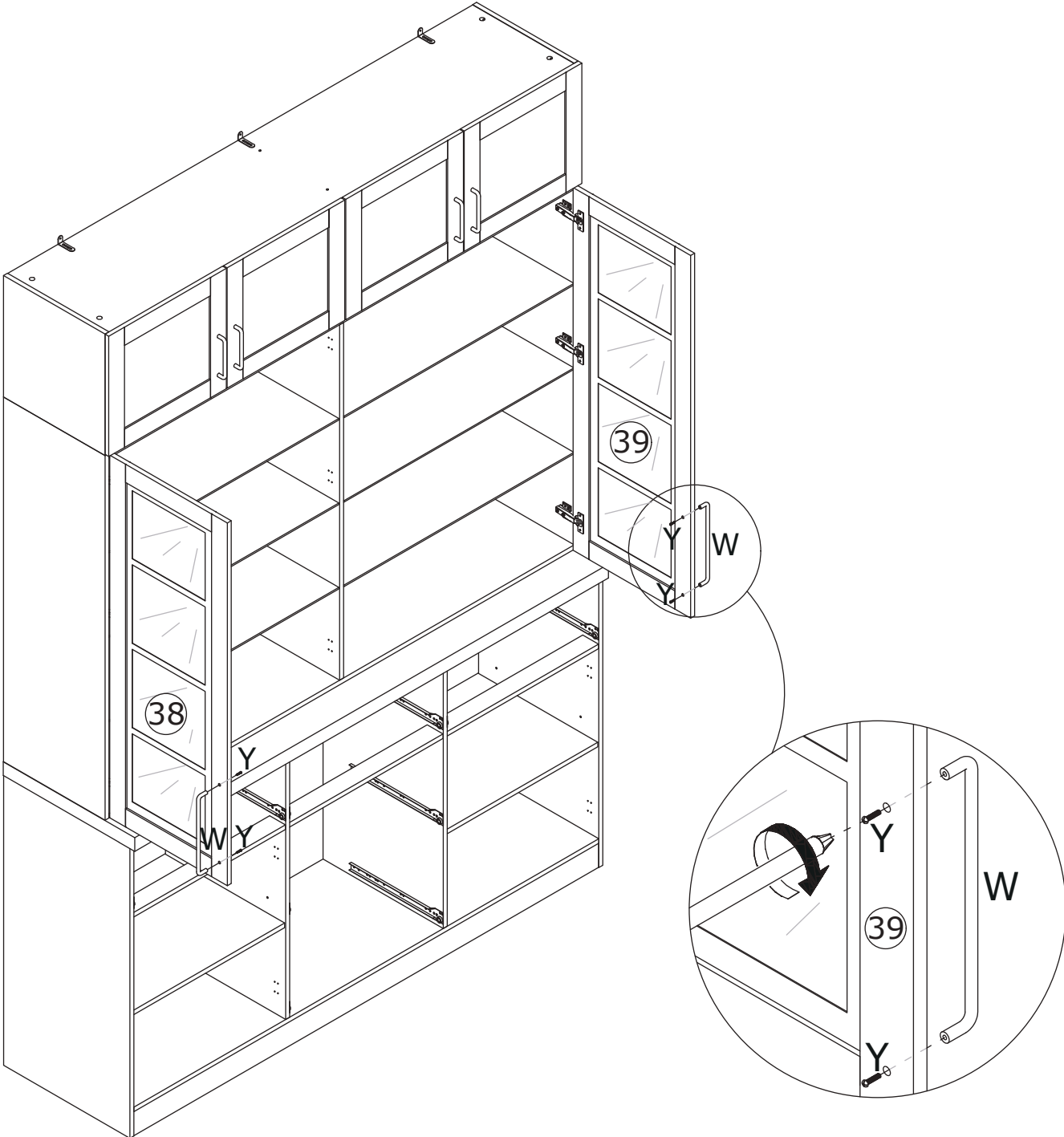
Secure hinge (G) to glass panel 38 and 39 using screw (J).



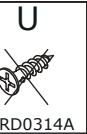
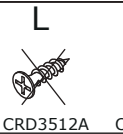
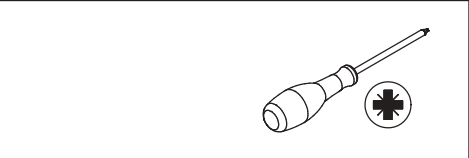
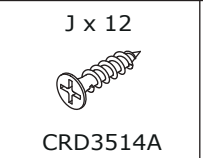
53



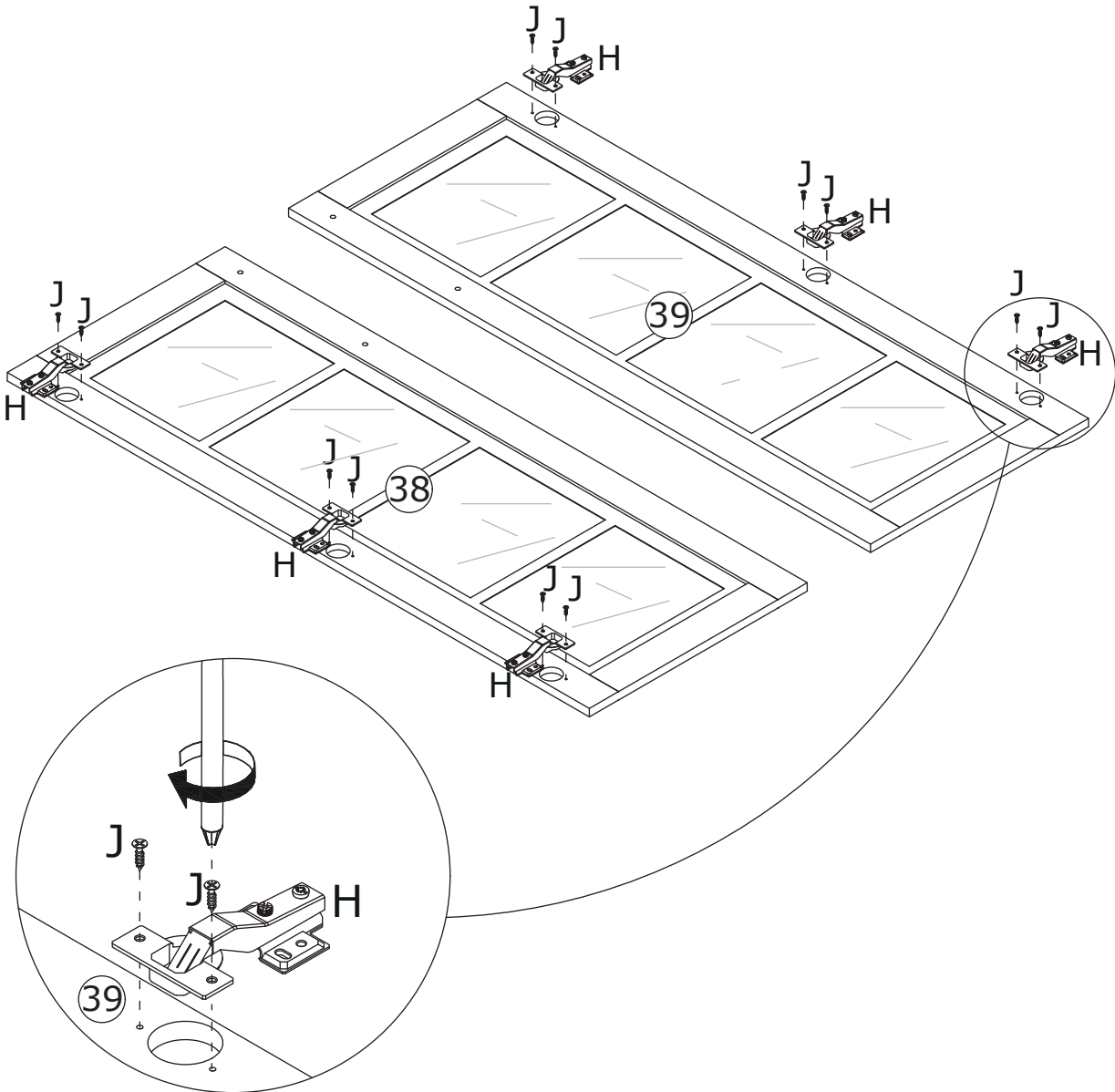
Secure handle (V) to panel 38 and 39 using screw (Y).



54



Secure hinge (H) to glass panel 38 and 39 using screw (J).

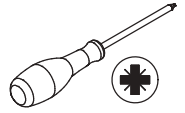


55

J x 24



CRD3514A



J



CRD3514A

L



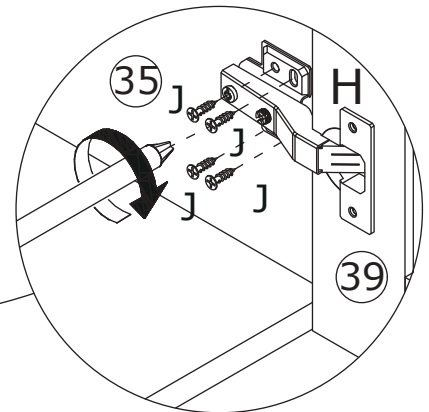
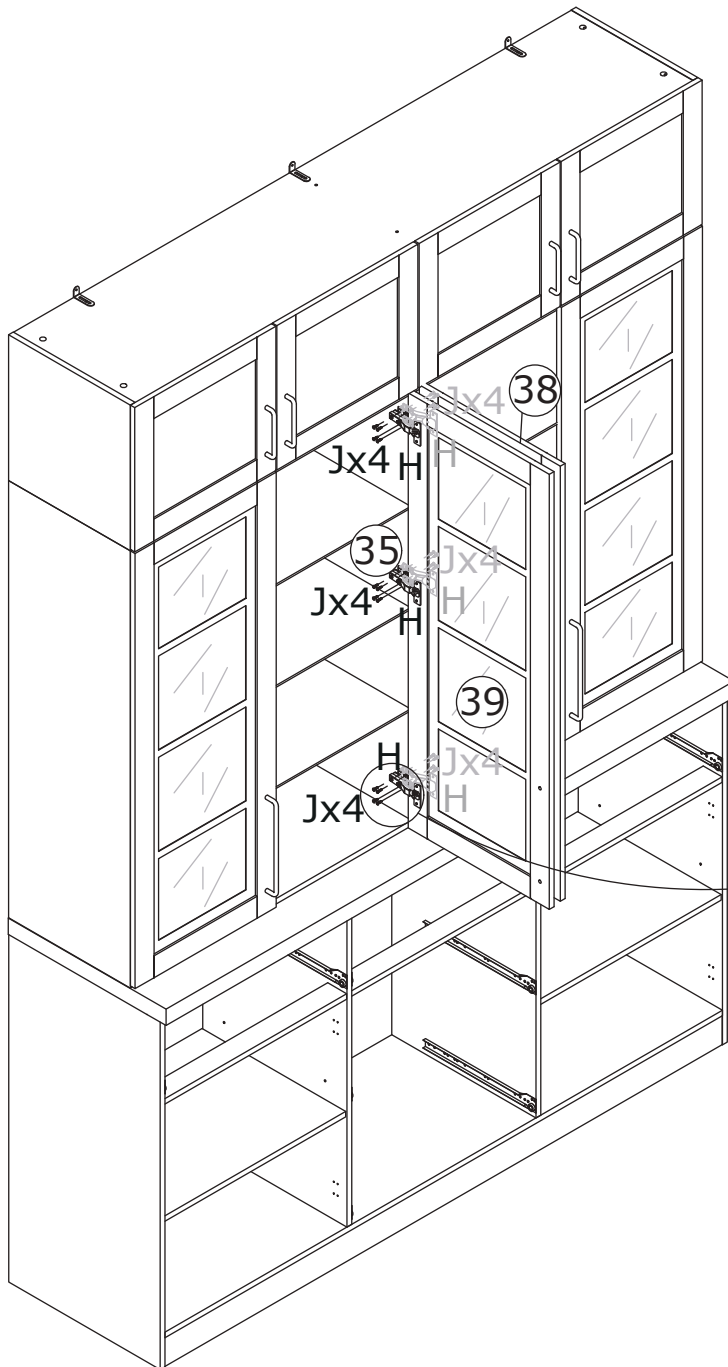
CRD3512A

U

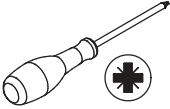
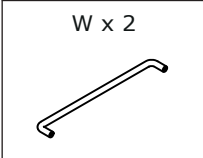


CRD0314A

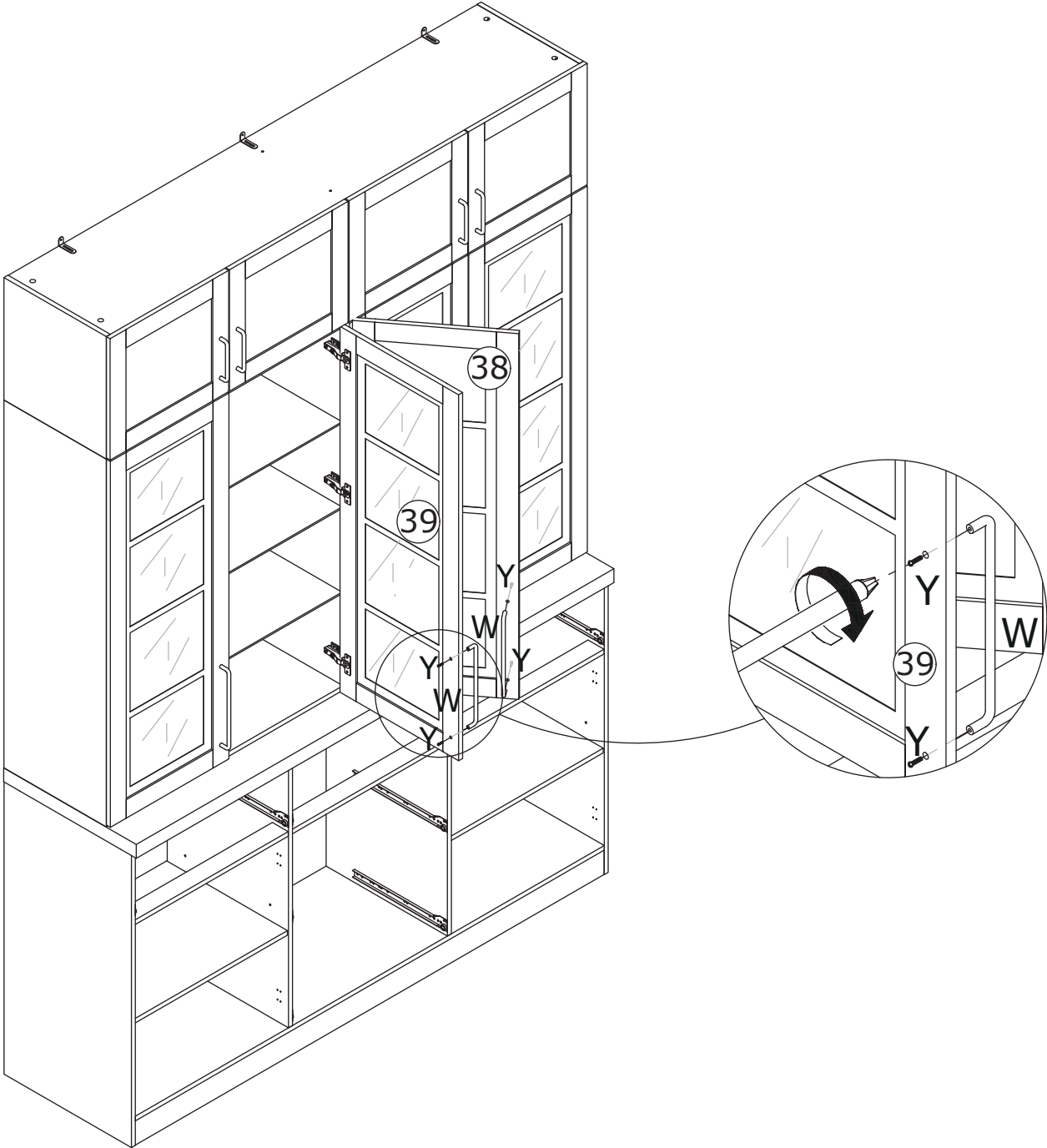
Connect panel 38 and 39 to panel 35 by securing hinges using screws (J).



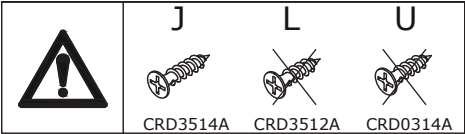
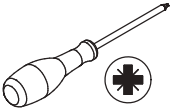
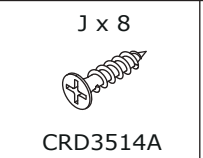
56



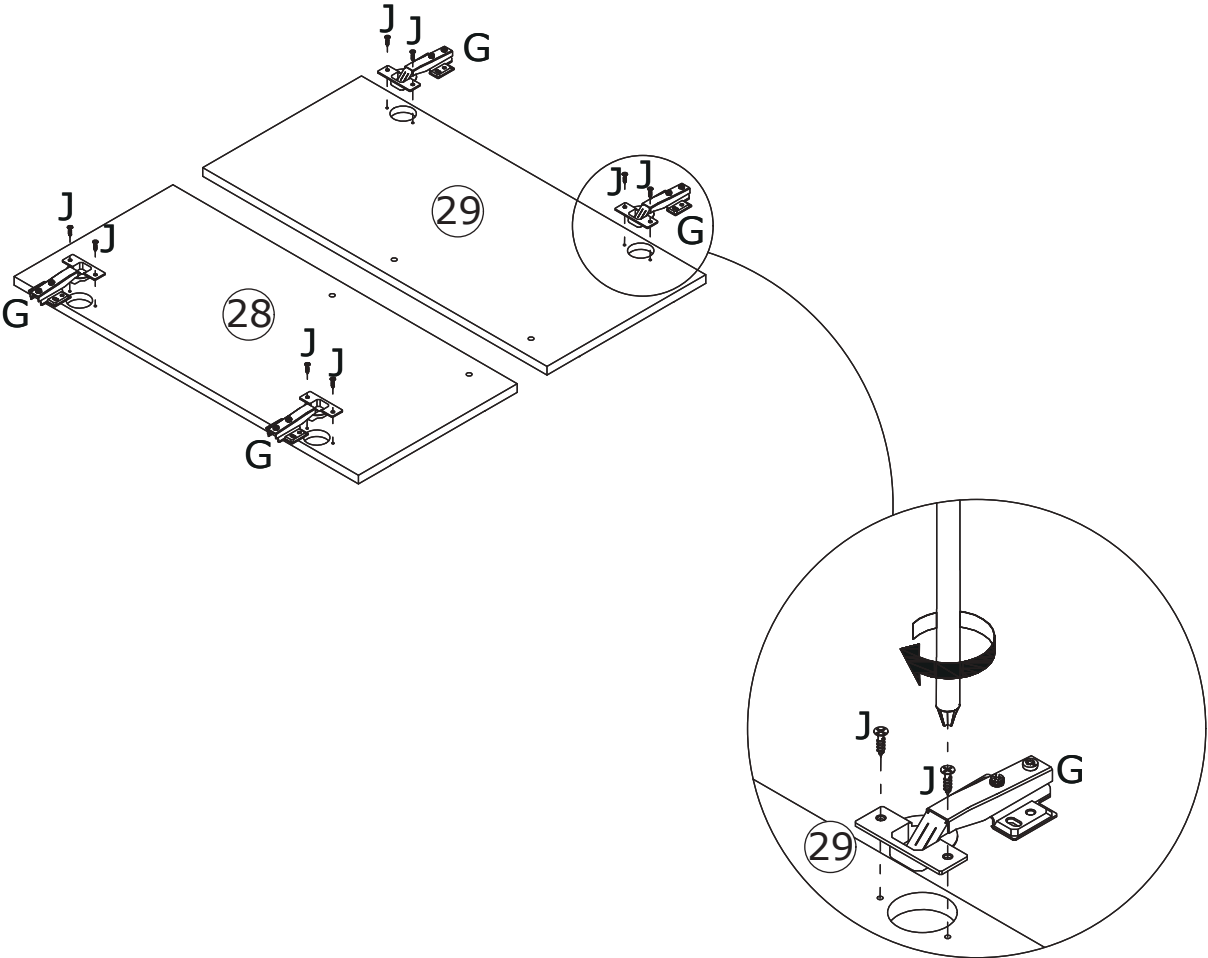
Secure handle (W) to panel 38 and 39 using screw (Y).



57

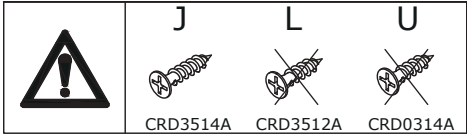
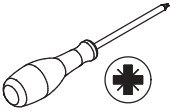


Secure hinge (G) to panel 28 and 29 using screw (J).

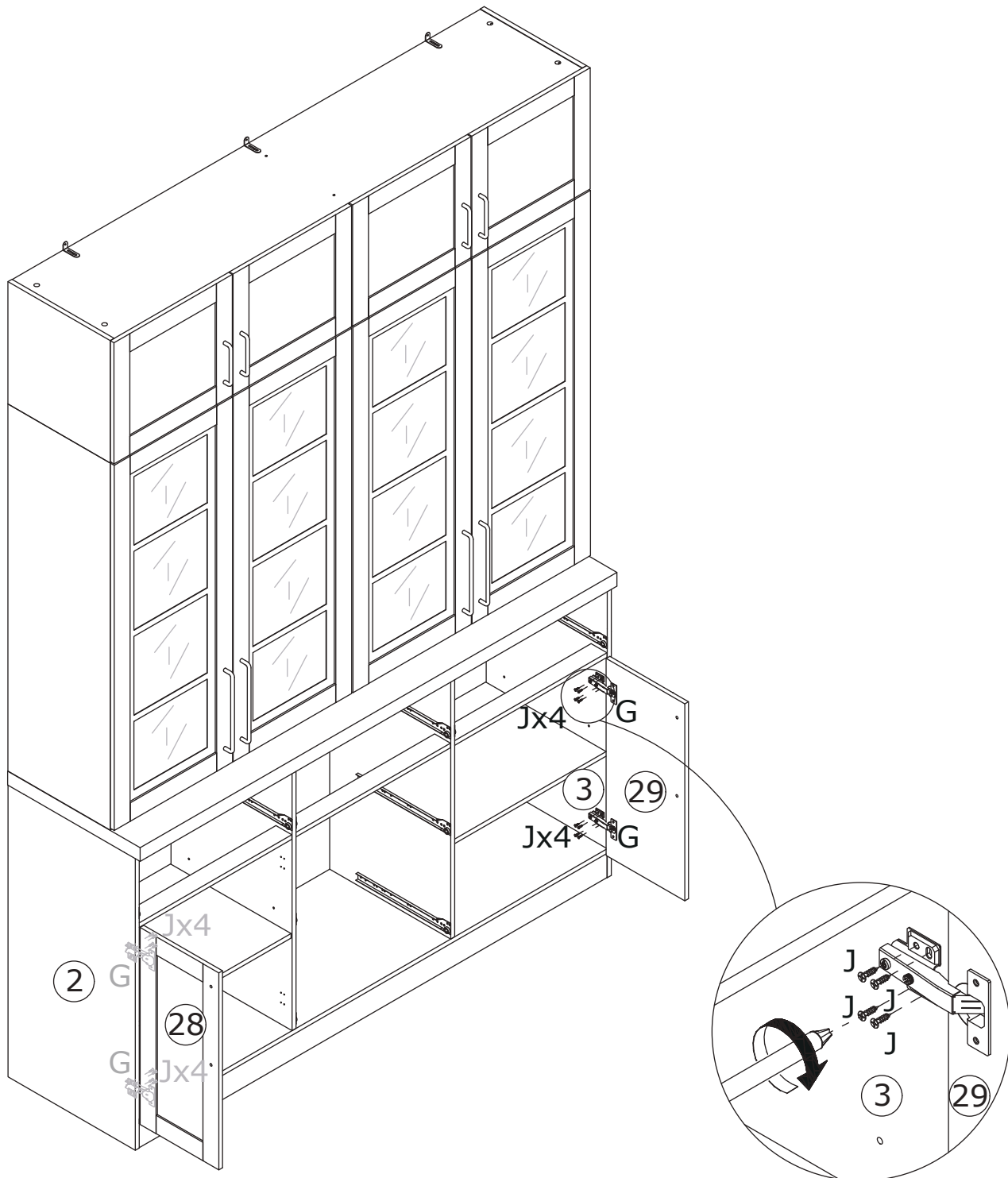


58

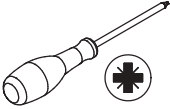
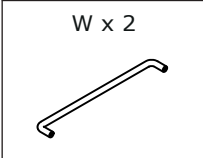
J x 16
CRD3514A



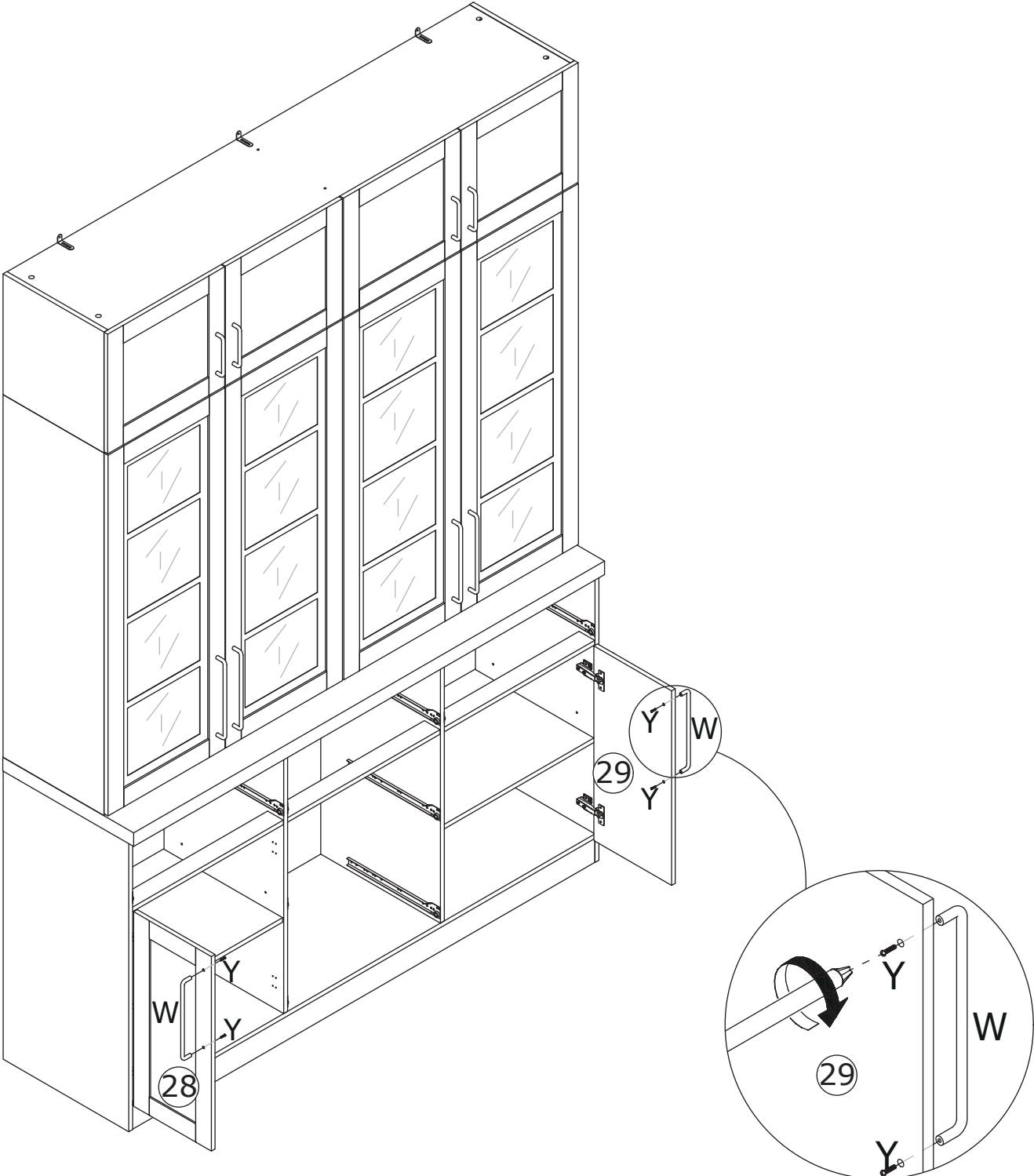
Connect panel 28 and 29 to panel 2 and 3 by securing hinges using screws (J).



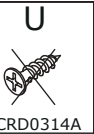
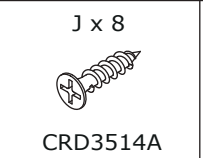
59



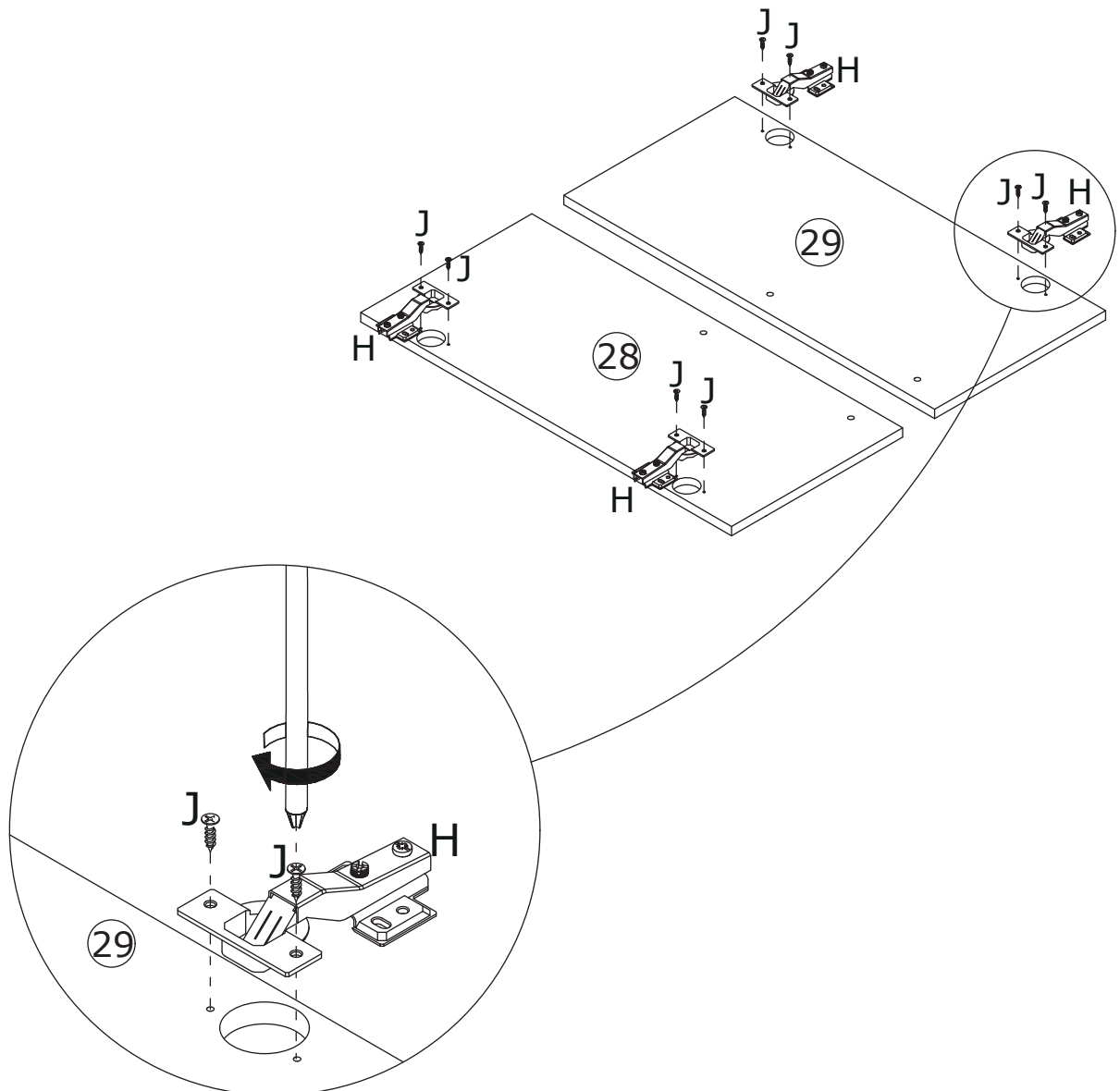
Secure handle (W) to panel 28 and 29 using screw (Y).



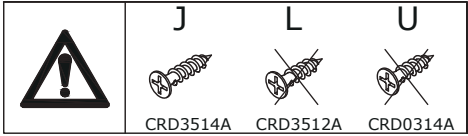
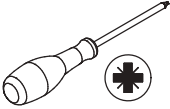
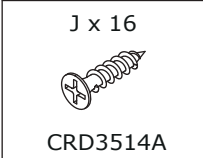
60



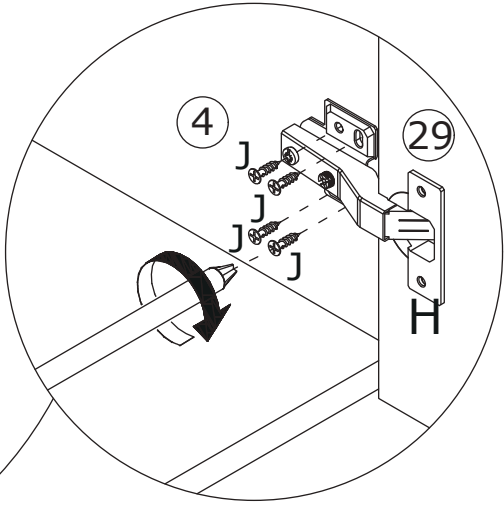
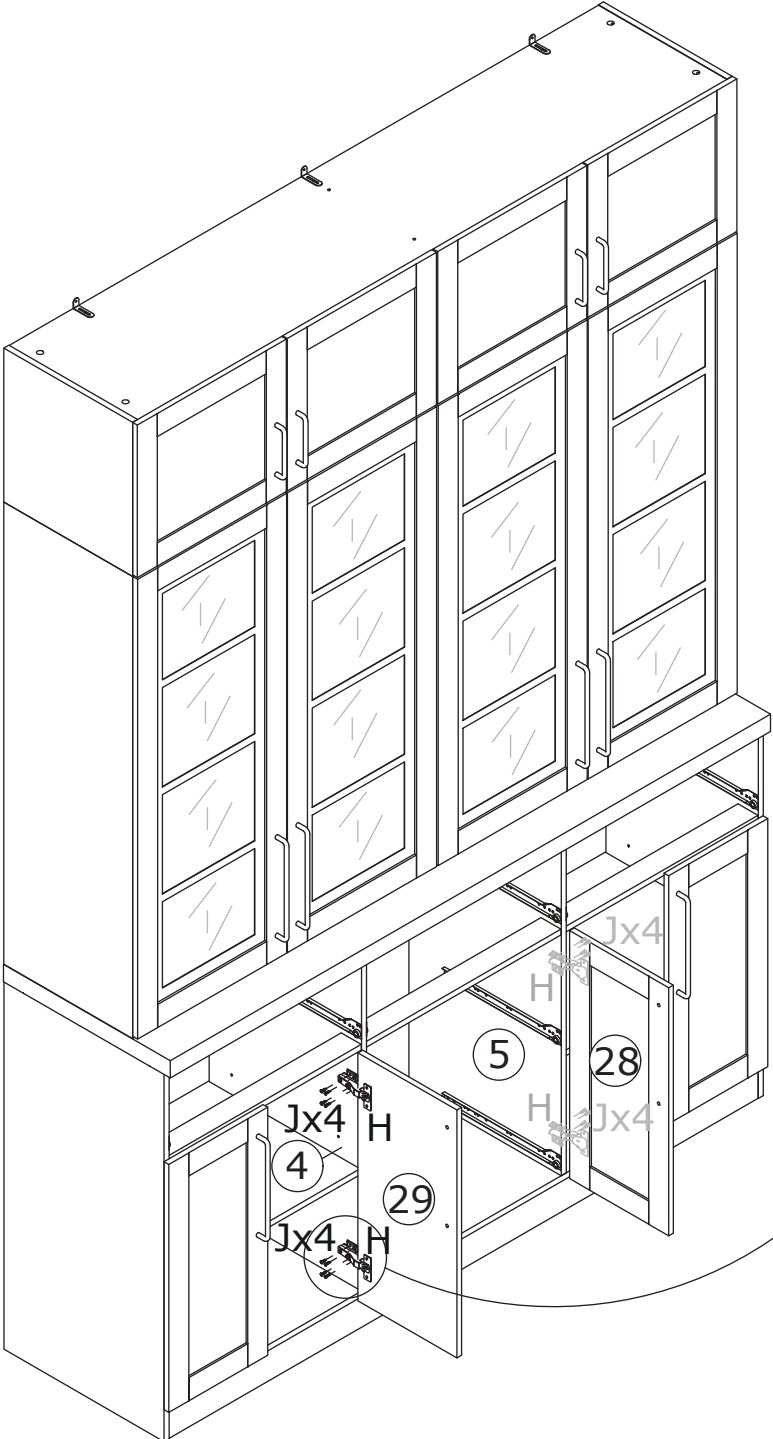
Secure hinge (H) to panel 28 and 29 using screw (J).



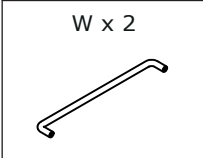
61



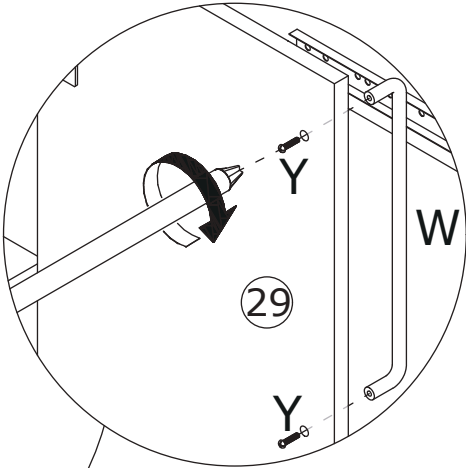
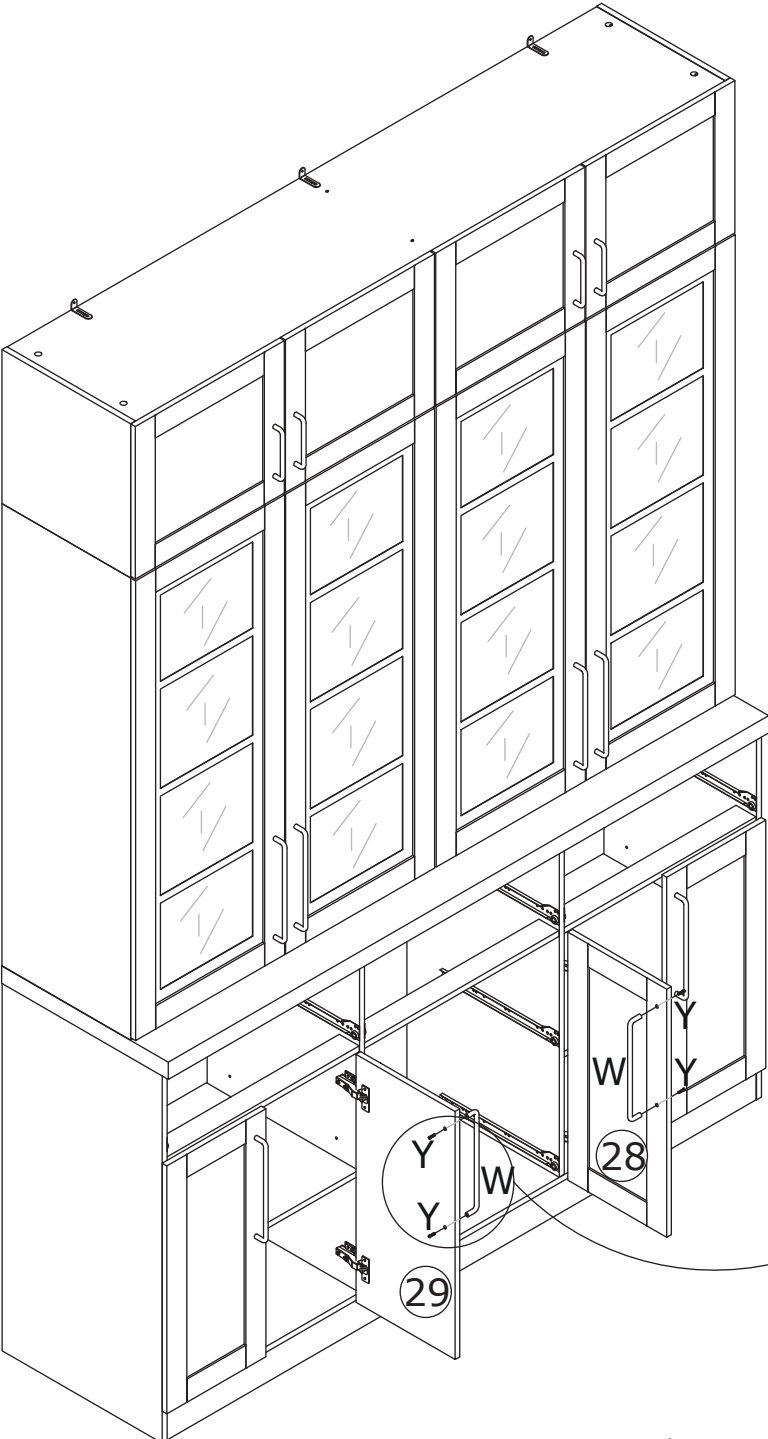
Connect panel 29 and 28 to panel 4 and 5 by securing hinges using screws (J).



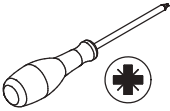
62



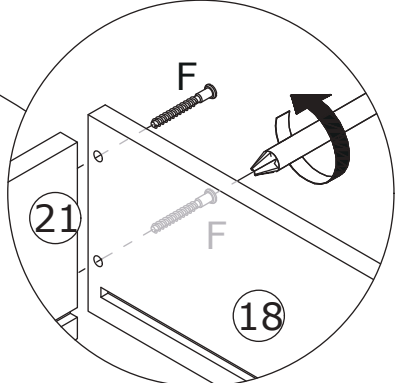
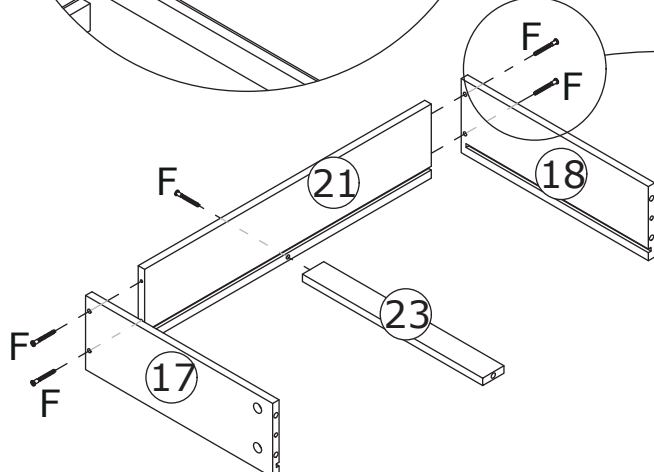
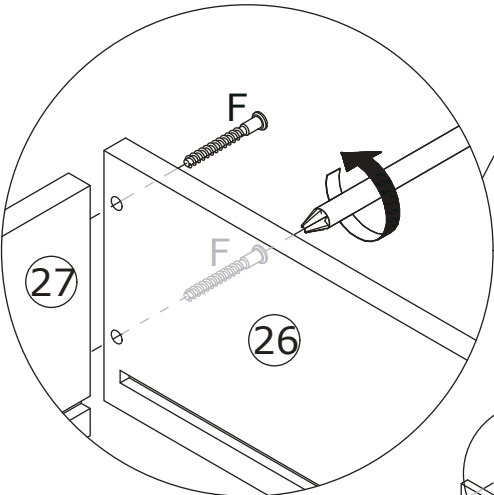
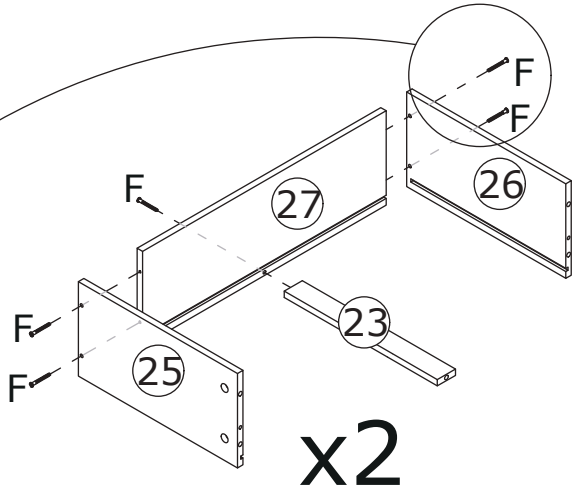
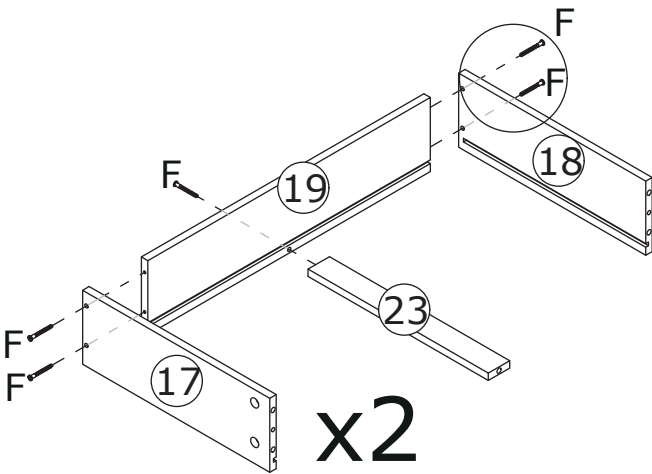
Secure handle (W) to panel 28 and 29 using screw (Y).



63

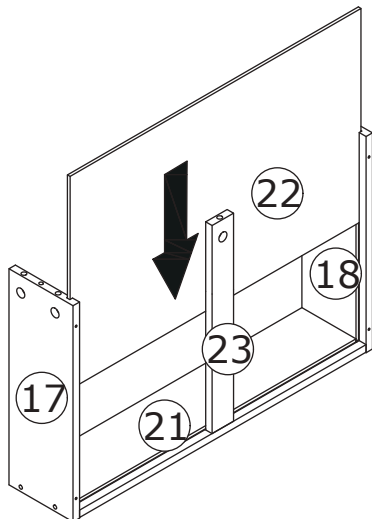
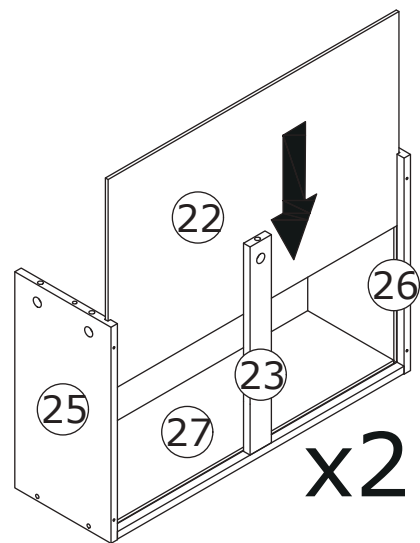
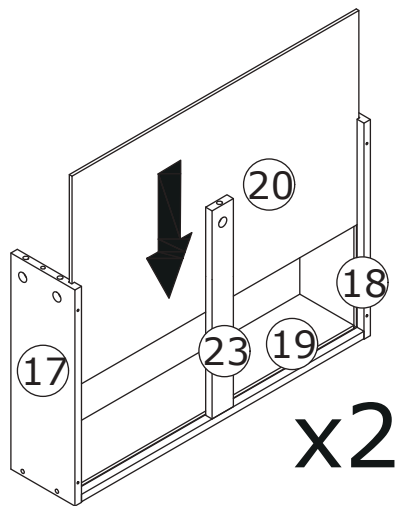


Connect panel 19 to panel 17, 23, and 18 using screw (F).
Connect panel 27 to panel 25, 23, and 26 using screw (F).
Connect panel 21 to panel 17, 23, and 18 using screw (F).



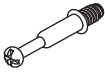
64

Insert panel 20 and 22 along the available slots.



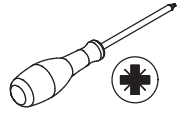
65

B x 25

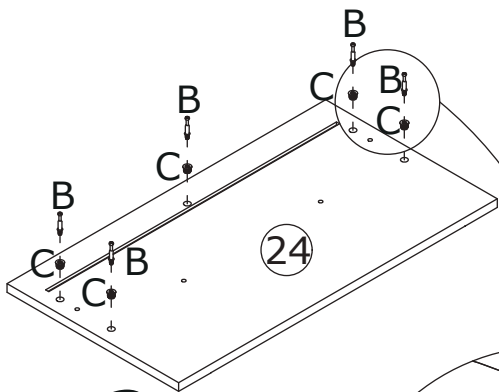
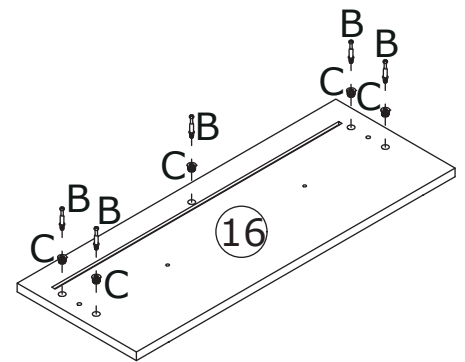
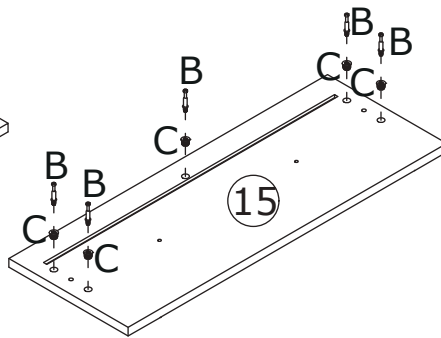
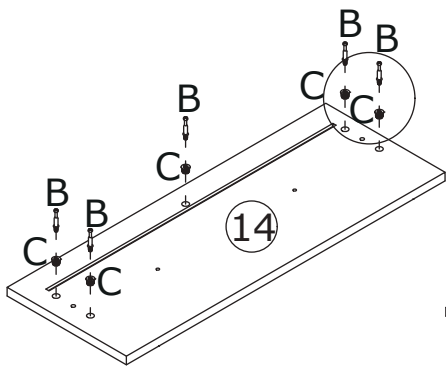
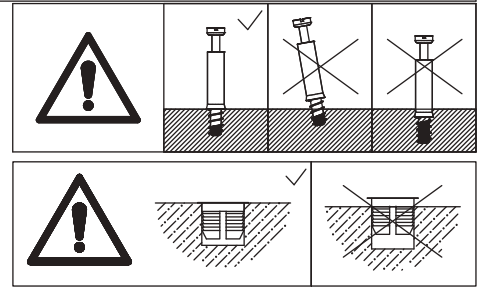


CRA0635B

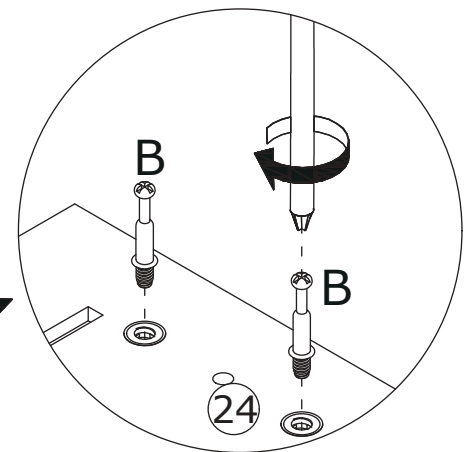
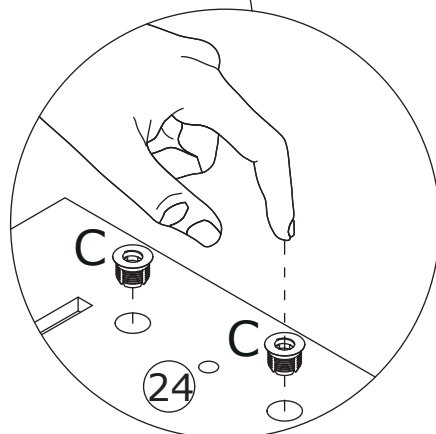
C x 25



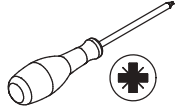
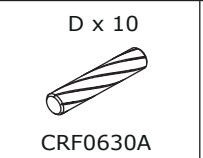
Insert plug (C) into panel 14, 15, 16, and 24, then screw self-tapping rod (B) onto.



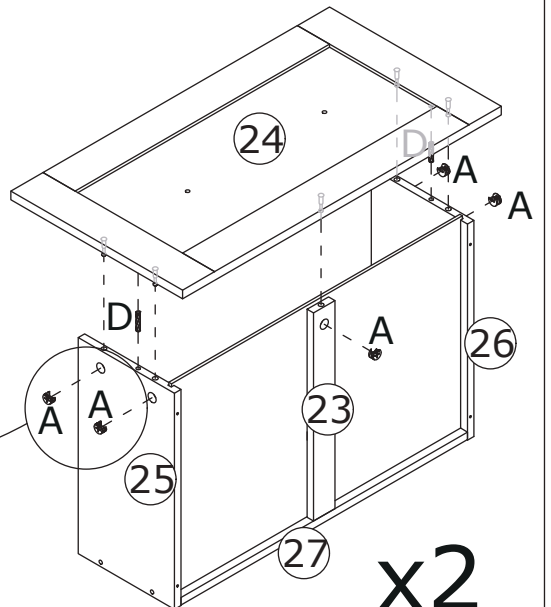
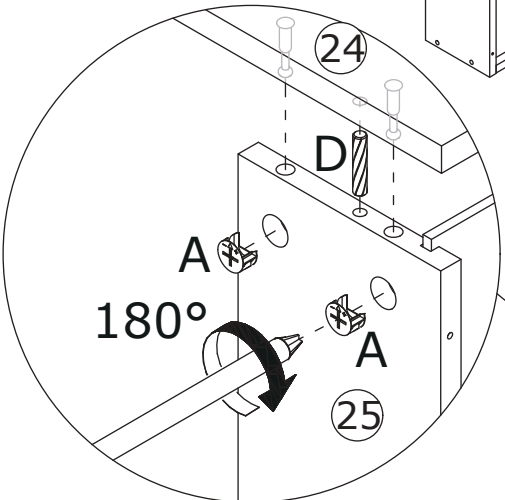
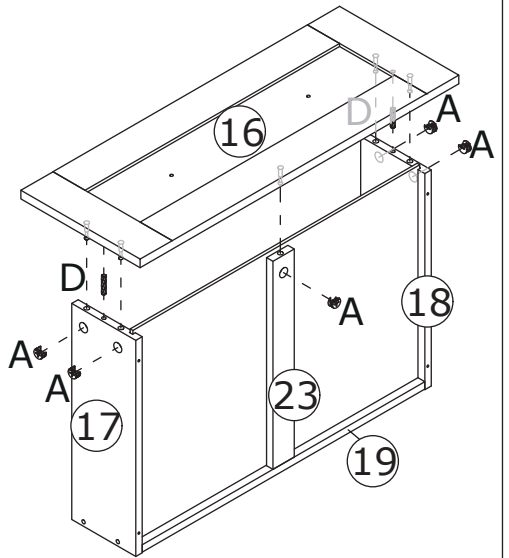
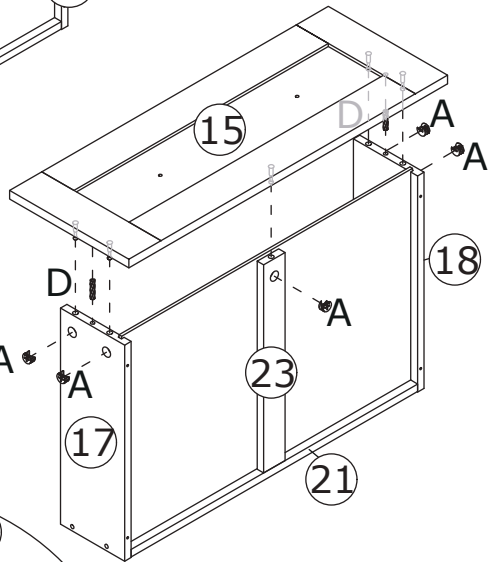
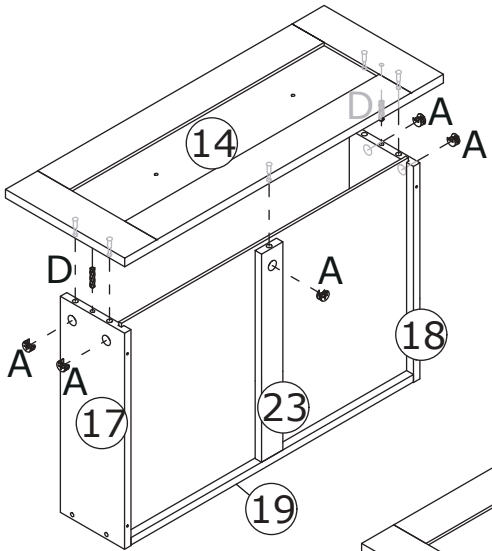
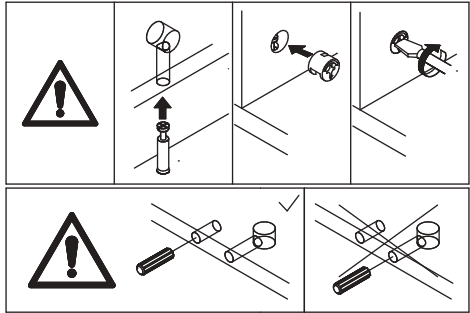
x2



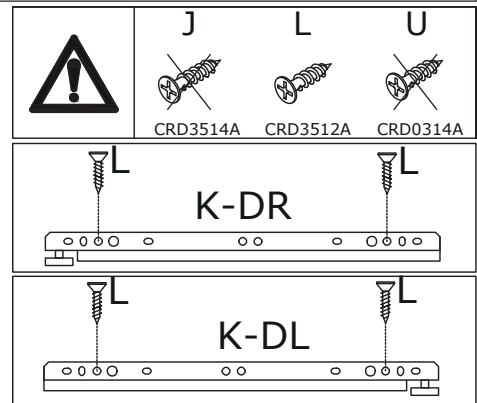
66



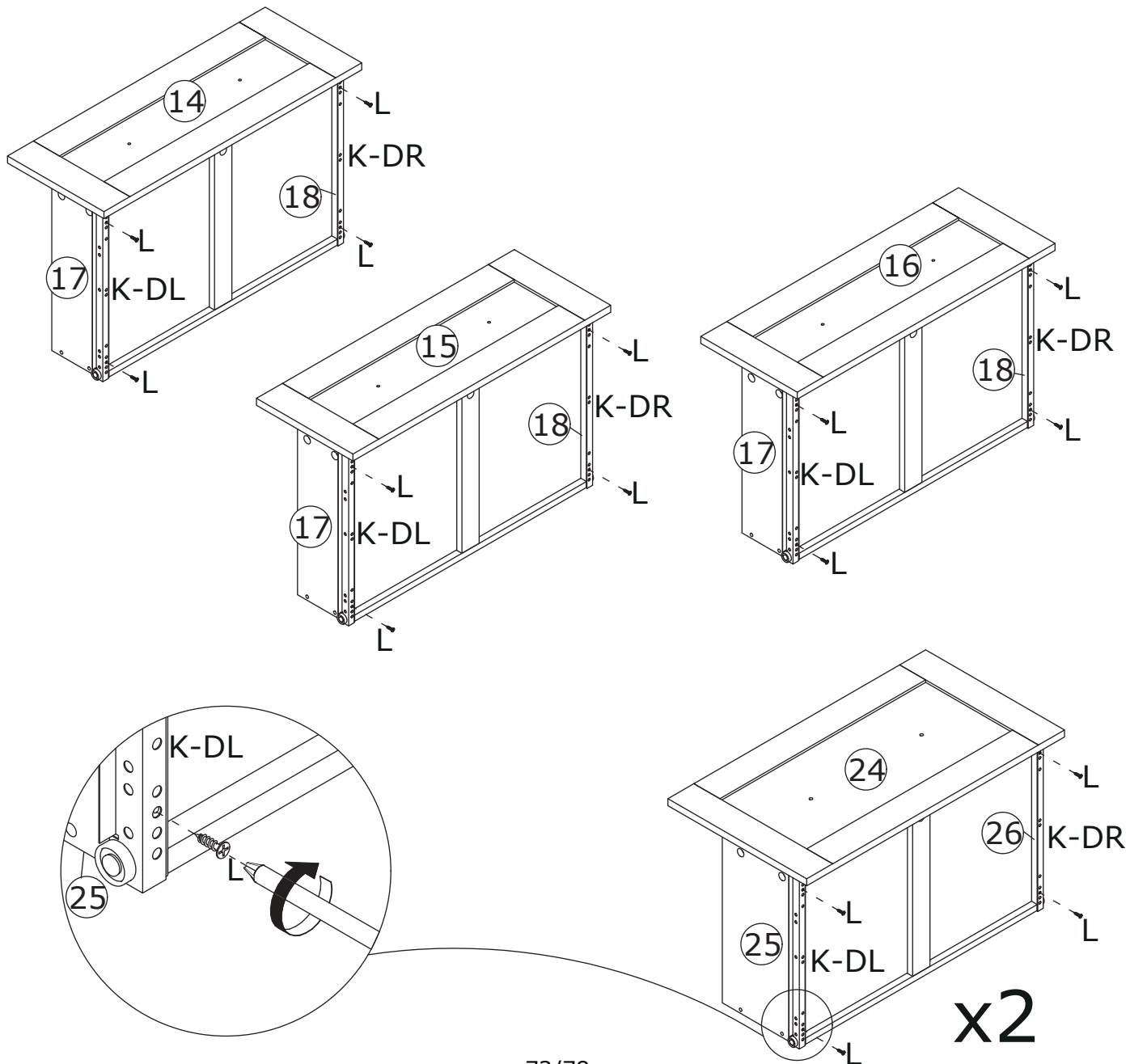
Connect panel 14, 15, and 16 to panels 17, 18, and 23 using dowel (D), then tighten by turning eccentric wheel (A) clockwise.
Connect panel 24 to panels 25, 23, and 26 using dowel (D), then tighten by turning eccentric wheel (A) clockwise.



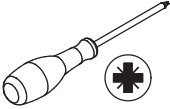
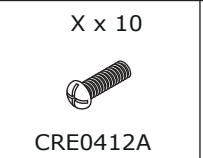
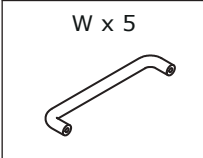
67



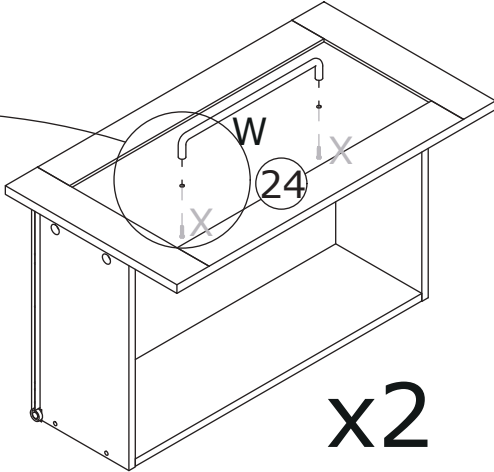
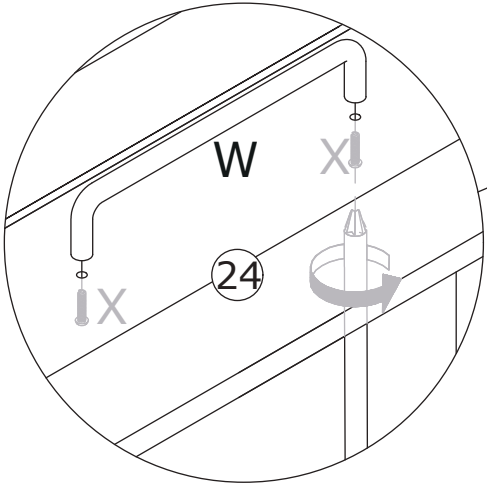
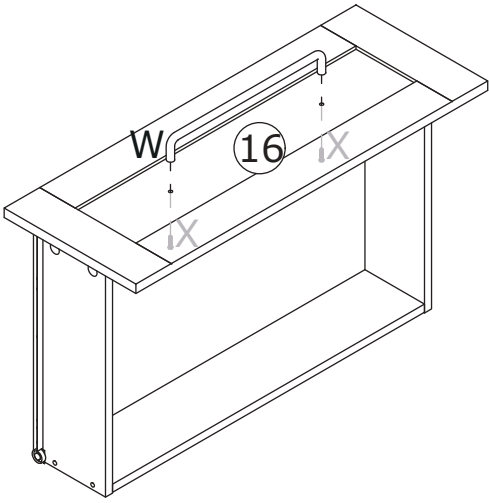
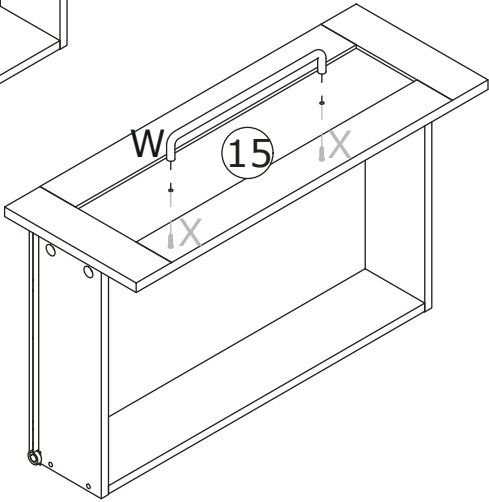
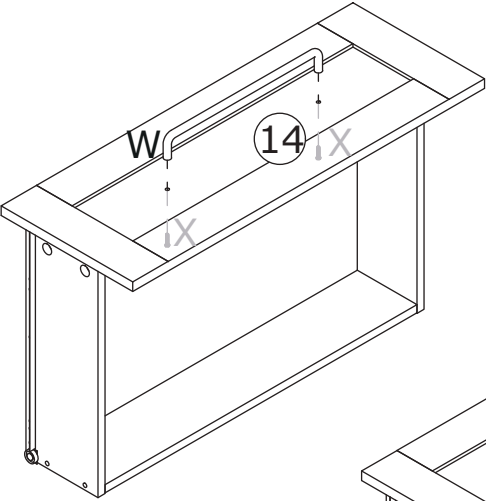
Secure slide rail (K-DL) to panel 17 and 25 using screw (L).
Secure slide rail (K-DR) to panel 18 and 26 using screw (L).



68

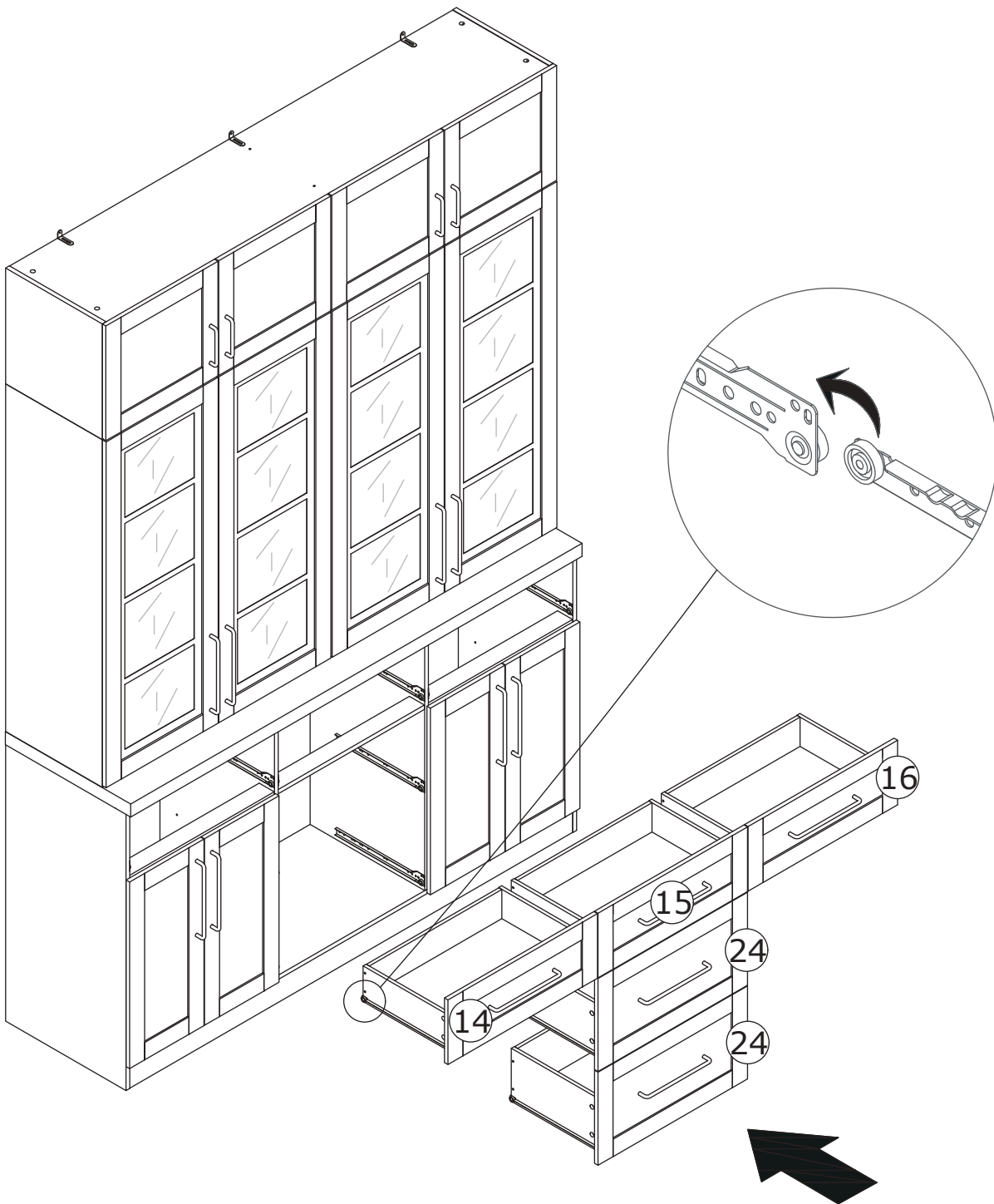


Secure handle (W) to panel 14, 15, 16, and 24 using screw (X).



69

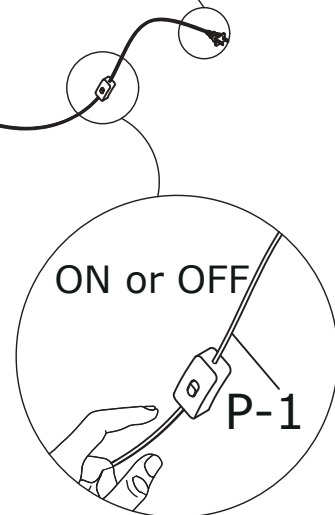
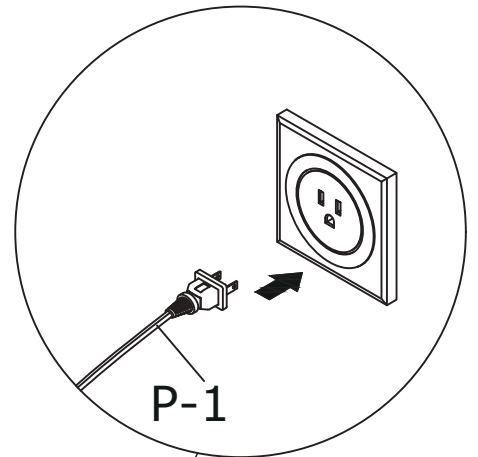
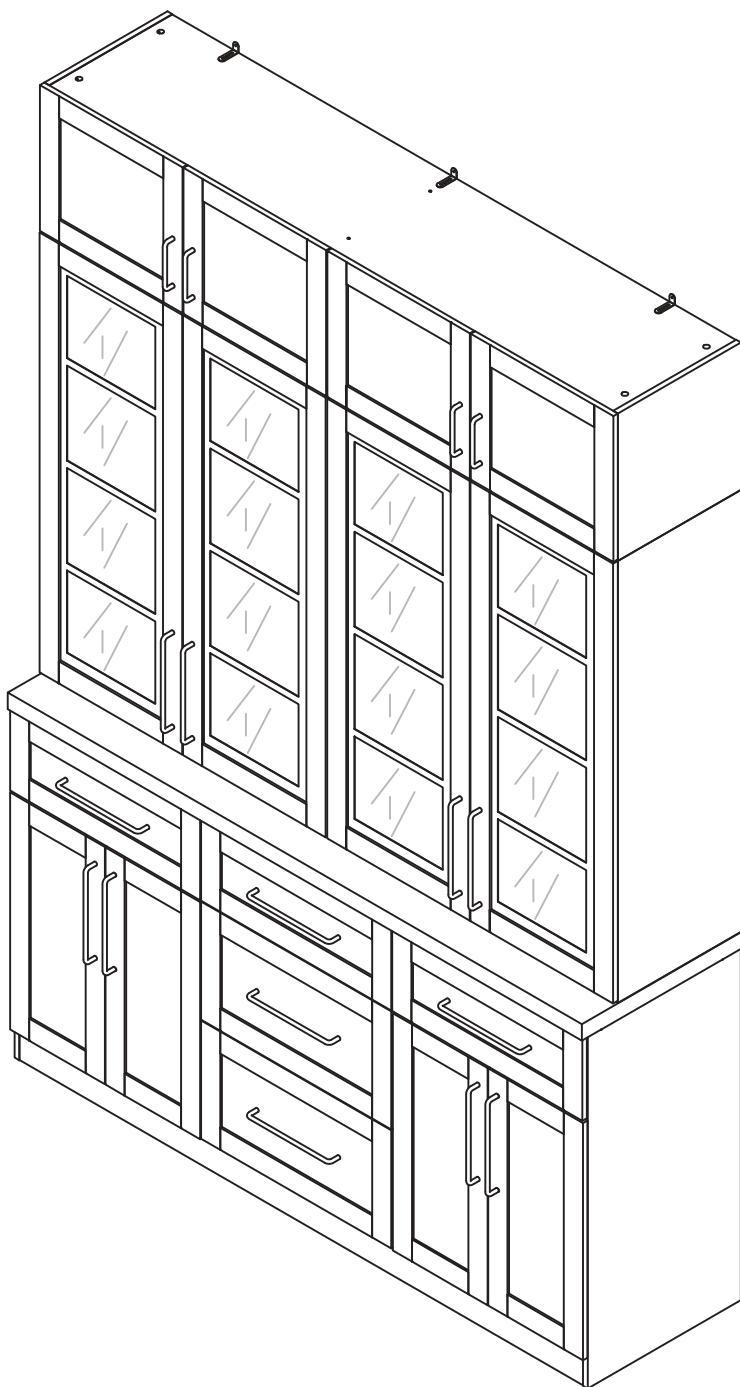
Install the drawers as shown.



70

Option A

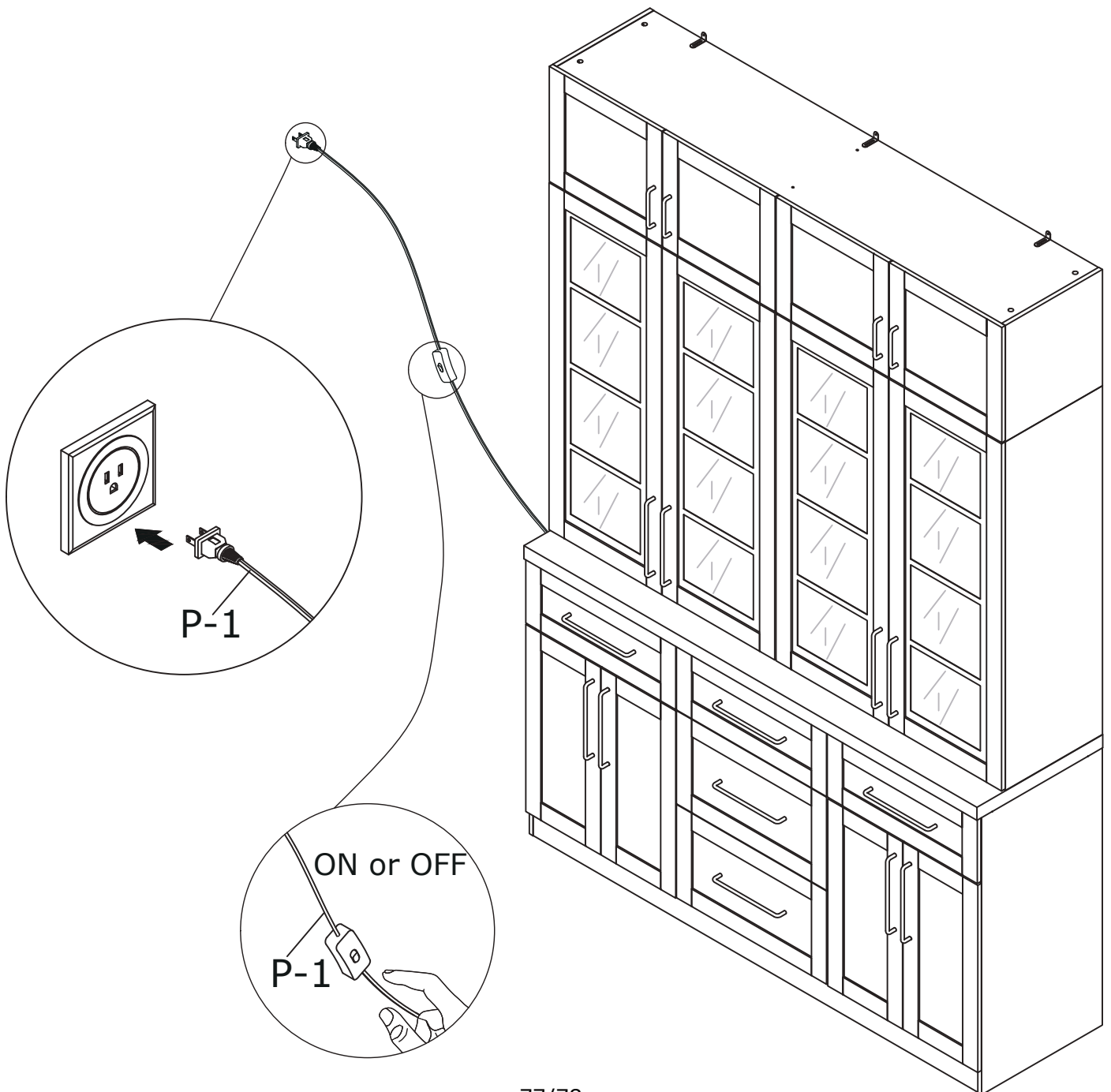
First connect the power supply, then turn on the spotlight (P) switch.

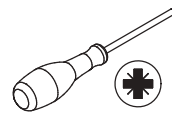


71

Option B

First connect the power supply, then turn on the spotlight (P) switch.

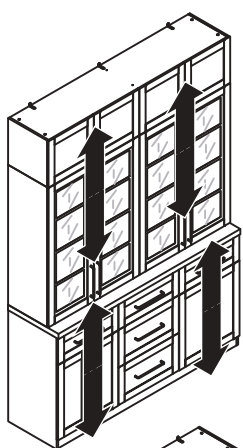
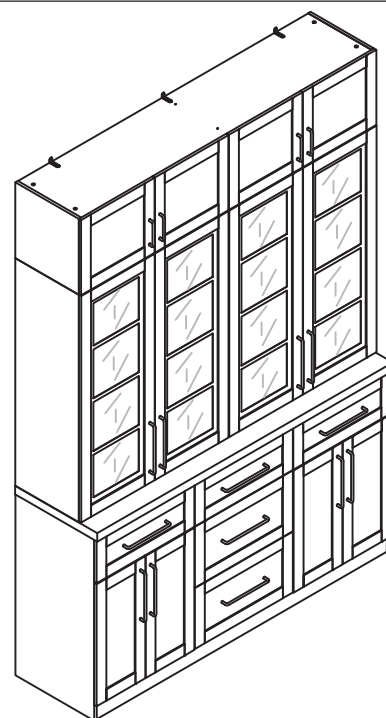




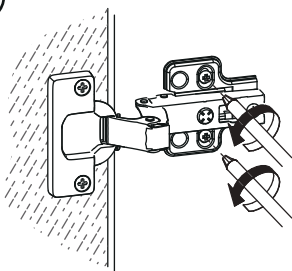
If doors are still not aligned if the hinges are properly correctly, please watch the video.

<https://youtu.be/n0Lb36SoODM>

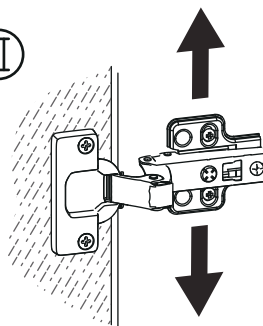
If there is misalignment after you install, adjust the screw to the best condition



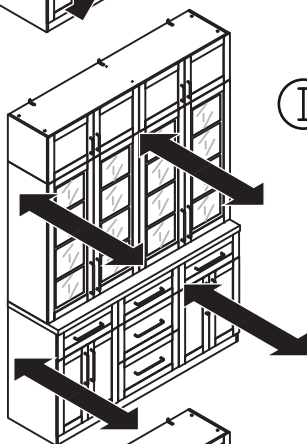
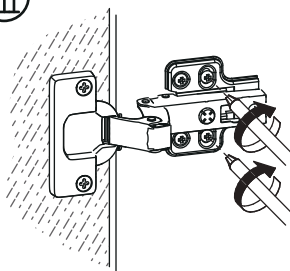
I



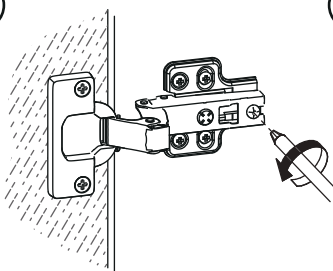
II



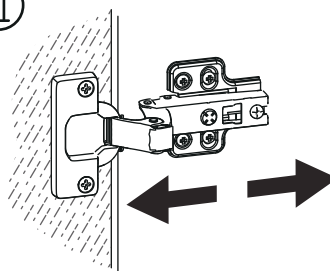
III



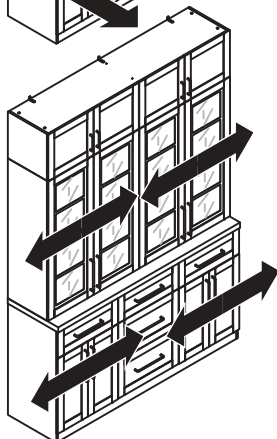
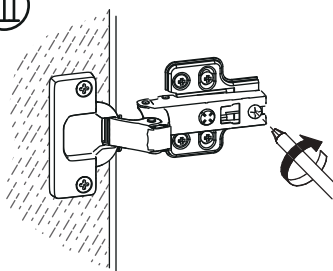
I



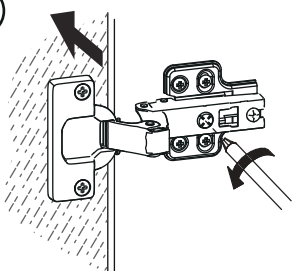
II



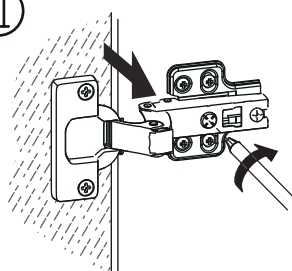
III



I



II



WARRANTY

WARRANTY CLAIMS

- There is a 30-day warranty for broken furniture or any other problems that do not work properly. The warranty will start from the date of purchase which must be verified by proof of purchase.
- Before making a claim, we may be able to answer your query, simply call us. Please leave your purchase order number, along with some details of the problem, if you want a replacement part. We will arrange within 48 hours. If there is out of stock, we will reply with a shipping date.
- The product must be used in accordance with the instructions provided. For health reasons.
- For other reasons, if the furniture needs to be returned, it must be cleaned and dried and operated within 30 days of receipt.

Type of Warranty Claim

- Failure to follow the furniture instructions will invalidate the warranty. Attention please.
- Does not include damage during installation, but includes damage during transportation.

Scope of responsibility

- Shall not bear any responsibility for misuse or user damage and / or loss of parts during the installation of furniture.
- After using, the damage and scratches of the furniture are not covered by the warranty.

The Warranty Relates to All Bought in The Us and Covers The Following Areas

- Sheet parts: 1 month from the date of purchase.
- Electrical parts: 1 month from the date of purchase.

RETURNS

CHANGED YOUR MIND AND NEED TO RETURN YOU ITEM?

PLEASE FOLLOW THE BELOW INSTRUCTIONS:

- If you have purchased and have simply changed your mind, follow the retailer's instructions for returns.

DEFECTIVE ITEMS

- If your item is defective in any way, i.e. it doesn't work but you can't identify why, in the first instance, please call us.

DAMAGED ITEMS

- If you receive an order with obvious shipping damage from the retailer, then we suggest the delivery is refused. If the delivery has been accepted and then shipping damage is found, please follow the specific instructions advised by the retailer.
In all circumstances please save all packaging material and paperwork for the order. Please be aware that if you dispose of packaging material or attempt to return the merchandise without contacting the fulfiller, you jeopardise your chances of making a claim, and you may not receive a credit for the return.

AFTER-SALES CONTACT



adelahu@fufugaga.com



208-820-0068