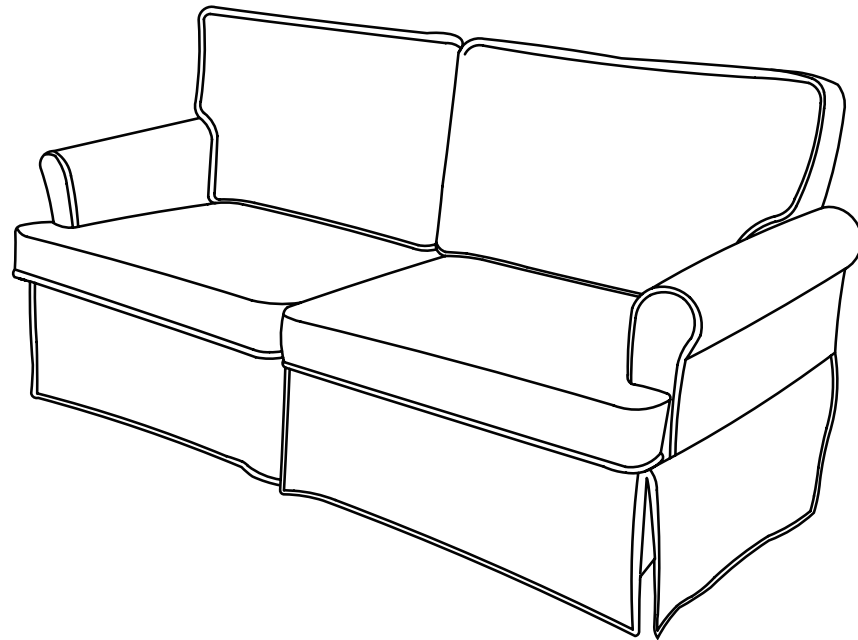


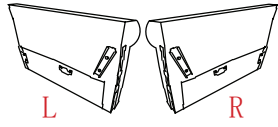
1

Enjoy your new apartment sofa.



## PARTS AND HARDWARE

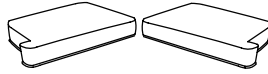
Avoid using sharp objects such as a knife to cut open packaging may accidentally damage the upholstery.



A. Arms  
2x



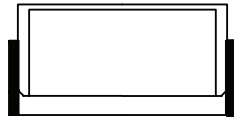
B. Back Cushions  
2x



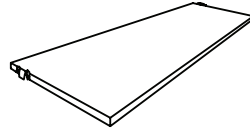
C. Seat Cushions  
2x



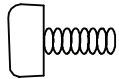
D. Front Rail  
1x



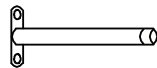
E. Backrest  
1x



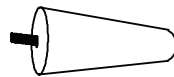
F. Seat Deck  
1x



G. Hand Threaded Bolt  
2x



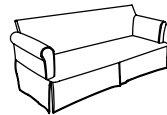
H. Center Support Leg  
1x



I. Legs  
4x



J. Plastic Washer  
4x

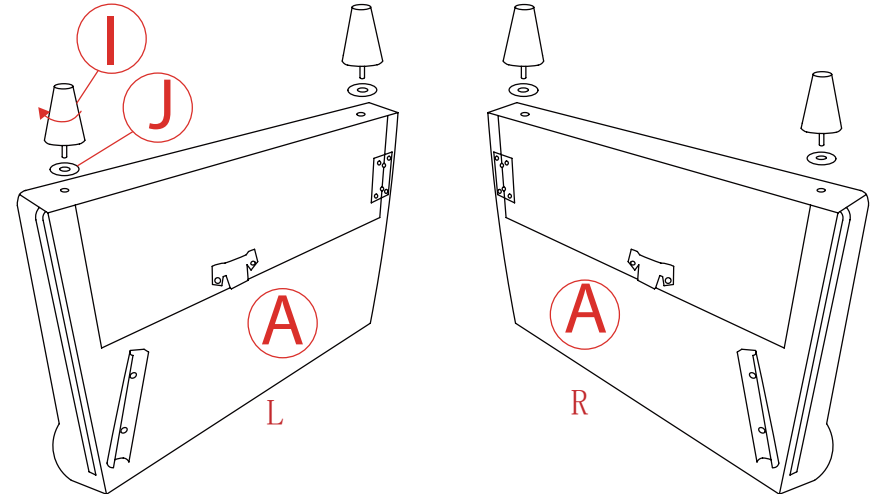


K. Sofa Cover  
1x

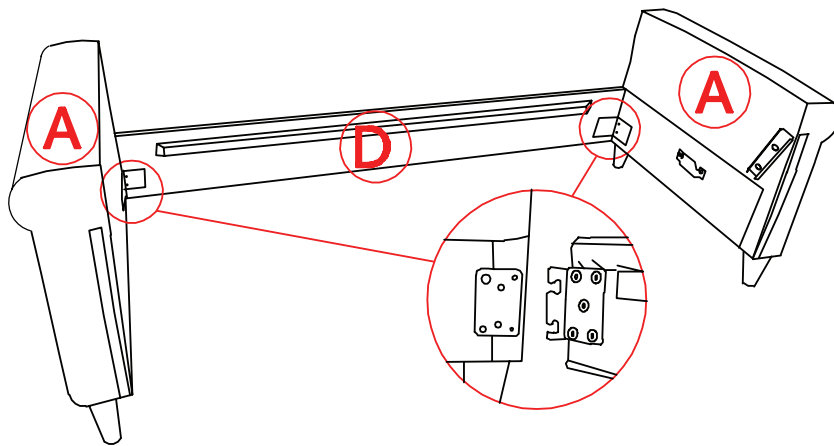
## ASSEMBLY INSTRUCTIONS

Do not fully tighten bolts until assembly is complete.

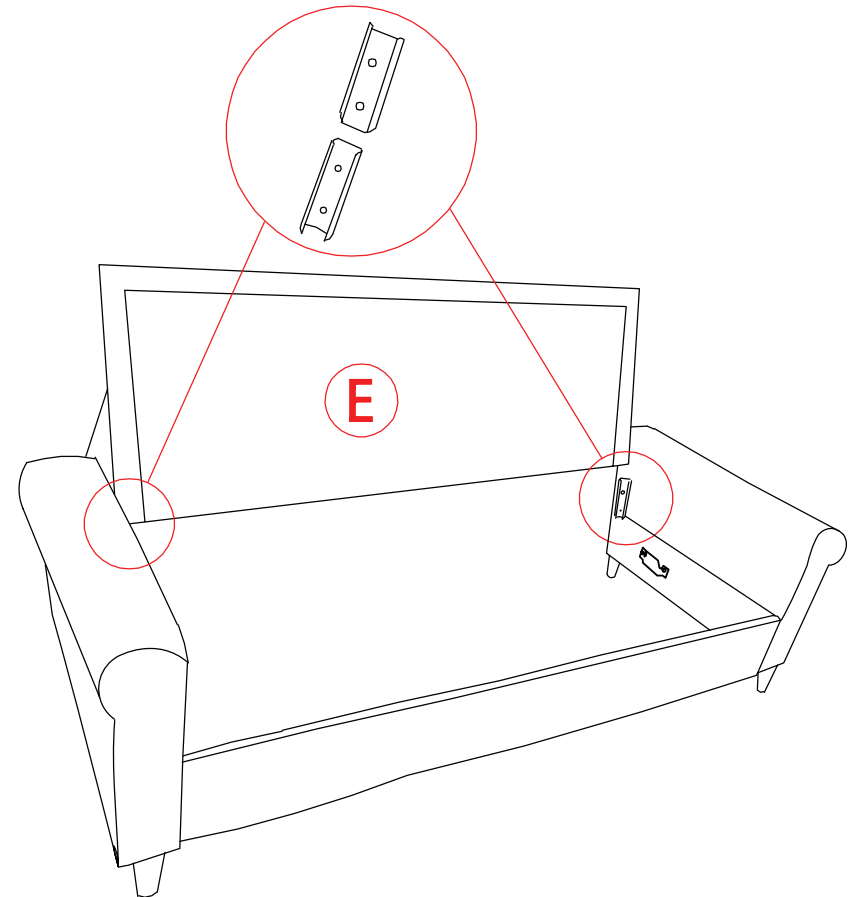
- 2** Attach Plastic Washer (J) to threaded post on Legs (I). Then, attach Legs (I) to Arms (A) by inserting the threaded post into the insert nut and hand turning until tight.



- 3** Attach the Front Rail (D) to Arms (A) by slipping the bracket opening over the fixed post, then press down to click in place.

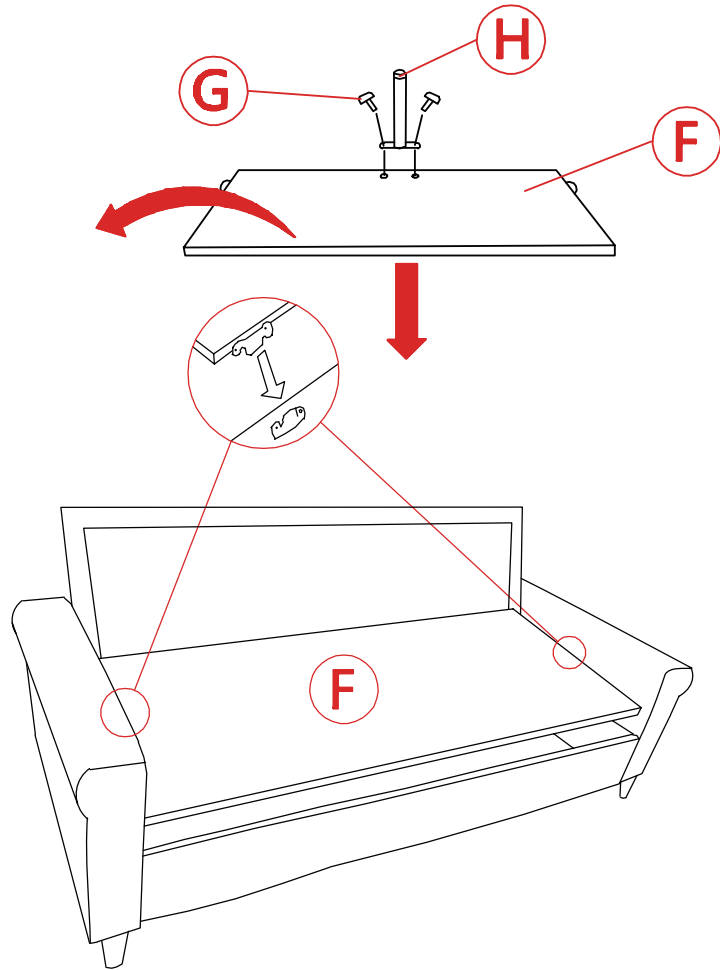


- 4** Attach Backrest (E) to Arms (A) by sliding the brackets on the Backrest (E) into the glides on the Arms (A).



- 5** Flip Seat Deck (F) over. Attach the Center Support Leg (H) to Seat Deck (F) using Hand Threaded Bolt (G).

Once the Center Support Leg (H) is attached to the Seat Deck (F), flip over the Seat Deck (F). Then, attach the Seat Deck (F) to the Arms (A) by placing the two metal brackets on the Seat Deck (F) over the metal brackets located on each Arm (A). The Seat Deck (F) will lock into place.



- 6** Attach Sofa Frame Cover (K) to assembled sofa frame. Then, place Seat Cushions (C) and Back Cushions (B) onto assembled sofa frame.

