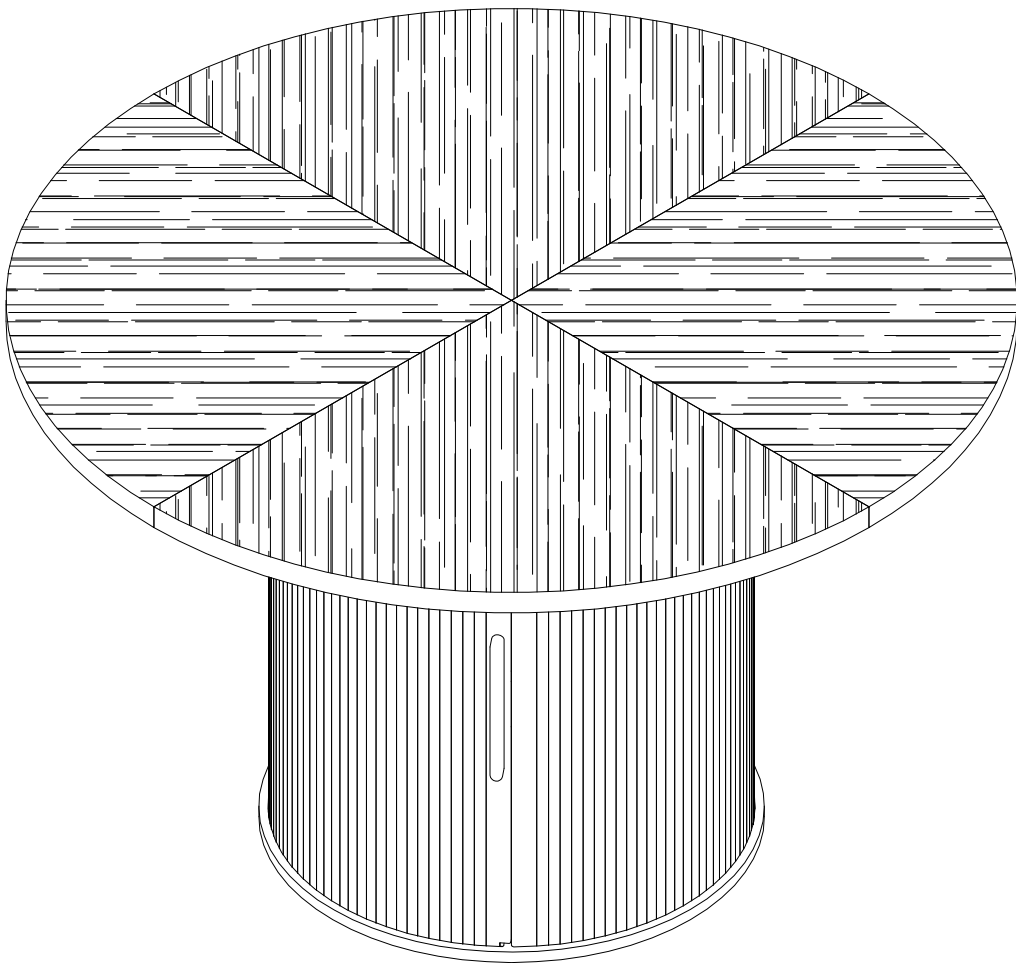


Assembly Instructions

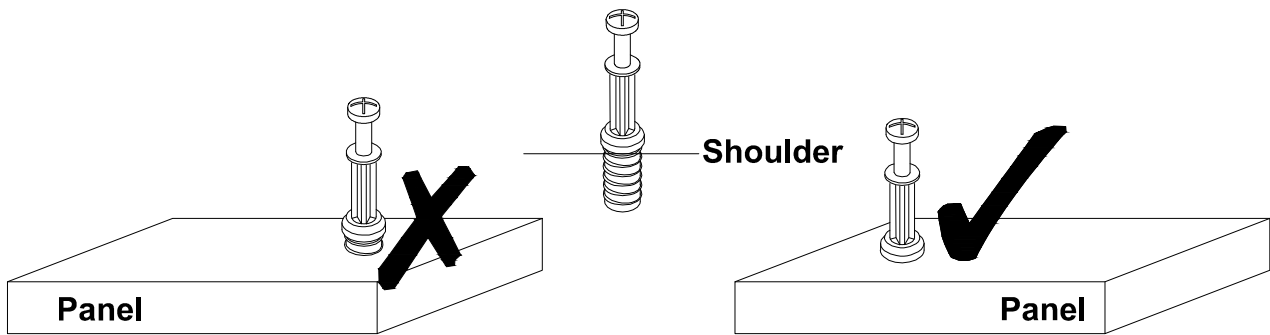


Before Assembly

Tips Before Your Start:

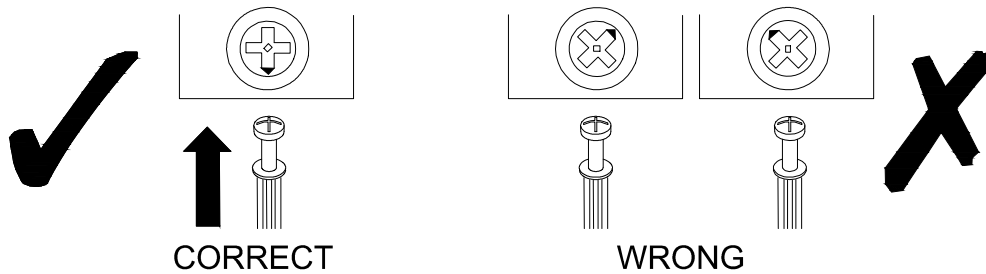
- Remove all wrapping material, including staples & packing straps before you start to assemble.
- DO NOT tighten all screws and bolts until the assembly is completely assembled.
- Keep all hardware parts out of reach of children.

QUICKFIT



Tighten quickfit until shoulder is flush with panel. Do not overtighten or undertighten.

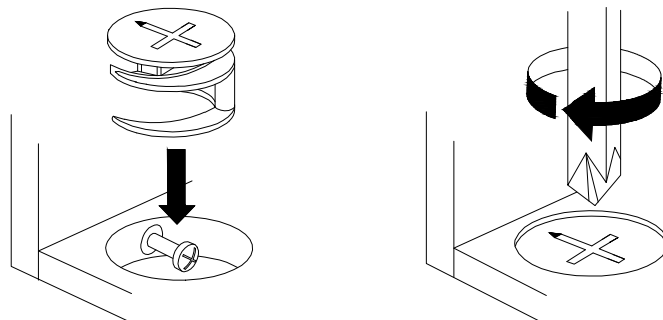
CAM LOCK



When fitting a cam lock, ensure the starting position is correct before inserting the connecting QUI CKFIT

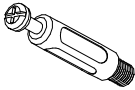


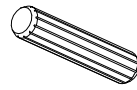



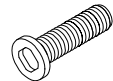
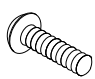
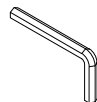
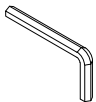
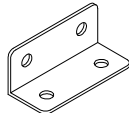

Quickfit head should be in the centre of the cam lock when the two panels are joined.

Cam lock should be inserted before quickfit.

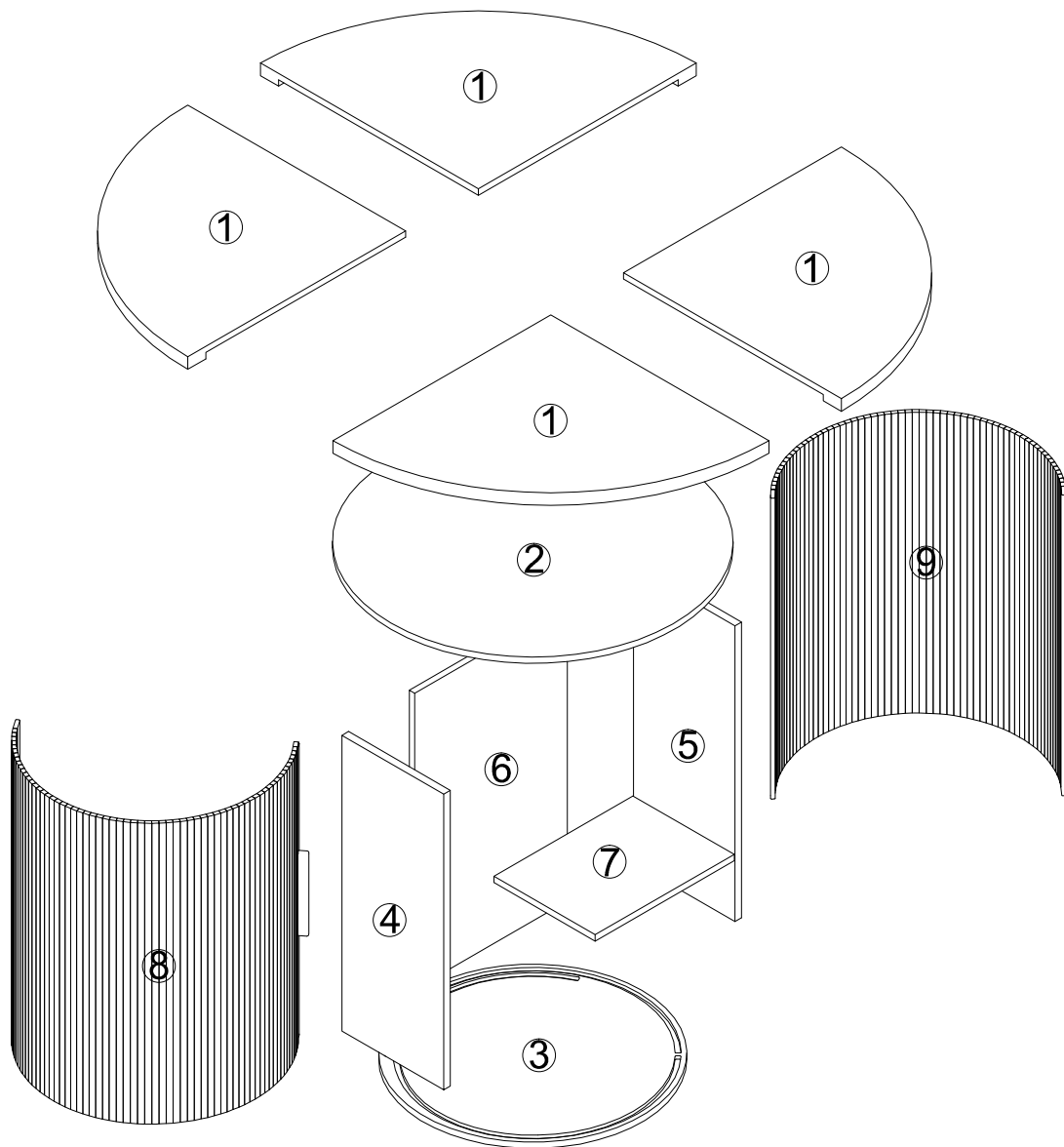


Turn cam lock clockwise to tighten.

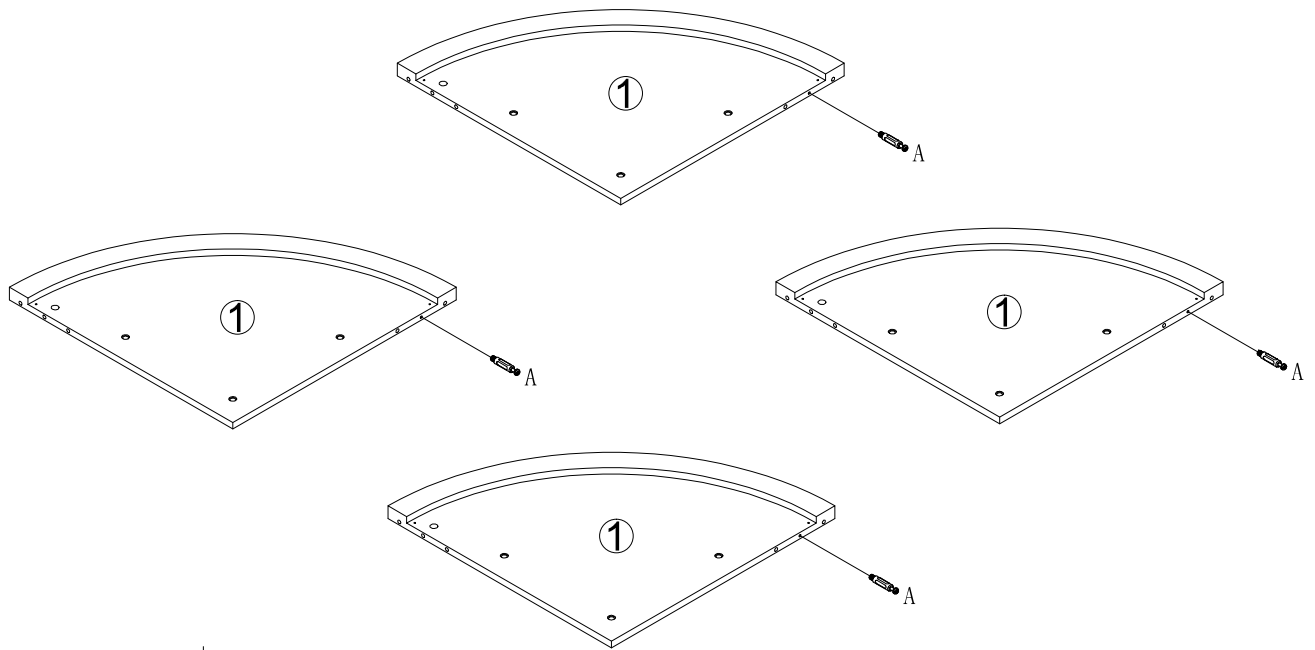
Part List

<p>No. A Quantity:10 Pcs Cam Lock Dowel 8*28mm</p> 	<p>No. B Quantity:10 Pcs Cam φ15</p> 	<p>No. C Quantity:10 Pcs Sticker Ø20</p> 	<p>No. D Quantity:28 Pcs Dowel 8*40mm</p> 
<p>No. E Quantity:1 Pcs Handle 200*20mm</p> 	<p>No. F Quantity:16 Pcs Screw M3.5*14mm</p> 	<p>No. G Quantity:16 Pcs Screw M6*40mm</p> 	<p>No. H Quantity:12 Pcs Screw M8*20mm</p> 
<p>No. I Quantity:2 Pcs Screw M4*14mm</p> 	<p>No. J Quantity:1 Pcs Allen Key 4#</p> 	<p>No. K Quantity:1 Pcs Allen Key 5#</p> 	<p>No. L Quantity:4 Pcs L Shape Part</p> 
<p>No. M Quantity:6 Pcs Foot Pad Ø20</p> 			

Product structure



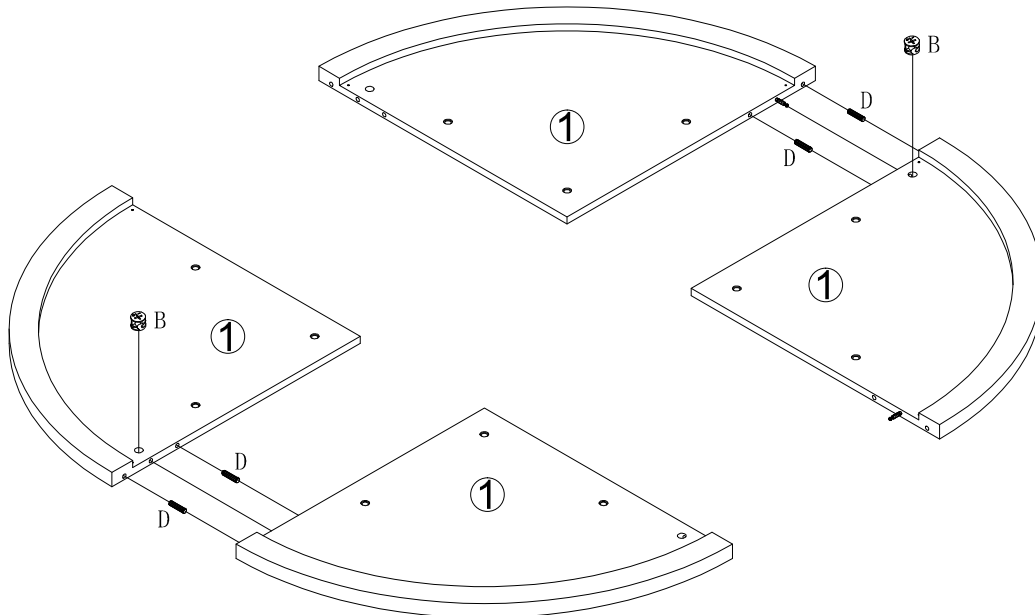
STEP 1



No. A
Quantity: 4 Pcs
8*28 mm



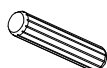
STEP 2



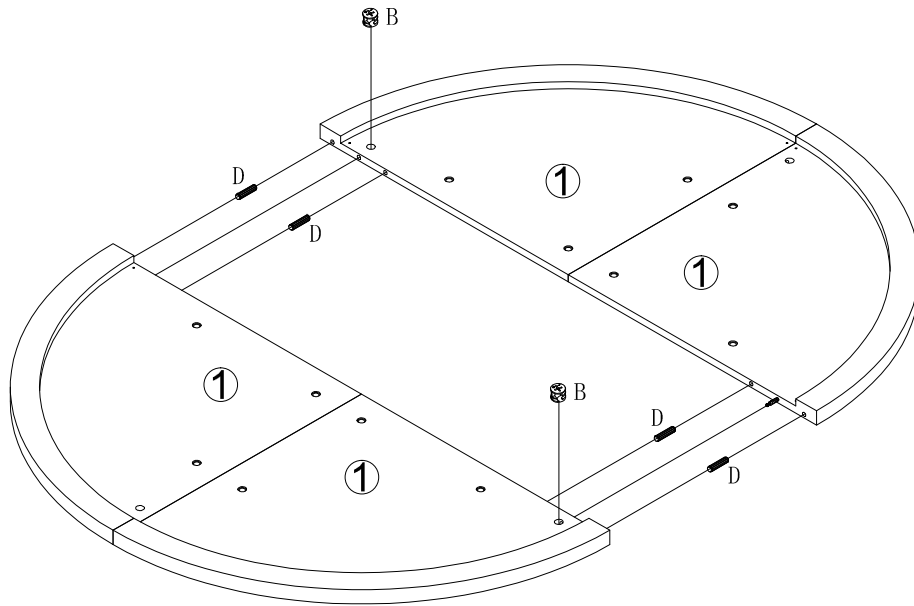
No. B
Quantity: 2 Pcs
Ø15



No. D
Quantity: 4 Pcs
8*40mm



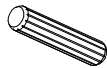
STEP 3



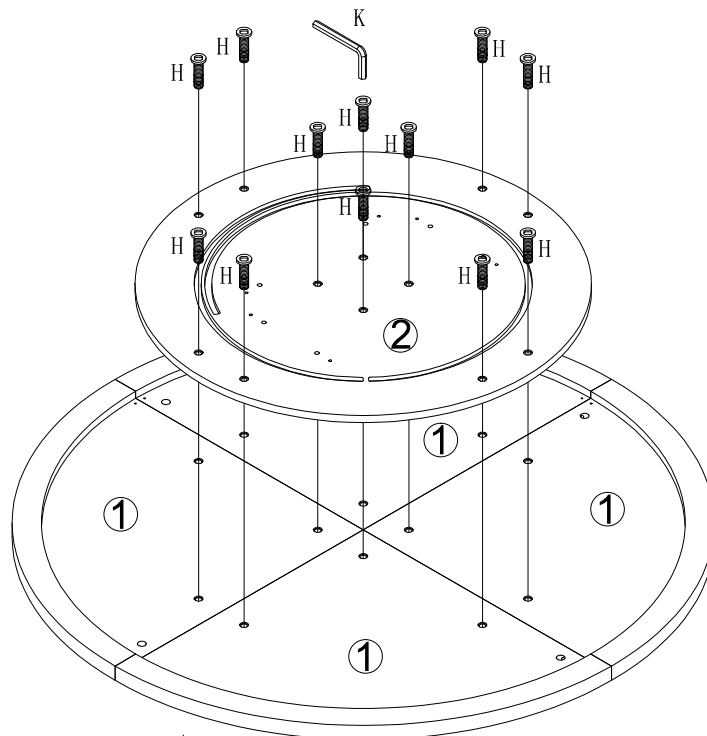
No. B
Quantity: 2 Pcs
Ø15



No. D
Quantity: 4 Pcs
8*40mm



STEP 4



No. H
Quantity: 12 Pcs
M8*20mm

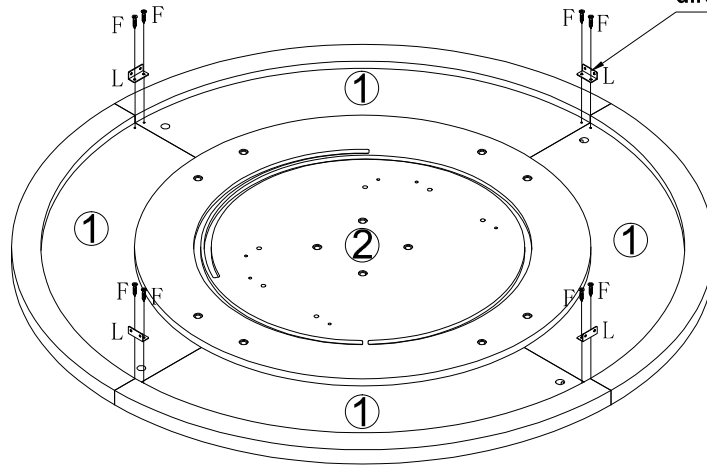


No. K
Quantity: 1 Pcs
5#



STEP 5

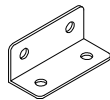
The L-shaped connector is first tightened at the front position with guide holes, and the side without guide holes can be directly secured with screws.



No. F
Quantity: 8 Pcs
M3.5*14mm

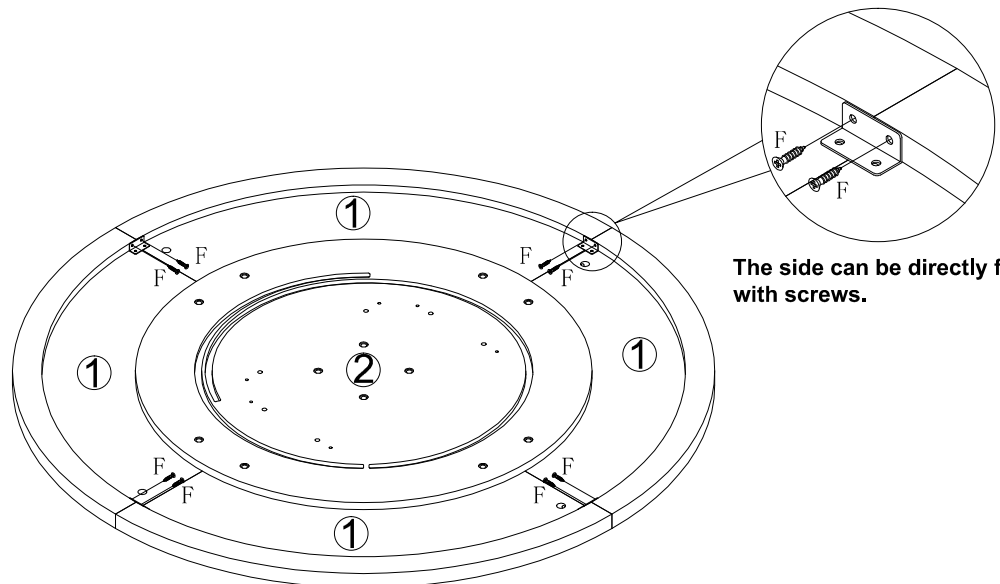


No. L
Quantity: 4 Pcs



STEP 6

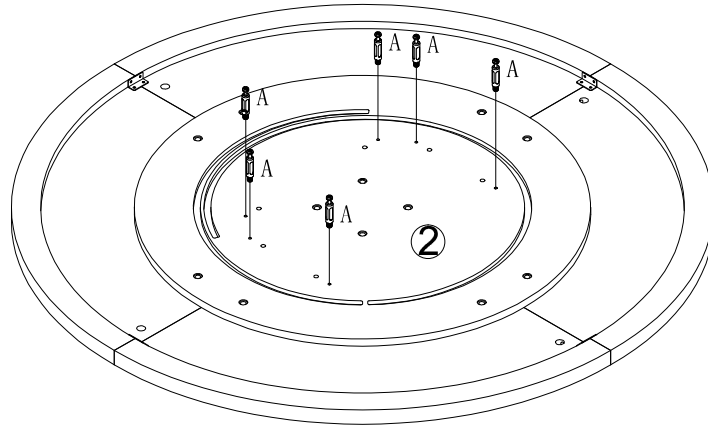
The side can be directly fixed with screws.



No. F
Quantity: 8 Pcs
M3.5*14mm



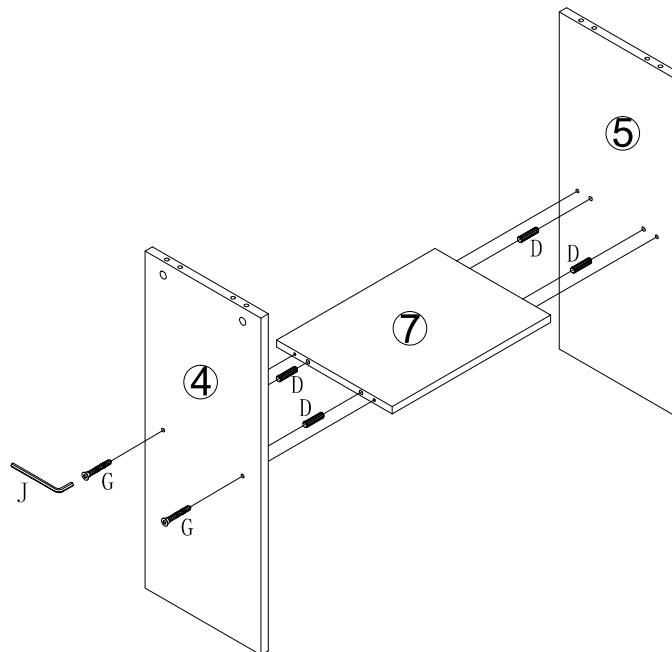
STEP 7



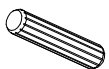
No. A
Quantity: 6 Pcs
8*28 mm



STEP 8



No. D
Quantity: 4 Pcs
8*40mm



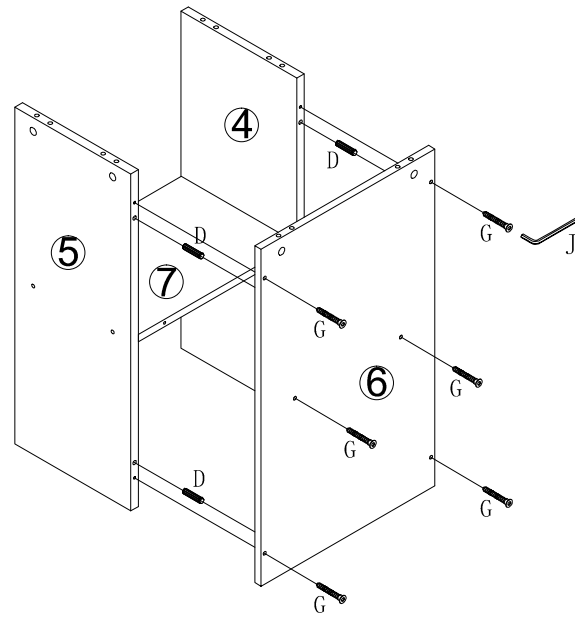
No. G
Quantity: 4 Pcs
M6*40mm



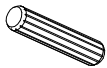
No. J
Quantity: 1 Pcs
4#



STEP 9



No. D
Quantity: 4 Pcs
8*40mm



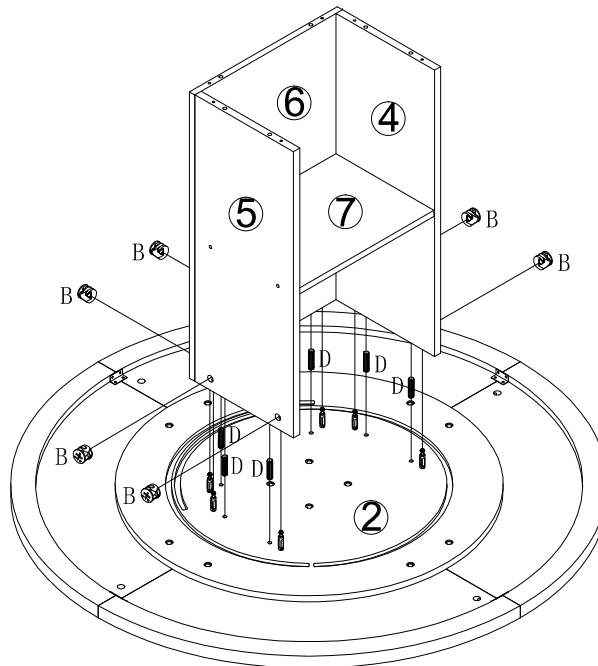
No. G
Quantity: 6 Pcs
M6*40mm



No. J
Quantity: 1 Pcs
4#



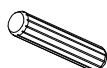
STEP 10



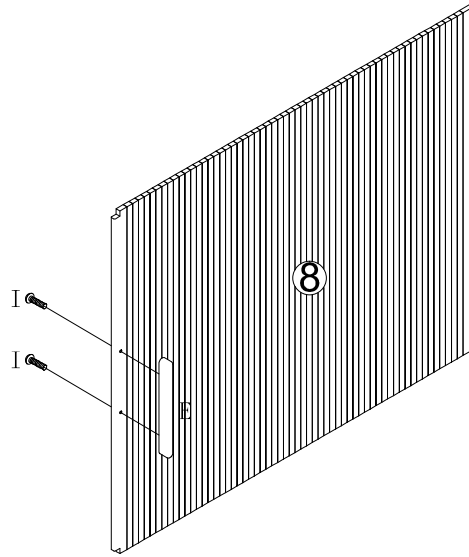
No. B
Quantity: 6 Pcs
Ø15



No. D
Quantity: 6 Pcs
8*40mm



STEP 11



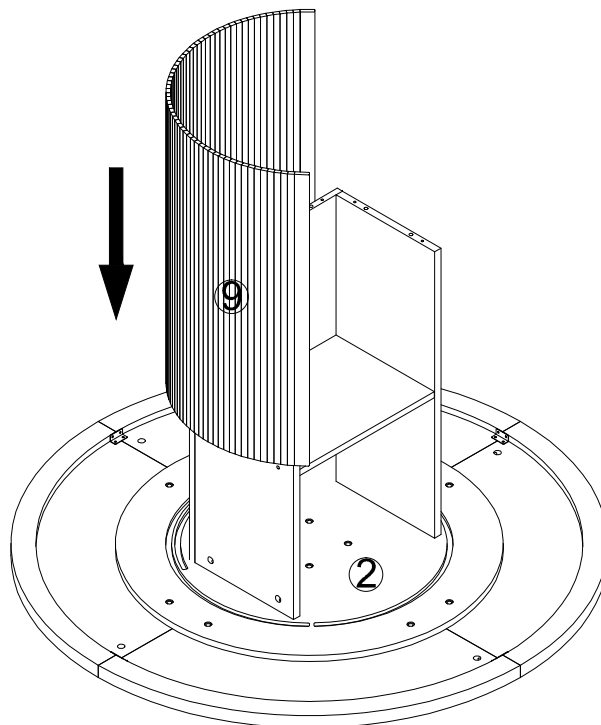
No. E
Quantity: 1 Pcs
200*20mm



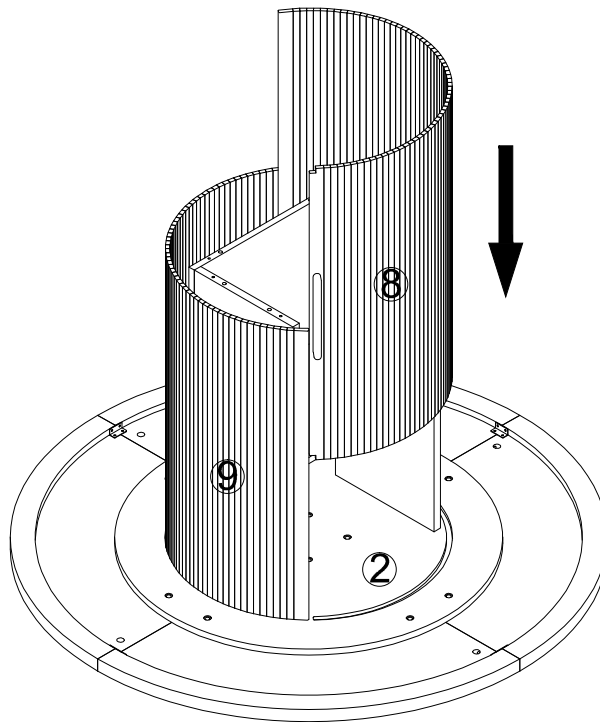
No. I
Quantity: 2 Pcs
M4*14mm



STEP 12

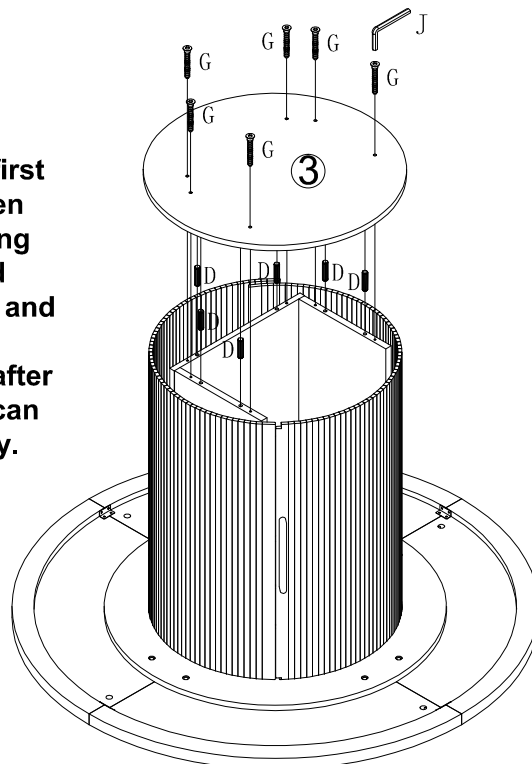


STEP 13

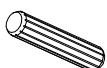


STEP 14

Note: When assembling here, first fix the screws but do not tighten them, first try whether the rolling door can be pushed and pulled smoothly, it cannot be pushed and pulled, you can gently pat it by hand, and then fix the screws after ensuring that the rolling door can be pushed and pulled smoothly.



No. D
Quantity: 6 Pcs
8*40mm



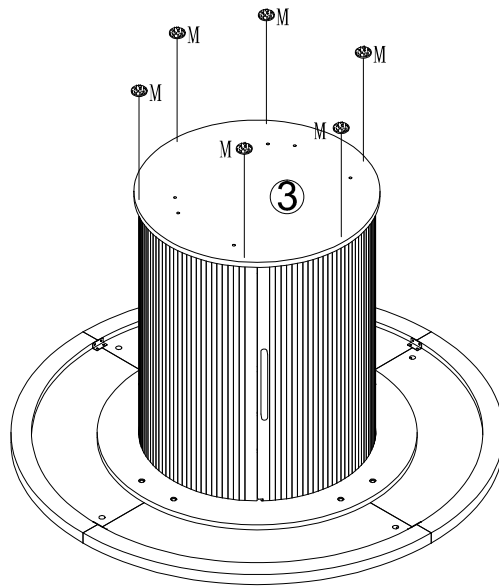
No. G
Quantity: 6 Pcs
M6*40mm



No. J
Quantity: 1 Pcs
4#



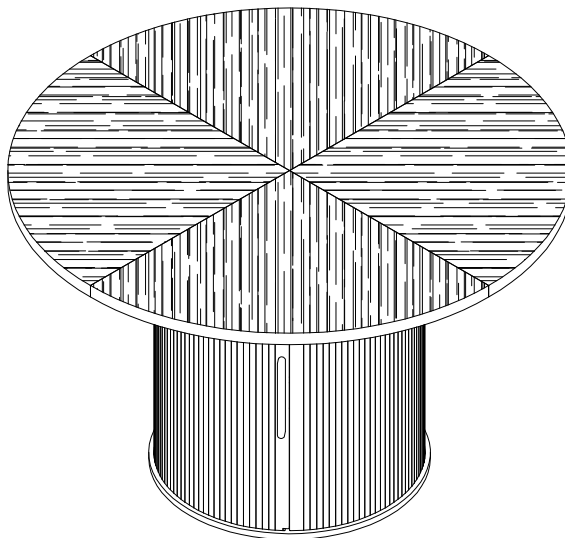
STEP 15



No. M
Quantity: 6 Pcs
Ø20



STEP 16



Attention Please

After the sliding door is installed, it may be difficult to open and close. After pushing it repeatedly, it will become smoother.