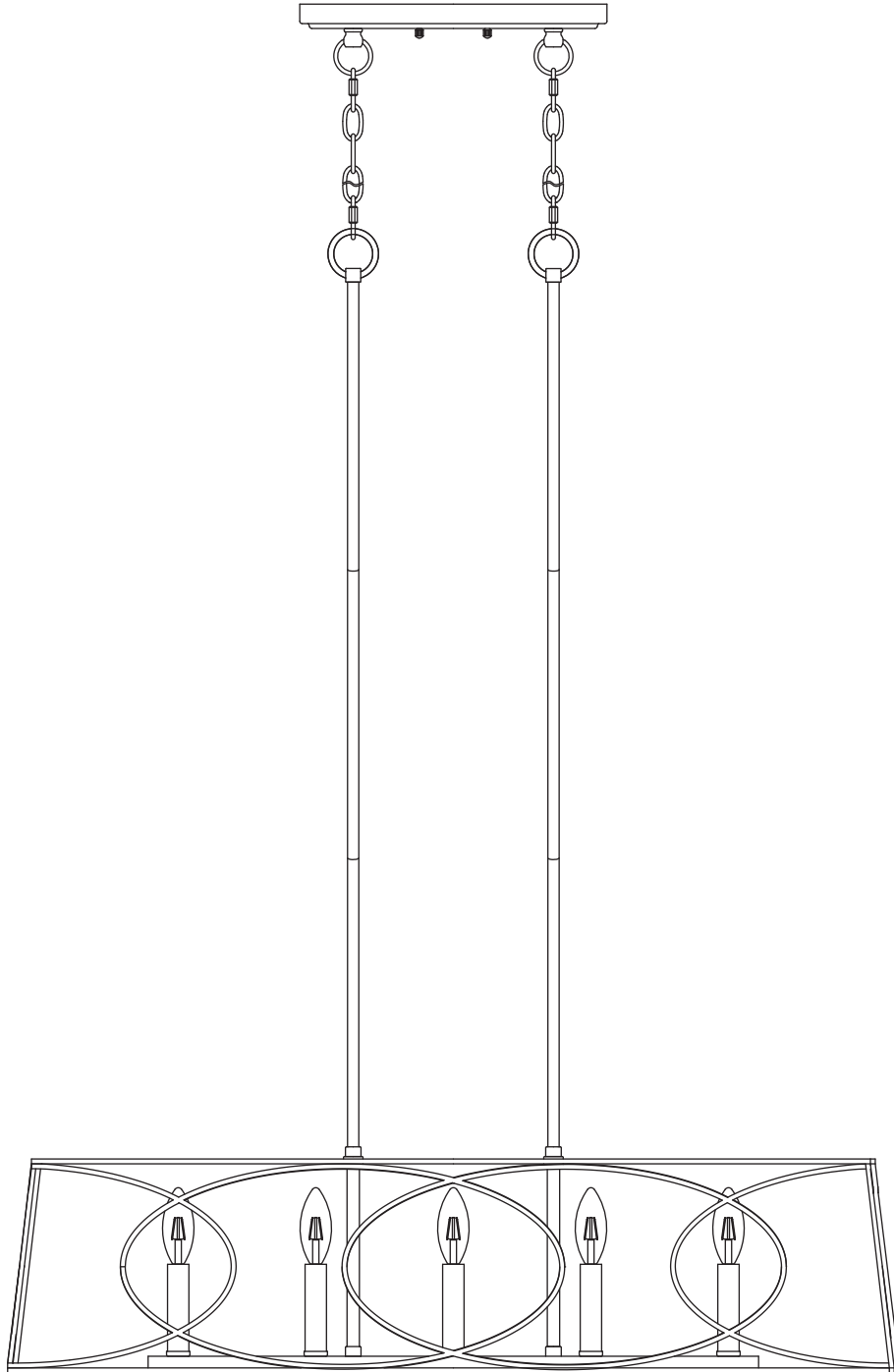


# Assembly Instructions



---

**5-Light Chandelier**

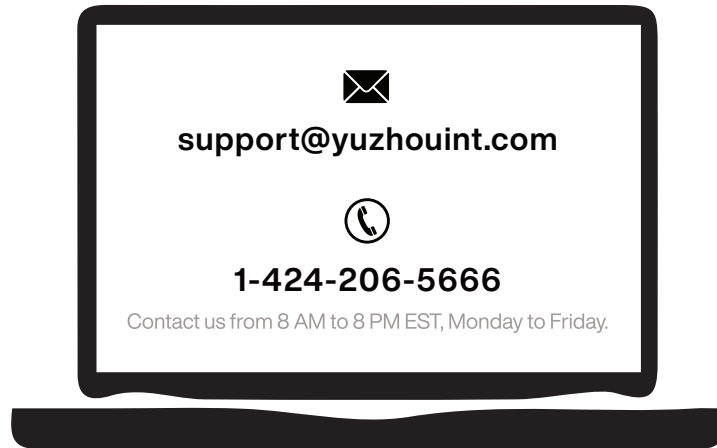
Model No.

**THCL-TD0033/ THCL-TD0034**

---

# Contact Us

## We're here to help you.



Your satisfaction is our top priority. If you encounter any issues with this product, such as missing or damaged parts, we're here to help. Please retain the original packaging and take photos of the packaging and the product, then contact us as soon as possible.

### Warm Tips

1. Carefully read these instructions and keep them for future reference.
2. Check the parts list and confirm everything's there before starting assembly.
3. When assembling, put all parts on a soft, smooth surface like a carpet to avoid scratches.
4. Don't fully tighten screws until all parts are confirmed in place to avoid misalignment.

# Pre-Installation

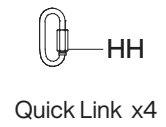
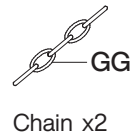
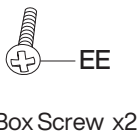
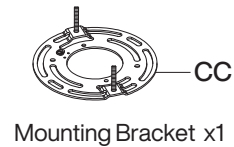
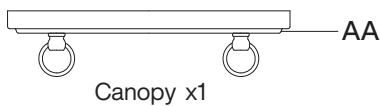
## PLANNING INSTALLATION

Read all instructions before assembly. Before starting installation of this fixture or removal of a previous fixture, disconnect the power by turning off the circuit breaker or by removing the fuse at the fuse box. To avoid damaging this product, assemble it on a soft, non-abrasive surface, such as carpet or cardboard.

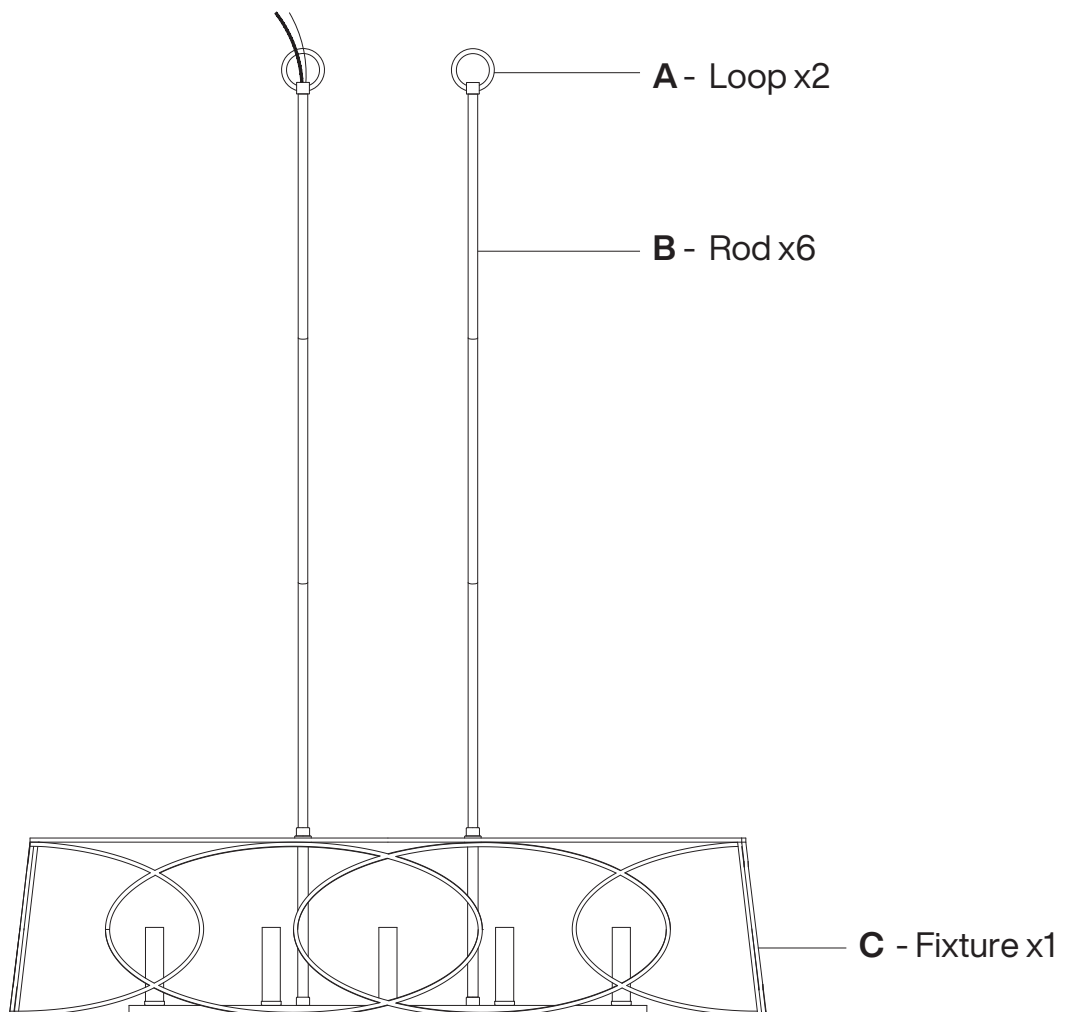


**NOTE:** Keep your receipt and these instructions for proof of purchase.

## HARDWARE INCLUDED



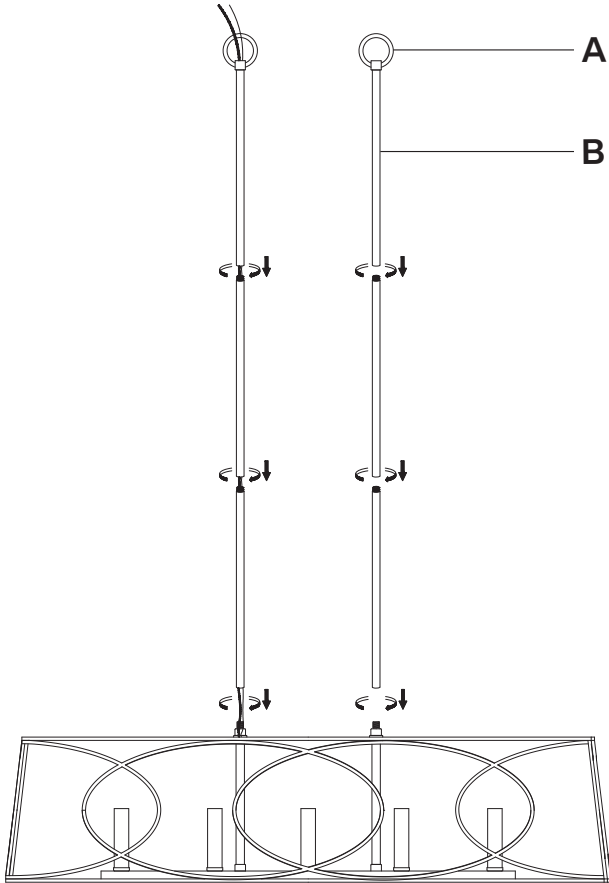
## PACKAGE CONTENTS



# Installation

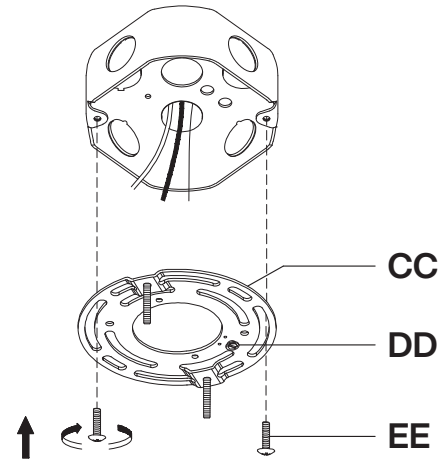
## 1 Securing the rods

- Make sure the electrical wires are safe and through the rod (B) and loop(A).
- Securing the rods(B), depending on desired height to chose rods then securing loop onto the rod.



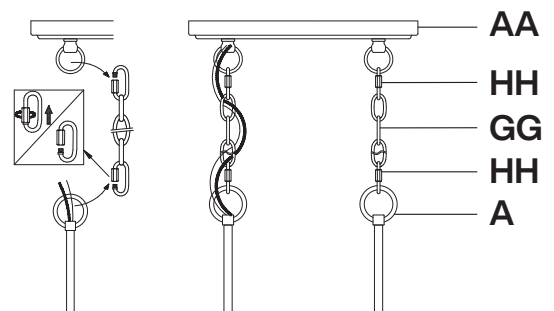
## 2 Attaching the mounting strap to the outlet box

- Mount the mounting bracket (CC) to the outlet box by using two outlet box screws (EE).
- Make sure the threads of the mounting screws are facing out when the mounting bracket (CC) is attached to the outlet box.



## 3 Determining the correct length of chain

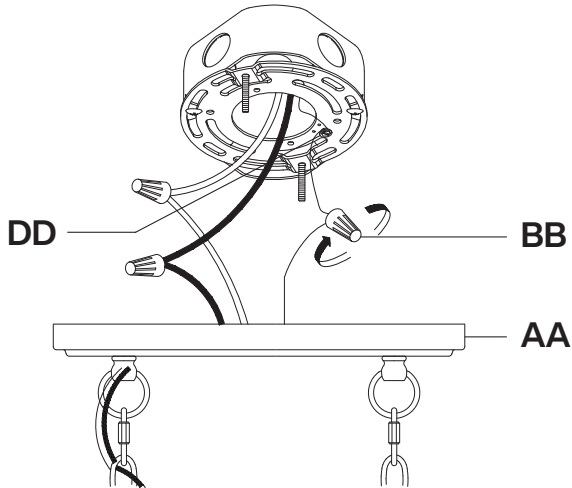
- Adjust the length of the chain (GG), if necessary, use pliers (not included) to spread links of chain (GG) apart and remove any links to achieve desired hanging height.
- Connect the chain to the fixture loop (A) and canopy loop(AA) by K/D ring (HH).



# Installation

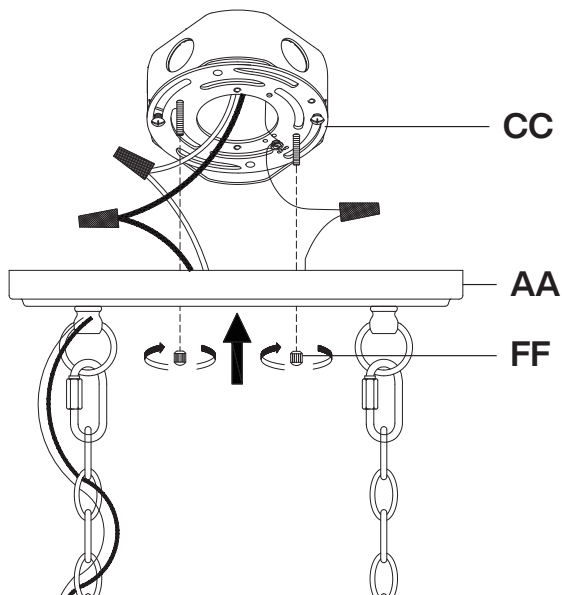
## 4 Making the electrical connections

- Weave the fixture wires up through the chain, the canopy(AA).
- Connect the wire without writing on it(with raised ribs) from the fixture to the white wire (neutral wire) from the supply circuit.
- Connect the wire with writing on it from the fixture to the black wire(live wire) from the supply circuit.
- Cover the connections by using provided wire connectors (BB). Position wires back inside outlet box.



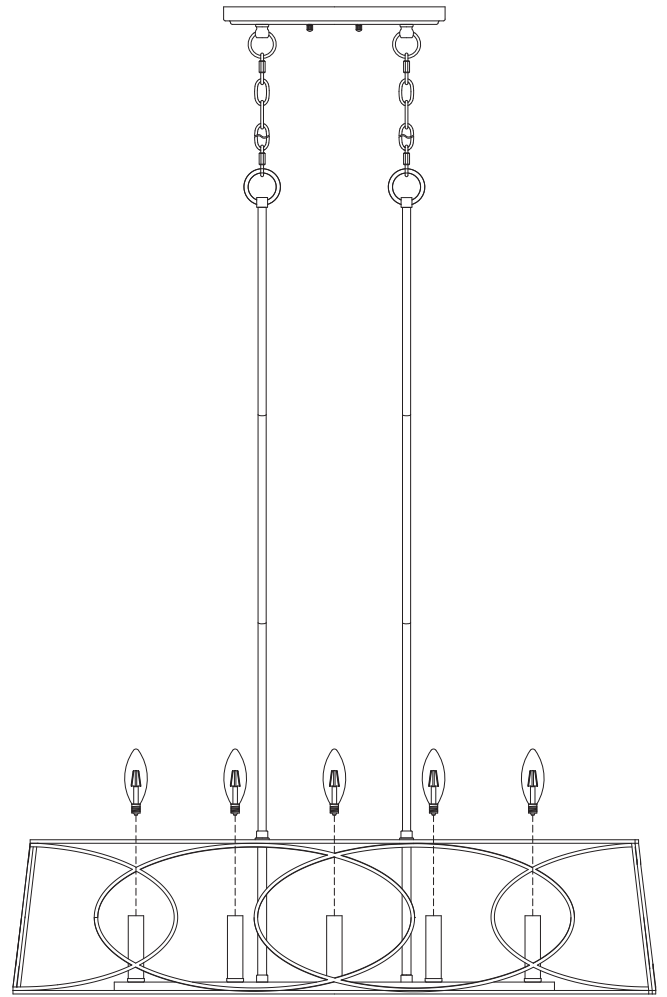
## 5 Securing the canopy

- Place the canopy (AA) over the outlet box. Align the mounting screws so that they protrude through the appropriate holes on the canopy (AA). Screw the lock nuts (FF) onto the mounting screws.



## 6 Installing Bulbs

- Install light bulbs(not included). Use 60-watt max. candelabra-base incandescent bulbs.



**Thank you for your support!**

