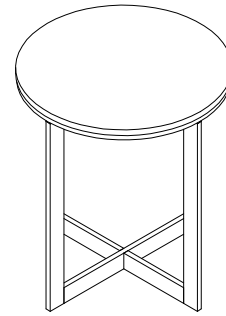


ASSEMBLY INSTRUCTIONS



201-918

TOOLS REQUIRED:

- Allen Wrench (Provided, Part D)
- ScrewDriver (Not Provided)

BEFORE YOU START:

1. Check the parts against the parts list to make sure all items are present.
2. Assemble your furniture on a soft, flat surface to avoid scratching the finish.
3. **CAUTION:** Do not over tighten screws, nuts or bolts during assembly.
4. Your furniture may require occasional tightening.

INSTRUCTIONS:

1. Turn the table upside down on a clean soft surface.
2. Attach four metal leg to the metal rail using Allen Bolt (A) and the Allen Wrench (D). As Shown in Figure 1. (Do not over tighten bolts during assembly)
3. Attach the metal legs to the top using Bolt (A), lock washer (B), flat washer (C) and the Allen Wrench (D). As Shown in Figure 2. (Do not over tighten bolts during assembly)
4. Tighten all bolts before setting table back upright.

Figure 1

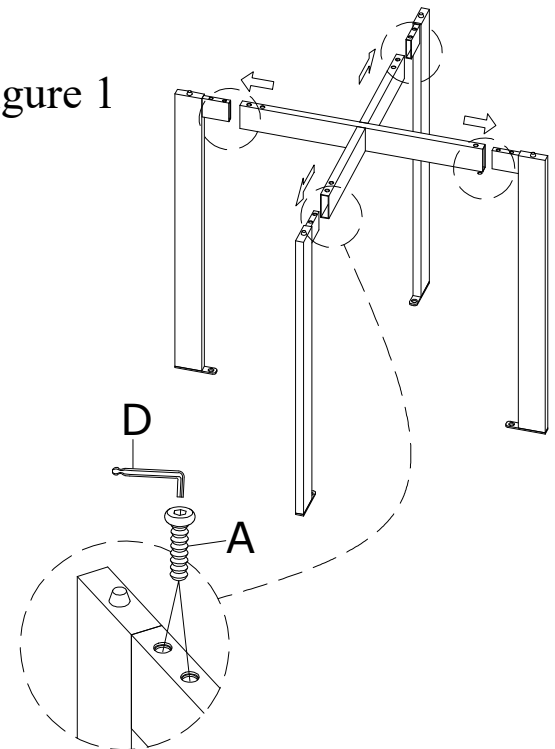
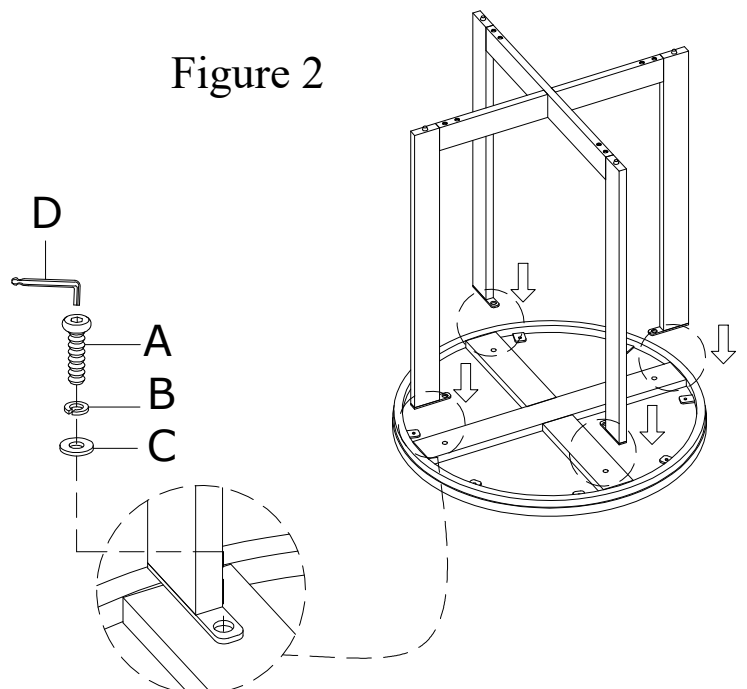


Figure 2



HARDWARE LIST

| NO. | Drawing | Description | Q'TY |
|-----|---------|--|--------|
| A | | Allen Bolt ($\phi 1/4 \times 5/8$ ") | 12 pcs |
| B | | Lock Washer $\phi 1/4$ " | 4 pcs |
| C | | Flat Washer $\phi 1/4$ "*16mm | 4 pcs |
| D | | Allen Wrench | 1 pc |